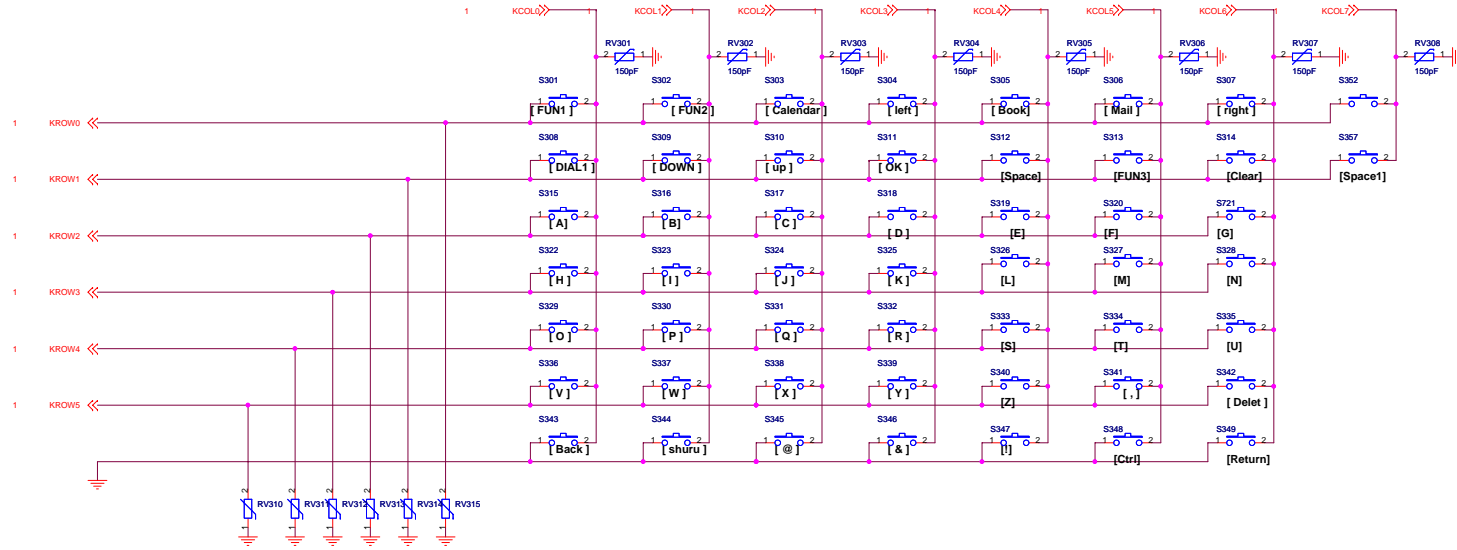
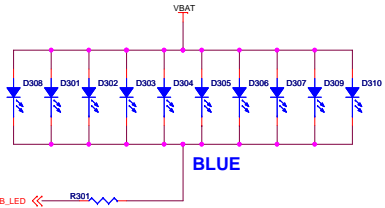


THIS DOCUMENT CONTAINS PROPRIETARY INFORMATION AND SHALL NOT BE DUPLICATED OR DISCLOSED TO OTHERS WITHOUT THE PRIOR WRITTEN PERMISSION OF IWIT.		IWIT (Shanghai) Co., Ltd.	
Design: Kaney	Date: 2011	Title: PMU	
Check: <Check>	Date: <Date2>	DOC No.: <Doc No>	
Approval: <Approval>	Date: <Date3>	Size: A3	Rev: V1
			Sheet 2 of 10

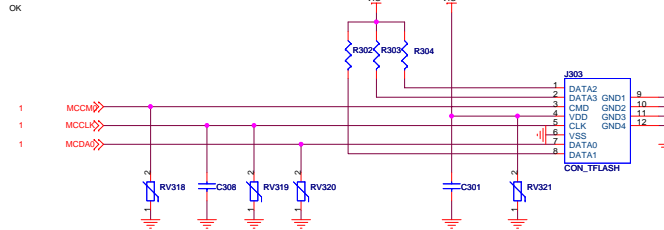
Keypad



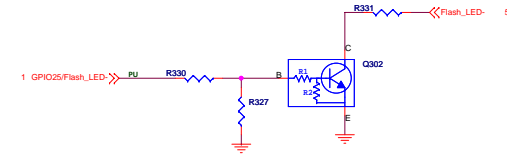
KB LED



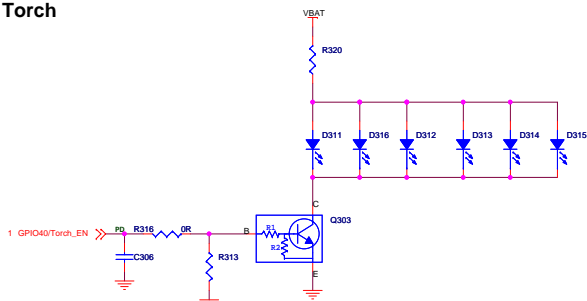
T-FLASH



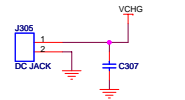
Flash LED



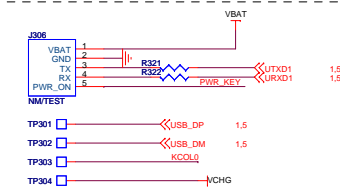
Torch



CHARGER PORT

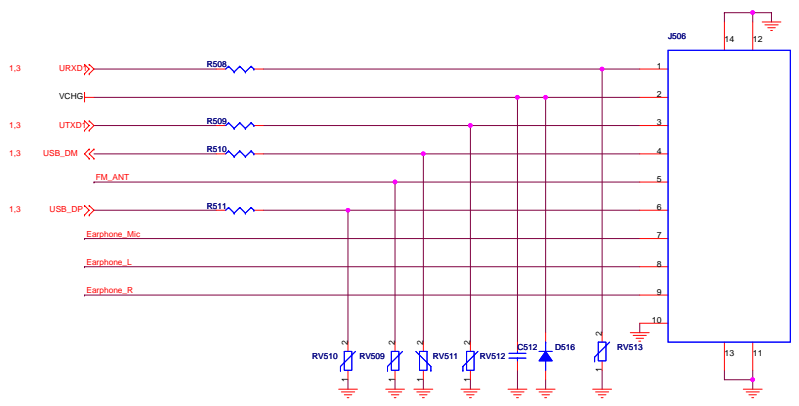
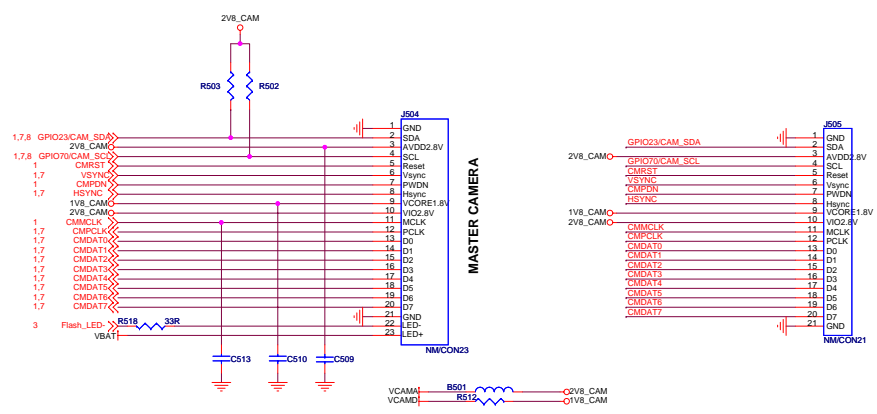
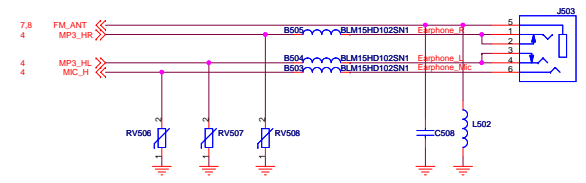
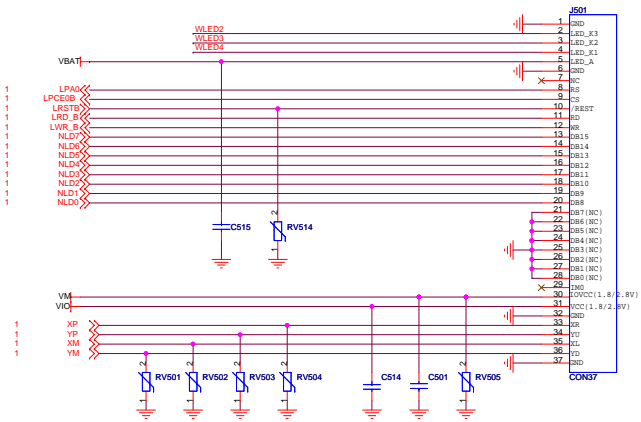


Test Pionts



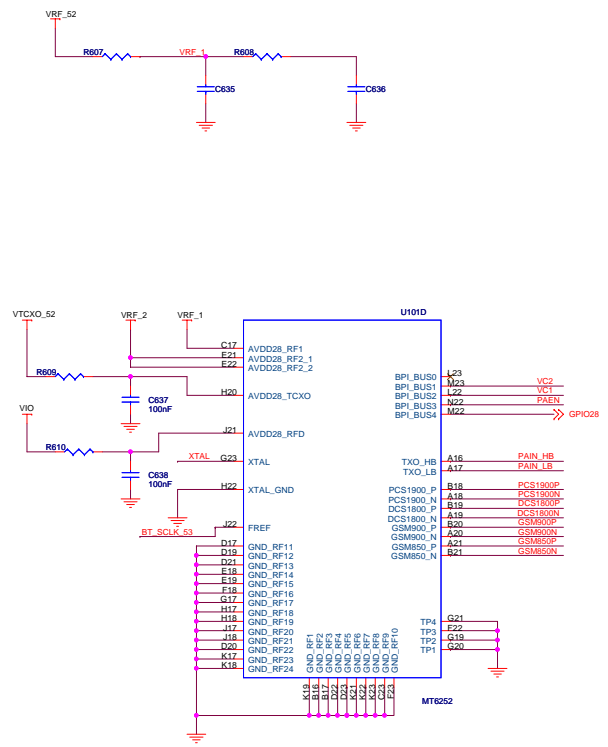
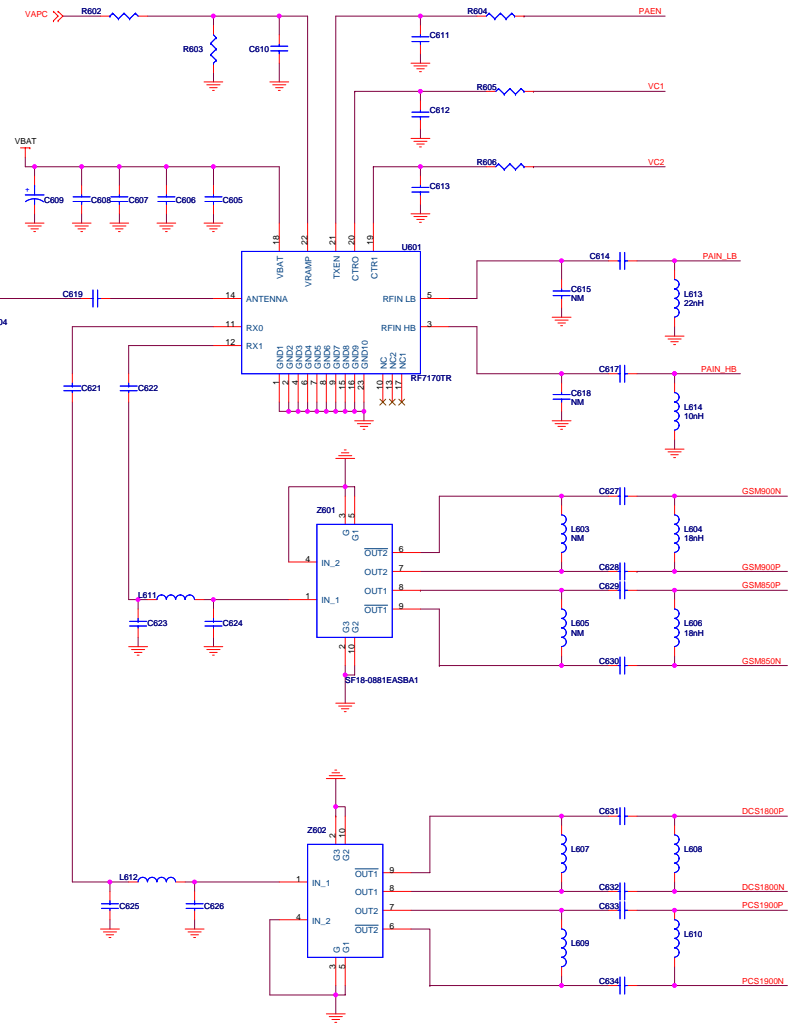
FIDUCIAL MARK





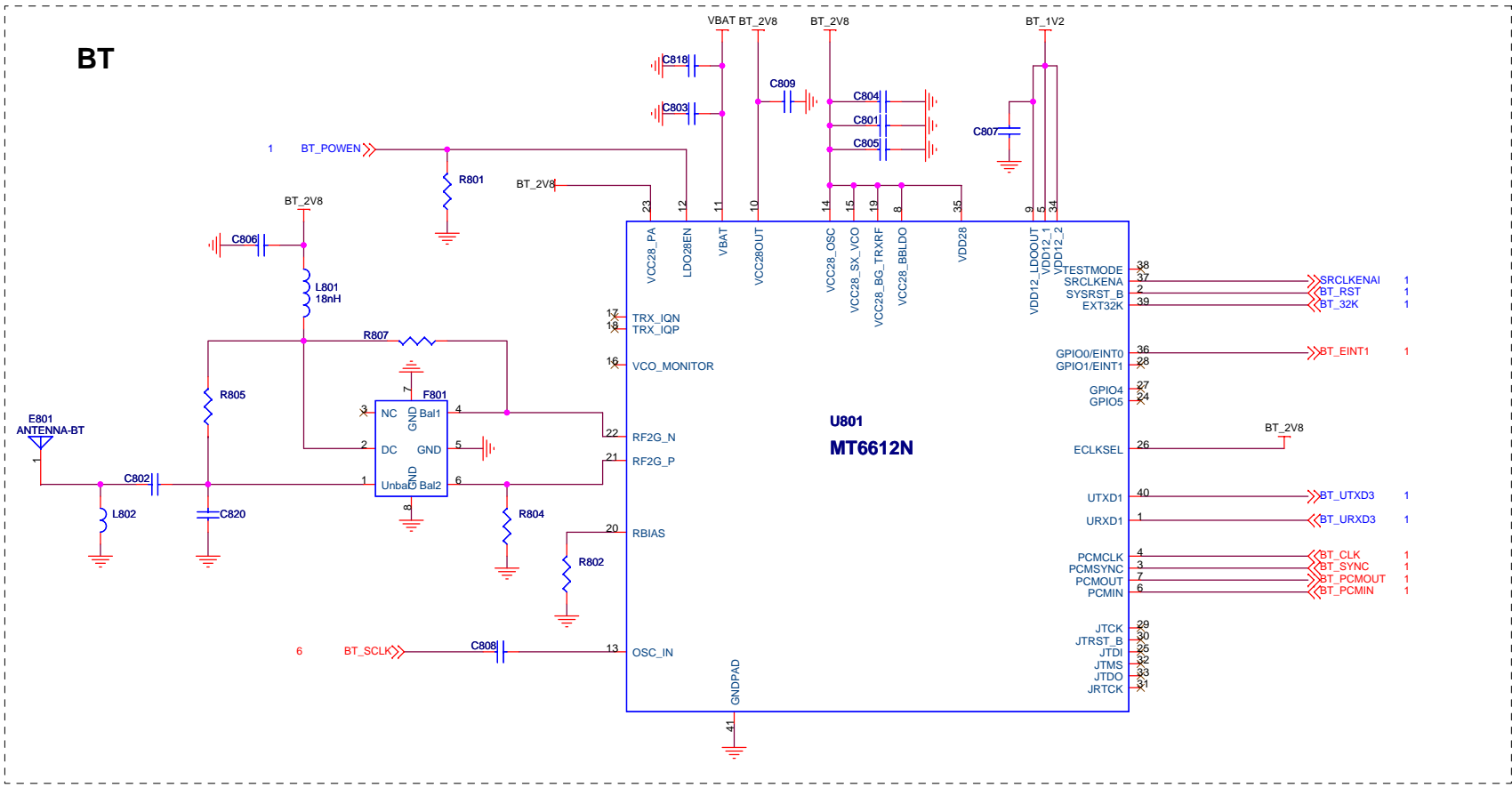
THIS DOCUMENT CONTAINS PROPRIETARY INFORMATION AND SHALL NOT BE DUPLICATED OR DISCLOSED TO OTHERS WITHOUT THE PRIOR WRITTEN PERMISSION OF IWIT.			IWIT (Shanghai) Co., Ltd.		
Design1	Rev015	Date1: 2011	Title: LCM+CAM+IO		
Check1	<Check>	Date1 <Date2>	DOC No.1 <Doc No>		
Approval	<Approval>	Date1 <Date3>	Size1: A3	Rev1: V1	Sheet 5 of 10

GSM:880-915MHz;935-960MHz
 DCS:1710-1785MHz;1805-1880MHz
 PCS:1805-1910MHz;1930-1990MHz
 GSM850:824-849MHz;869-894MHz

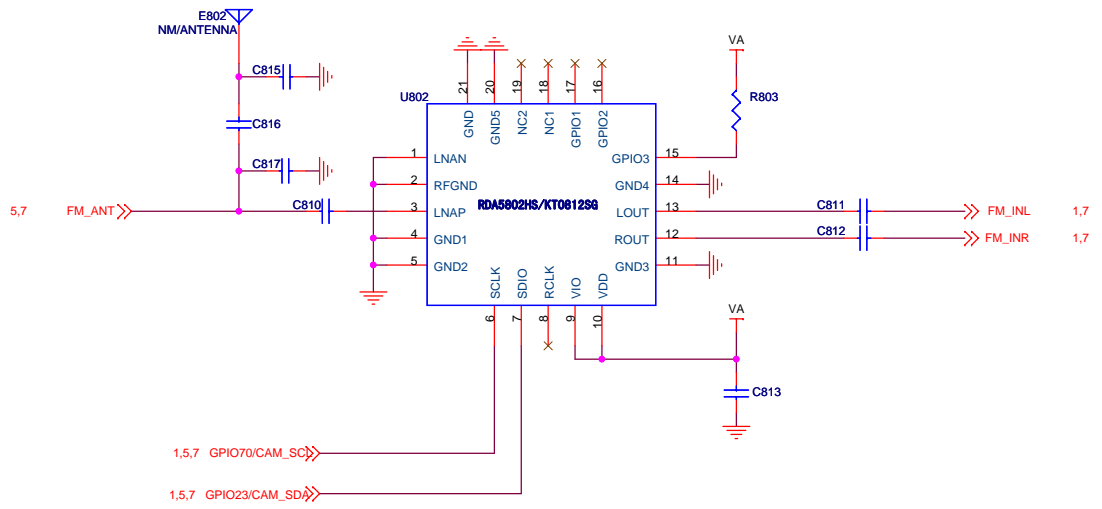


THIS DOCUMENT CONTAINS PROPRIETARY INFORMATION AND SHALL NOT BE REPRODUCED OR DISCLOSED TO OTHERS WITHOUT THE PRIOR WRITTEN PERMISSION OF IWIT.				IWIT (Shanghai) Co., Ltd.	
Design ₁	Seven	Date ₁	2011	Title ₁	Version Control
Check ₁	<Check>	Date ₂	<Date2>	DOC No. ₁	<Doc No>
Approval ₁	<Approve>	Date ₃	<Date3>	Size ₁	A3 Rev ₁ V1 Sheet 6 of 10

BT



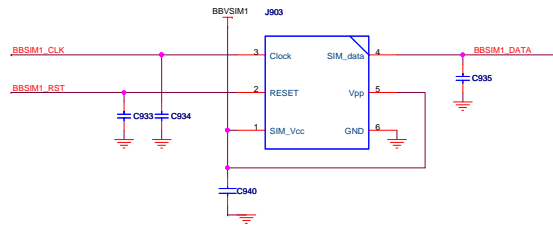
FM



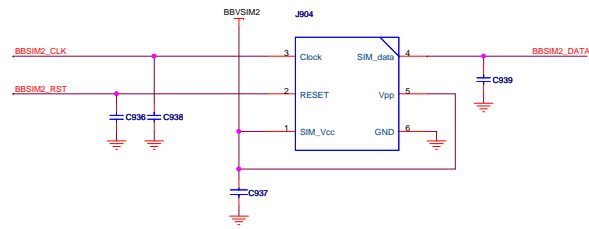
THIS DOCUMENT CONTAINS PROPRIETARY INFORMATION AND SHALL NOT BE DUPLICATED OR DISCLOSED TO OTHERS WITHOUT THE PRIOR WRITTEN PERMISSION OF IWIT.			IWIT (Shanghai) Co., Ltd .		
Design:	Kaneys	Date:	2011	Title:	BT+FM
Check:	<Check>	Date:	<Date2>	DOC No.:	<Doc No>
Approval:	<Approval>	Date:	<Date3>	Size:	A3 Rev: V1 Sheet 8 of 10

SIM

SIM 1



SIM 2



<small>THIS DOCUMENT CONTAINS PROPRIETARY INFORMATION AND SHALL NOT BE DUPLICATED OR DISCLOSED TO OTHERS WITHOUT THE PRIOR WRITTEN PERMISSION OF IWIT.</small>			IWIT (Shanghai) Co., Ltd.		
Designs	Revis	Dates	Title		
		2011	SIM		
Check	<Check>	Date	DOC No. <Doc No>		
Approval	<Approval>	Date	Size	Rev	Sheet
			A3	V1	9 of 10