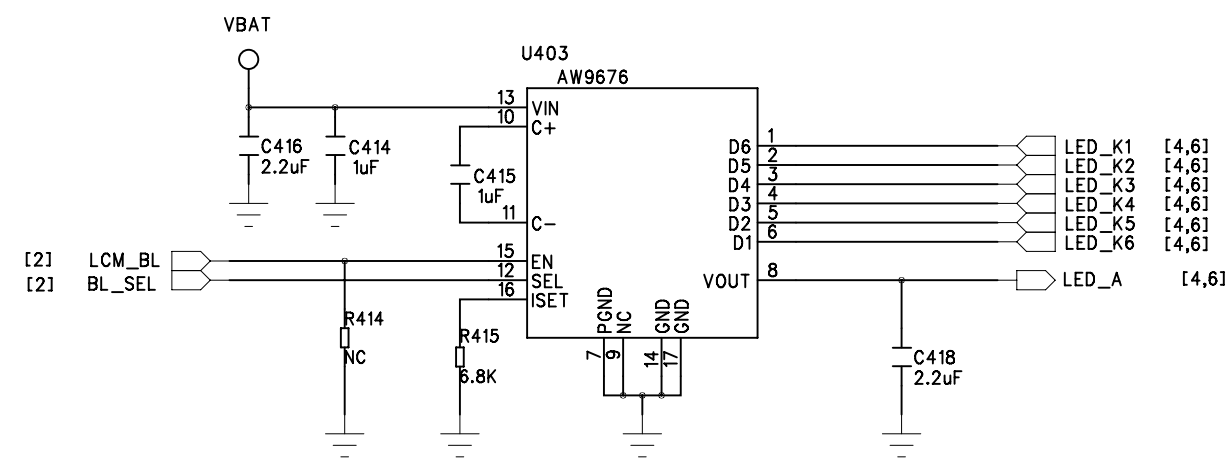
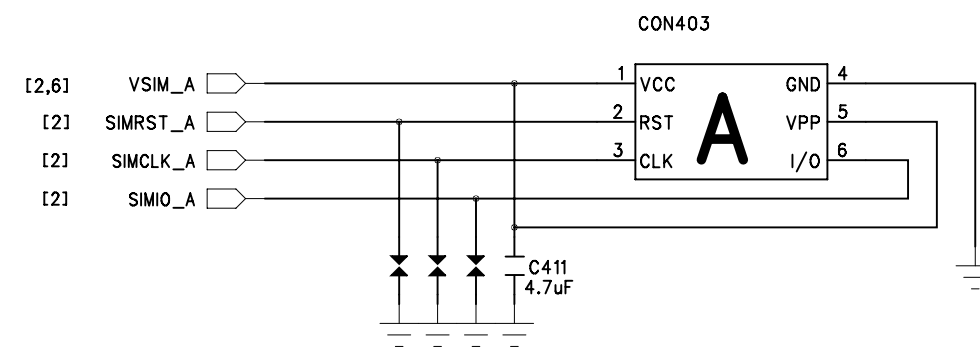


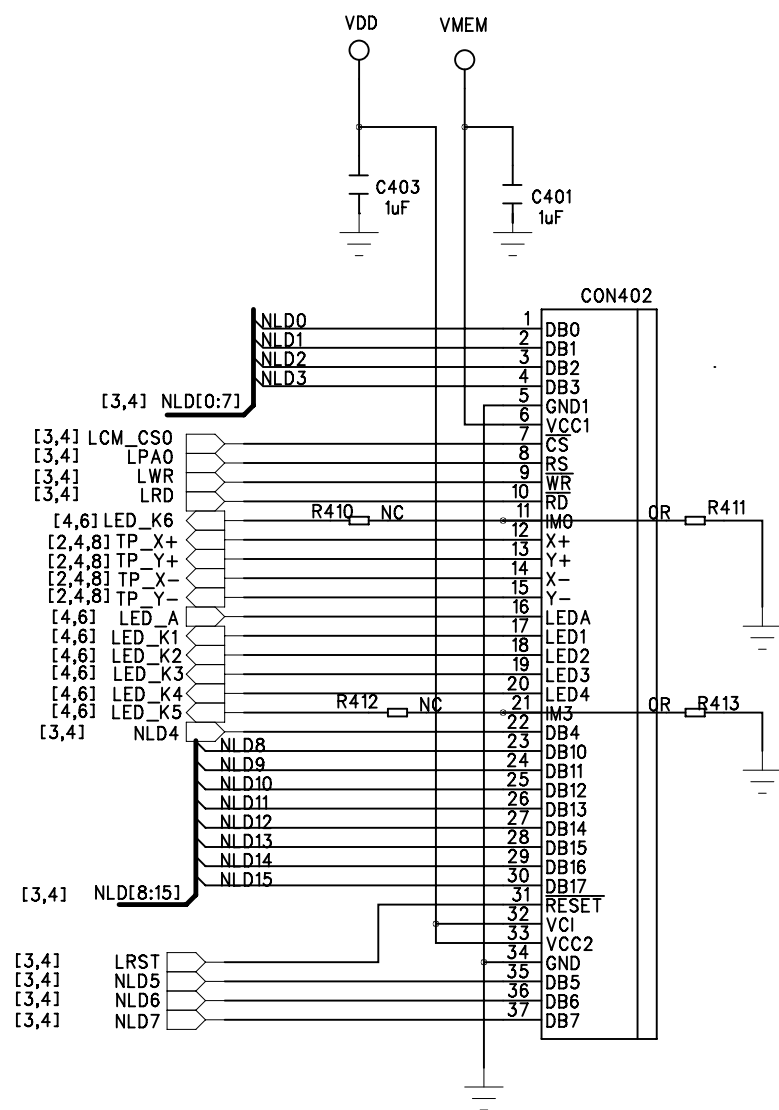
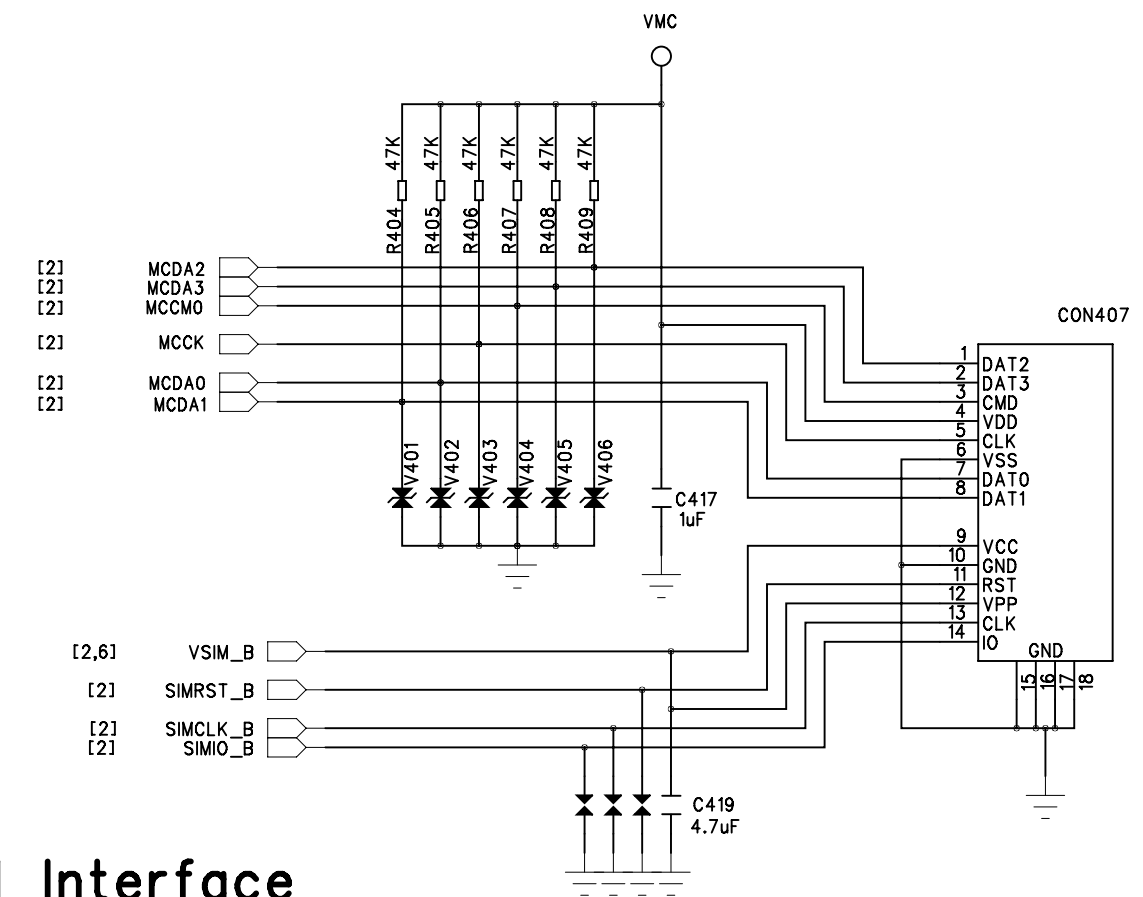
Sensor



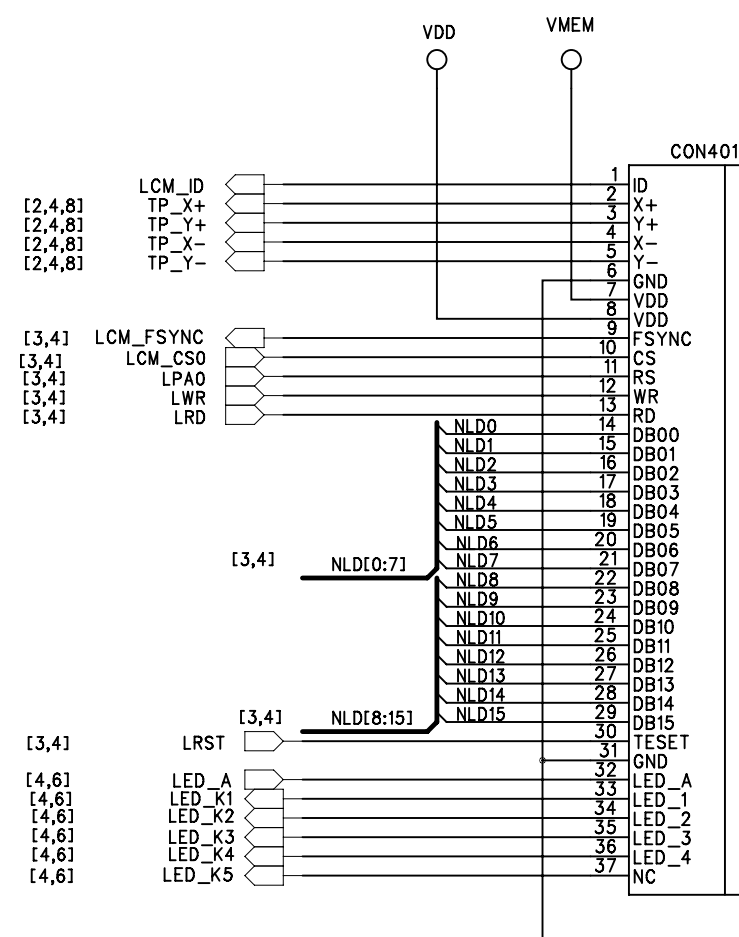
LCD BL Drive



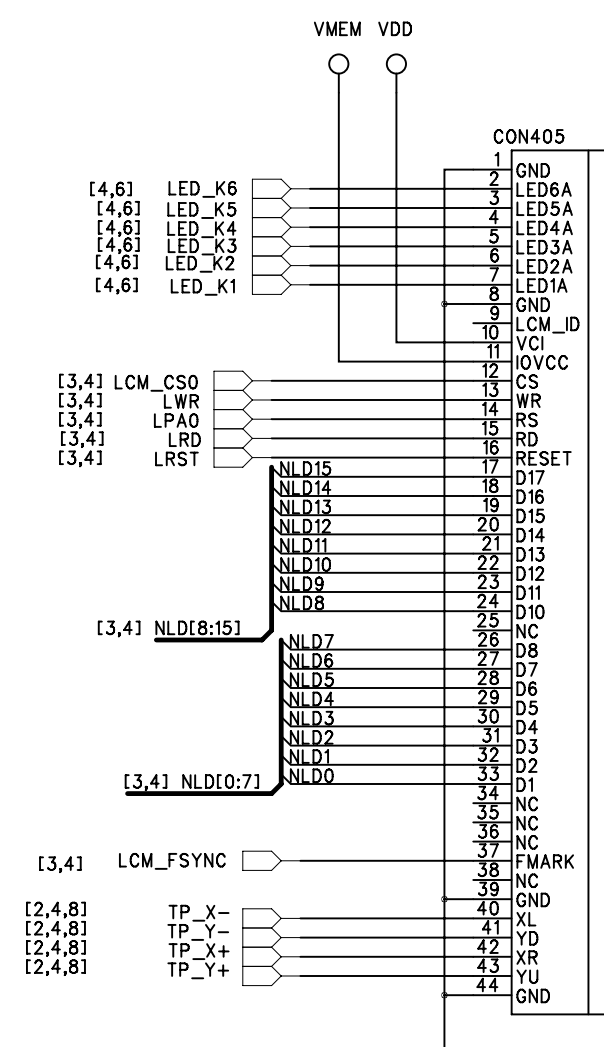
Dual SIM Interface



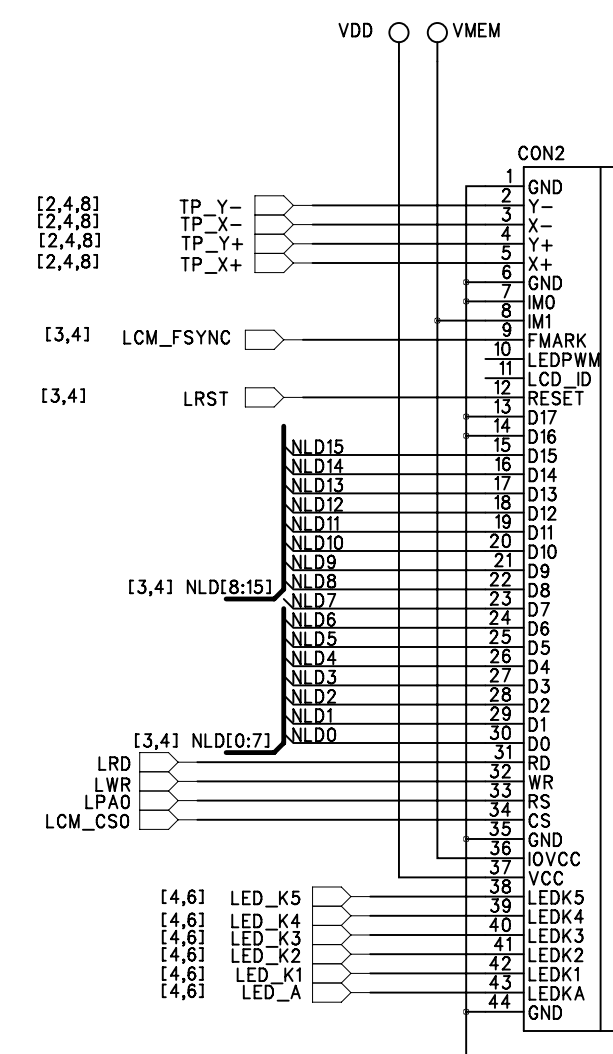
2.8QVGA



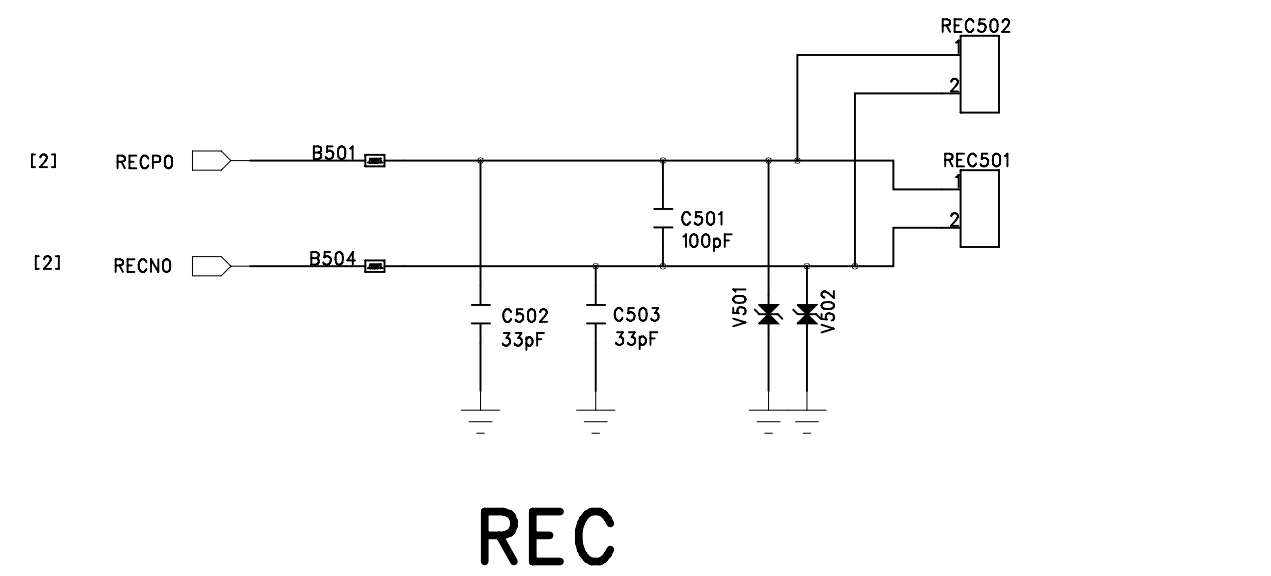
3.0QVGA



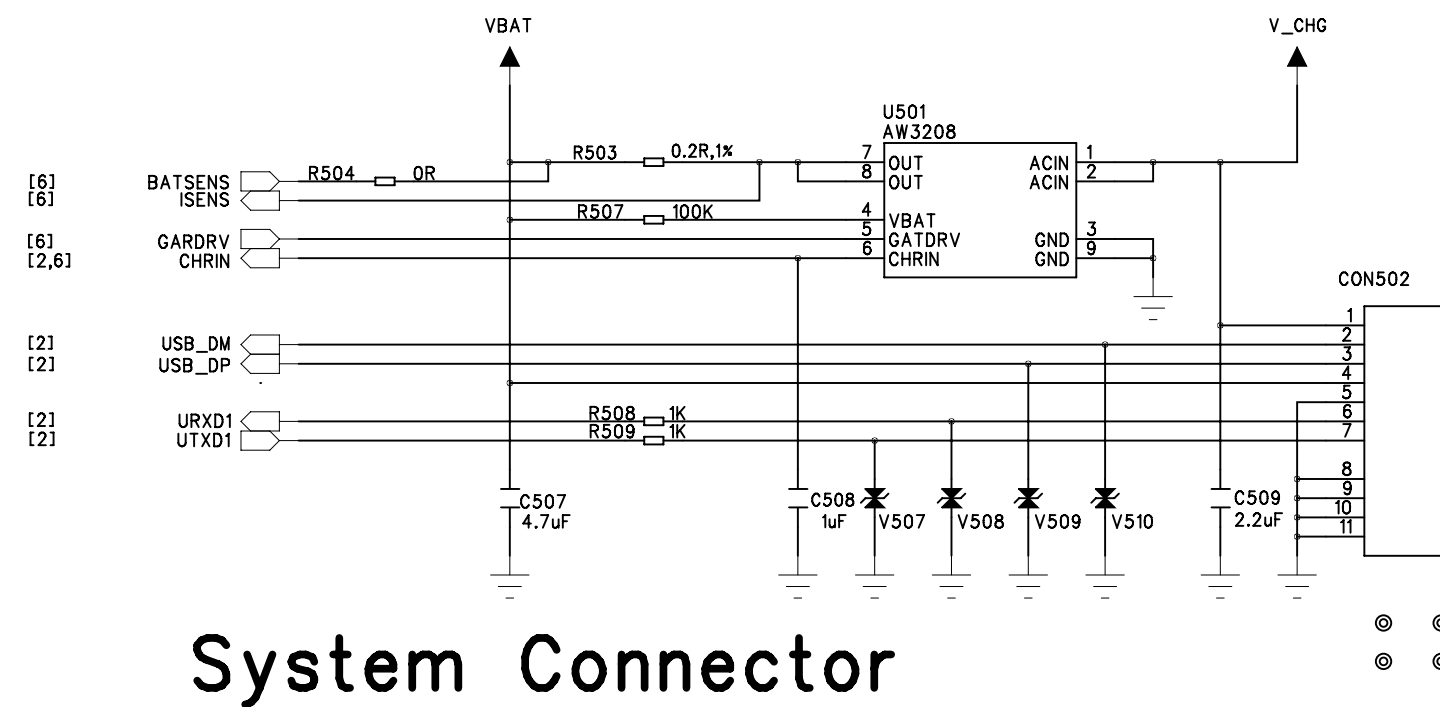
3.2HVGA



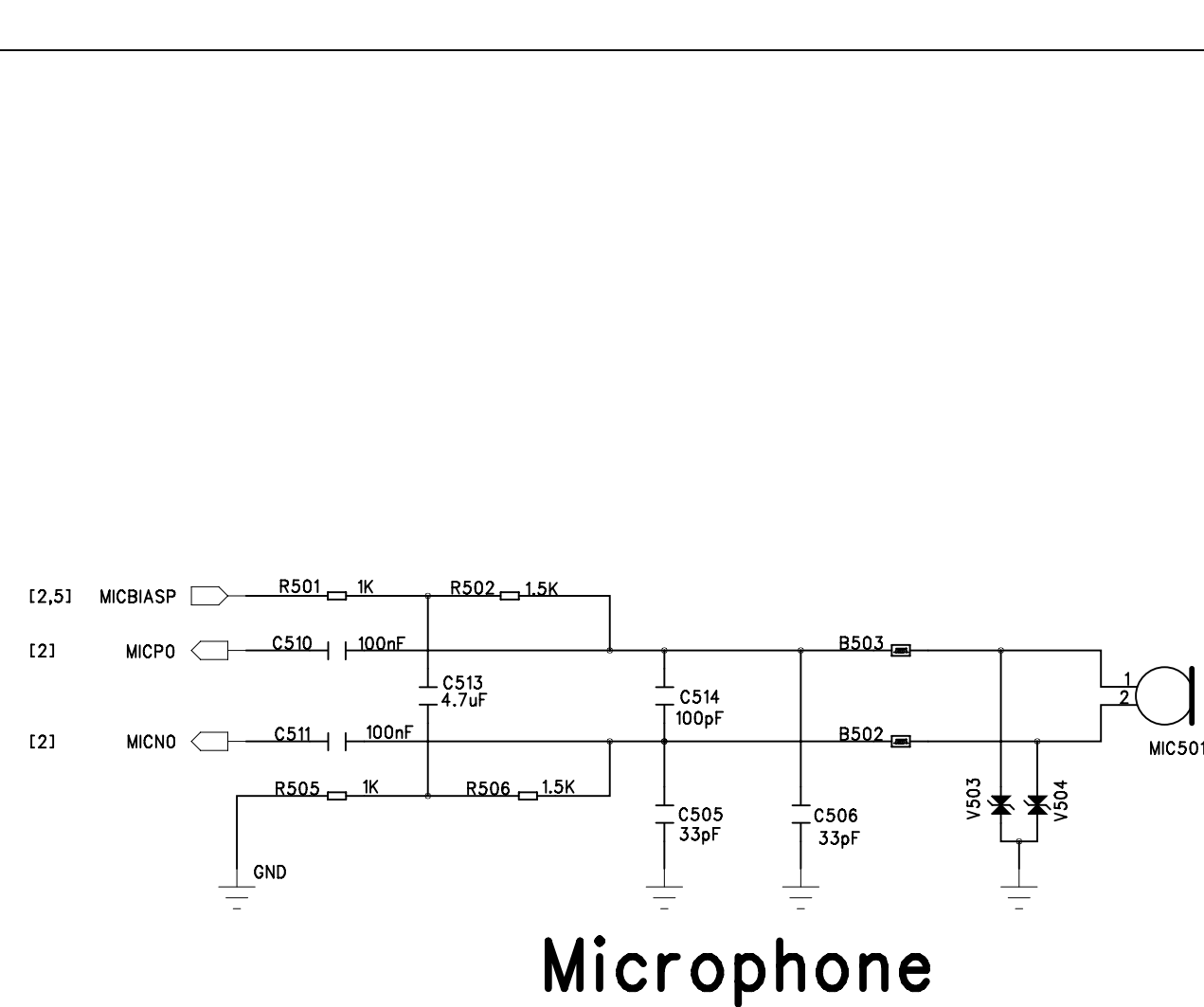
3.2WQVGA



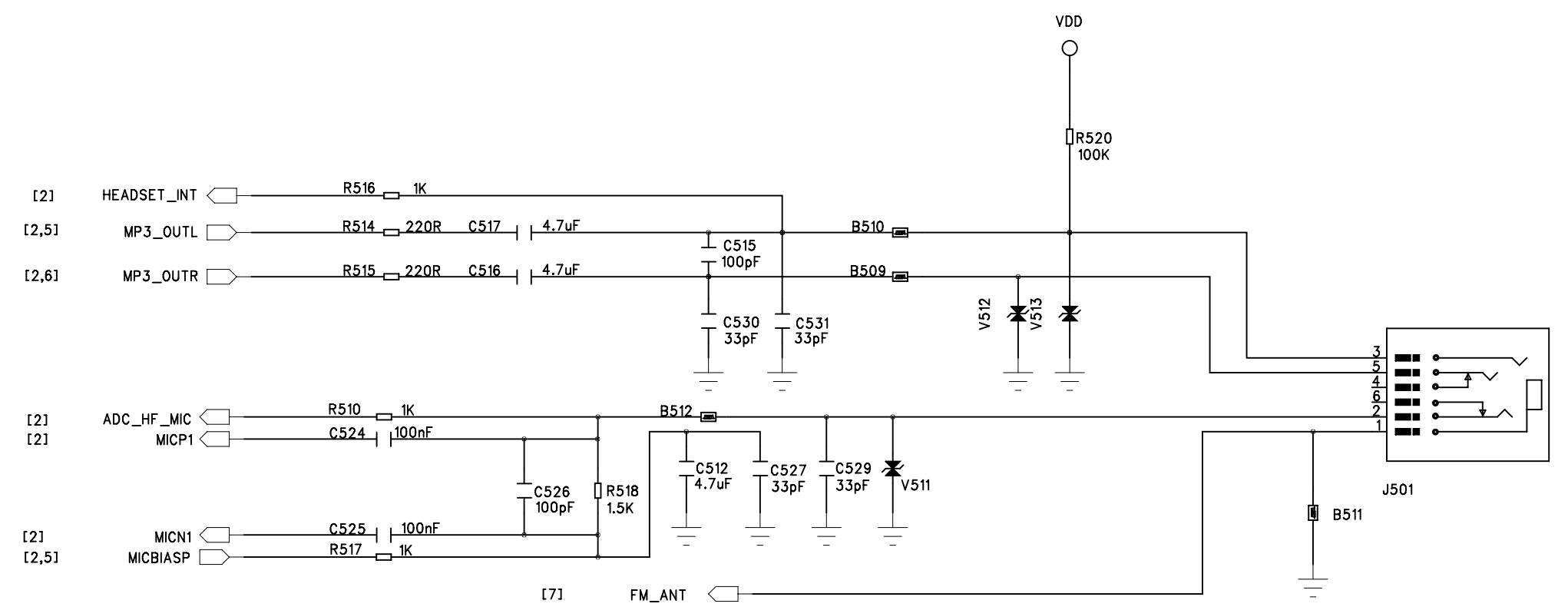
REC



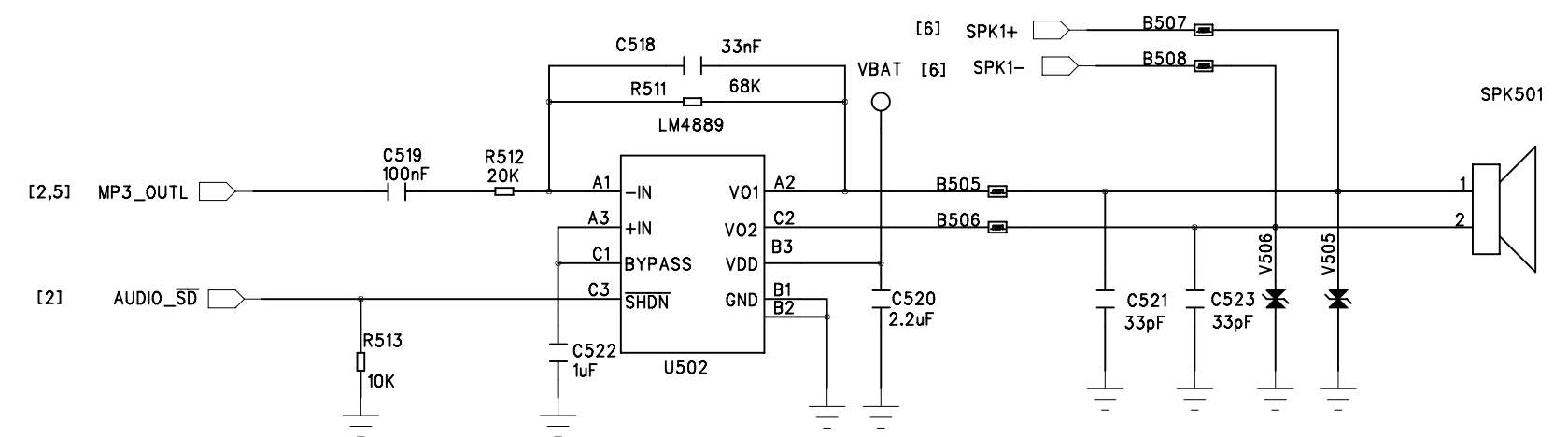
System Connector



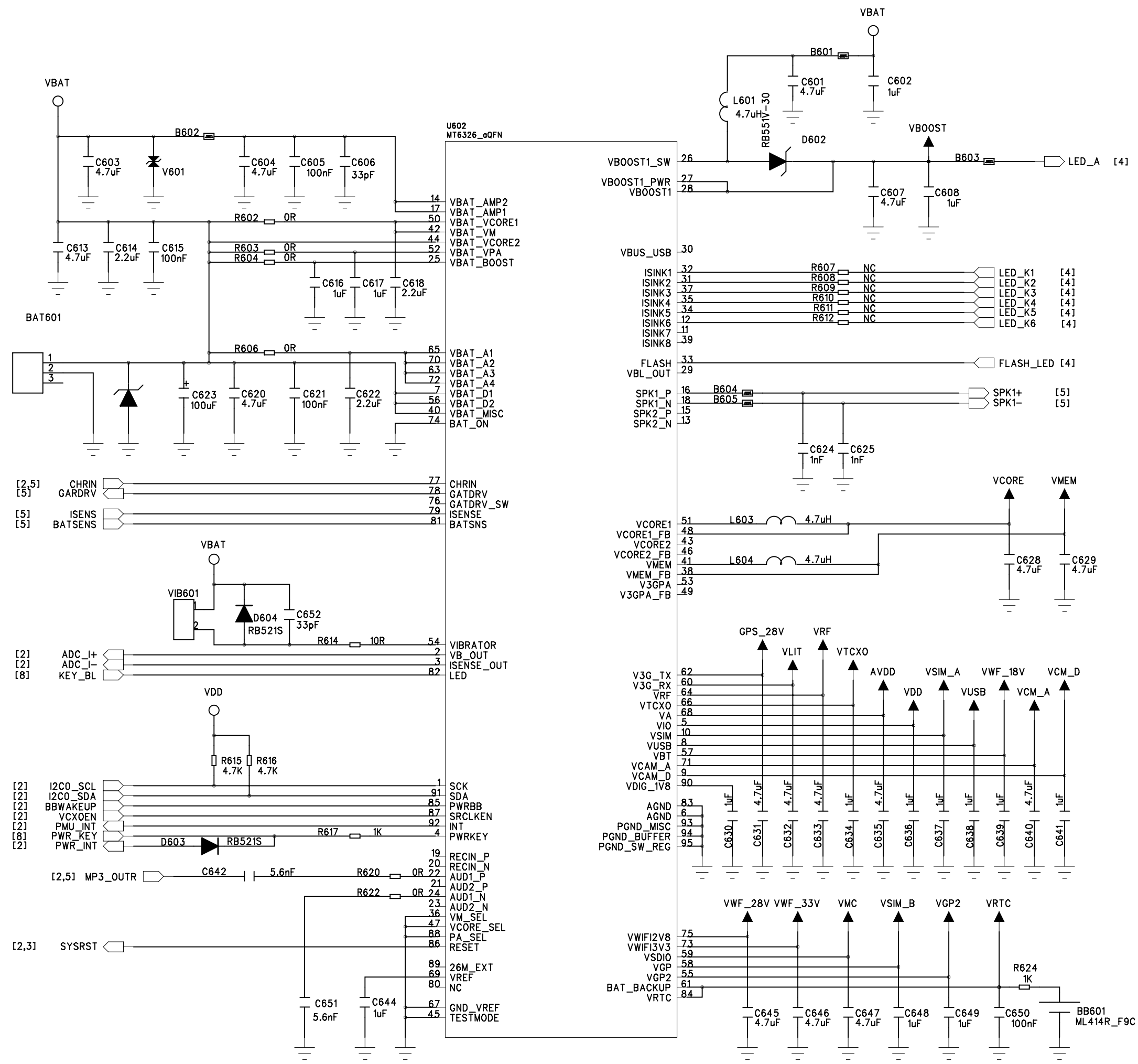
Microphone



Earphone Connector



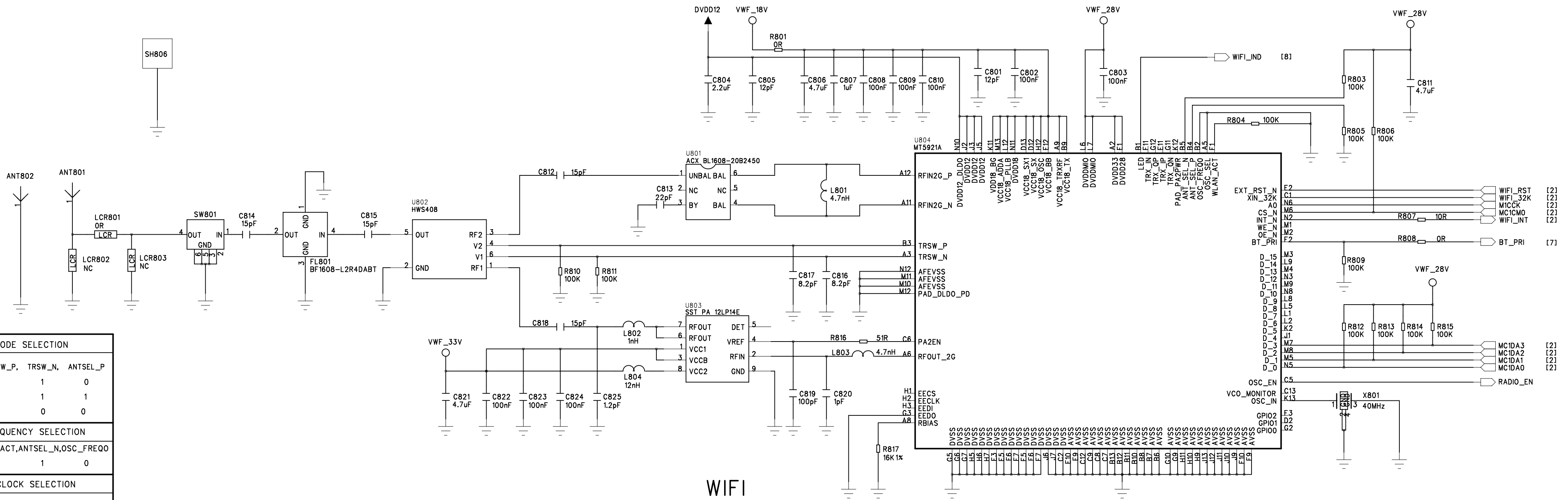
Audio PA



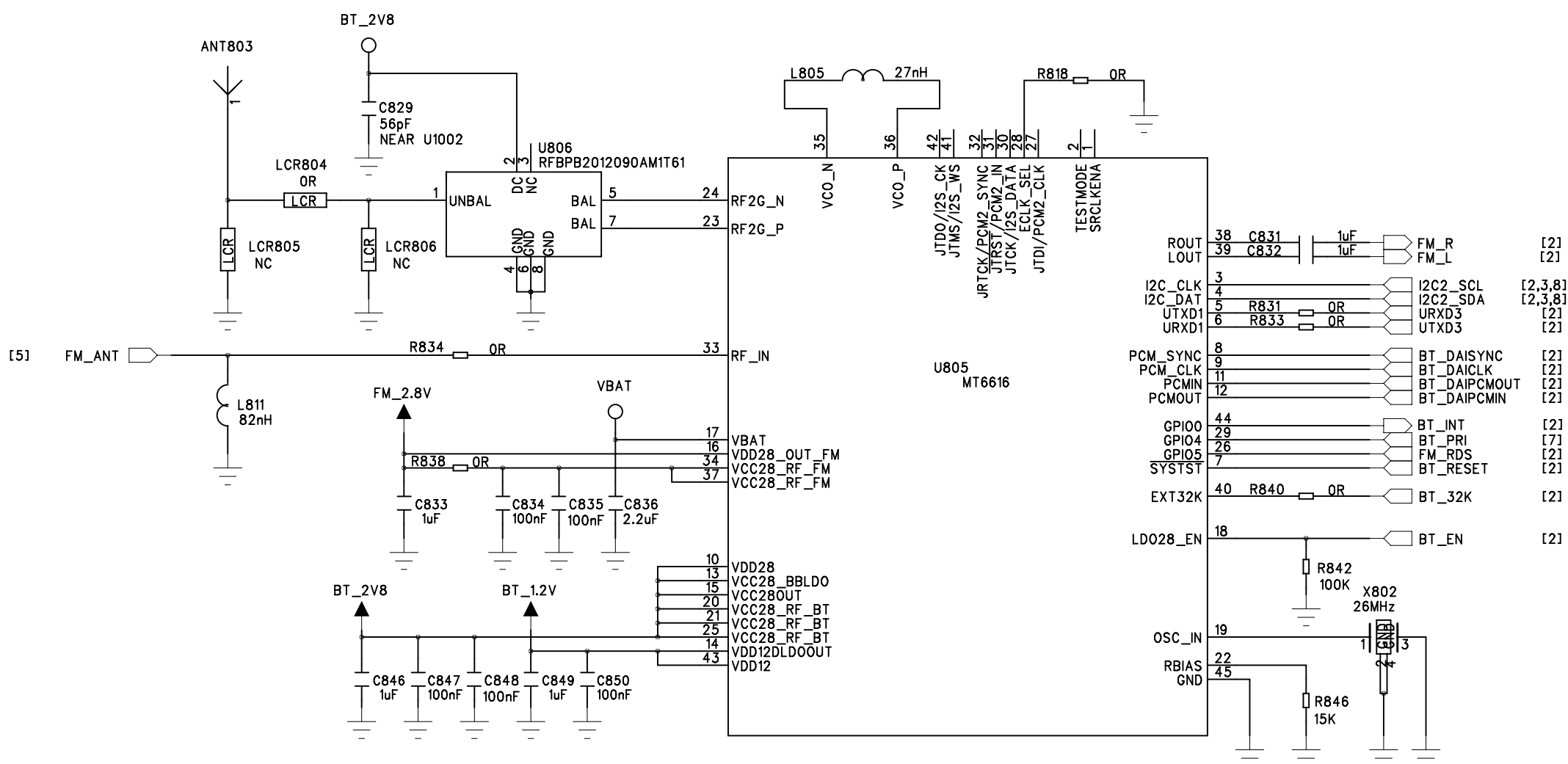
POWER IC

DRAWN	KEVIN	DATE	20111107	MODEL:	E1007	Sheet 6 of 8	
CHECKED		TIME		TITLE:	6.POWER	VERSION	V1.0

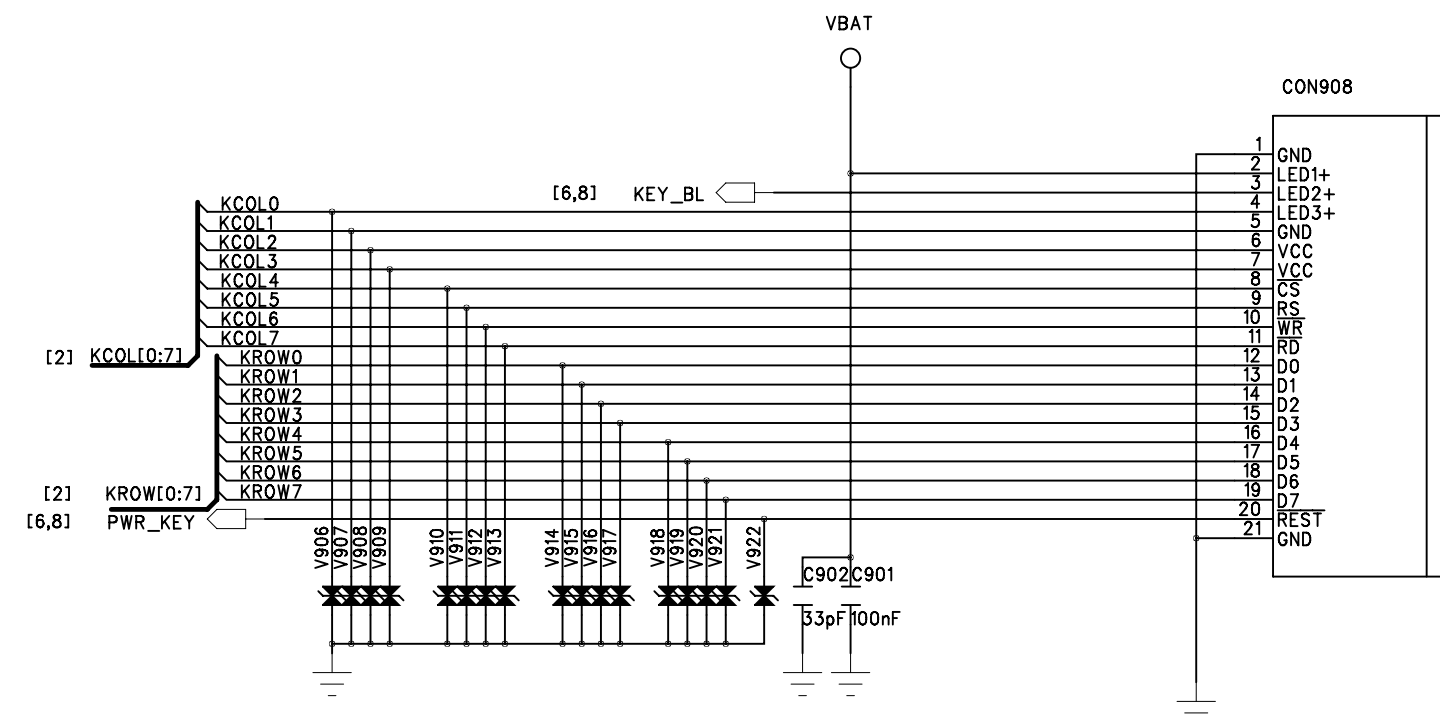
MODE SELECTION			
TRSW_P,	TRSW_N,	ANTSEL_P	
EHP16:	0	1	0
EHP18:	0	1	1
SDIO:	0	0	0
FREQUENCY SELECTION			
WLAN_ACT,ANTSEL_N,OSC_FREQ0			
40MHZ:	0	1	0
CLOCK SELECTION			
OSC:	1		
CRYSTAL:	0		



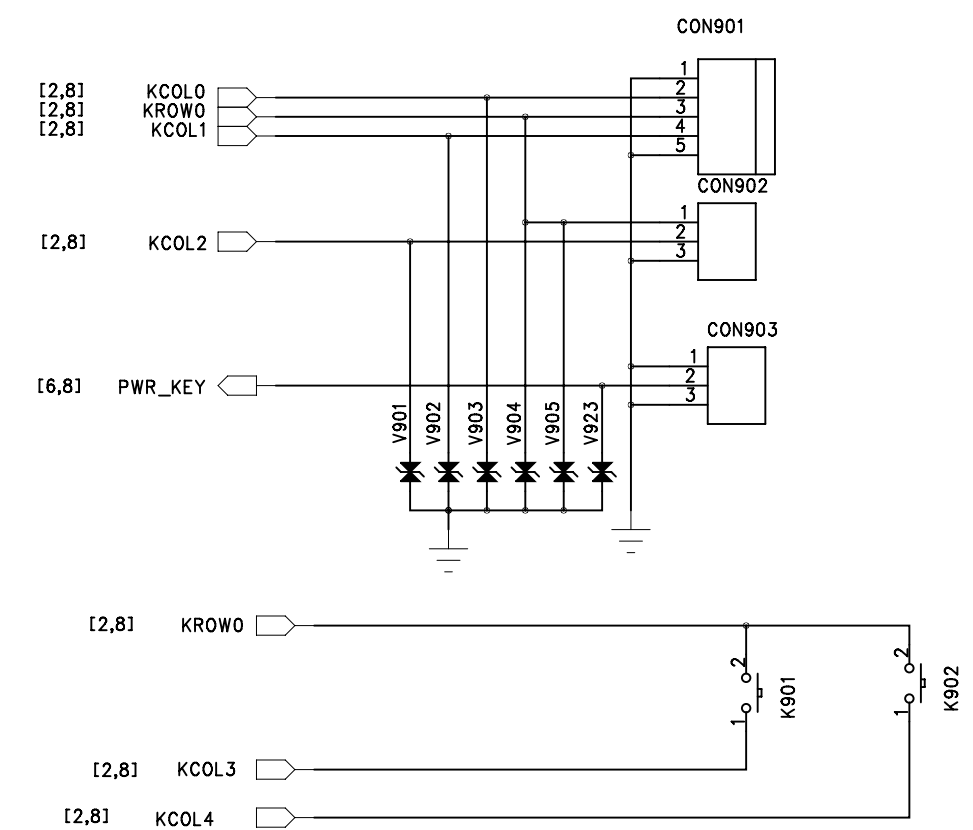
WIFI



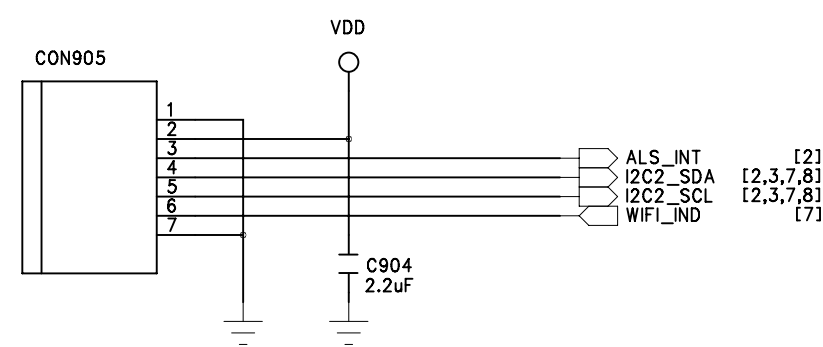
BlueTooth



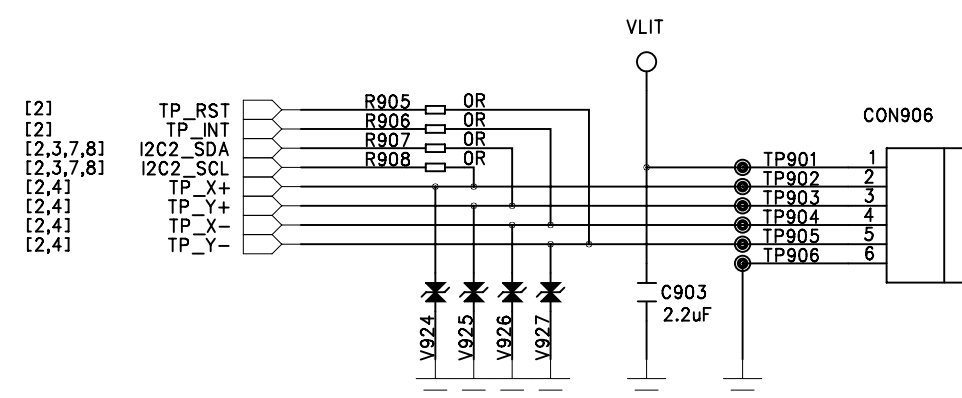
KEY CONNECTOR



SideKey



ALS Connector



TP Connector

