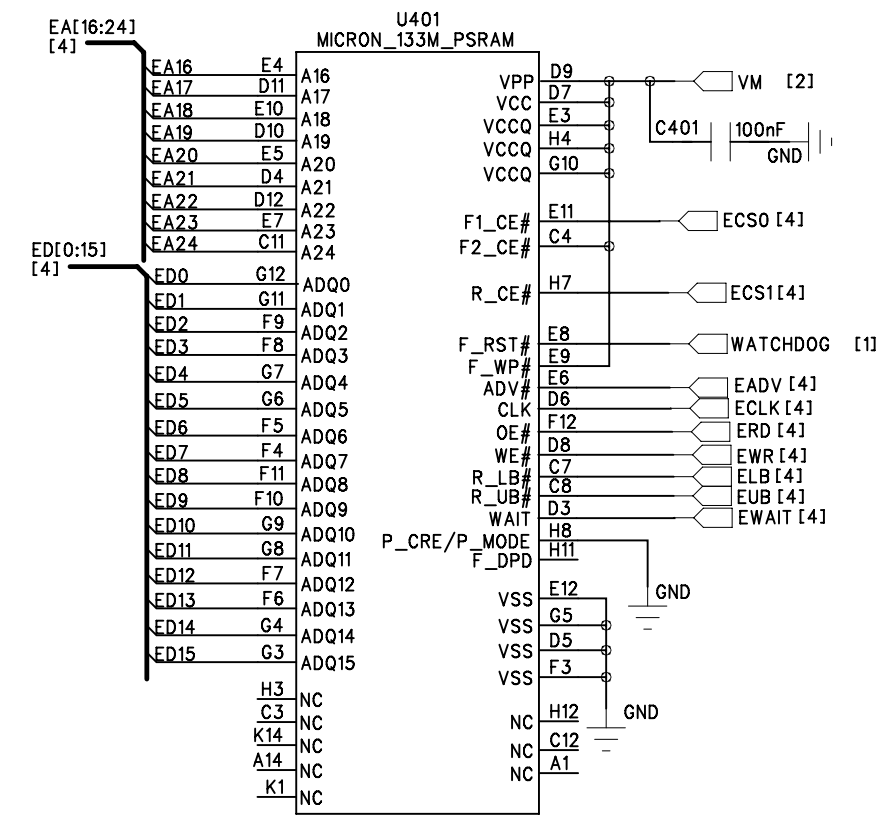
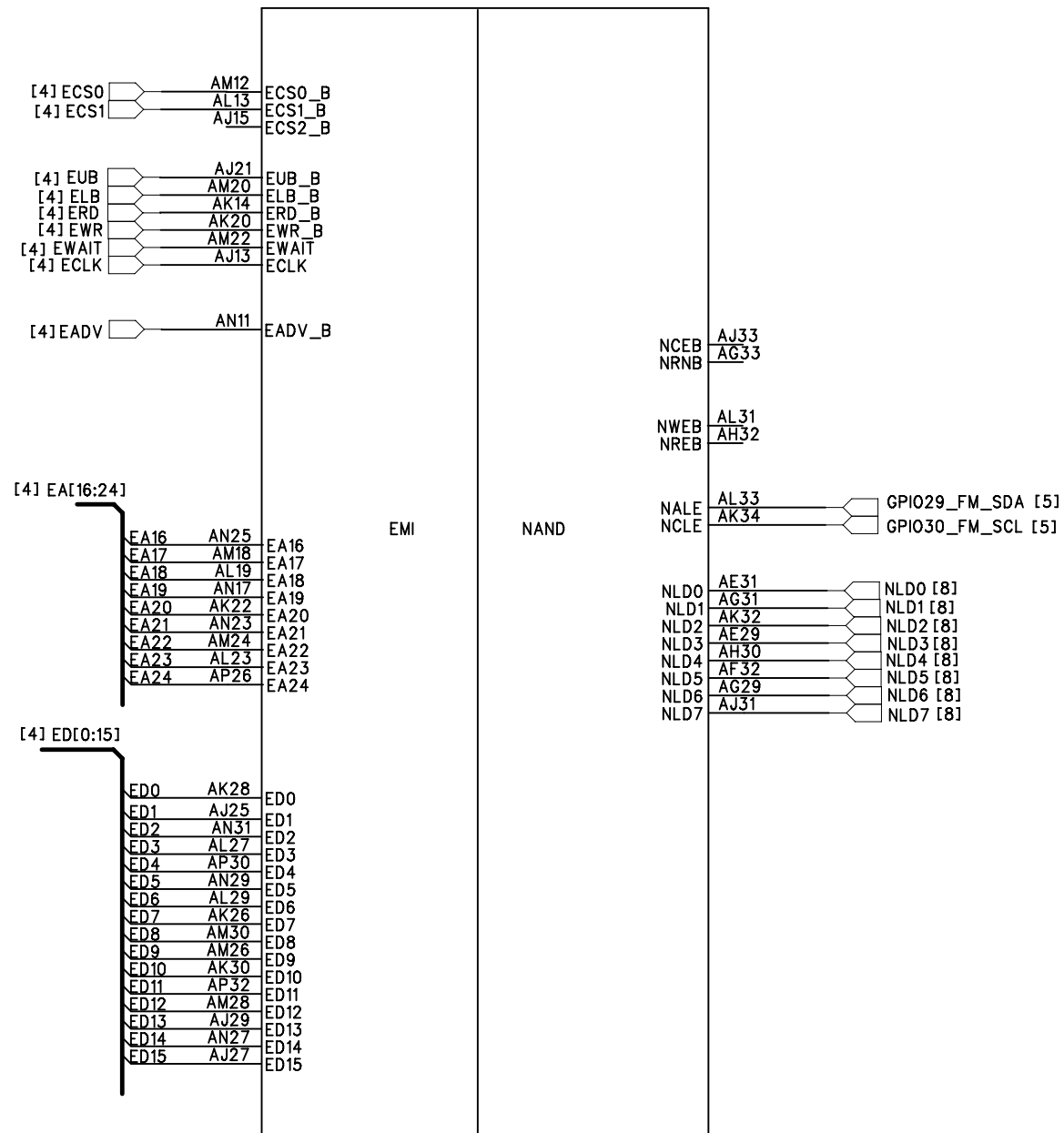
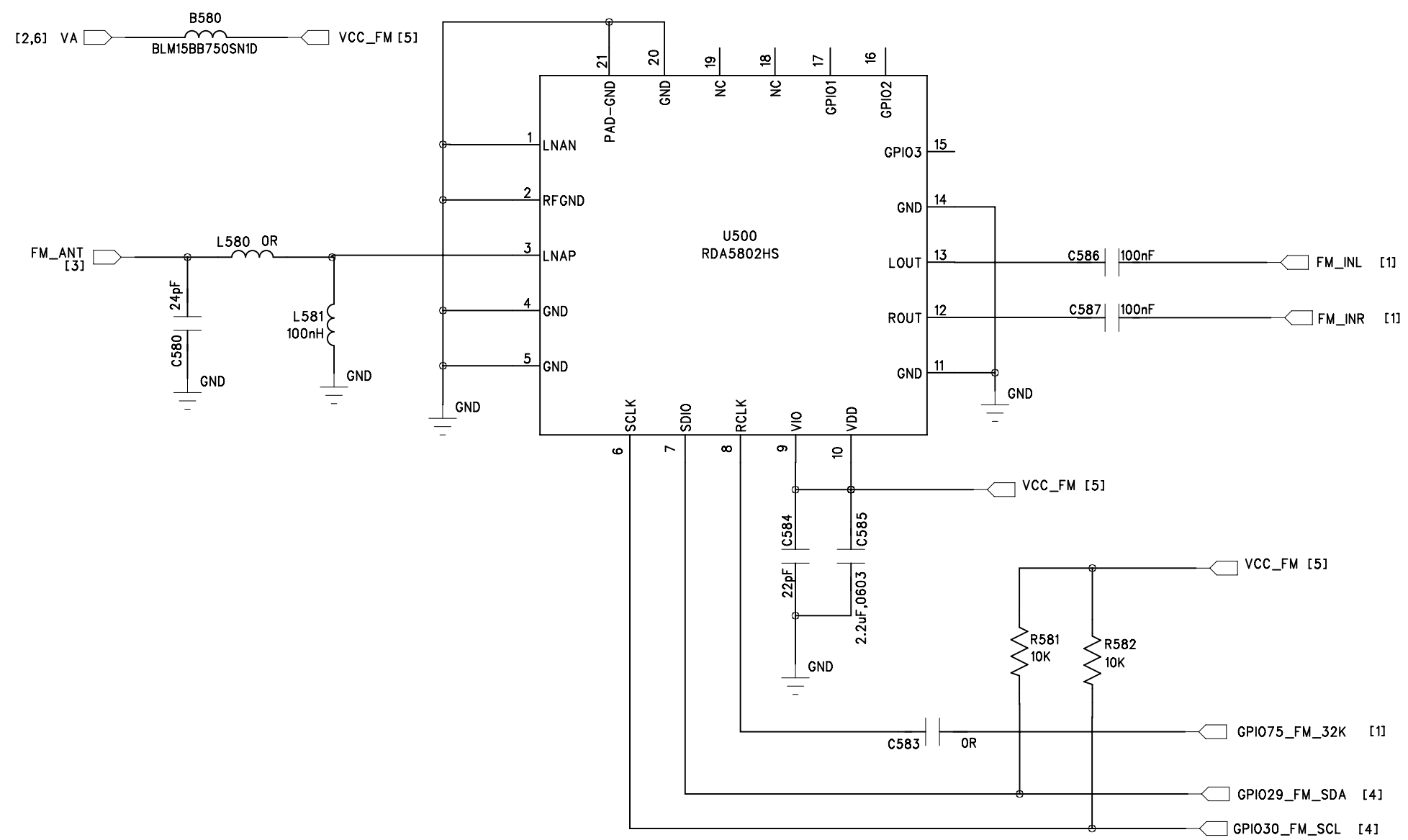
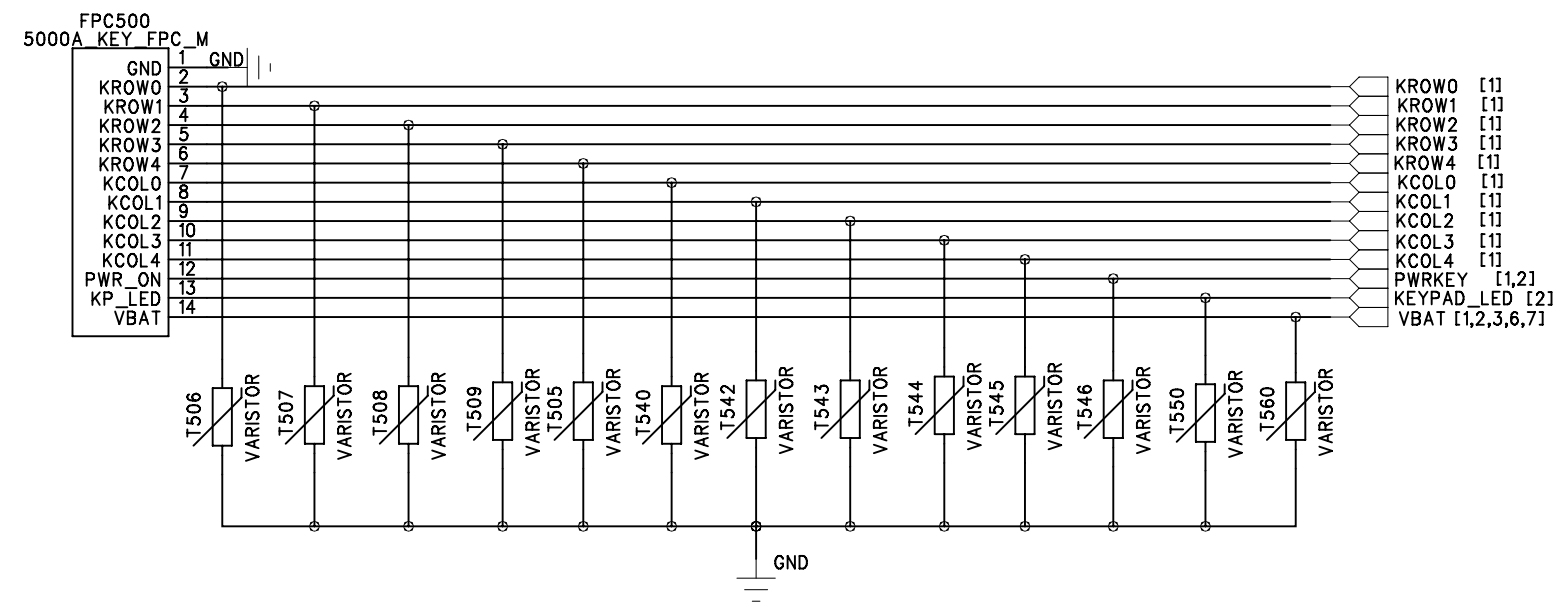
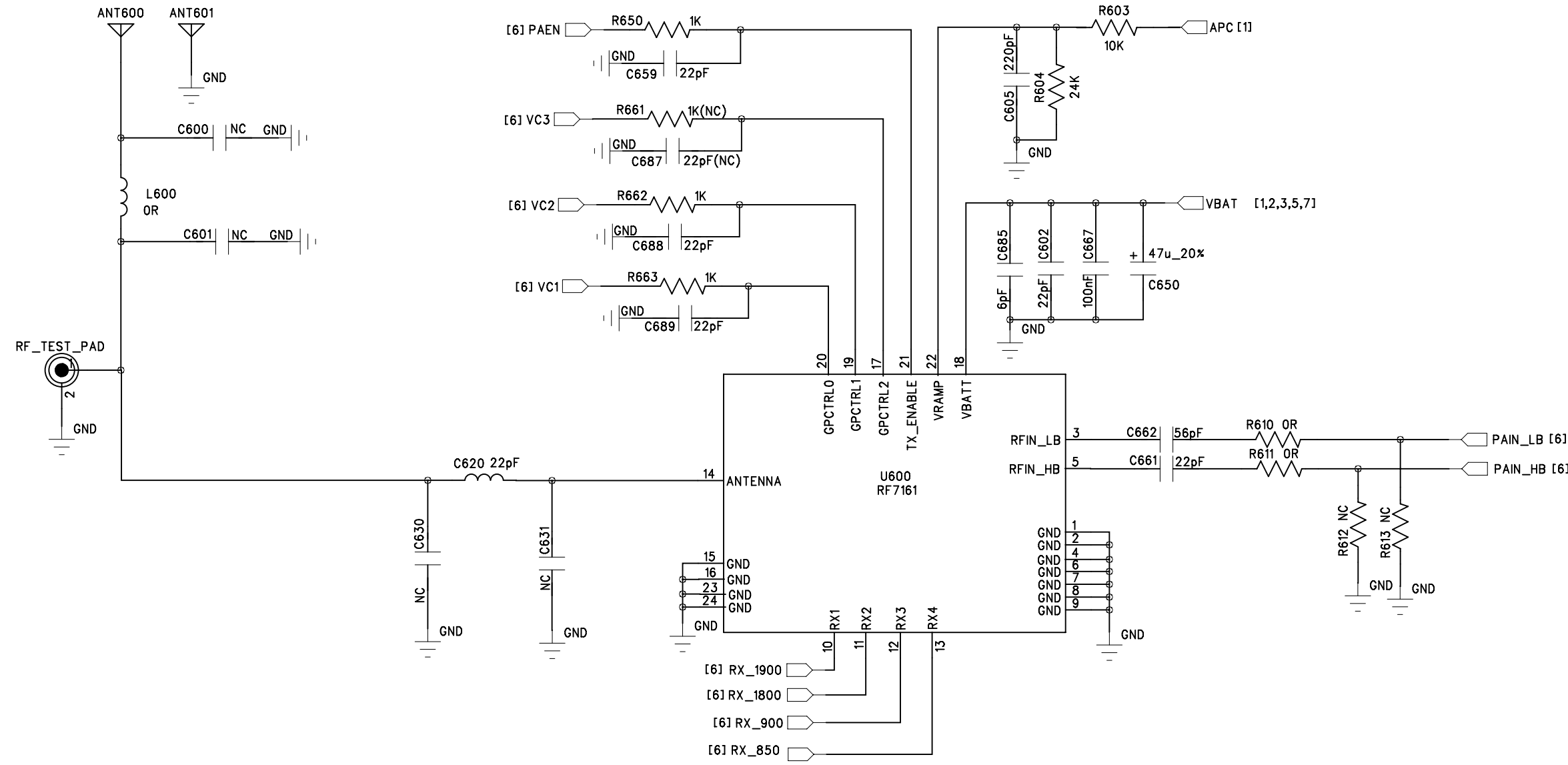


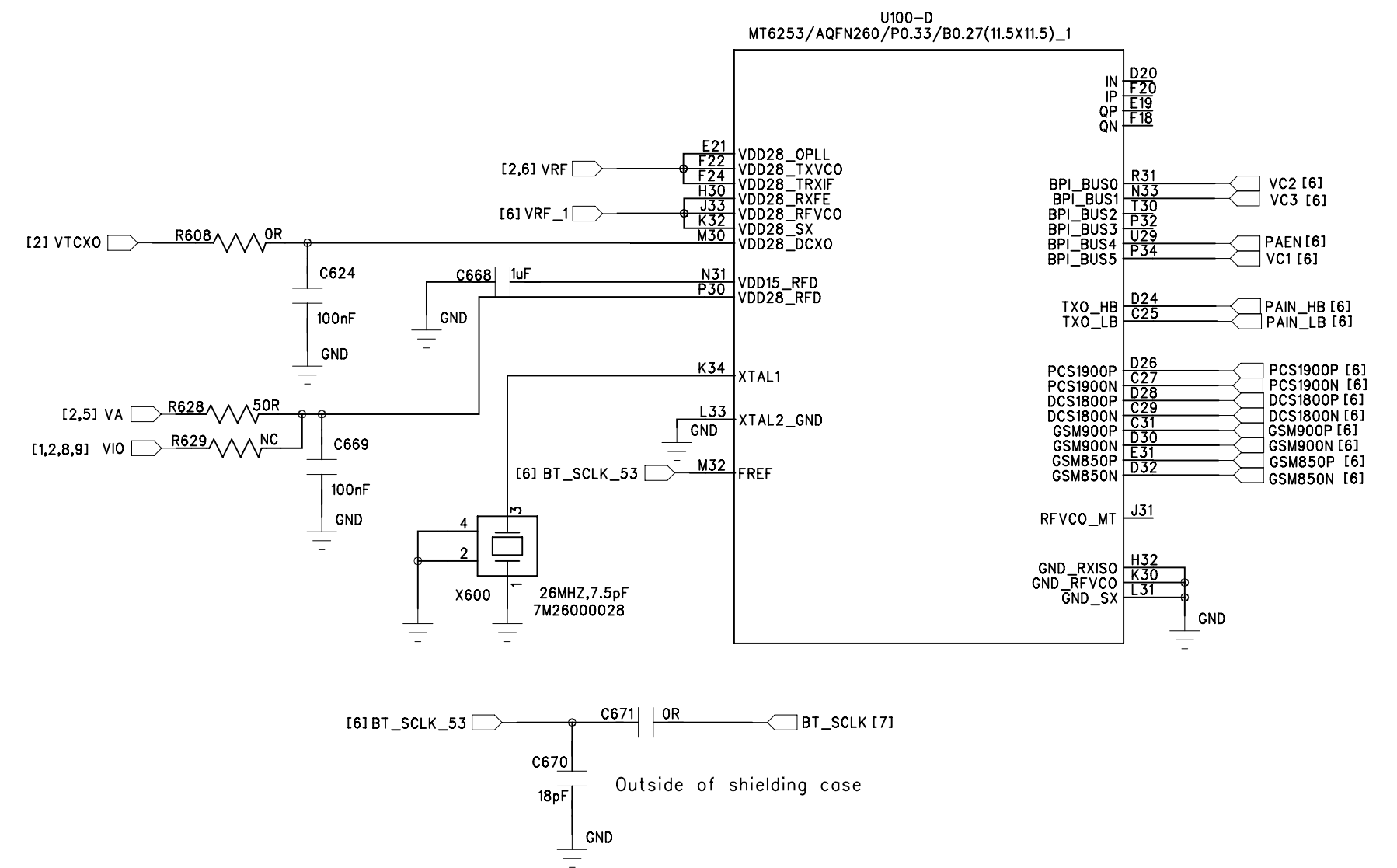
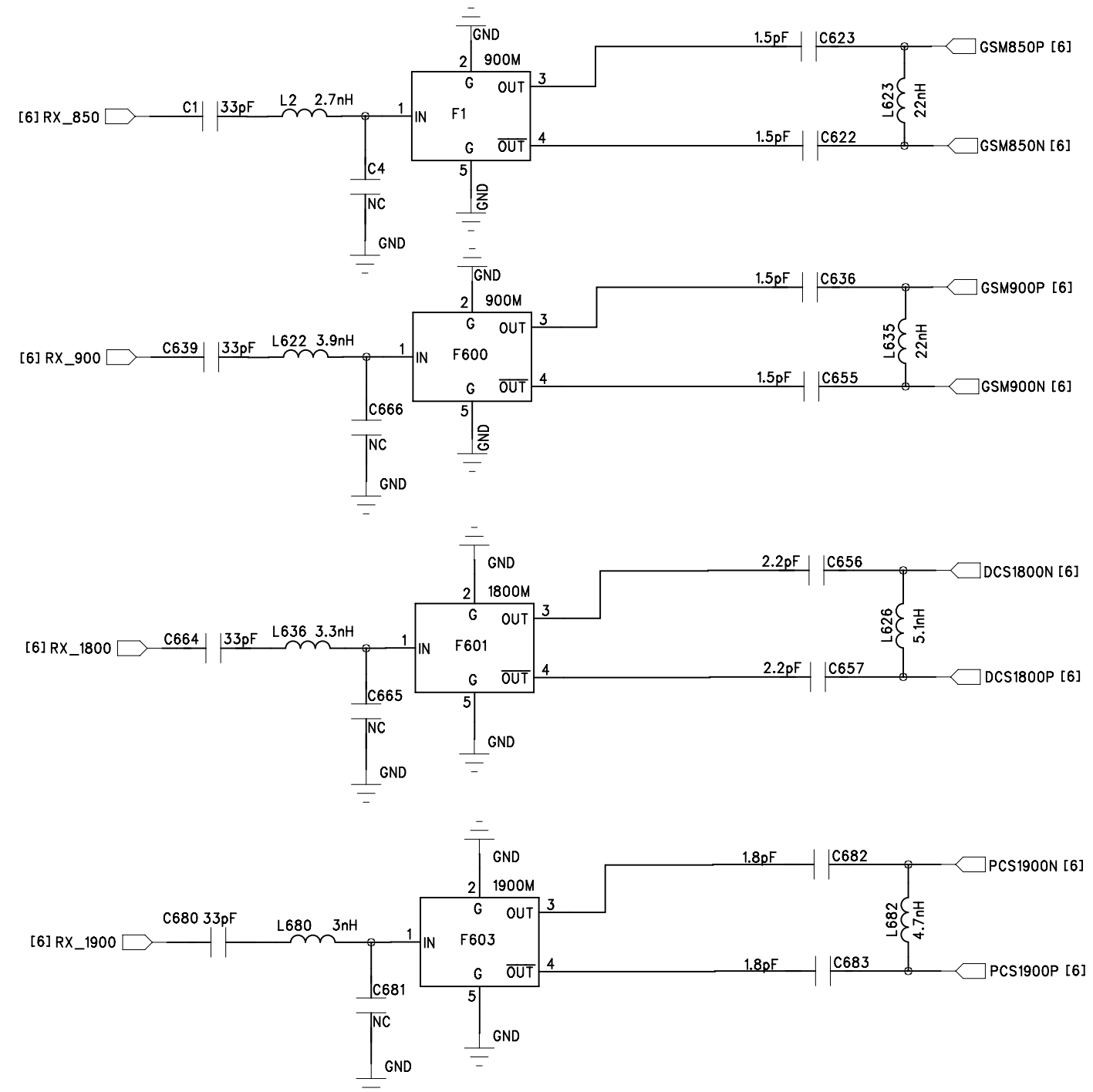
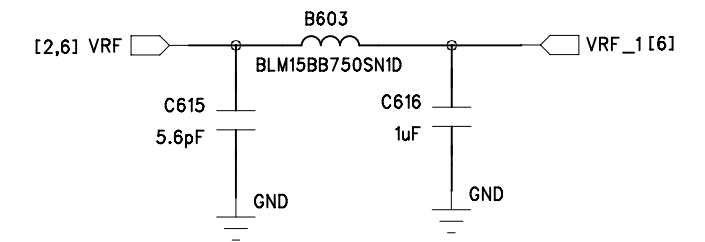
U100-B
MT6253/AQFN260/P0.33/B0.27(11.5X11.5)_1



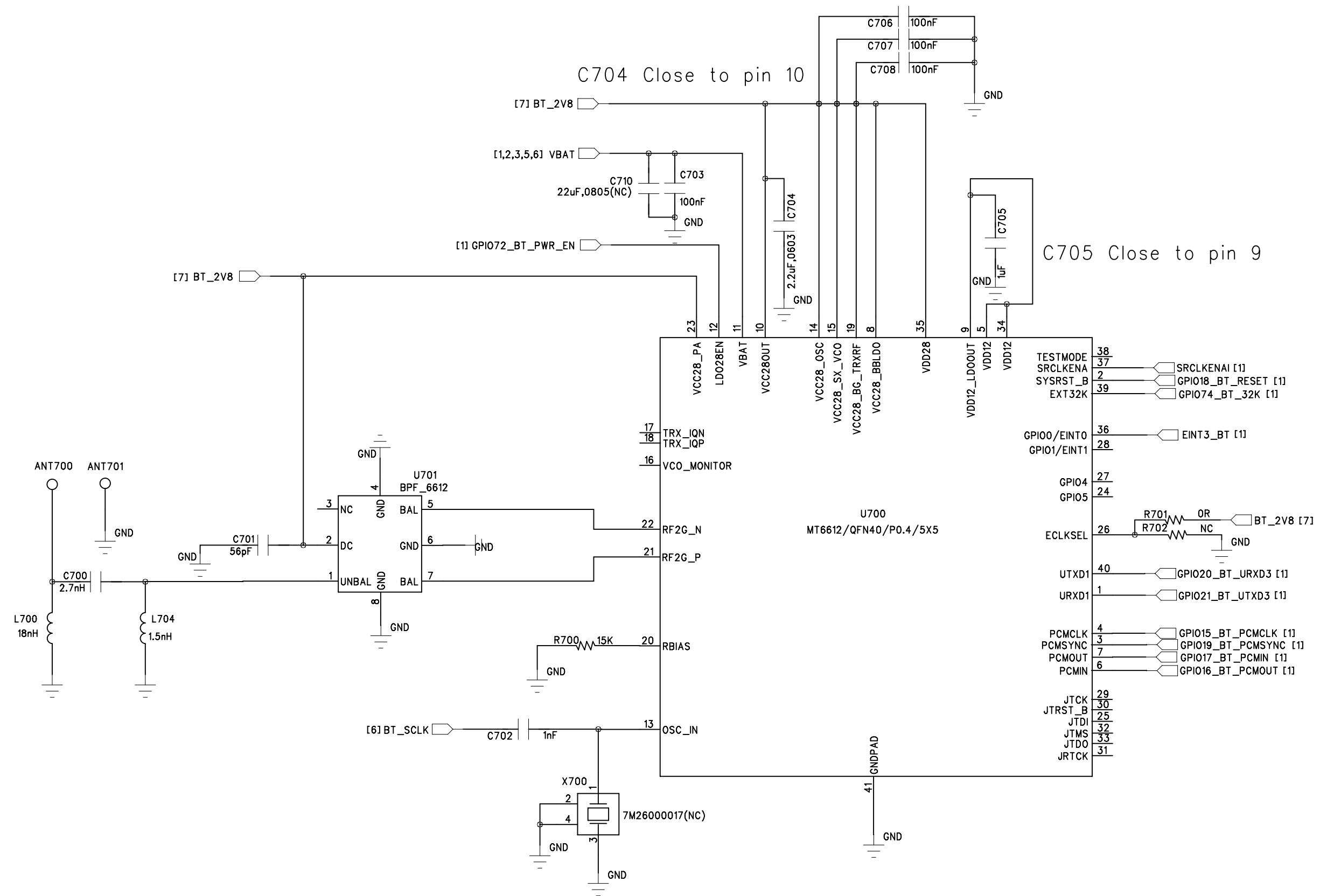


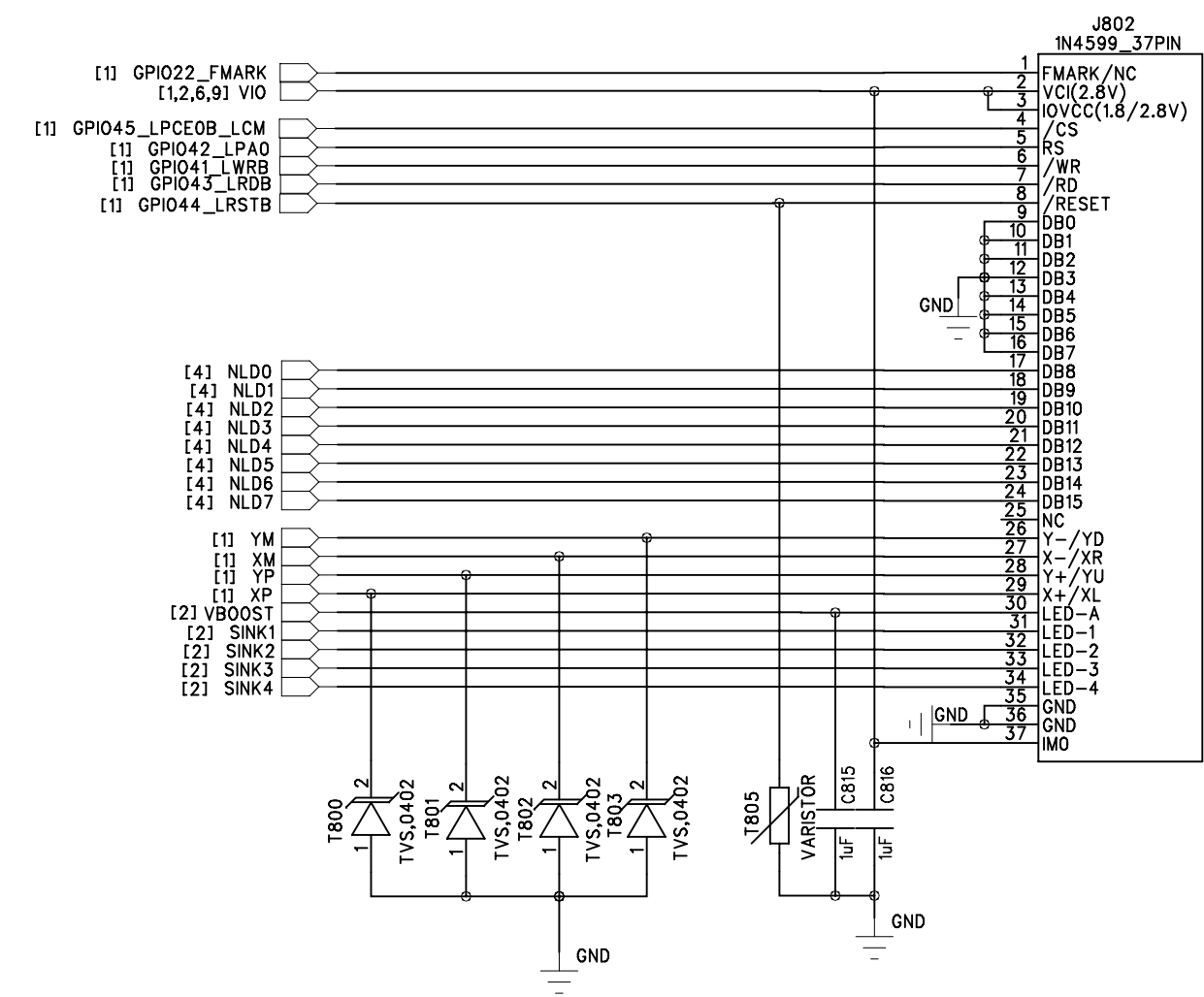
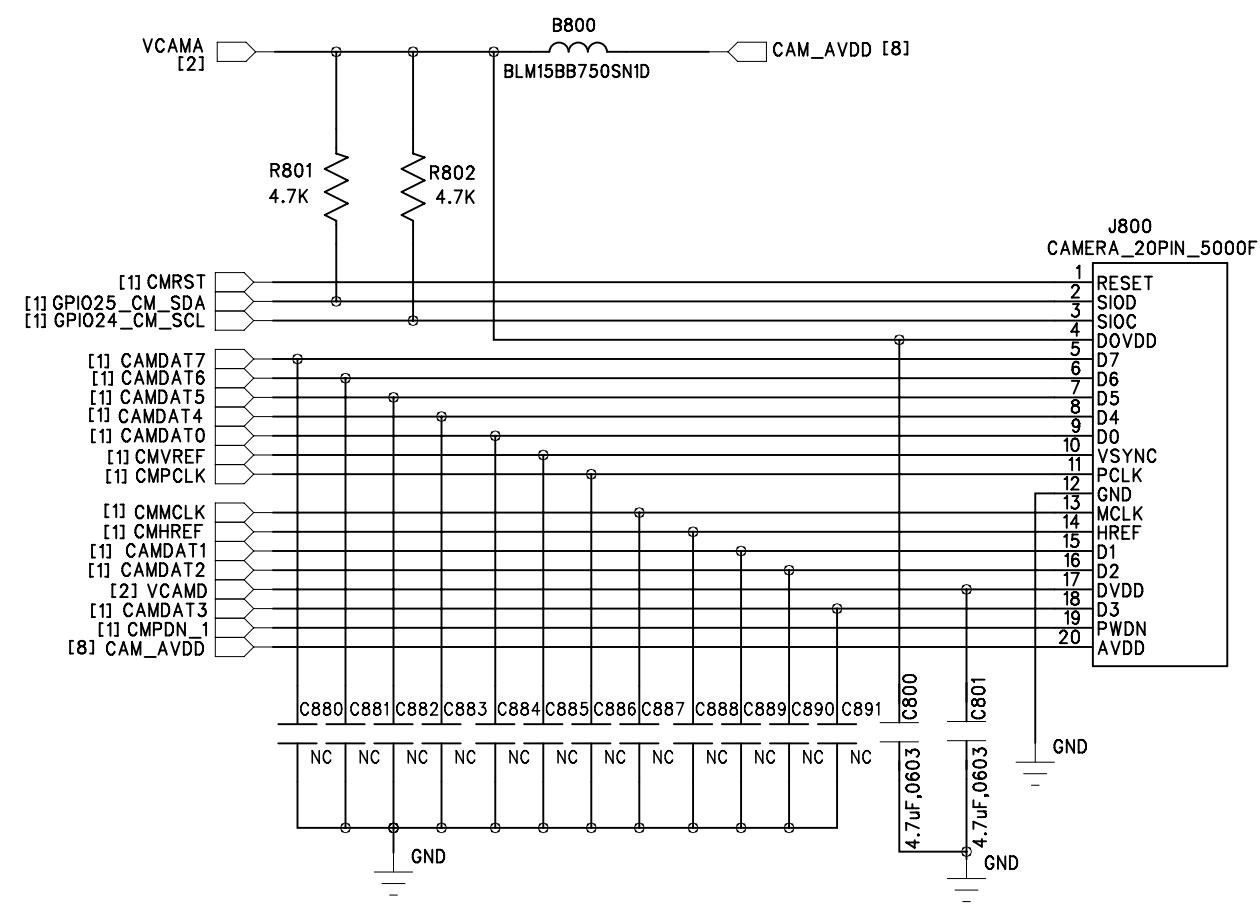


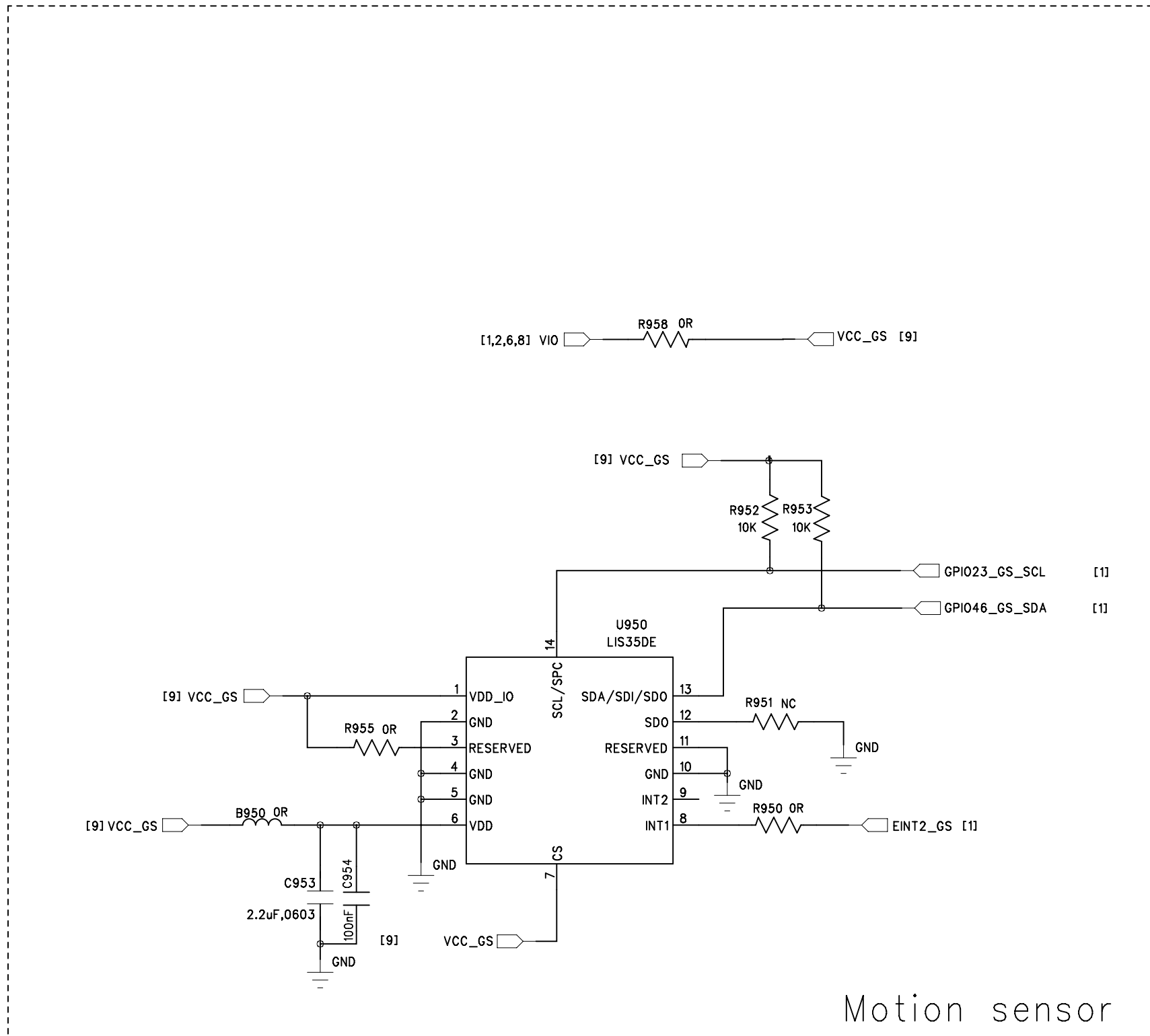
C615 close to VDD28_OPLL
 B603 close to VDD28_OPLL
 C616 close to VDD28_RFVCO



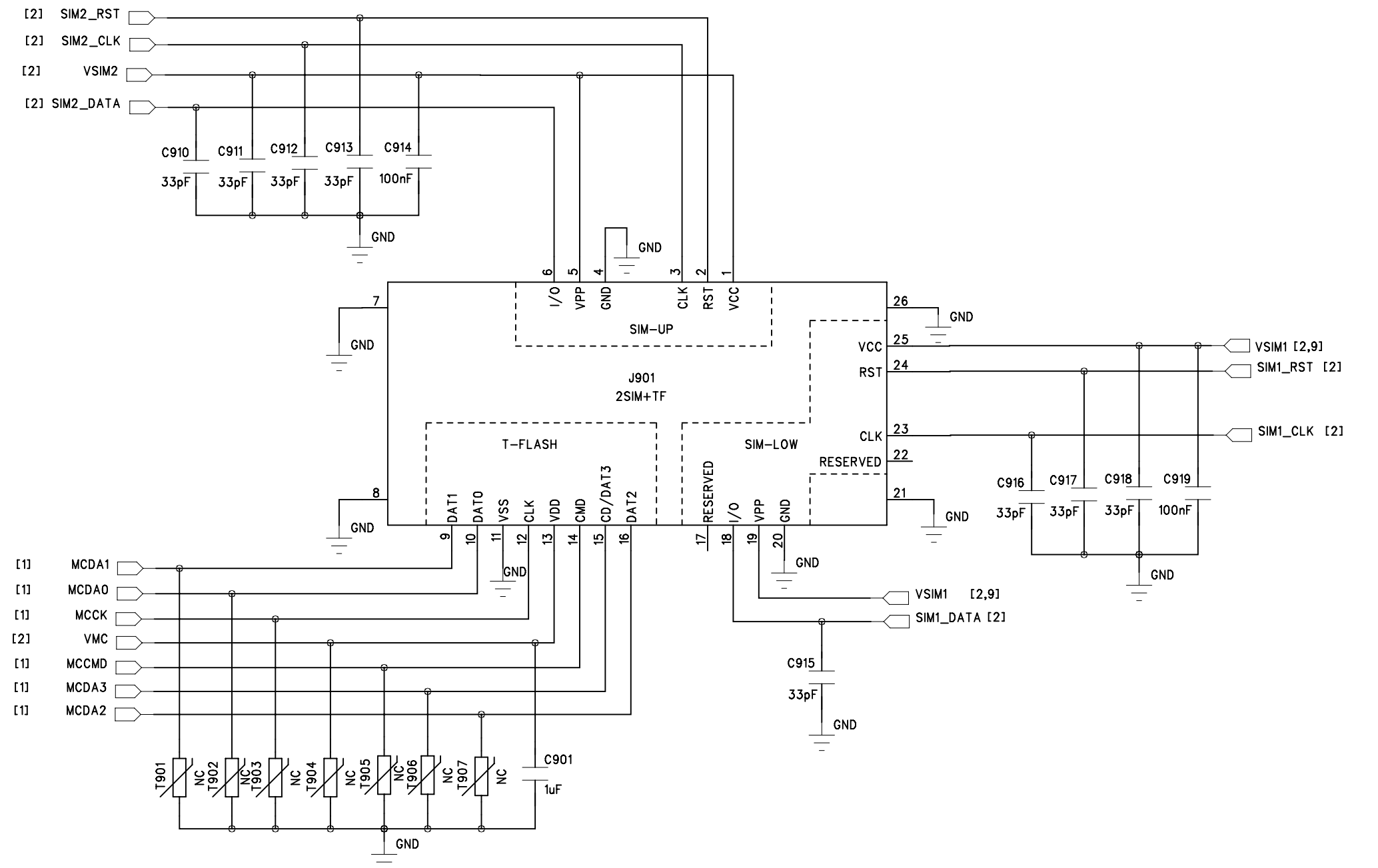
Outside of shielding case







Motion sensor



ESD CAP must less than 30pF!!