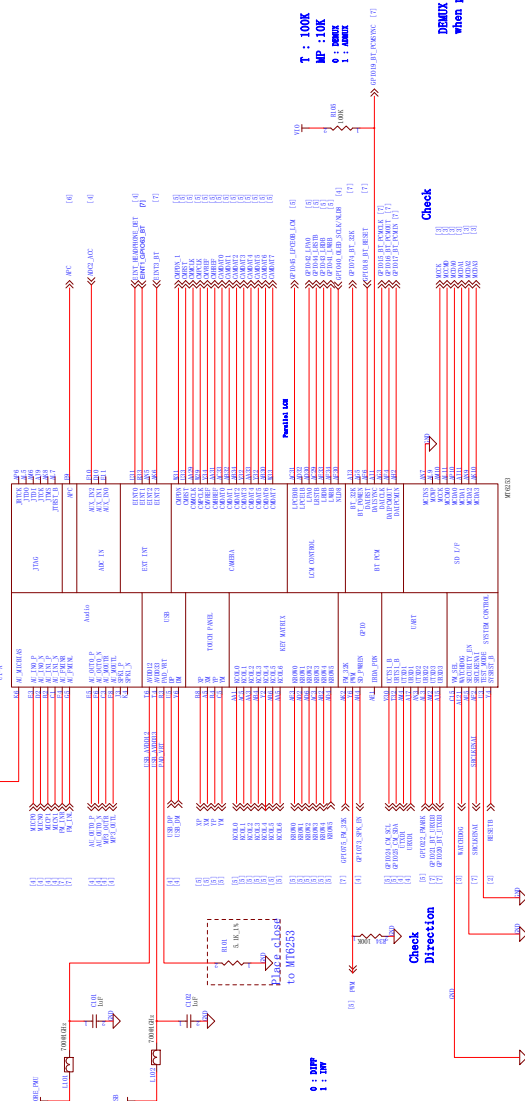


BASEBAND



WAVE MAKE MAKE MAKE



T : 100K
RP : 10K
R : 100K

IPMIX and AMIX is chosen when power on only.

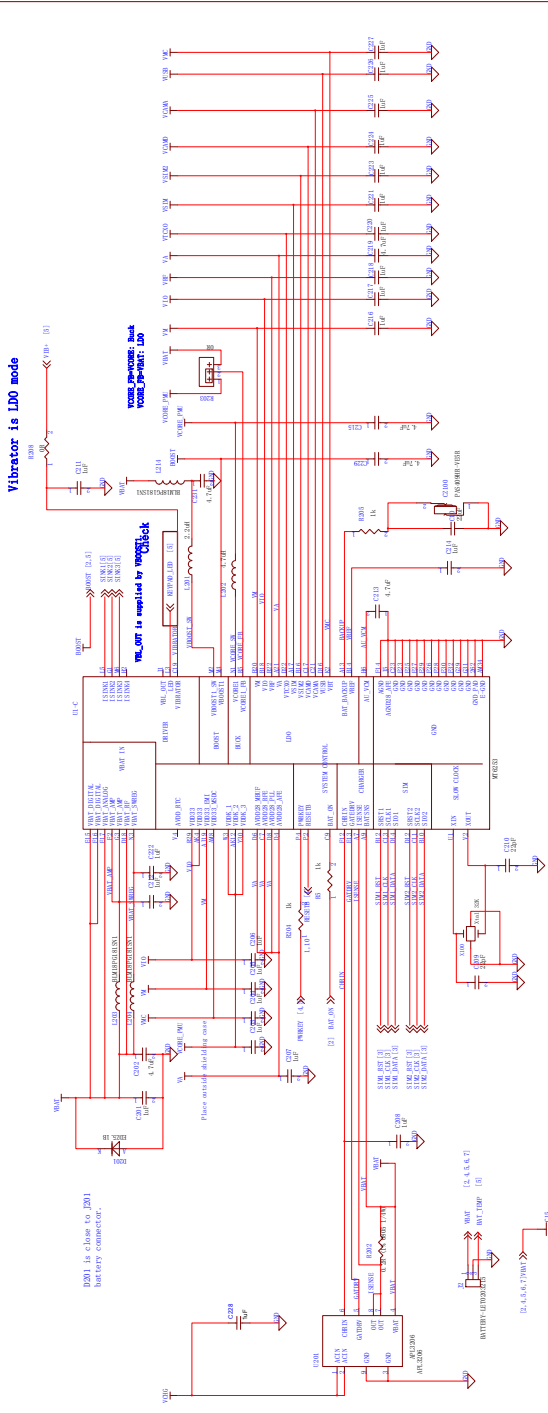
(25) Antenna Base:

128.5K	Pin: ANT/DIV/EN
128.6K	Pin: ANT/EN
128.7K	Pin: ANT/CLK

01	Baseband (Gross)
02	Hardware Version
03	H305

© 2005 Analog Devices, Inc. All rights reserved. This document is the property of Analog Devices, Inc. and its subsidiaries. It is provided to you under license from Analog Devices, Inc. and its subsidiaries. No part of this document may be reproduced, stored in a retrieval system, or transmitted in any form or by any means, electronic, mechanical, photocopying, recording, or by any information storage and retrieval system, without the prior written permission of Analog Devices, Inc.

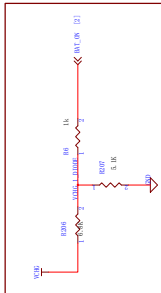
BASBAND-POWER



Symbol	Value (V)	Serial Label	Setting
VR1	1.8		
VR2	1.8		
VR3	1.8		
VR4	1.8		
VR5	1.8		
VR6	1.8		
VR7	1.8		
VR8	1.8		
VR9	1.8		
VR10	1.8		
VR11	1.8		
VR12	1.8		
VR13	1.8		
VR14	1.8		
VR15	1.8		
VR16	1.8		
VR17	1.8		
VR18	1.8		
VR19	1.8		
VR20	1.8		
VR21	1.8		
VR22	1.8		
VR23	1.8		
VR24	1.8		
VR25	1.8		
VR26	1.8		
VR27	1.8		
VR28	1.8		
VR29	1.8		
VR30	1.8		
VR31	1.8		
VR32	1.8		
VR33	1.8		
VR34	1.8		
VR35	1.8		
VR36	1.8		
VR37	1.8		
VR38	1.8		
VR39	1.8		
VR40	1.8		
VR41	1.8		
VR42	1.8		
VR43	1.8		
VR44	1.8		
VR45	1.8		
VR46	1.8		
VR47	1.8		
VR48	1.8		
VR49	1.8		
VR50	1.8		
VR51	1.8		
VR52	1.8		
VR53	1.8		
VR54	1.8		
VR55	1.8		
VR56	1.8		
VR57	1.8		
VR58	1.8		
VR59	1.8		
VR60	1.8		
VR61	1.8		
VR62	1.8		
VR63	1.8		
VR64	1.8		
VR65	1.8		
VR66	1.8		
VR67	1.8		
VR68	1.8		
VR69	1.8		
VR70	1.8		
VR71	1.8		
VR72	1.8		
VR73	1.8		
VR74	1.8		
VR75	1.8		
VR76	1.8		
VR77	1.8		
VR78	1.8		
VR79	1.8		
VR80	1.8		
VR81	1.8		
VR82	1.8		
VR83	1.8		
VR84	1.8		
VR85	1.8		
VR86	1.8		
VR87	1.8		
VR88	1.8		
VR89	1.8		
VR90	1.8		
VR91	1.8		
VR92	1.8		
VR93	1.8		
VR94	1.8		
VR95	1.8		
VR96	1.8		
VR97	1.8		
VR98	1.8		
VR99	1.8		
VR100	1.8		

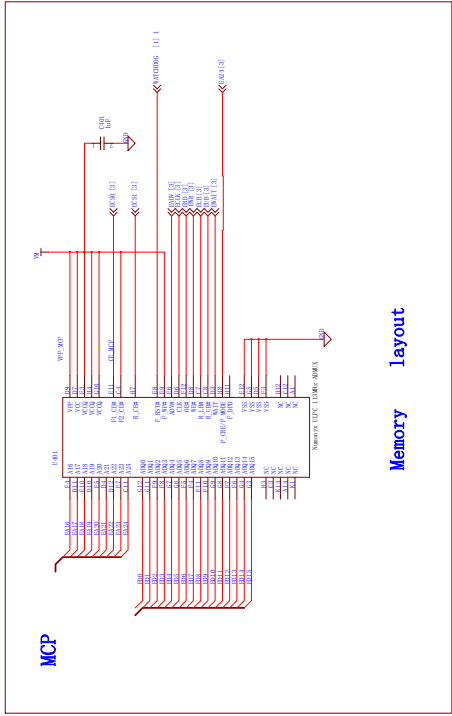
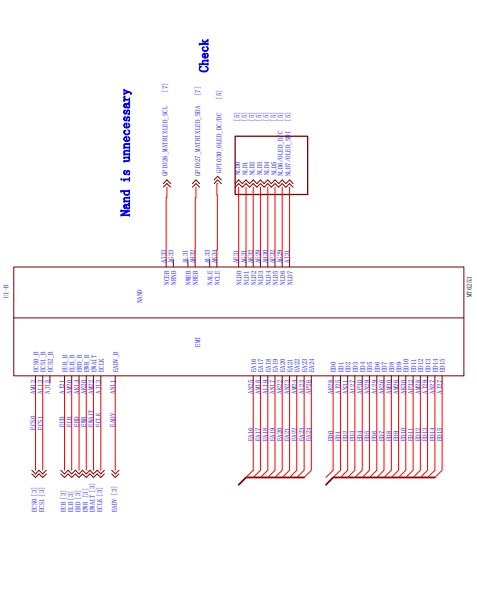
Place X1 close to BB

Check Trace 541 is enough

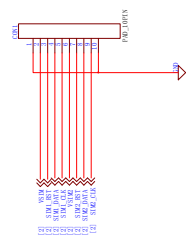
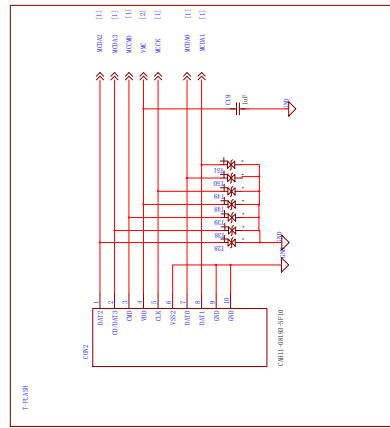


1.0000000000000000
2.0000000000000000
3.0000000000000000
4.0000000000000000
5.0000000000000000
6.0000000000000000
7.0000000000000000
8.0000000000000000
9.0000000000000000
10.0000000000000000

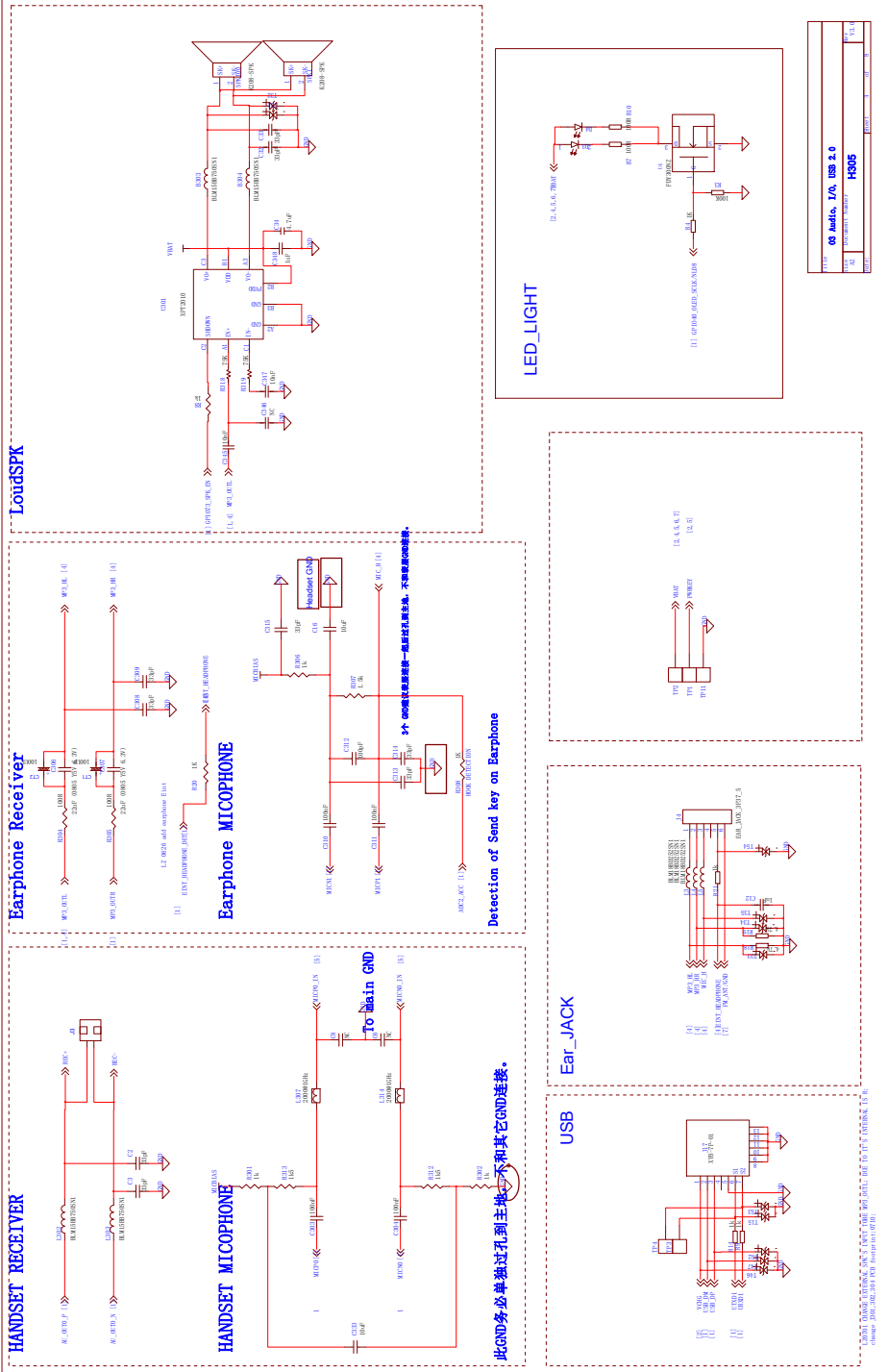
BASBAND-MCP-INTERFACE



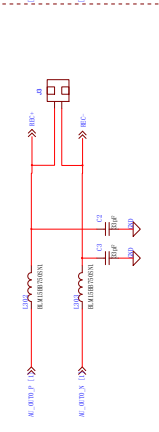
Memory layout



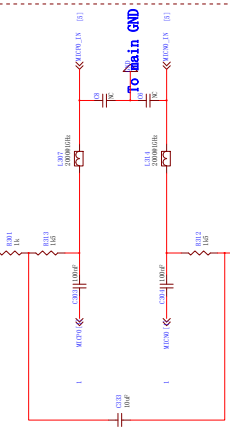
FILE	04_Memory_T-Setup
LIBRARY	04_Memory_T-Setup
LIBRARY	H305
DATE	2023-09-15
TIME	10:00
USER	user



HANDSET RECEIVER

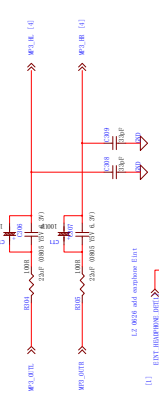


HANDSET MICROPHONE

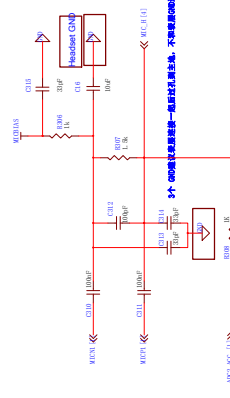


此GND务必单独过孔到主地，不和其它GND连接。

Earphone Receiver

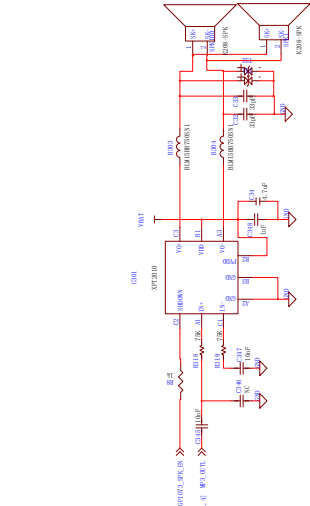


Earphone MICROPHONE

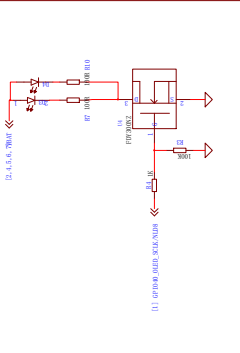


Detection of Send key on Earphone

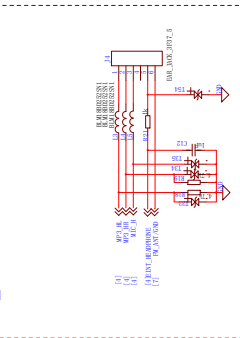
LoudSPK



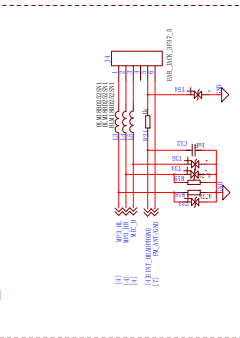
LED_LIGHT



USB



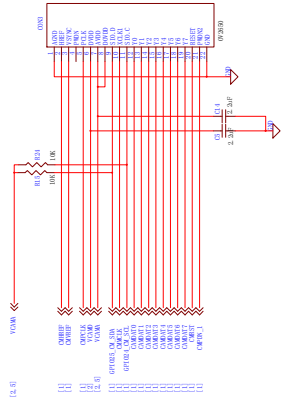
Ear_JACK



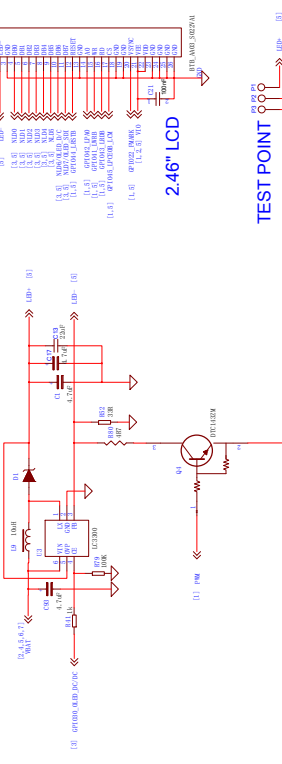
TYPE	00 Audio, I/O, USB 2.0
DATE	20080715
DESIGNER	H305
DATE	2008-07-15

Copyright © 2008, All Rights Reserved. This document is confidential and its contents may not be disclosed to third parties without written permission.

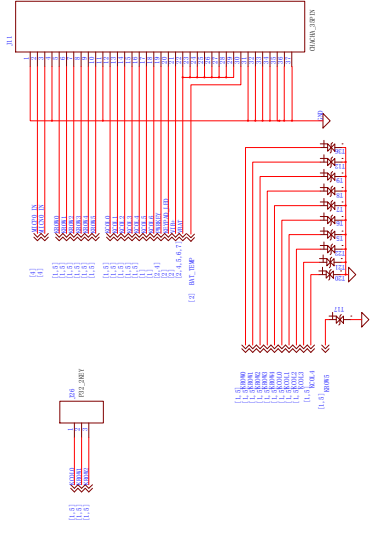
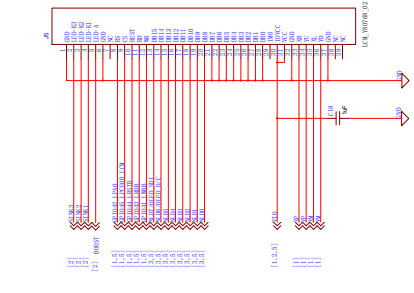
CAMERA



2.46" LCD

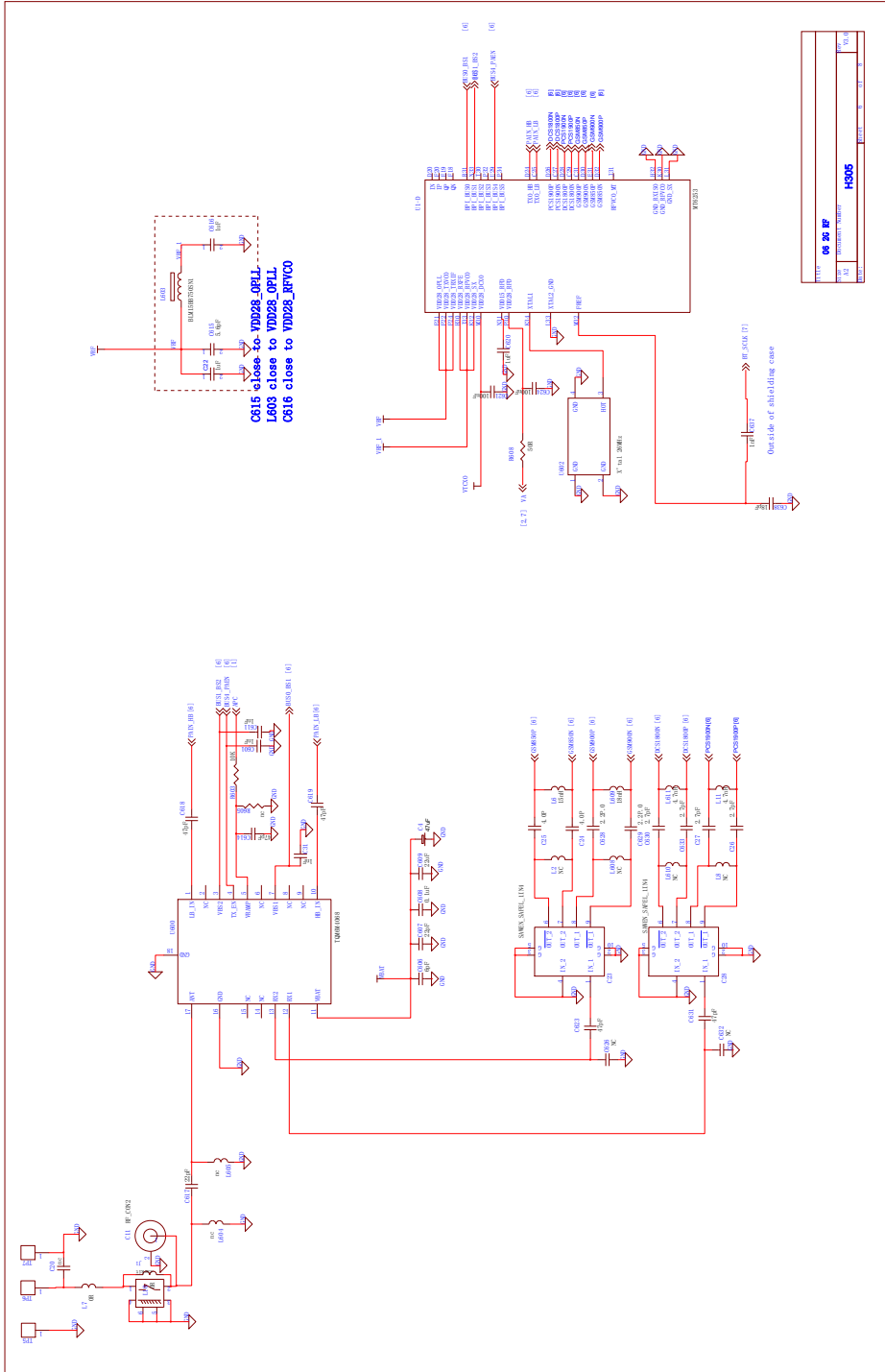


TEST POINT

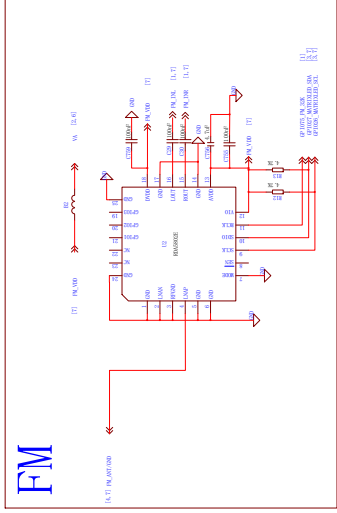
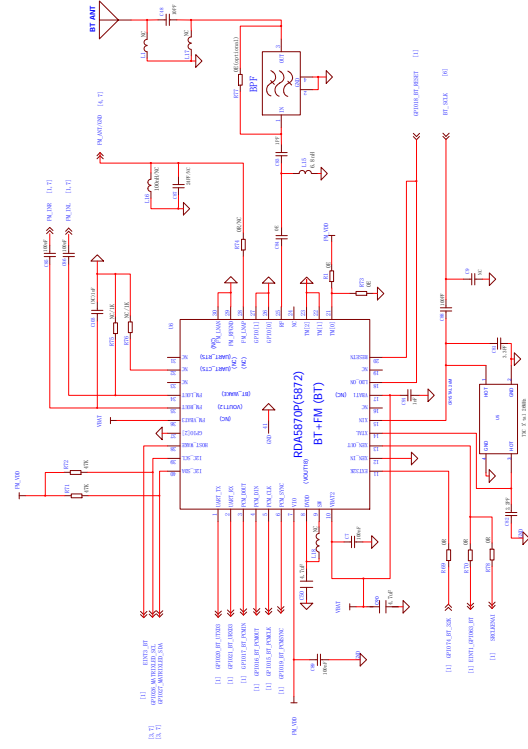


06 LCD Camera Keyset Flash Light and Card	
REV	1.0
DATE	2013.03.05
DESIGNER	H305
DATE	2013.03.05

LE ORBIT USE VISIBIT AND STAND 1 FROM LKOR.
 06 LCD CAMERA KEYSET FLASH LIGHT AND CARD
 06 LCD CAMERA KEYSET FLASH LIGHT AND CARD



BT+FM



PONS		
1	1	1
2	2	2
3	3	3
4	4	4
5	5	5
6	6	6
7	7	7
8	8	8
9	9	9
10	10	10
11	11	11
12	12	12
13	13	13
14	14	14
15	15	15
16	16	16
17	17	17
18	18	18
19	19	19
20	20	20
21	21	21
22	22	22
23	23	23
24	24	24
25	25	25
26	26	26
27	27	27
28	28	28
29	29	29
30	30	30
31	31	31
32	32	32
33	33	33
34	34	34
35	35	35
36	36	36
37	37	37
38	38	38
39	39	39
40	40	40
41	41	41
42	42	42
43	43	43
44	44	44
45	45	45
46	46	46
47	47	47
48	48	48
49	49	49
50	50	50

Part	SIGNAL	GPIO PORT	Part	SIGNAL	GPIO PORT
FM	SCL	GPIO26	RF	PAEN	GPIO81
	SDA	GPIO27	Audio PA	EN	GPIO73
BT	32K_CLK	GPIO75	BL DRIVER	EN	GPIO28
	UART_TX	GPIO20		HALF BRIGHT	GPIO30
	UART_RX	GPIO21	Flashlight	EN	GPIO40
	RESET	GPIO18			
	32K_CLK	GPIO74			
	SCL	GPIO26			
	SDA	GPIO27			
EINT	GPIO63				
EINT3	GPIO61				
CAMERA	SRCLKENA	GPIO77			
	SCL	GPIO24			
	SDA	GPIO25			
	RESET	GPIO60			
	PWDN	GPIO57			

GPIO
H05