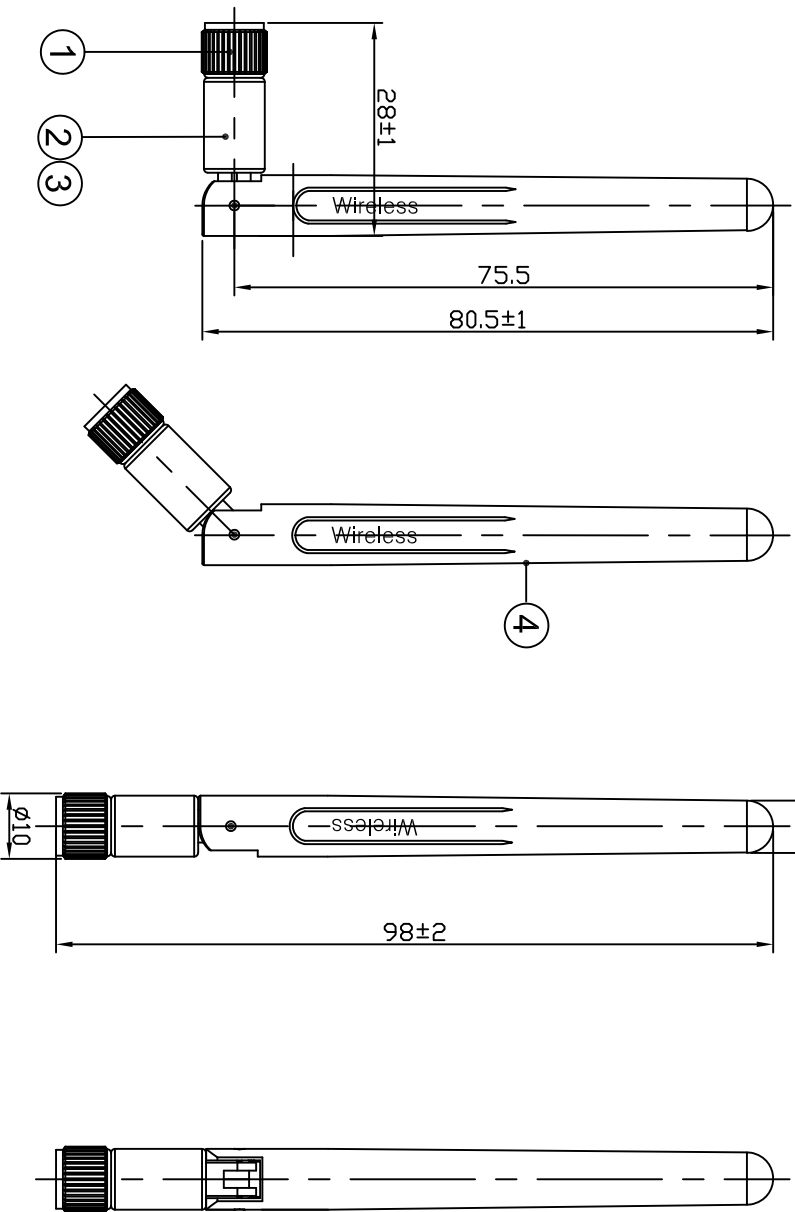


RoHS

Compatible



| | | | | |
|----|---------------------|--------------------------|-------|-----|
| 4 | 201005350001 | 本体 10*80.5 沛欣專用 ABS 黑色 | 1 | PCS |
| 3 | 203001250001 | 连接头 9.8*19.5 沛欣專用 ABS 黑色 | 1 | PCS |
| 2 | 101000106001 | RF1.13 ODI.13 铜镀锡 黑色 | 0.082 | M |
| 1 | SMA002-CZ8MR178-01A | 小S铜电著接头公头母针(连接头带卡扣) | 1 | PCS |
| 序號 | 物料编号 | 物料名称规格 | 用量 | 单位 |

| SIGN | DATE | DESCRIPTION | APPROVER |
|------|------|-------------|----------|
| △ | | | |
| △ | | | |
| △ | | | |

| | | | |
|-------------------------------|------------|--------------------------------|--|
| Chian Yao CO.,LTD | | | |
| TITLE: Antenna-2, 4GHz-2dBi | | | |
| PART NO: CY102400-10982LF-01A | | DWG NAME: CY102400-10982LF-01A | |
| APPROVED BY | CHECKED BY | DESIGNED BY | Tolerance |
| | | Xumingwen | X.X #0.2 X.XX #0.1 X° ±1° |
| | | 2013/08/19 | UNITS: mm SCALE: 1/1 REVISION: A |

備註:

1. 帶*號的尺寸為重點尺寸.
2. 未標公差按標準公差

1 2 3 4 5 6 7 8

Product Number: CY102400-10982LF-01A

Product Name: 2.4GHz 2dBi Antenna

Index:

1. Reliability Testing
2. Specification
3. SParameter Test Data
4. Antenna Radiation Pattern
5. Mechanical Drawing
6. SGS Report

=====

1. Reliability Testing

| Test Item | Procedure | Requirement |
|--|---|--|
| 1. Visual inspection and Dimension Check | Applicable methods using x5 magnification | follow specification |
| 2. Rapid Changing of Temperature | -40°C (30minutes) to 90°C (30minutes); 24 cycles | After 2 hours recovery: 1. no visible damage 2. Freq. Tol.: < ±5% |
| 3. Damp Heat | 24 hours at 60°C; 90 ~ 95% RH | After 2 hours recovery: 1. no visible damage 2. Freq. Tol. : < ±5% |
| 4. Endurance | 24 hours at 90°C | After 2 hours recovery: 1. no visible damage 2. Freq Tol.: < ±5% |

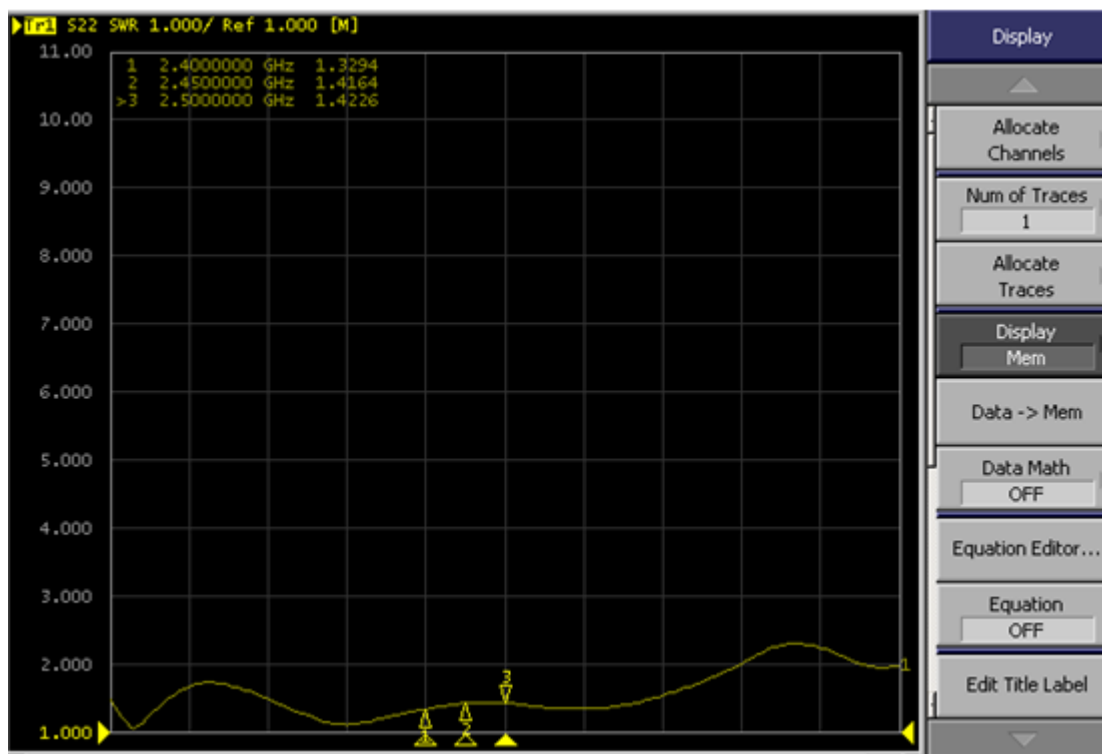
Product Number: CY102400-10982LF-01A

Product Name: 2.4GHz 2dBi Antenna

2. Specification

| A. Electrical Characteristics | |
|-------------------------------|--------------------------|
| S.W.R. | 2400~2500MHz: ≤ 2.0 |
| Antenna Gain | 2.0 ± 0.7 dBi |
| Impedance | 50 Ohm |
| B. Material | |
| Material of Radiator | Cu (Plated) |
| Connector Type | SMA RP PLUG |
| C. Environmental | |
| Operation Temperature | - 30 °C ~ + 85 °C |
| Storage Temperature | - 30 °C ~ + 85 °C |

3. S Parameter Test data



Product Number: CY102400-10982LF-01A

Product Name: 2.4GHz 2dBi Antenna

4. Antenna Radiation Pattern

Testing Equipment Specification:

Antenna Anechoic Chamber Dimension: 8 x 4 x 4 m

Quiet Zone: 600mm @1 GHz

Isolation: >100dB @ 1 MHz ~ 10 GHz

Testing Equipment: Agilent 5071B

Received Antenna: 0.7 ~ 6.0 GHz for Gain Calibration

Double Ridged Horn Antenna

