

amped|wireless

**AC1200 Plug-In
Wi-Fi Range Extender**

Model: B1200EX

Designed in the USA by Amped Wireless.
Assembled in China.

Login Settings:

Web Menu: <http://setup.ampedwireless.com>

IP Address: 192.168.1.240

Wi-Fi Settings:

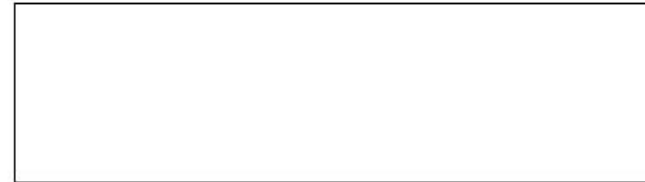
2.4GHz SSID: Amped_B1200EX_2.4

5GHz SSID: Amped_B1200EX_5.0

Factory Default Settings:

Hold down Reset button for 10 seconds.

S/N:



Indoor Use Only

Input: 100-240V~50-60Hz, 0.16A



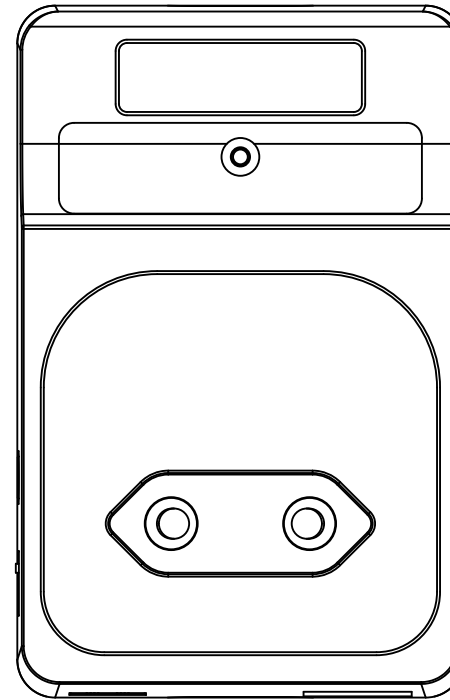
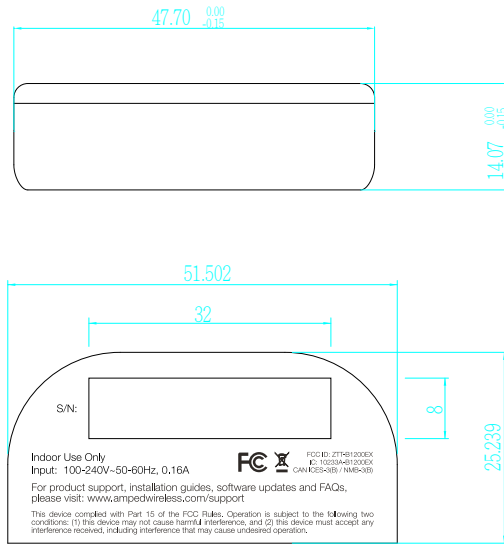
FCC ID: ZTT-B1200EX
IC: 10233A-B1200EX
CAN ICES-3(B) / NMB-3(B)

For product support, installation guides, software updates and FAQs,
please visit: www.ampedwireless.com/support

This device complied with Part 15 of the FCC Rules. Operation is subject to the following two conditions: (1) this device may not cause harmful interference, and (2) this device must accept any interference received, including interference that may cause undesired operation.

上(小夜燈方向)

ITEM NO.	CHANGE
▲	



厚度: 0.2mm

DIMENSIONAL TOLERANCES	●								UNIT	mm	REV.	EDIMAX 訊舟科技股份有限公司		
	M1	M2	S1	S2	P1	P2	C		MATERIAL		A			
0-6	0.05	0.10	0.15	0.20	0.05	0.10	0.5		FINISH		THIRD ANGLE PROJECTION	DRAWN		MODEL NO.
6-30	0.10	0.20	0.15	0.25	0.10	0.15	1.0		SCALE	1:1		DESIGNED		PART NAME
30-80	0.15	0.25	0.20	0.30	0.20	0.40	2.0		DATE			CHECKED		PART NO.
80-180	0.15	0.30	0.25	0.45	0.40	0.80	3.0		SHEET			APPROVED		
180-315	0.20	0.50	0.40	0.60	0.60	1.20	3.0				SIZE			
ANGULAR	0.25	0.25	0.25	0.25	0.25	0.25	0.25				A4			

1 2 3 4 5 6 7 8

amped | wireless 

**AC1200 Plug-In
Wi-Fi Range Extender**

Model: B1200EX

Designed in the USA by Amped Wireless.
Assembled in China.

Login Settings:

Web Menu: <http://setup.ampedwireless.com>

IP Address: 192.168.1.240

Wi-Fi Settings:

2.4GHz SSID: Amped_B1200EX_2.4

5GHz SSID: Amped_B1200EX_5.0

Factory Default Settings:

Hold down Reset button for 10 seconds.