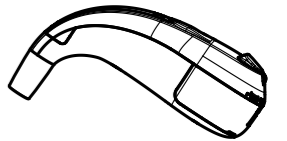
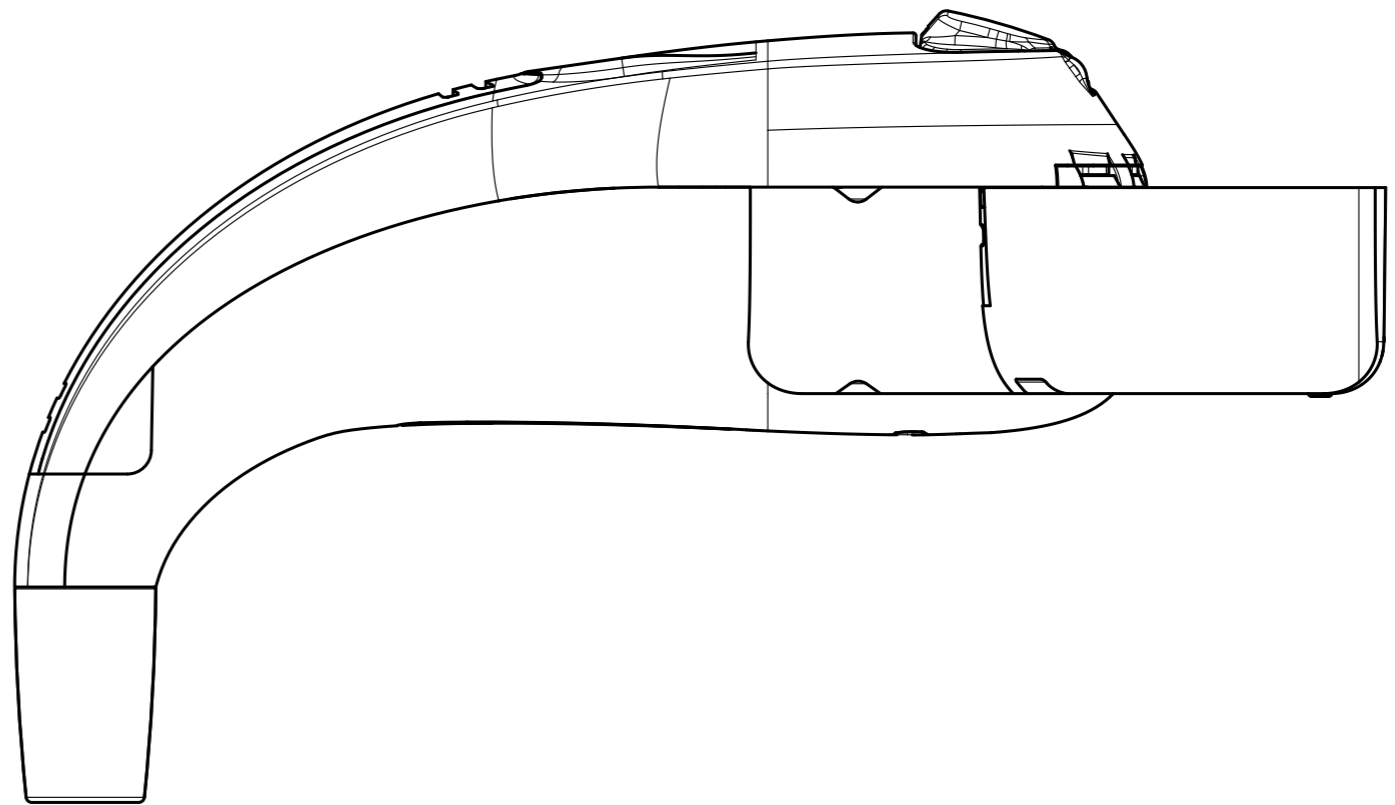
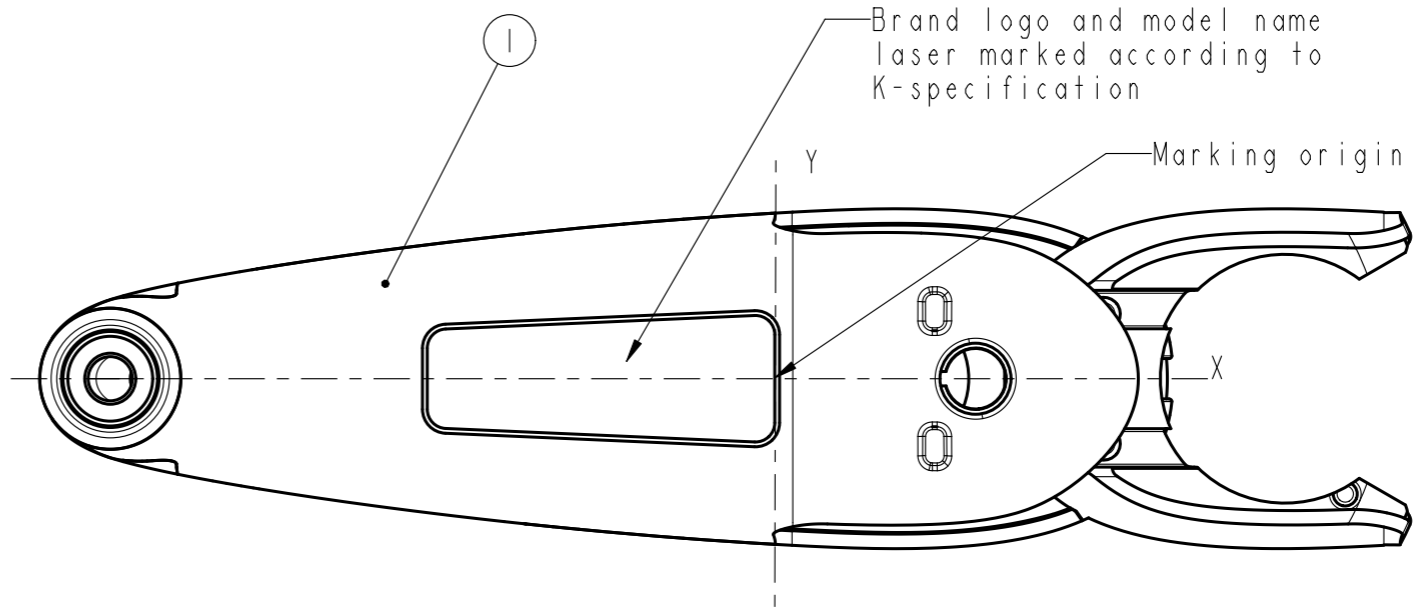
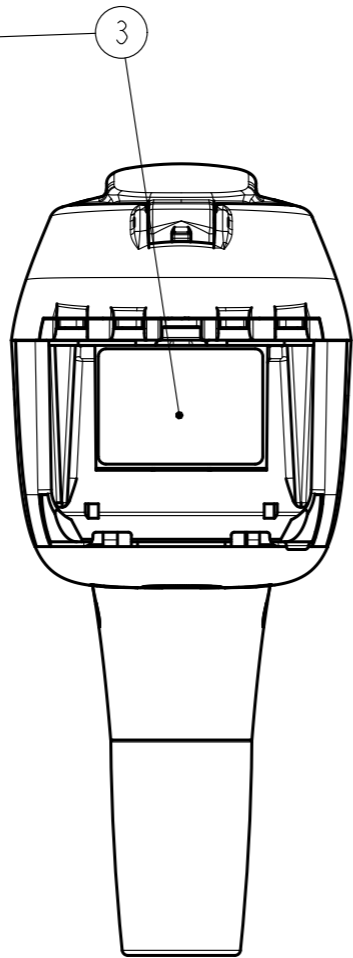
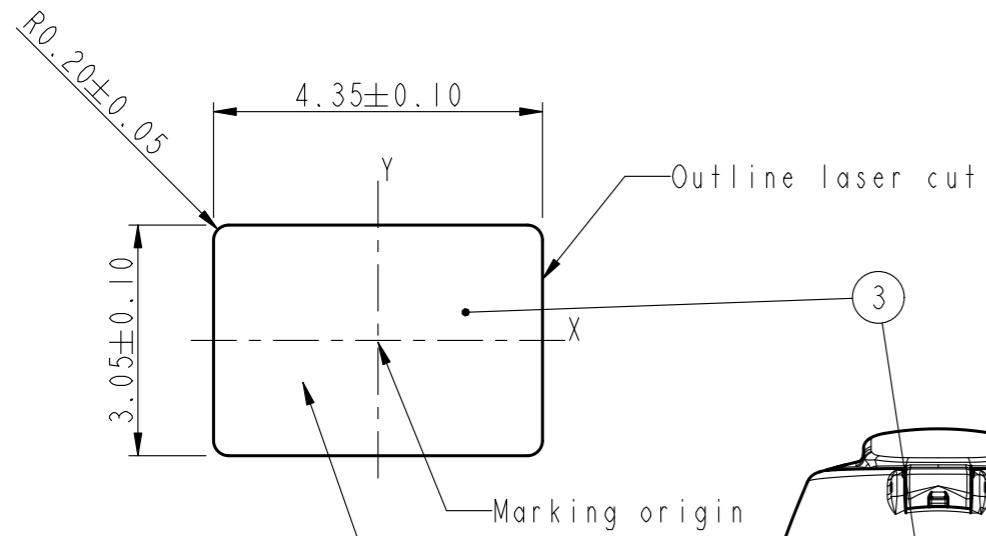


A3

This drawing must not be passed on to any person not authorized by us to receive it nor copied or otherwise made use of by such person without our authority

All dimensions in millimetres, unless otherwise specified.

888 83 013



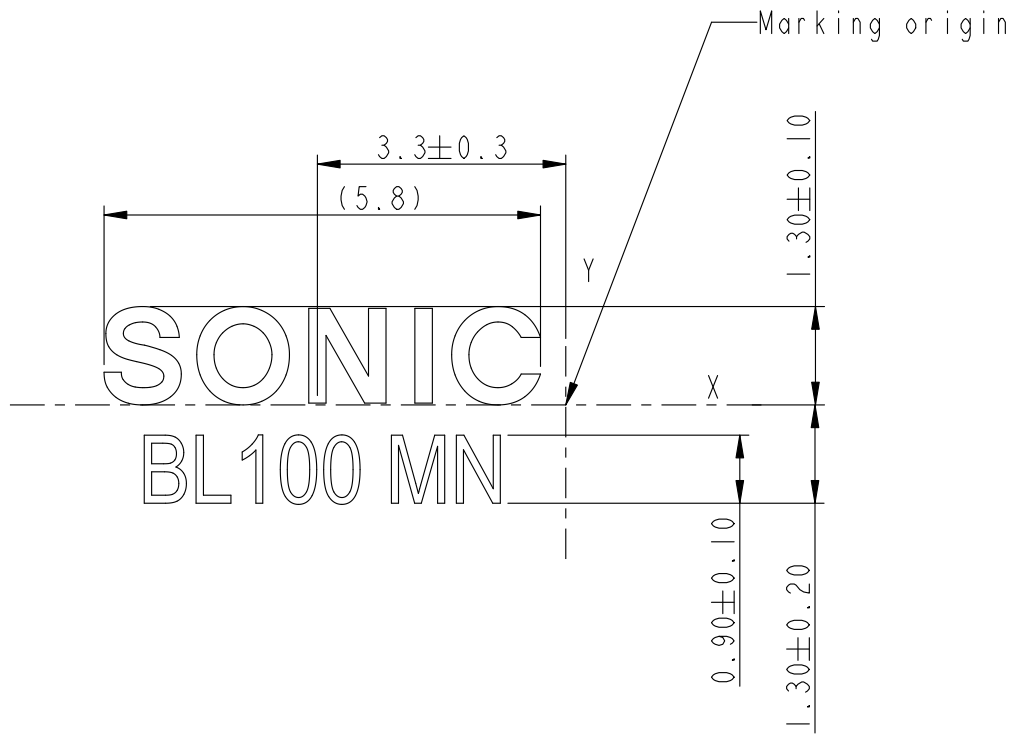
SCALE 1:1

Hook (2) enclosed in blister

Scale 5:1		Sheet description -	
Originated by: WSC		Date: 24-04-2012	
Revised by:		Designation: MN, PS	
		Drawing No: DOC-00019913	
		Category: A	
		Revision: 0	
		Sheet No. of tshts. Ver. 7	

All dimensions in millimetres. This drawing must not be passed on to any person not authorized by us to receive it nor copied or otherwise made use of by such person without our authority unless otherwise specified.

A4

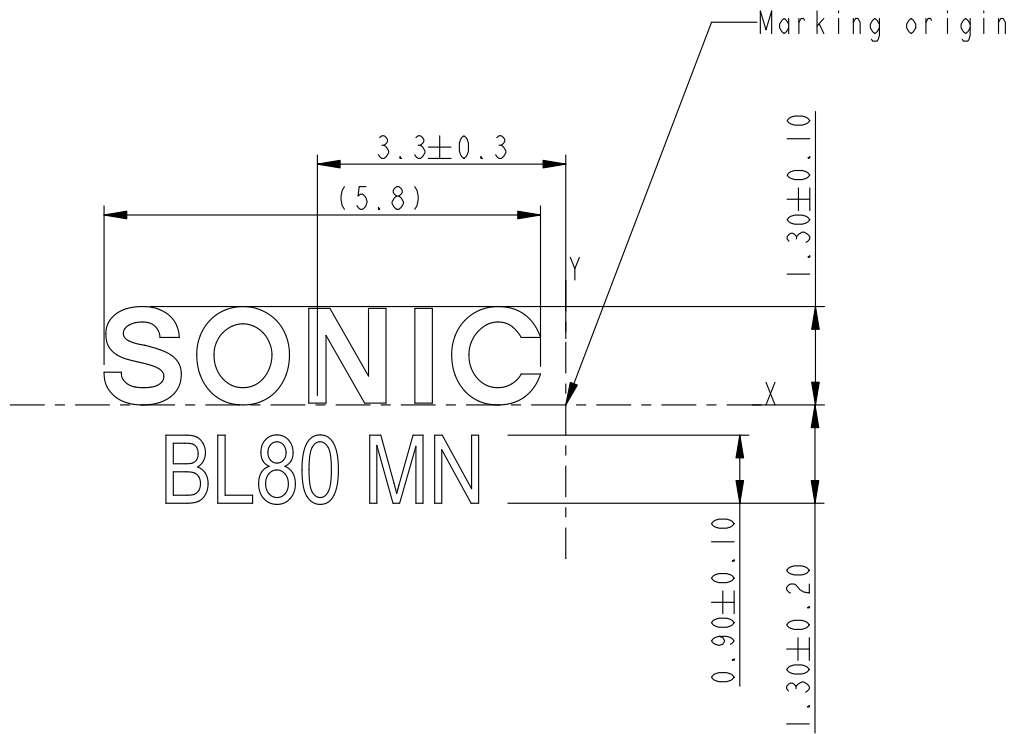


Marking to be filled.
 Model name font arial narrow or equivalent.
 Brand logo marking according to electrical .dxf file.

Scale 10:1				Sheet description -	
 		Initials	Date	Designation BL100 MN marking	Sheet No. 1 of 1 shts.
Originated by: WSC		24-04-2012			Ver. 6
Revised by:				Drawing No DOC-00019922	Category K
bernafon [®] Your hearing • Our passion				Revision 0	

All dimensions in millimetres. This drawing must not be passed on to any person not authorized by us to receive it nor copied or otherwise made use of by such person without our authority unless otherwise specified.

A4



Marking to be filled.

Model name font arial narrow or equivalent.

Brand logo marking according to electrical .dxf file.

Scale 10:1				Sheet description -	
 		Initials	Date	Designation BL80 MN marking	Sheet No. 1 of 1 shts.
Originated by: CHU		26-09-2012			Ver. 1
Revised by:				Drawing No DOC-00023465	Category K
bernafon [®] Your hearing • Our passion				Revision 0	