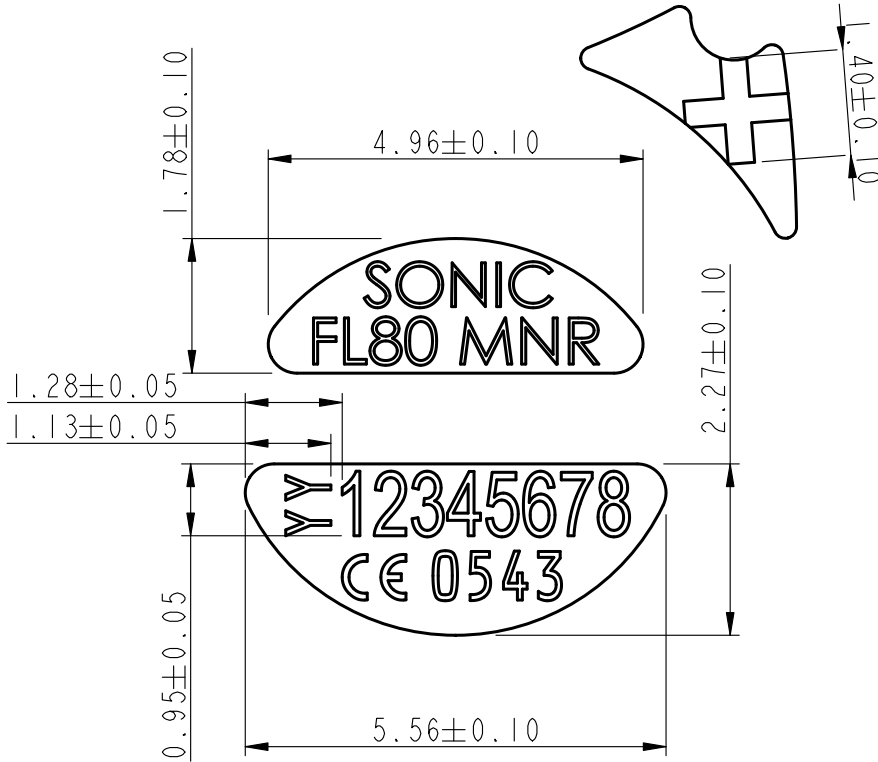


All dimensions in millimetres, unless otherwise specified. This drawing must not be passed on to any person not authorized by us to receive it nor copied or otherwise made use of by such person without our authority

A4

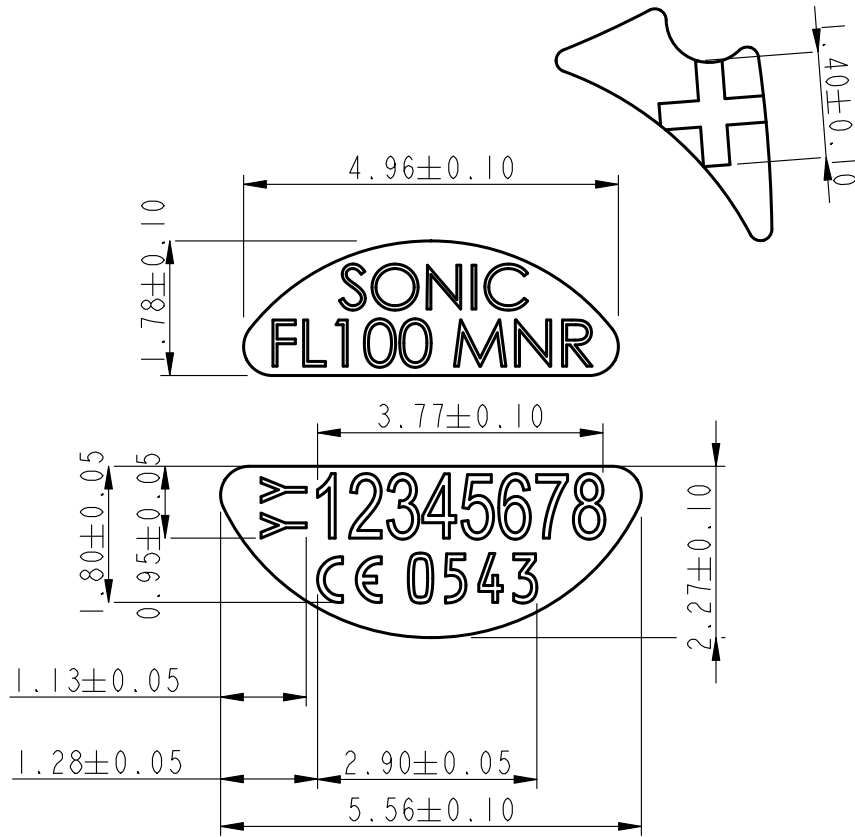


S/N font: Arial narrow or equivalent.
 S/N font size: 0.85 ± 0.05
 Year code font: Arial narrow or equivalent.
 Year code font size: 0.6 ± 0.05
 Other marking and outline according to electronical .dxf file.
 Marking to be filled.

Scale 10:1		Sheet description -	
	Initials CHU	Designation Marking, sticker set 80	Sheet No. 1
Originated by:	Revised by:		of shts.
bernafon [®] Your hearing • Our passion		Drawing No DOC-00011901	Category K
			Revision 0

A4

All dimensions in millimetres. This drawing must not be passed on to any person not authorized by us to receive it nor copied or otherwise made use of by such person without our authority unless otherwise specified.



S/N font: Arial narrow or equivalent.
Font size: 0.85±0.05

Year code font: Arial narrow or equivalent.
Font size: 0.6±0.05

Other marking and outline according to electronical file.

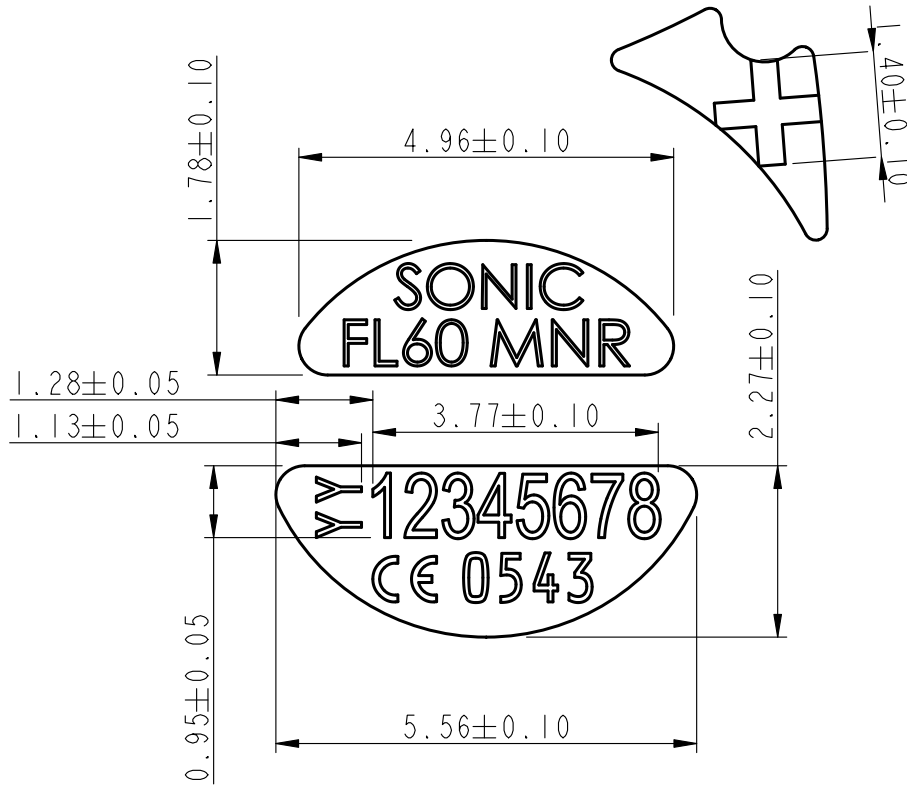
Marking to be filled

3D Filename DOC-00011902-Rev_T3-1

Scale 20:1		Sheet description -	3D File Revision T3.1
	Initials CHU	Designation Sticker, set 100	Sheet No. 1
Originated by:			of shts.
Revised by:			
bernafon [®] Your hearing • Our passion	Drawing No DOC-00011902	Category K	Revision T5

All dimensions in millimetres. This drawing must not be passed on to any person not authorized by us to receive it nor copied or otherwise made use of by such person without our authority.

A4

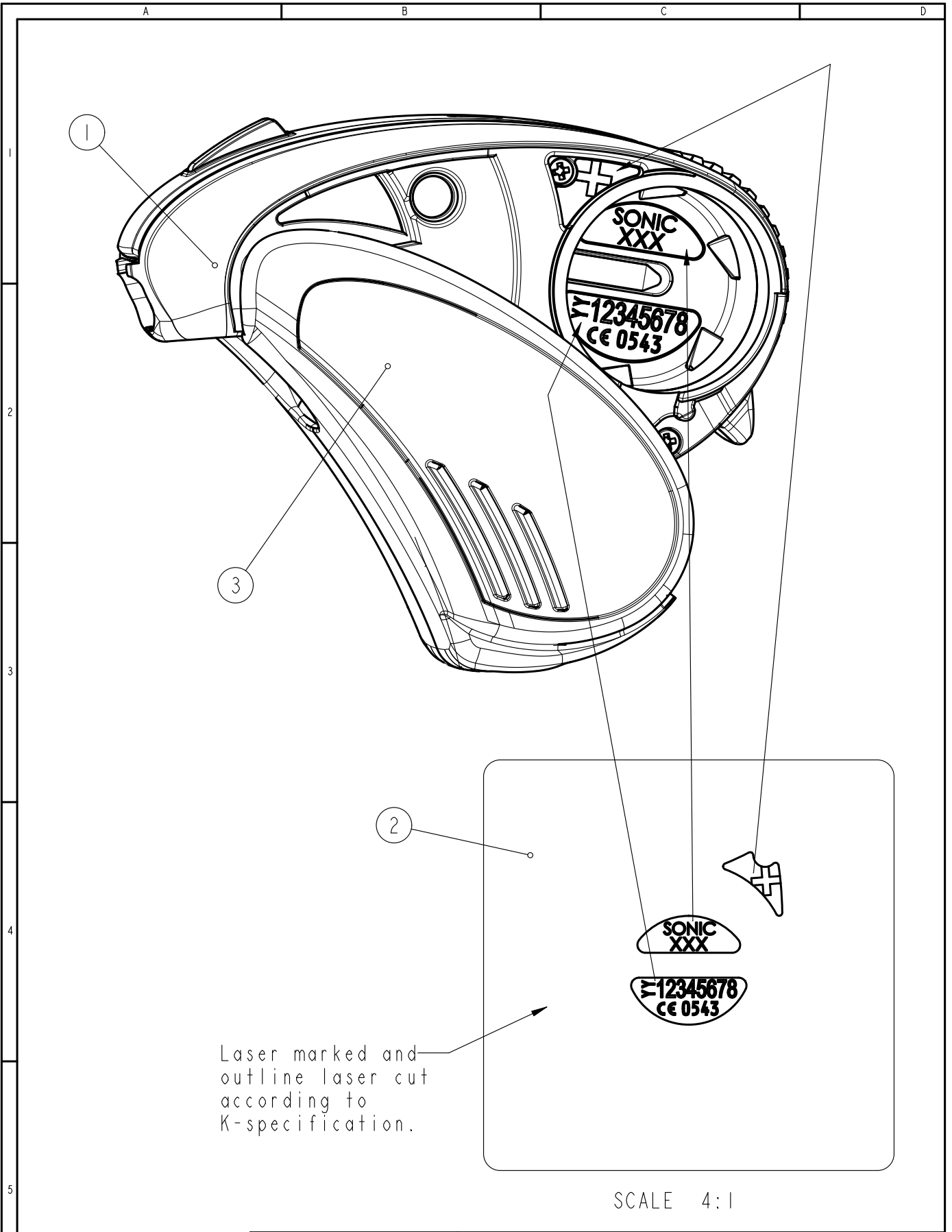


S/N font: Arial narrow or equivalent.
 S/N font size: 0.85 ± 0.05
 Year code font: Arial narrow or equivalent.
 Year code font size: 0.6 ± 0.05
 Other marking and outline according to electronical .dxf file.
 Marking to be filled.

Scale 10:1		Sheet description -	
	Initials CHU	Designation Marking, sticker set 60	Sheet No. 1
Originated by:	Revised by:		of shts.
bernafon [®] Your hearing • Our passion		Drawing No DOC-00011903	Category K
			Revision 0

All dimensions in millimetres. This drawing must not be passed on to any person not authorized by us to receive it nor copied or otherwise made use of by such person without our authority unless otherwise specified.

A 4



Scale 5:1		Sheet description -	
Originated by:	Initials JBU	Designation MNR, VC PS	Sheet No. 1
Revised by:			of shts.
bernafon [®] Your hearing • Our passion		Drawing No DOC-00014846	Category A
			Revision 0