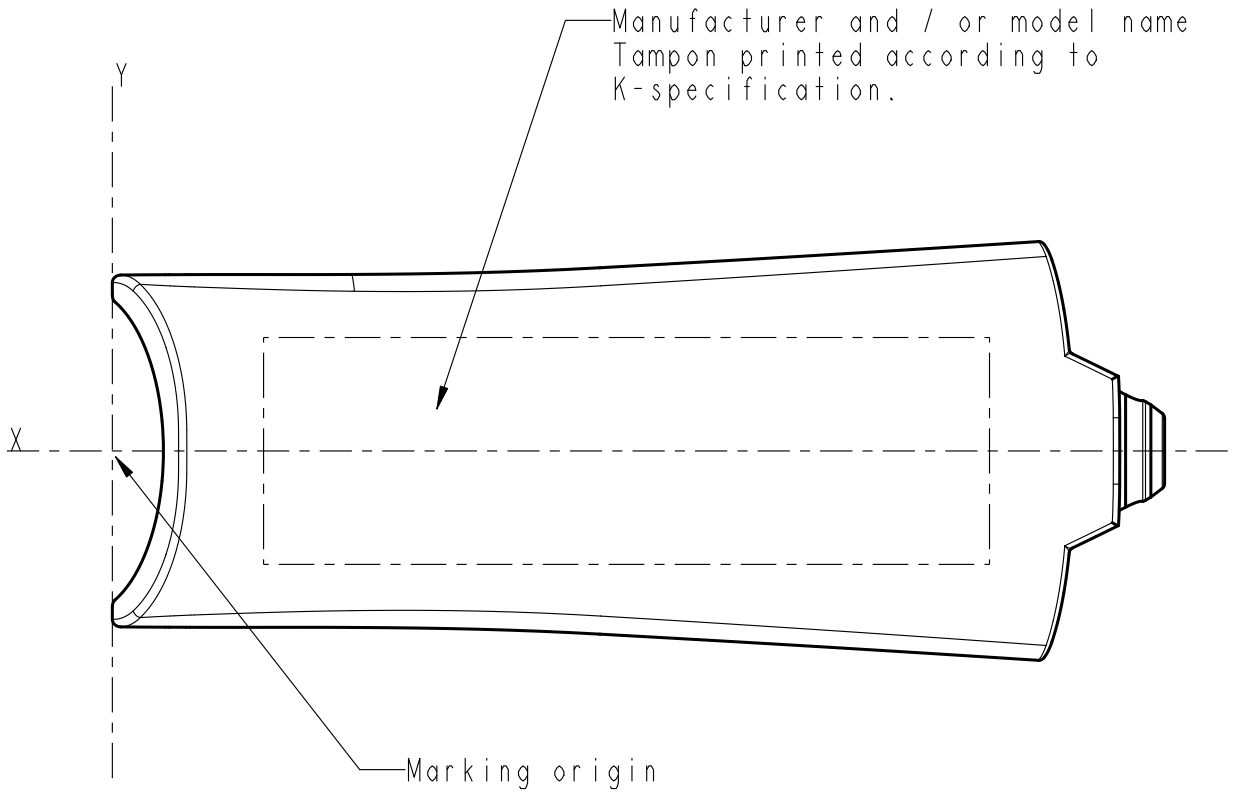


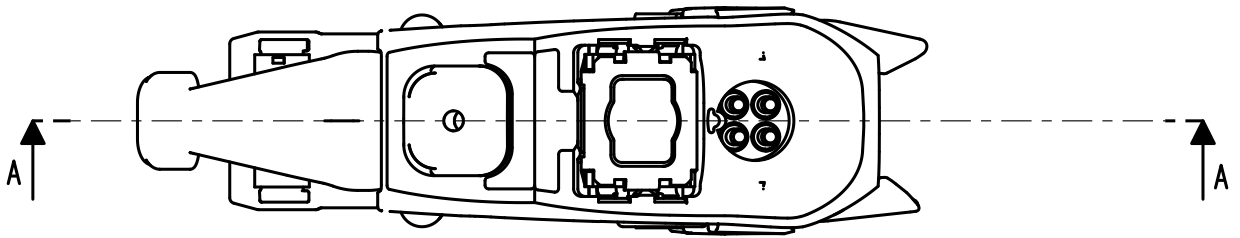
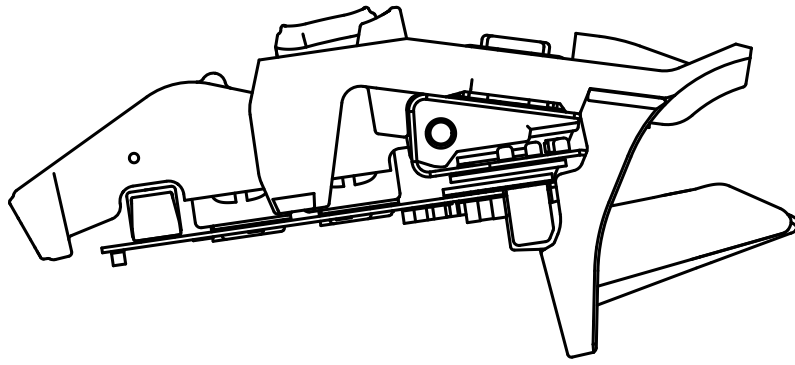
All dimensions in millimetres, unless otherwise specified. This drawing must not be passed on to any person not authorized by us to receive it nor copied or otherwise made use of by such person without our authority

A4

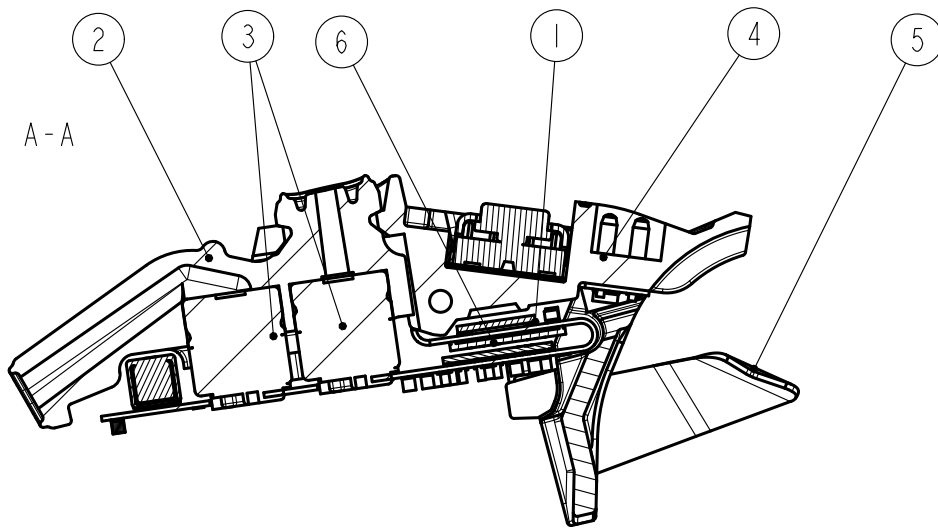


Scale 10:1				Sheet description	
 		Initials	Date	Designation Cover, receiver tampon print	Sheet No. 1 of 1 shts.
Originated by: ai		17-01-2012			Ver. 6
Revised by:				Drawing No DOC-00018394	Category A
				Revision 0	

All dimensions in millimetres. This drawing must not be passed on to any person not authorized by us to receive it nor copied or otherwise made use of by such person without our authority unless otherwise specified.



SECTION A-A



SCALE 1:1

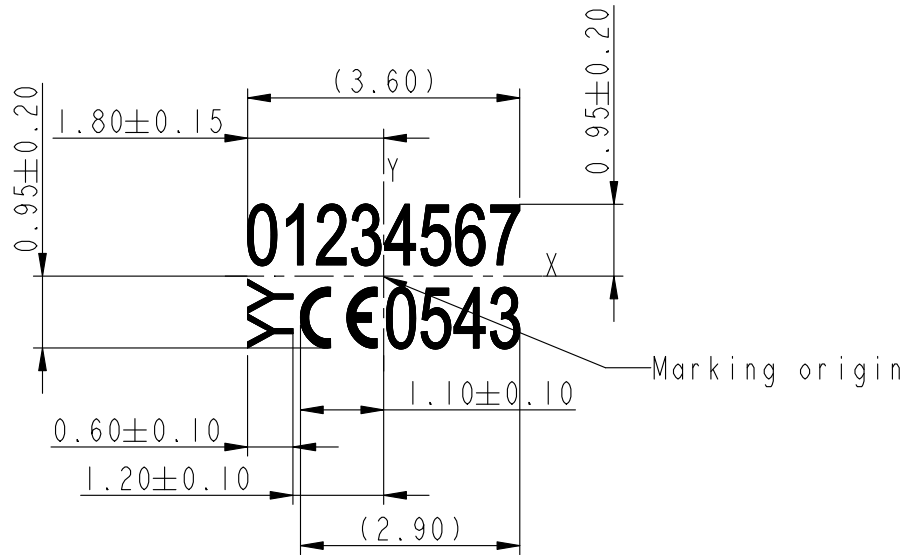
All consumable materials according to parts lists and applied as defined on working instructions.

Scale 5:1				Sheet description	
 		Initials	Date	Designation Assy. N BTE Fusion2	Sheet No. 1
Originated by: MSP		06-05-2012			of 1 shts.
Revised by:				Ver. 6	
		Drawing No		Category	Revision
		DOC-00020536		A	0

S/N and Yearcode font Arial narrow or equivalent
 CE Font according to electronic .eps file
 Font size 0.80 ± 0.10

A4

All dimensions in millimetres. This drawing must not be passed on to any person not authorized by us to receive it nor copied or otherwise made use of by such person without our authority unless otherwise specified.

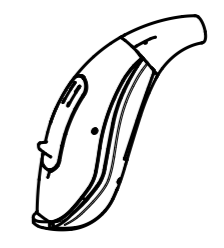
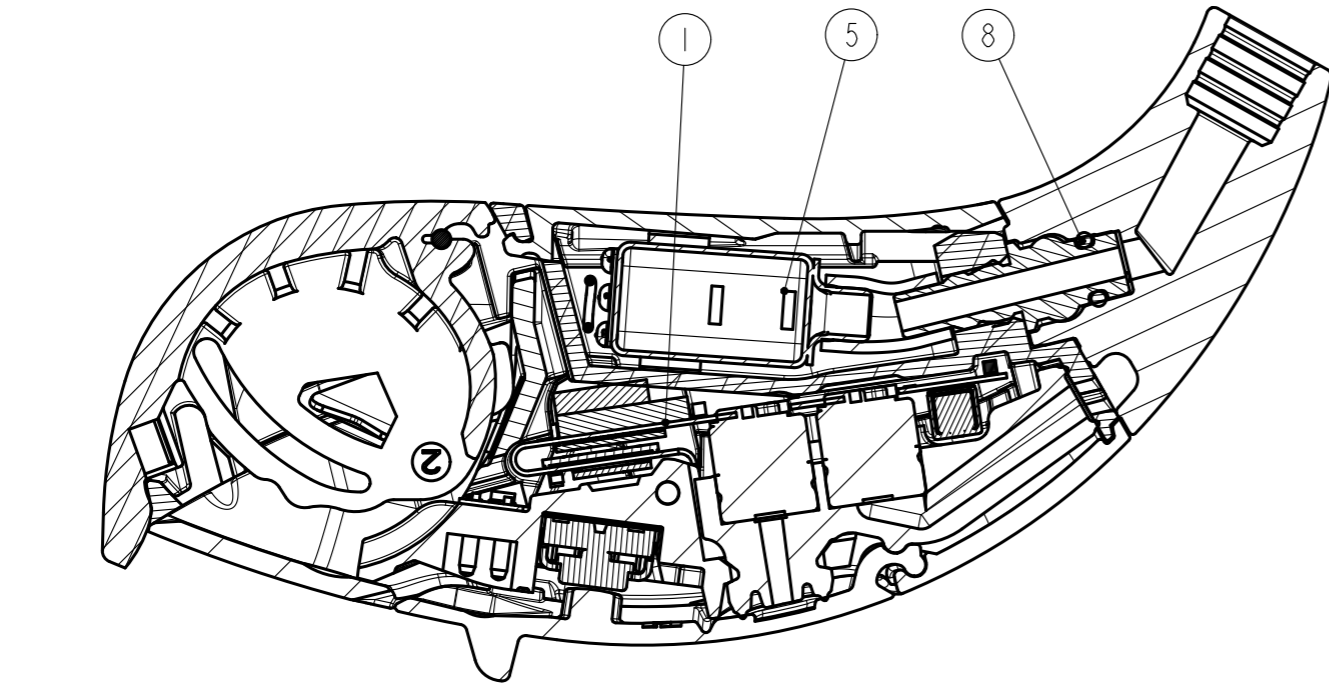
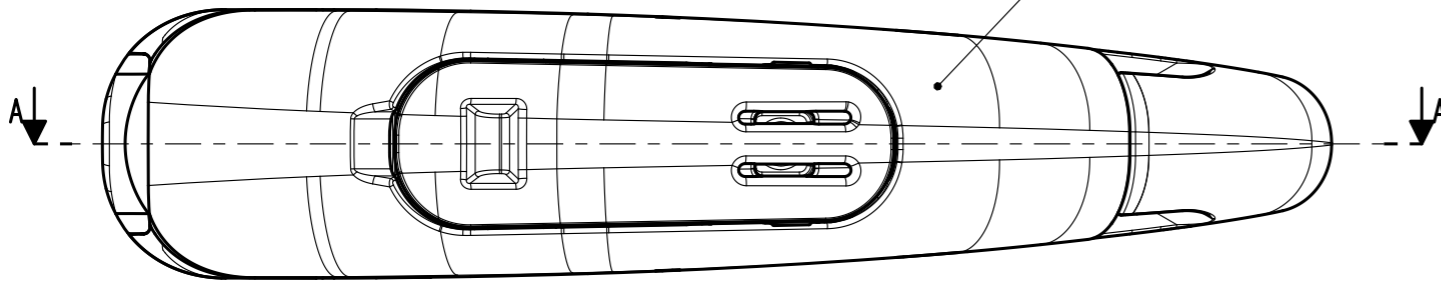
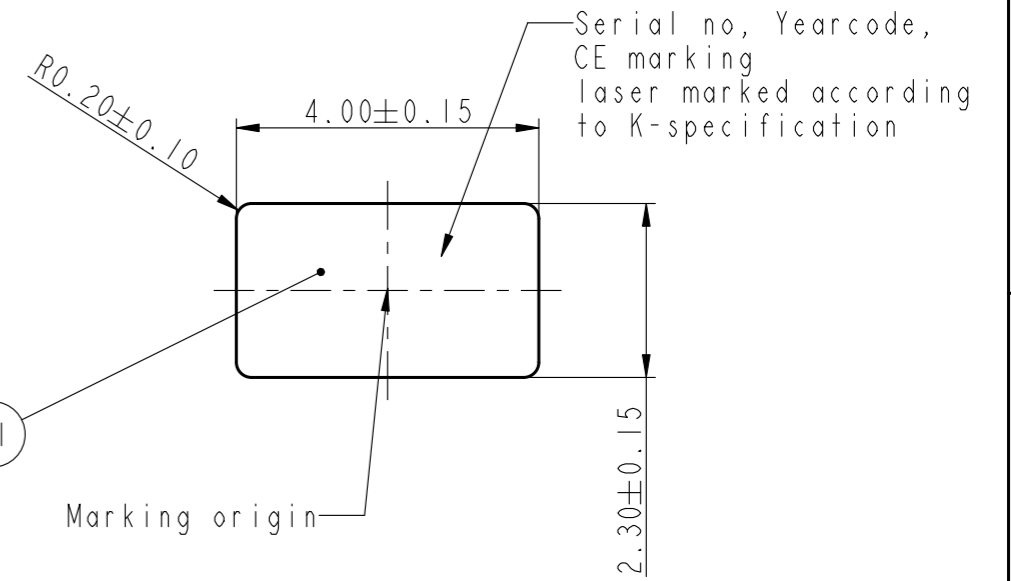
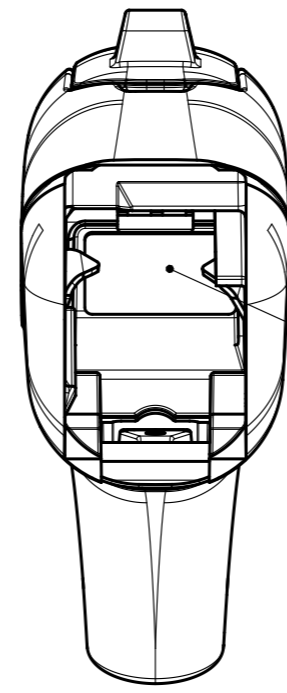
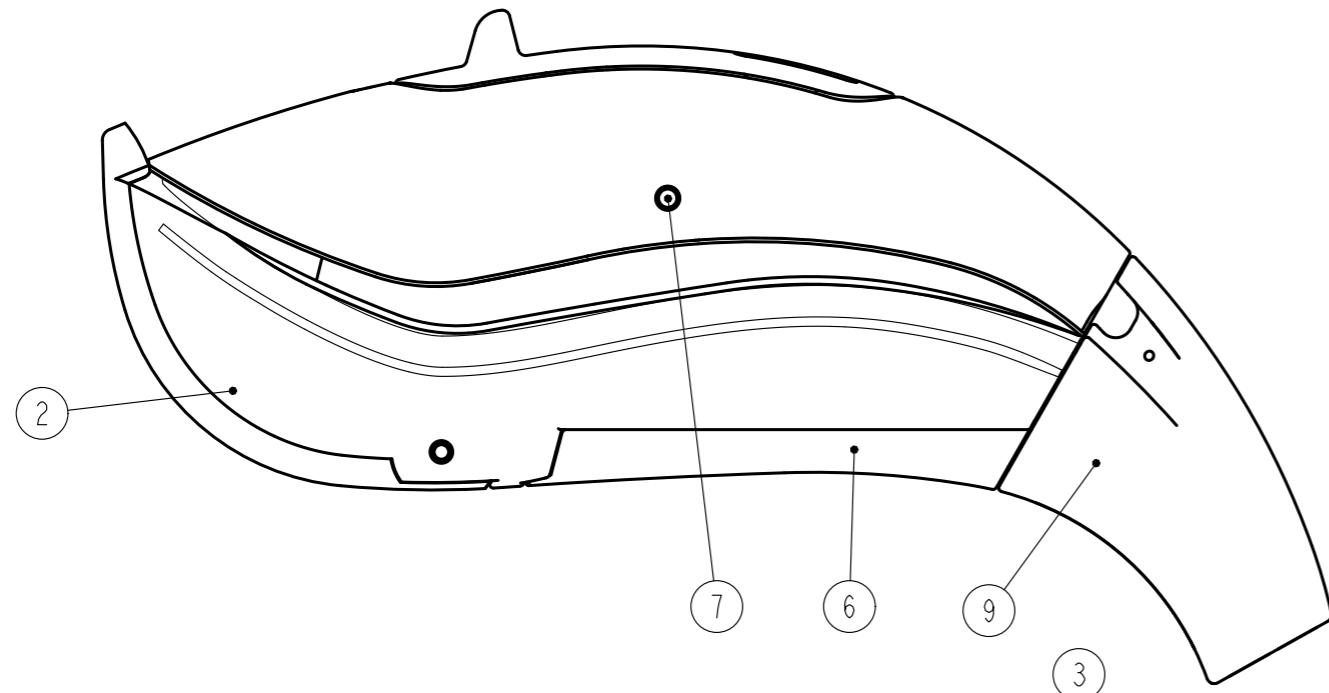


Scale 10:1				Sheet description	
 		Initials	Date	Designation Cliché "SN, YC and CE0543"	Sheet No. 1 of 1 shts.
Originated by: MSP		16-07-2012			Ver. 2
Revised by:				Drawing No DOC-00021639	Category K
bernafon [®] Your hearing • Our passion				Revision 0	

All dimensions in millimetres, unless otherwise specified.

A3

Shown without drawer



SCALE 1:1

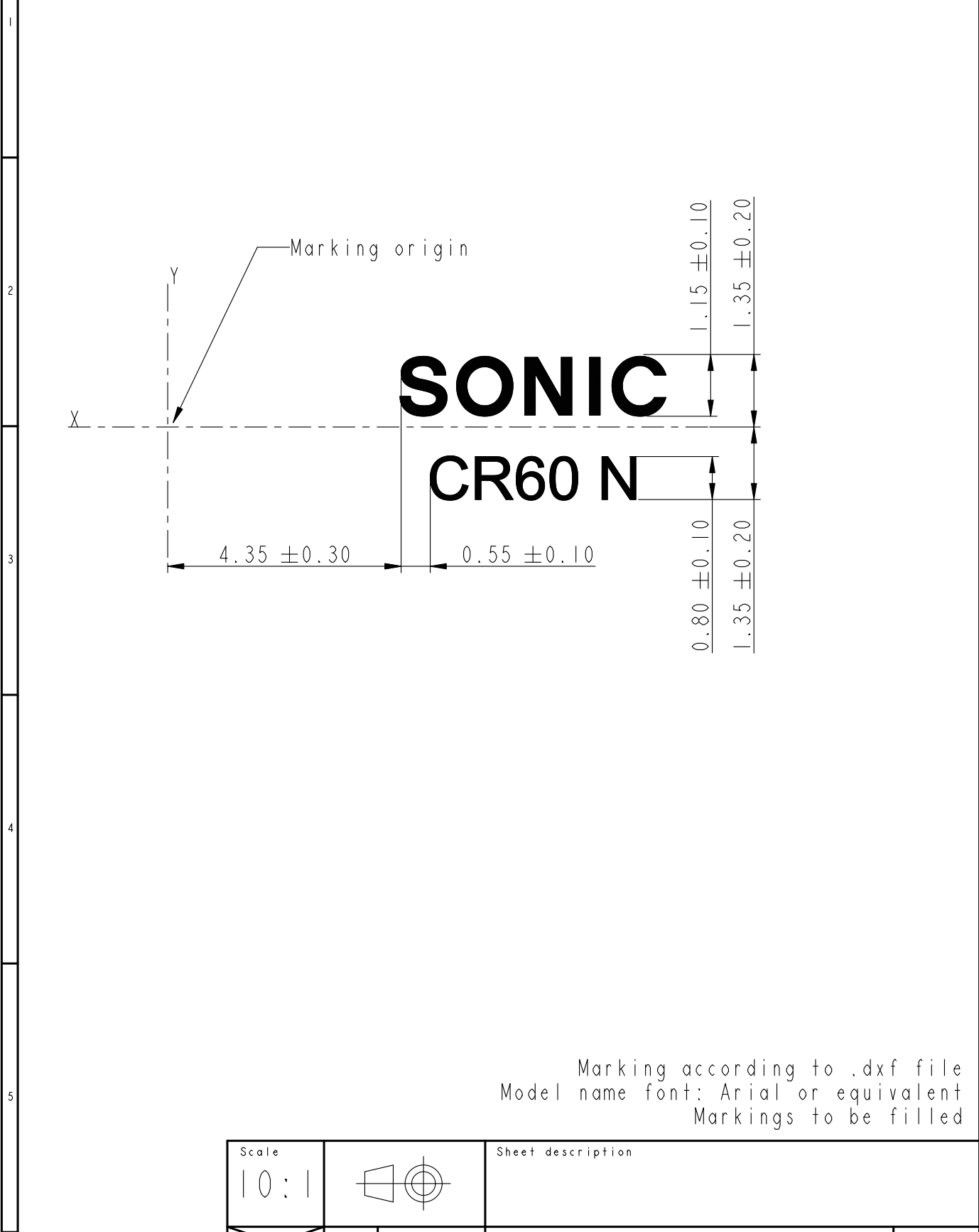
SECTION A-A

All consumable materials according to parts lists and applied as defined on working instructions

Scale 5:1		Sheet description																					
<table border="1"> <tr> <td>Originated by:</td> <td>MSP</td> <td>Date</td> <td>30-05-2013</td> </tr> <tr> <td>Revised by:</td> <td></td> <td></td> <td></td> </tr> </table>		Originated by:	MSP	Date	30-05-2013	Revised by:				<table border="1"> <tr> <td colspan="2">Designation</td> <td>Sheet No.</td> </tr> <tr> <td colspan="2">N BTE Fusion2 painted</td> <td>1 of 1shts.</td> </tr> <tr> <td colspan="2">Drawing No</td> <td>Ver. 1</td> </tr> <tr> <td colspan="2">DOC-00029959</td> <td></td> </tr> </table>		Designation		Sheet No.	N BTE Fusion2 painted		1 of 1shts.	Drawing No		Ver. 1	DOC-00029959		
Originated by:	MSP	Date	30-05-2013																				
Revised by:																							
Designation		Sheet No.																					
N BTE Fusion2 painted		1 of 1shts.																					
Drawing No		Ver. 1																					
DOC-00029959																							
		Category A	Revision 0																				

This document is the property of Oticon/Bernafon/Sonic (all part of the William Demant Group) and may not be copied or communicated to a third party, or used for any purpose other than that for which it is supplied without the express written consent of the William Demant Group. No warranty or representation is given concerning such information, which must not be taken as establishing any contractual or other commitment upon the William Demant Group or any of its subsidiary or associated companies.

All dimensions in millimetres, unless otherwise specified.



Marking according to .dxf file
 Model name font: Arial or equivalent
 Markings to be filled

Scale 10:1				Sheet description	
 		Initials	Date	Designation	
Originated by: MSP		2015-03-09		Cliché "CR60 N Sonic"	
Revised by:				Sheet No. 1 of 1 shts.	
				Ver. 4	
		Drawing No		Category	Revision
		DOC-00044220		K	0