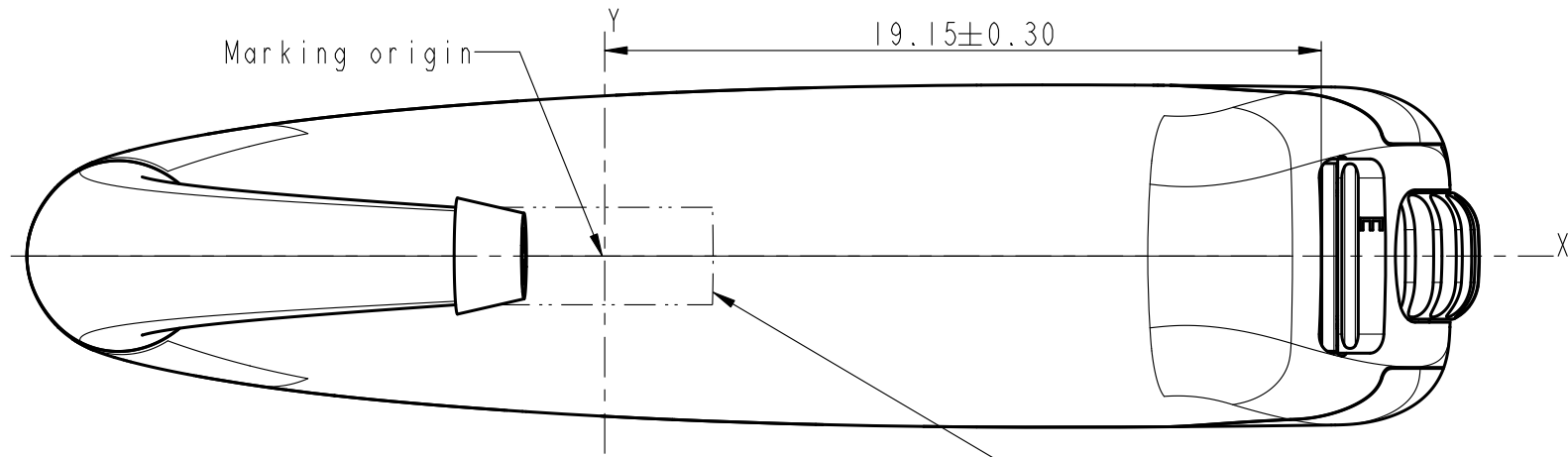


This drawing must not be passed on to any person not authorized by us to receive it nor copied or otherwise made use of by such person without our authority.

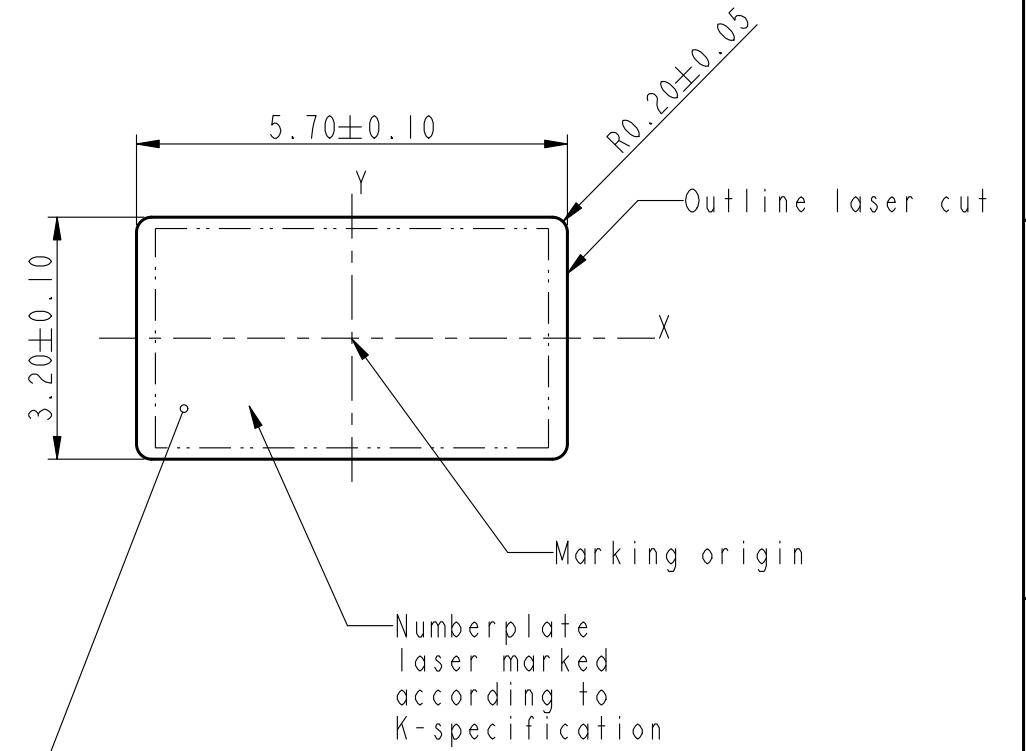
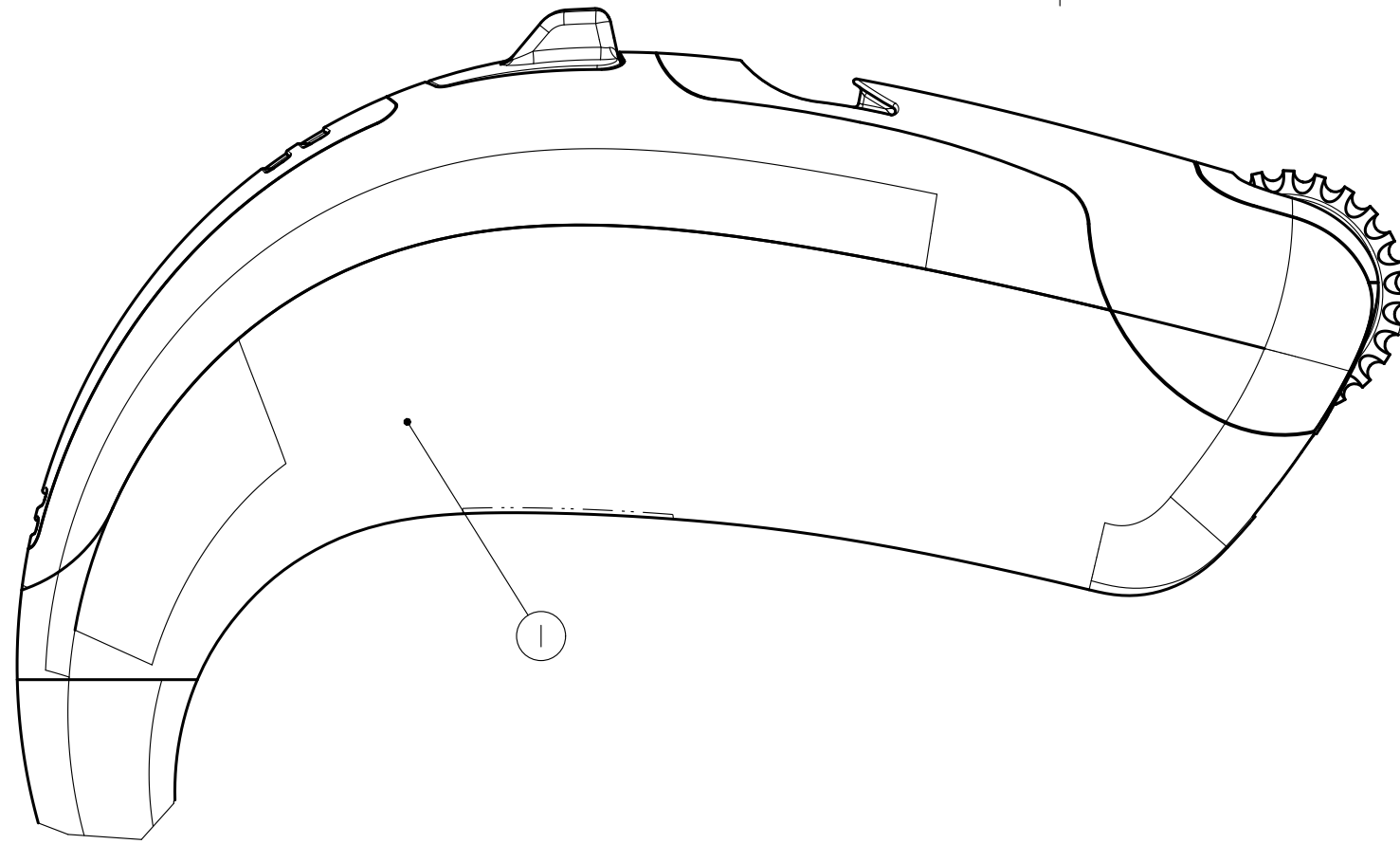
A3

All dimensions in millimetres, unless otherwise specified.

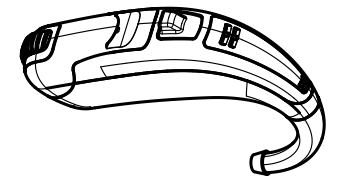
888 83 013



Brand logo and model name laser marked according to K-specification

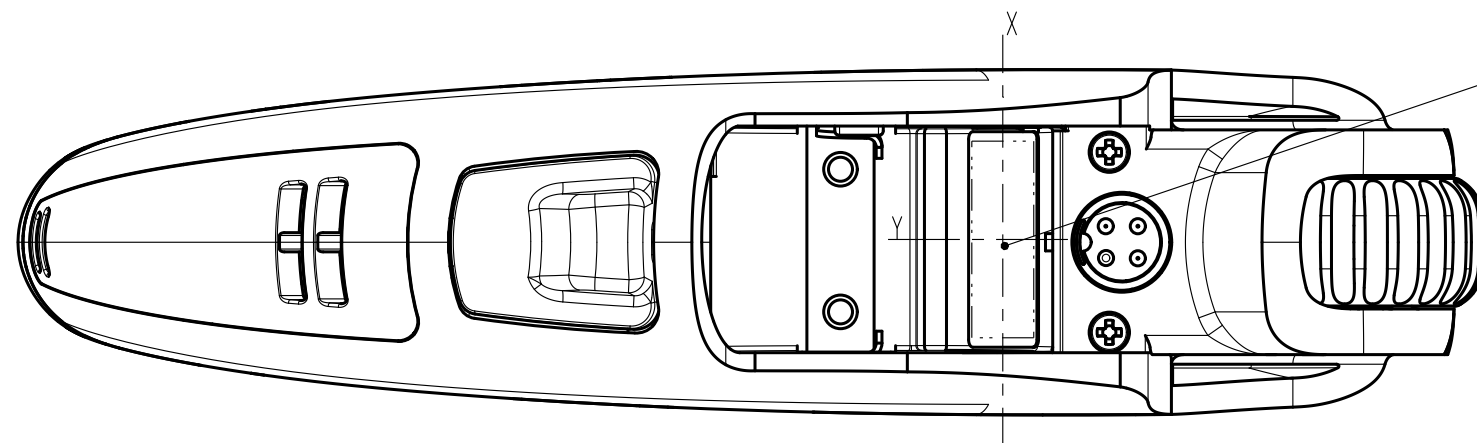


3



SCALE 1:1

Adapter (2) enclosed in blister



Drawn without battery door and lock for battery on/off

Scale 5:1		Sheet description -	
Initials Date Originated by: PWA 09-04-2013		Designation BTE, VC PS	
Revised by:		Sheet No. 1 of 1 shts.	
bernafon® Your hearing · Our passion		Drawing No DOC-00023923	
		Category A	
		Revision 0	

All dimensions in millimetres. This drawing must not be passed on to any person not authorized by us to receive it nor copied or otherwise made use of by such person without our authority unless otherwise specified.

A 4

1

2

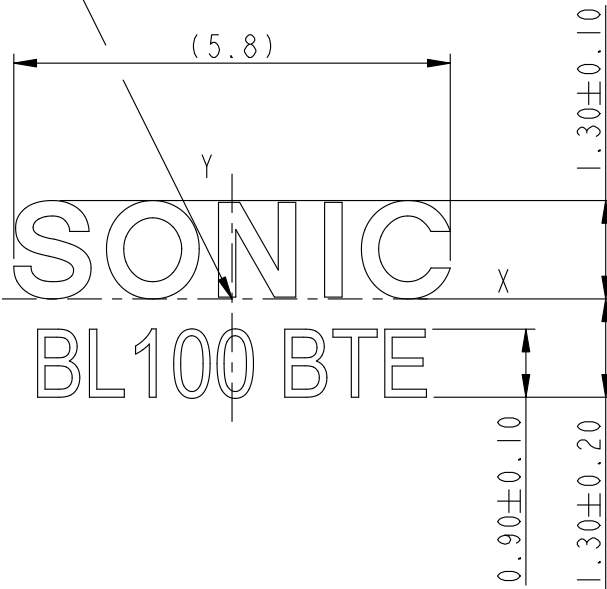
3

4

5

6

Marking origin



Marking to be filled.

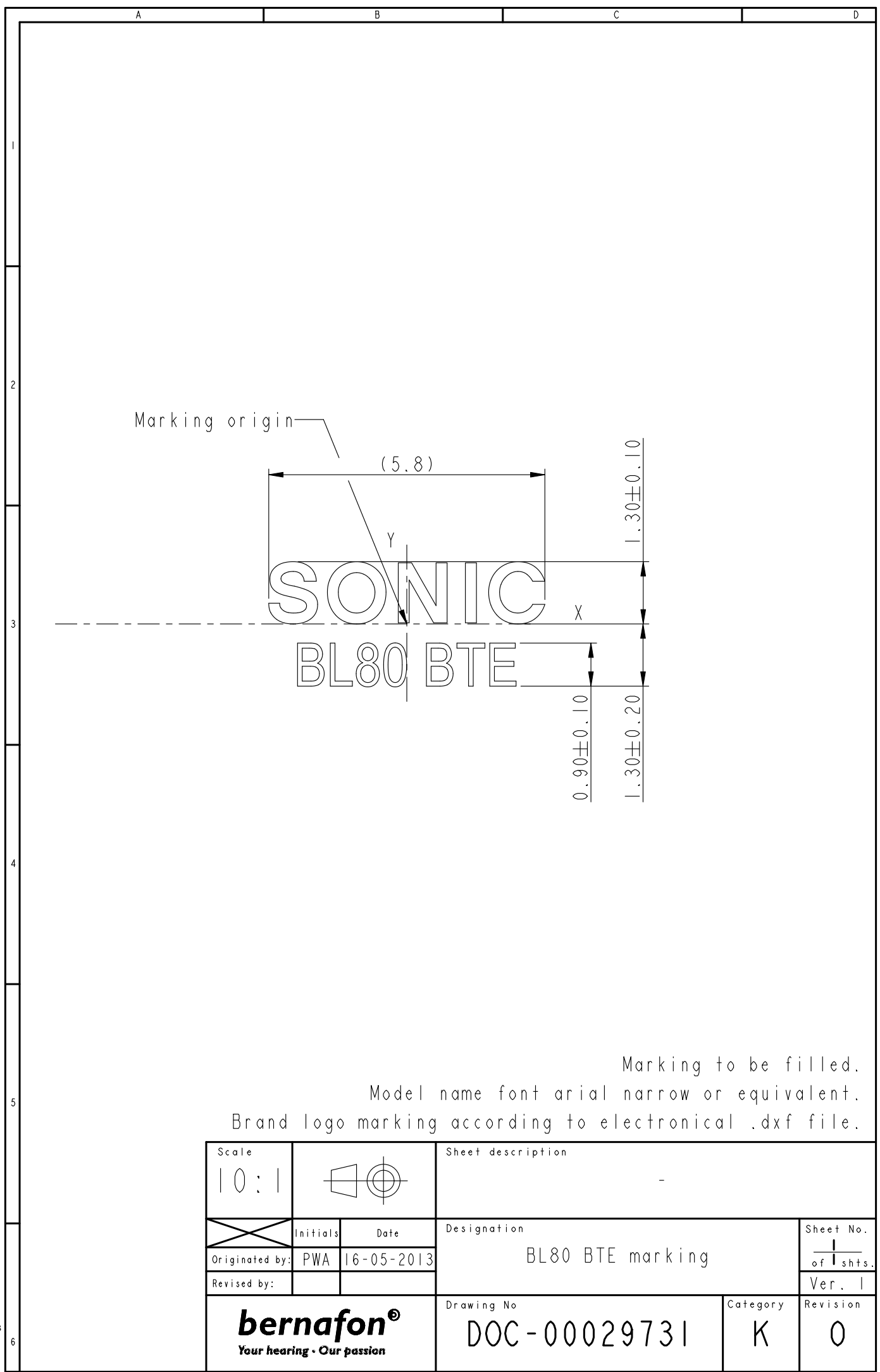
Model name font arial narrow or equivalent.

Brand logo marking according to electrical .dxf file.

Scale 10:1				Sheet description -	
 		Initials	Date	Designation BL100 BTE marking	Sheet No. 1 of 1 shts.
Originated by: PWA		09-04-2013			Ver. 1
Revised by:				Drawing No DOC-00023925	Category K
bernafon® Your hearing · Our passion				Revision 0	

A4

All dimensions in millimetres. This drawing must not be passed on to any person not authorized by us to receive it nor copied or otherwise made use of by such person without our authority unless otherwise specified.



Marking to be filled.

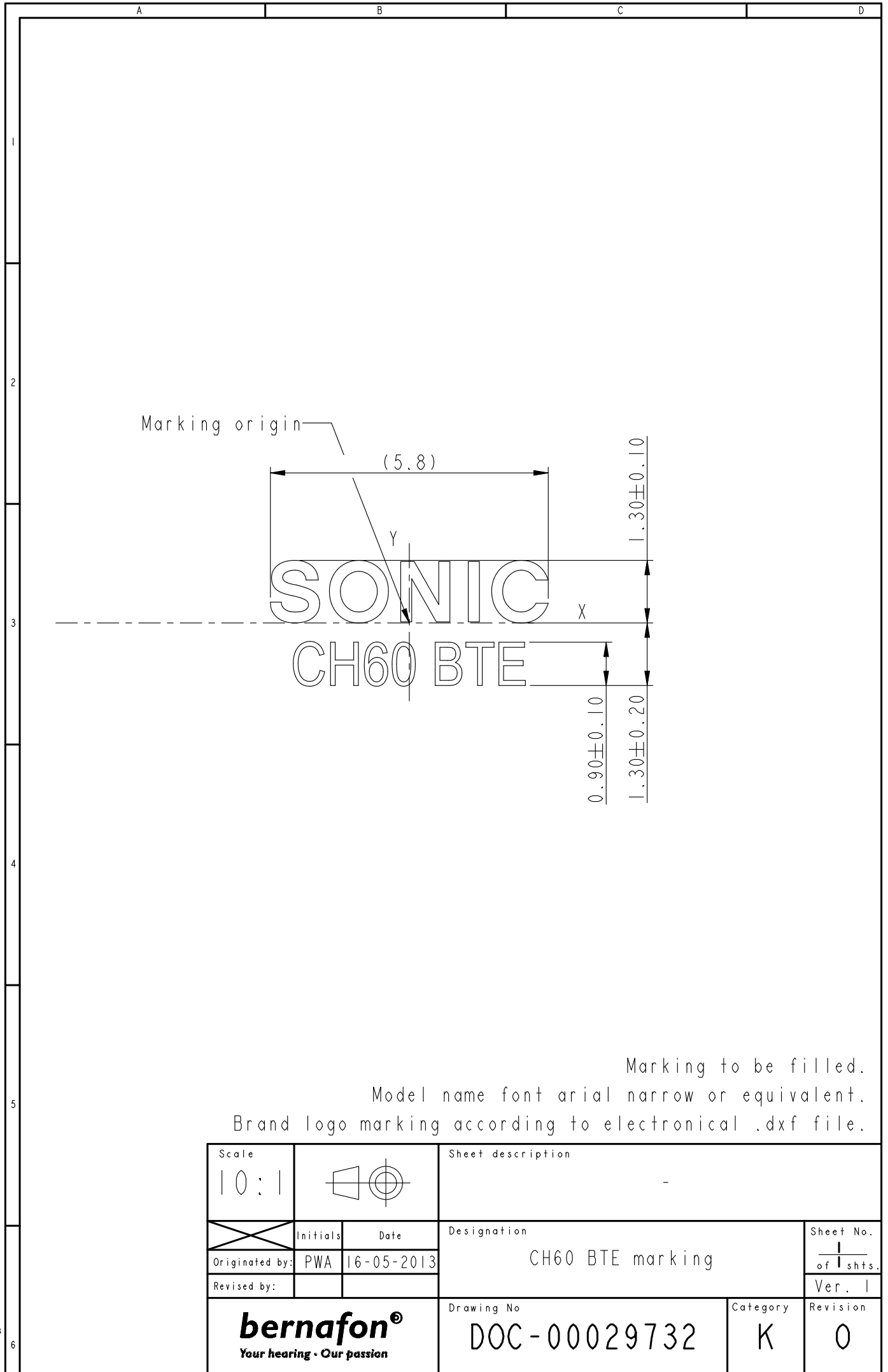
Model name font arial narrow or equivalent.

Brand logo marking according to electrical .dxf file.

Scale 10:1				Sheet description -	
 		Initials	Date	Designation BL80 BTE marking	Sheet No. 1 of 1 shts.
Originated by: PWA		16-05-2013			Ver. 1
Revised by:				Drawing No DOC-00029731	Category K
bernafon [®] Your hearing · Our passion				Revision 0	

A 4

All dimensions in millimetres. This drawing must not be passed on to any person not authorized by us to receive it nor copied or otherwise made use of by such person without our authority unless otherwise specified.



Marking to be filled.

Model name font arial narrow or equivalent.

Brand logo marking according to electrical .dxf file.

Scale 10:1				Sheet description -	
Originated by:		Initials PWA	Date 16-05-2013	Designation CH60 BTE marking	
Revised by:				Sheet No. 1 of 1 shts.	
				Ver. 1	
			Drawing No DOC-00029732		Category K
					Revision 0