
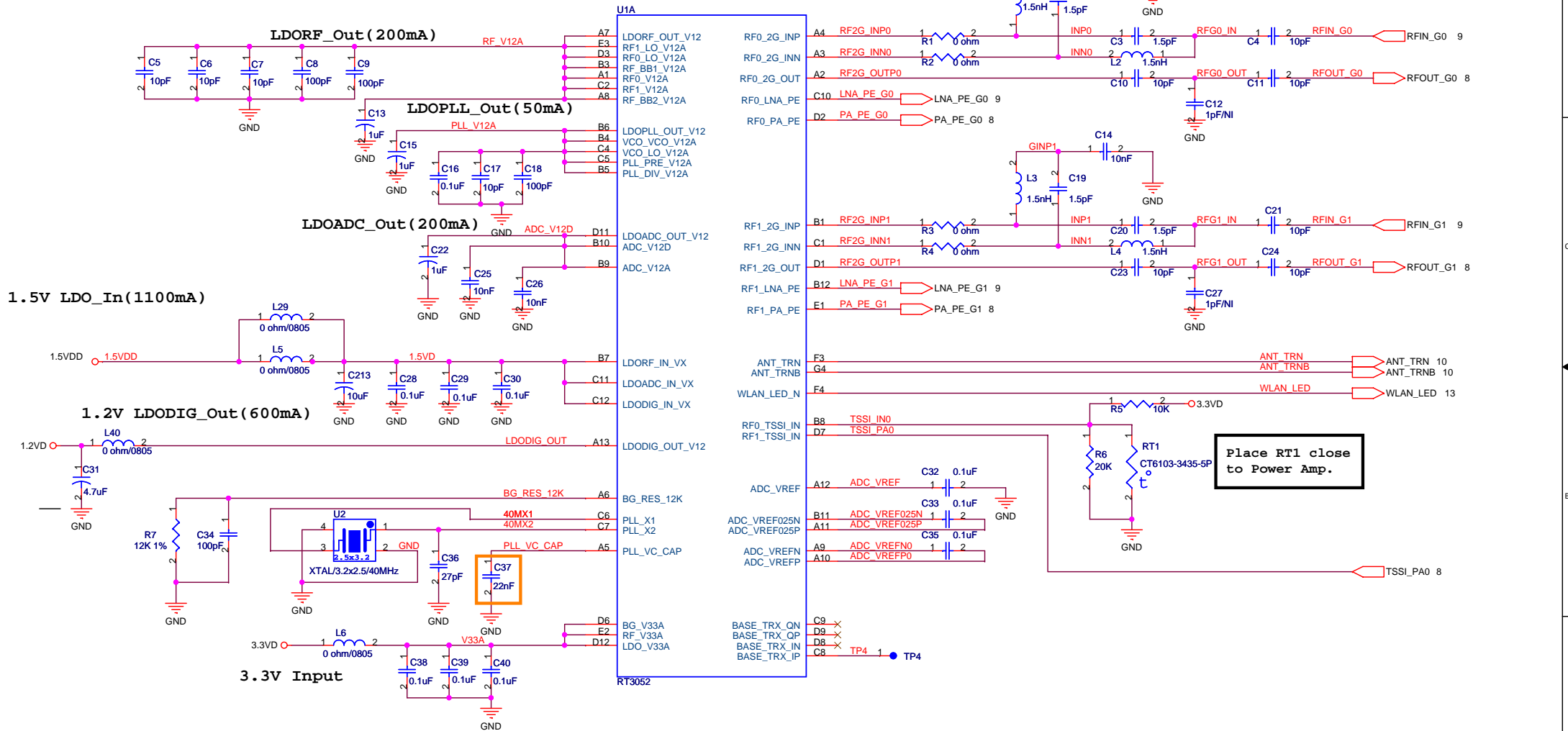



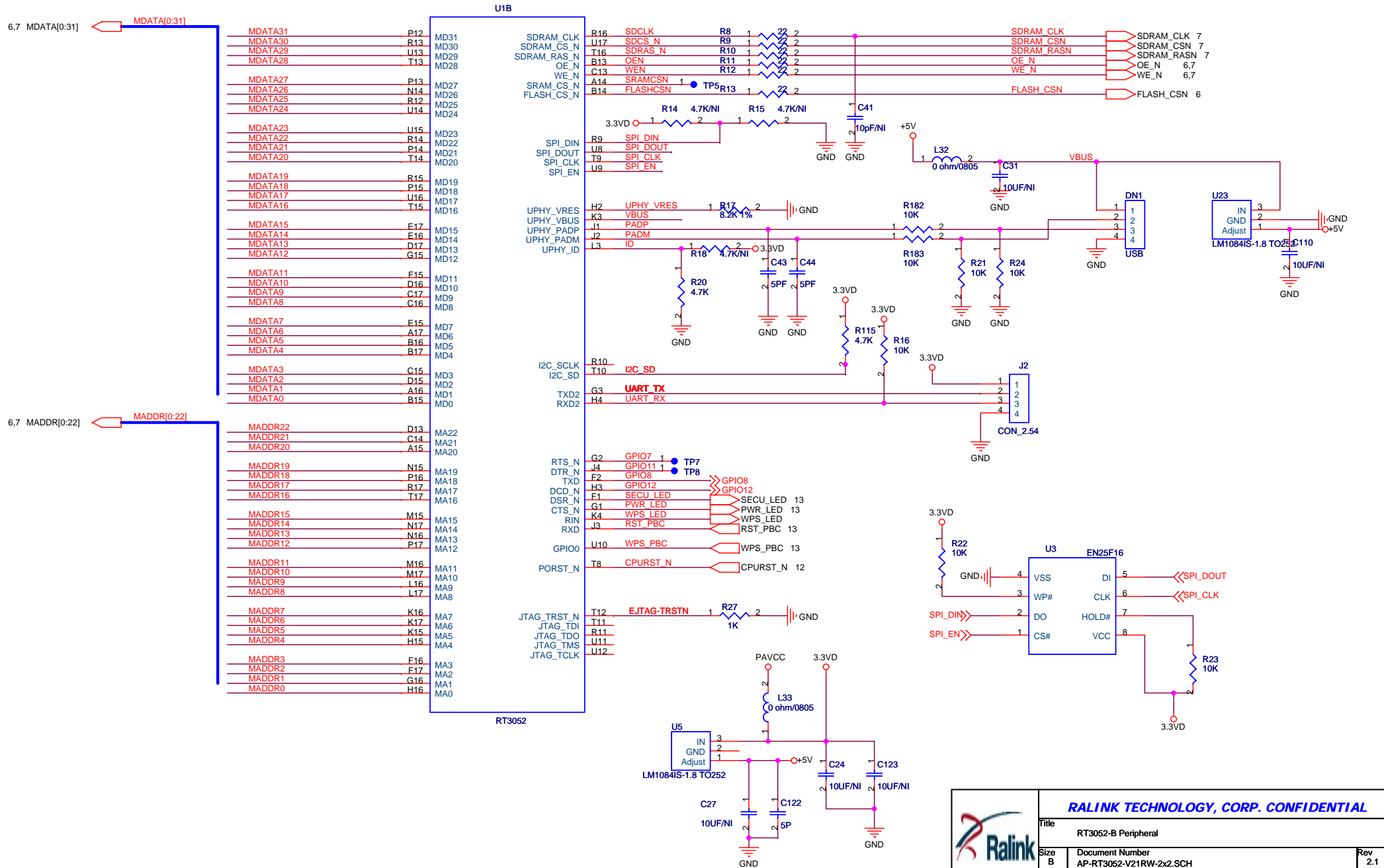
Filename:
AP-RT3052-V21RW-2X2-080701.DSN

		RALINK TECHNOLOGY, CORP. CONFIDENTIAL	
		Title 11n 2.4G AP-RT3052	
Size B	Document Number AP-RT3052-21RW.SCH		Rev 2.1
Date: Tuesday, July 01, 2008	Sheet 1 of 14		

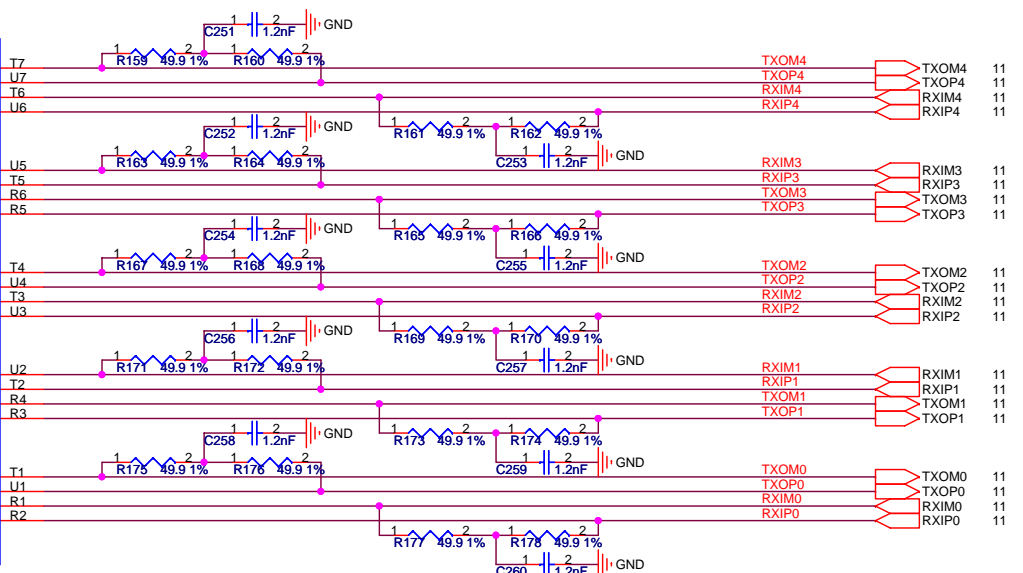
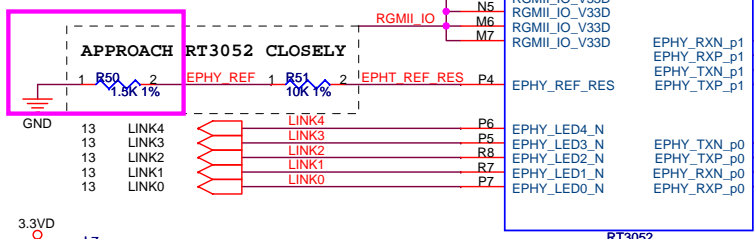
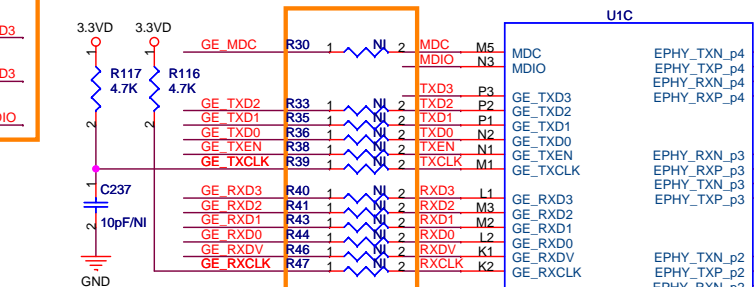
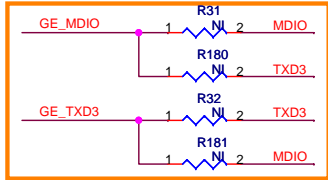
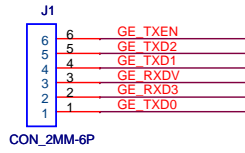


Place RT1 close to Power Amp.

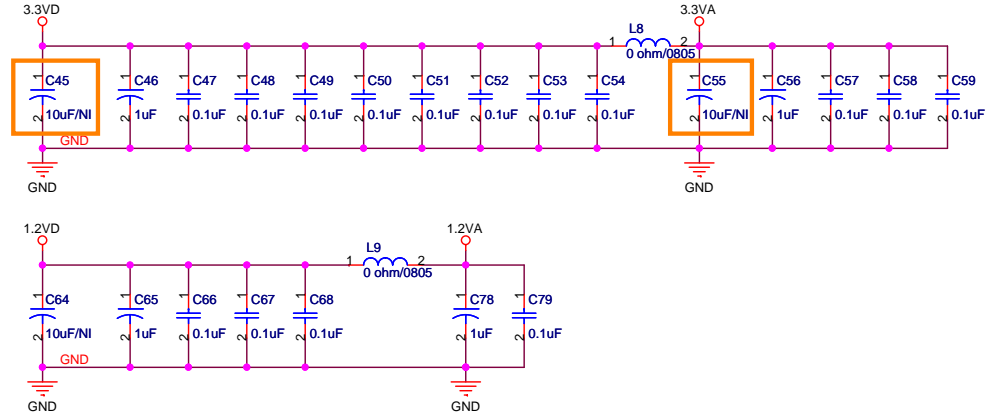
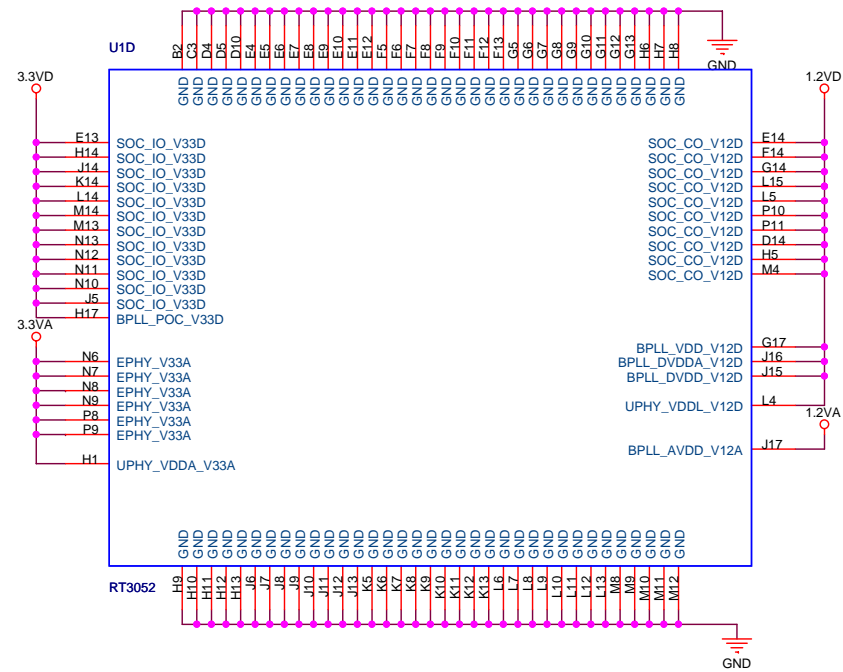
		RALINK TECHNOLOGY, CORP. CONFIDENTIAL	
		Title RT3052-A RF	
Size B	Document Number AP-RT3052-V21RW-2x2.SCH		Rev 2.1
Date:	Thursday, January 06, 2011		Sheet 2 of 14




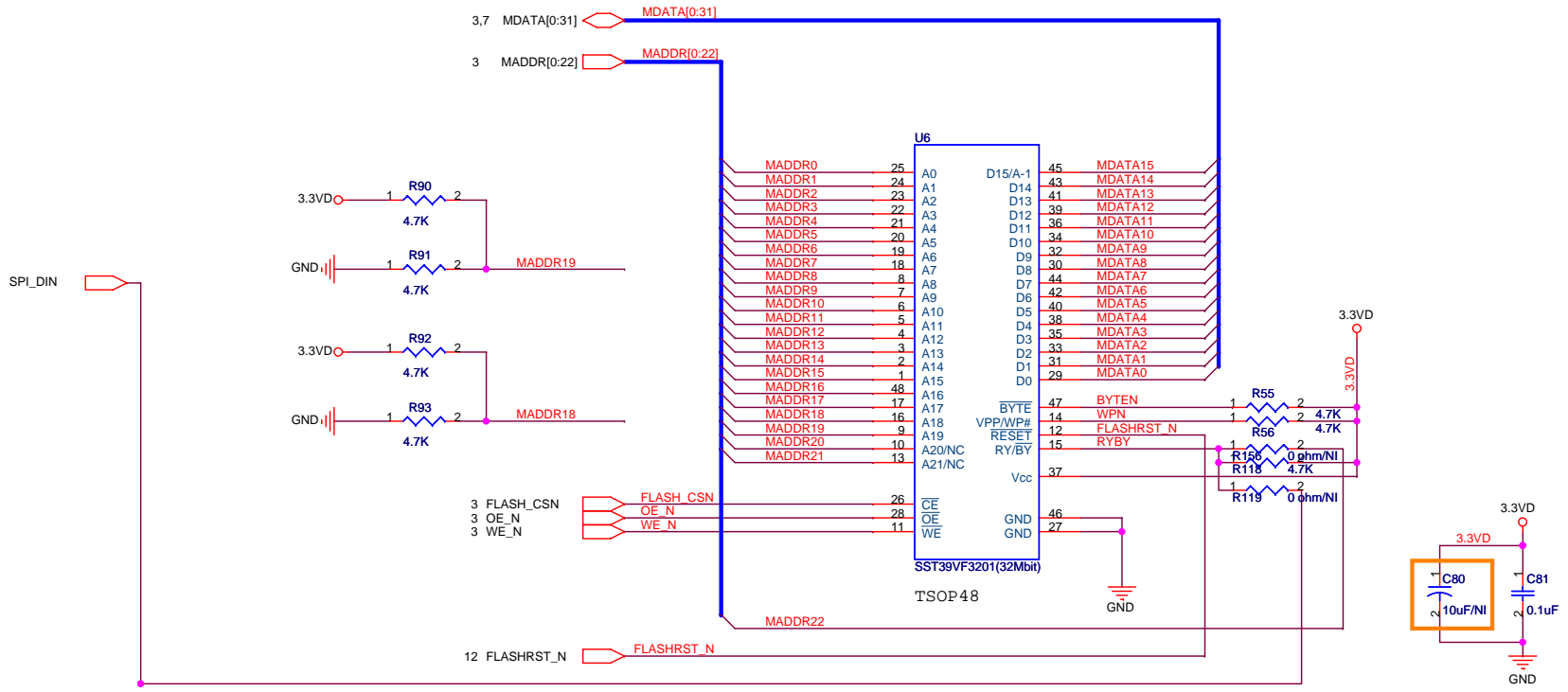
RALINK TECHNOLOGY, CORP. CONFIDENTIAL		
Title: RT3052-B Peripheral		
Size: B	Document Number: AP-RT3052-V21RW-2x2.SCH	Rev: 2.1
Date: Wednesday, January 05, 2011	Sheet: 3	of 14

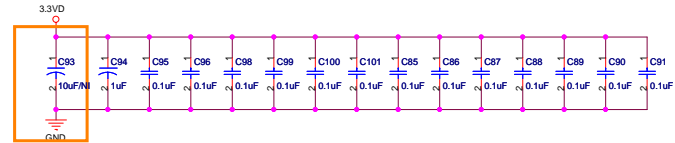
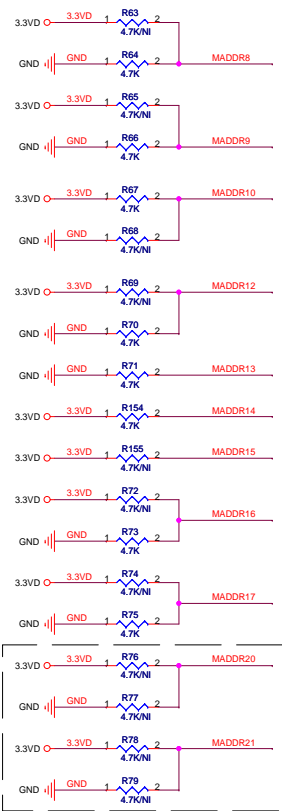
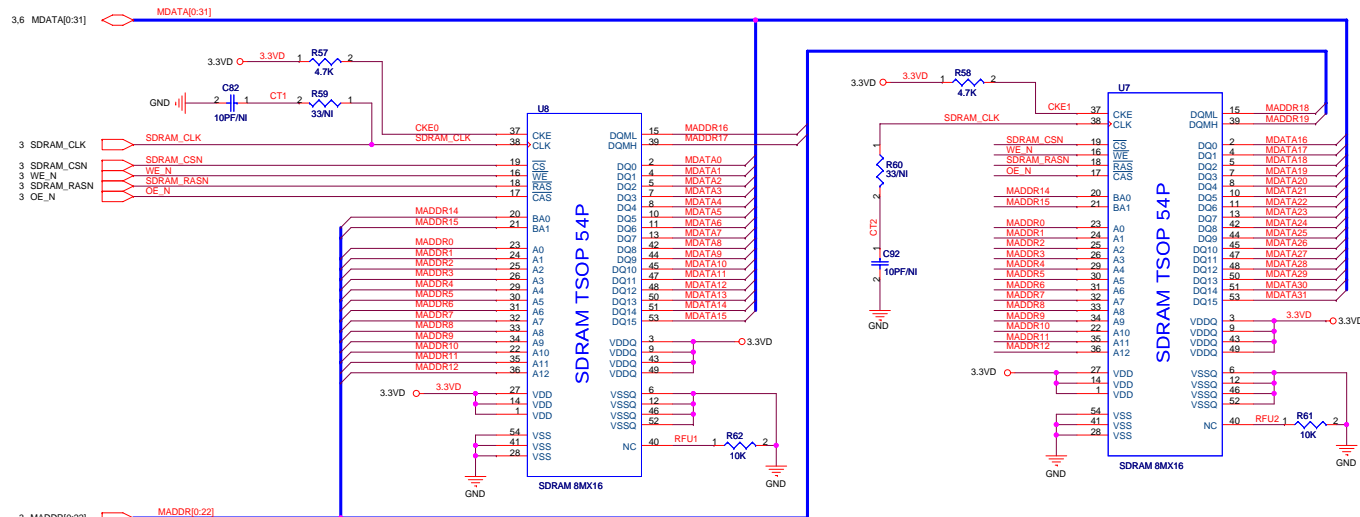


		RALINK TECHNOLOGY, CORP. CONFIDENTIAL	
		Title RT3052-C Ethernet	
Size B	Document Number AP-RT3052-V21RW-2x2.SCH	Rev 2.1	
Date: Friday, May 28, 2010	Sheet 4	of 14	



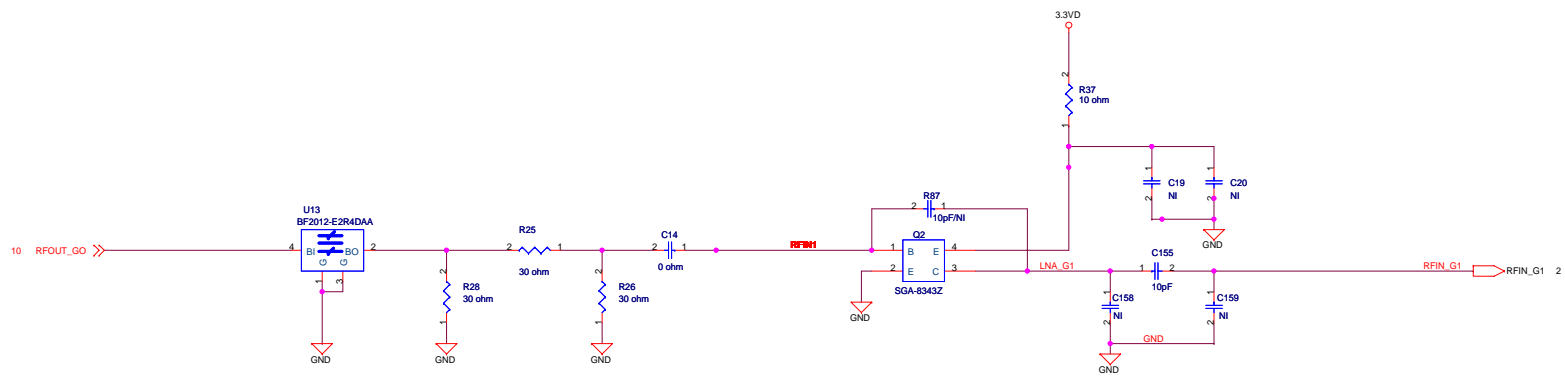
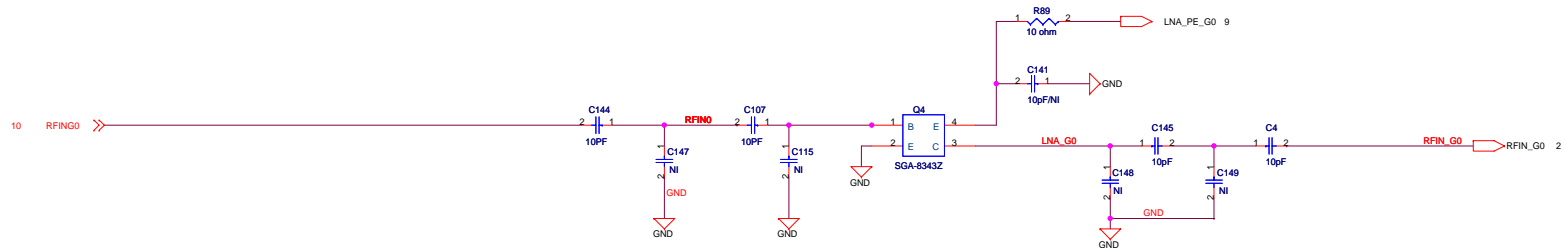
			RALINK TECHNOLOGY, CORP. CONFIDENTIAL	
			Title RT3052-D Power	
Size B	Document Number AP-RT3052-V21RW-2x2.SCH			Rev 2.1
Date:	Thursday, July 31, 2008			Sheet 5 of 14

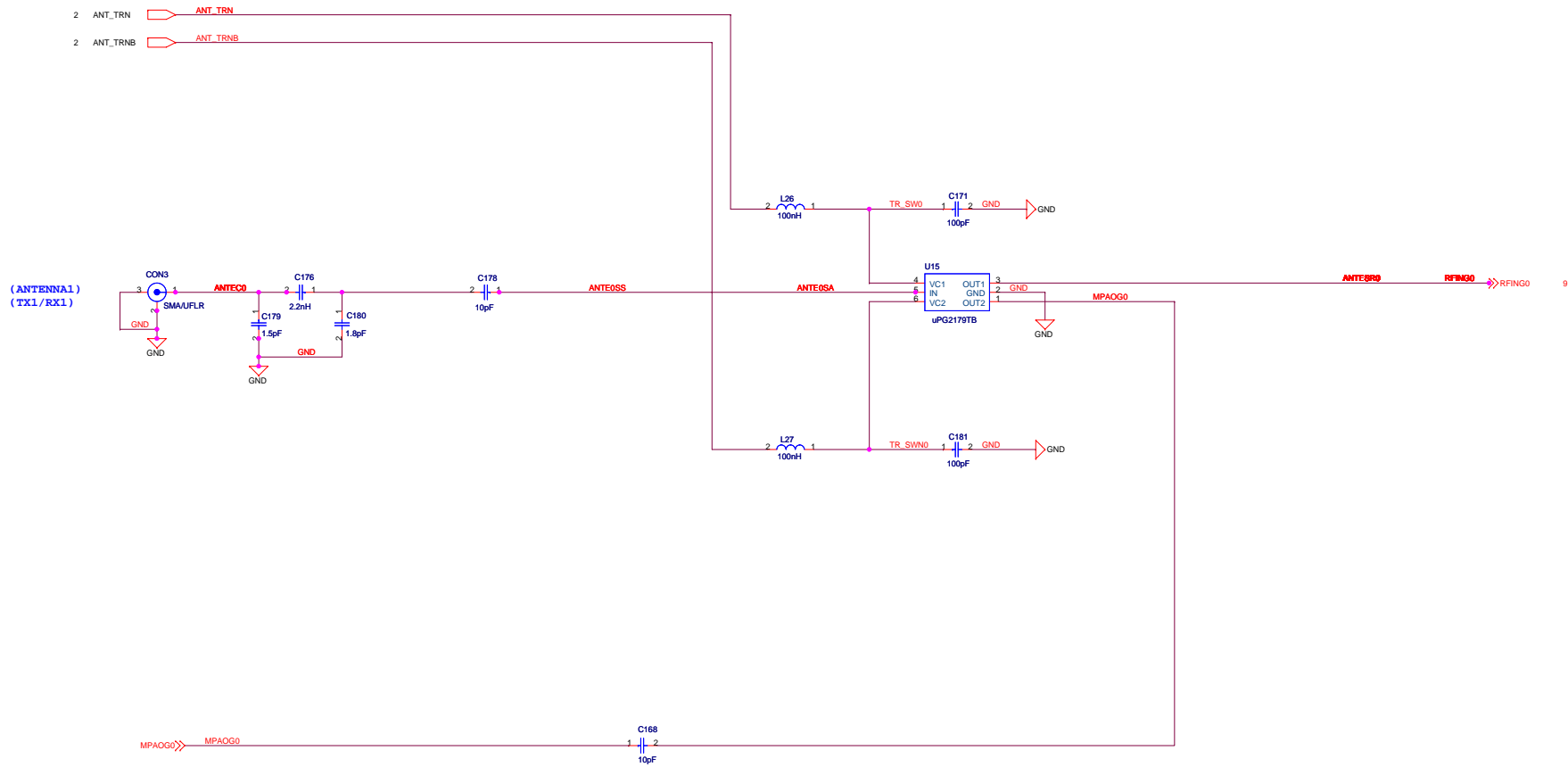


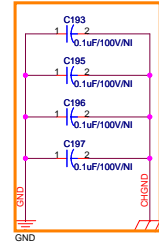
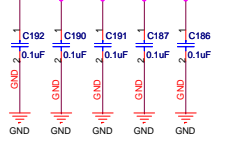
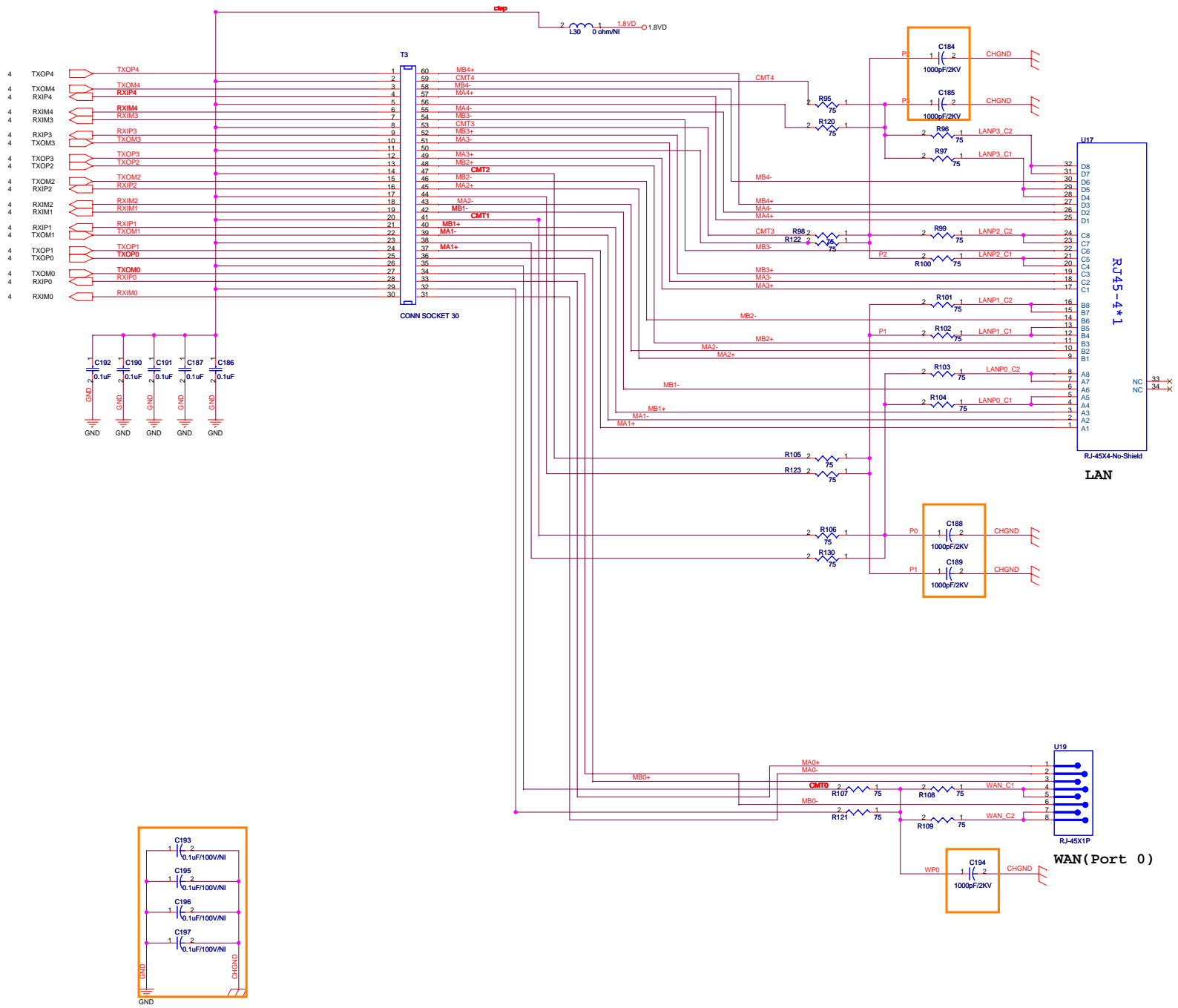


Boot Up Strapping

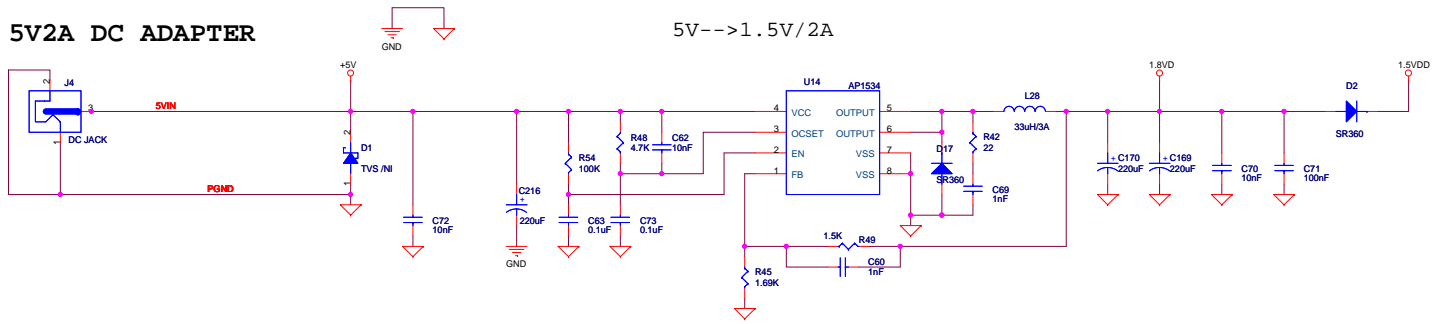
Pin Name	Description	Value=0	Value=1
MA[9:8]	BOOT FROM	00 : 16bit flash 01 : 8bit flash 10 : NAND Flash 11: Internal ROM	
MA10	CPU CLK SEL	320Mhz	384Mhz*
MA12	BIG ENDIAN	Little*	Big
MA13	Bypass PLL	Not Bypass*	Bypass
MA14	Boot Addr	0x1FC00000*	0x1F000000
MA15	Reserved		
MA[17:16]	GE MODE	Gagabit Port Mode 00 : RGMII (10/100/1000 bps)* 01 : MII(10/100M bps) 10 : Reversed MII(10/100M bps) 11 : Reversed	
MA20	iNIC SDRAM	2MB*	8MB
MA21	iNIC Config	NA	EEPROM /MA20



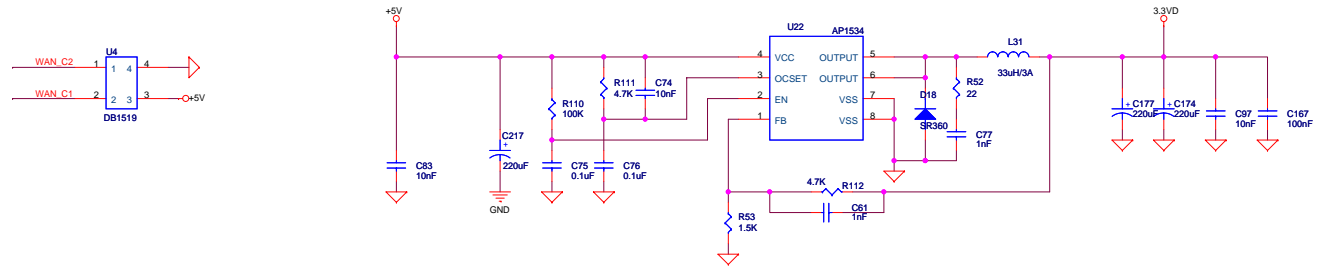




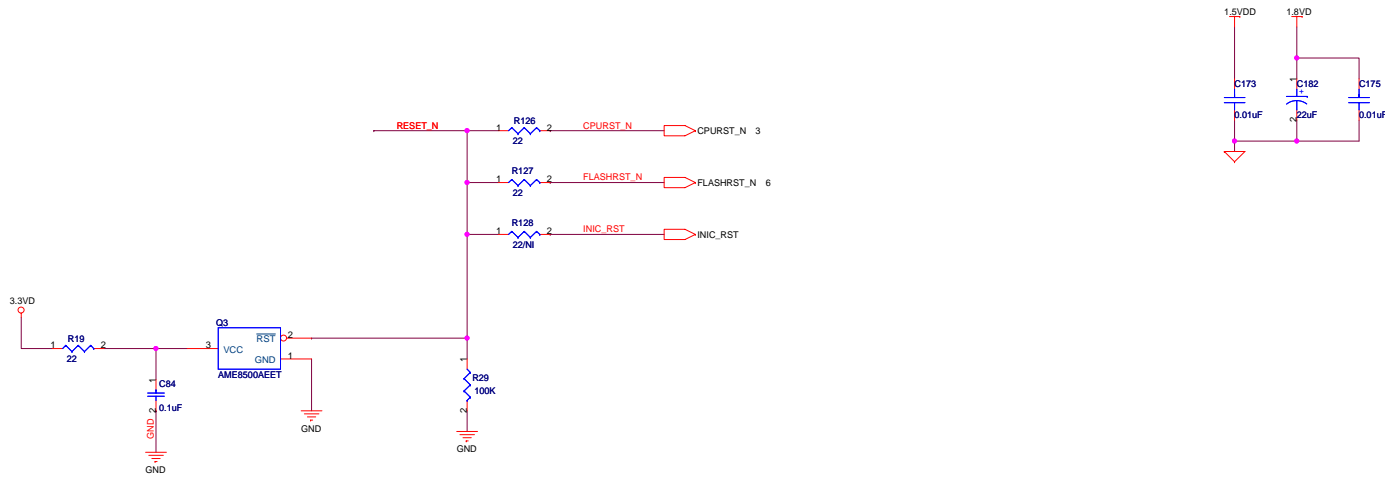
5V2A DC ADAPTER



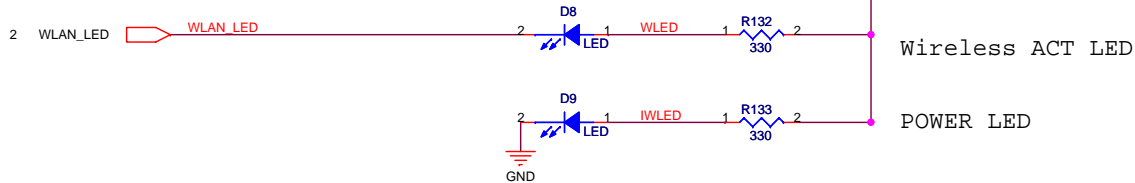
5V-->3.3V/2A



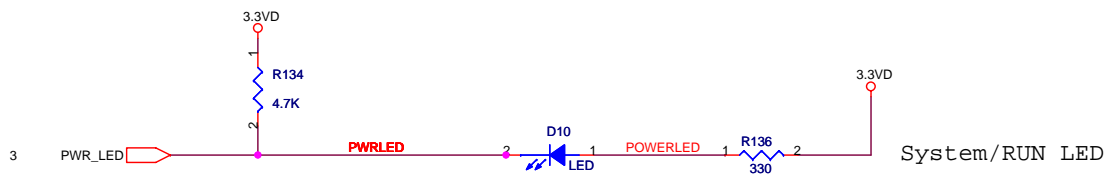
Reset Circuit



GPIO13

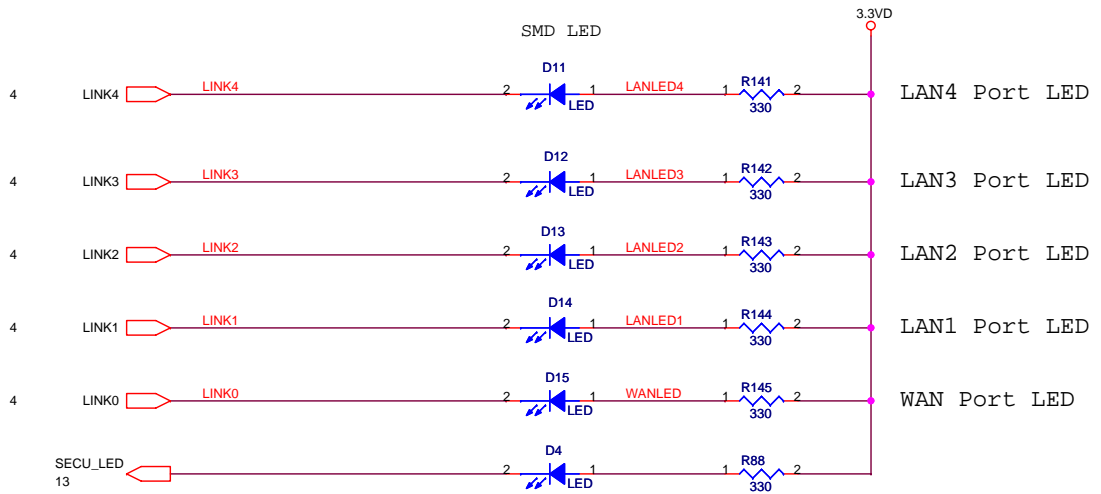
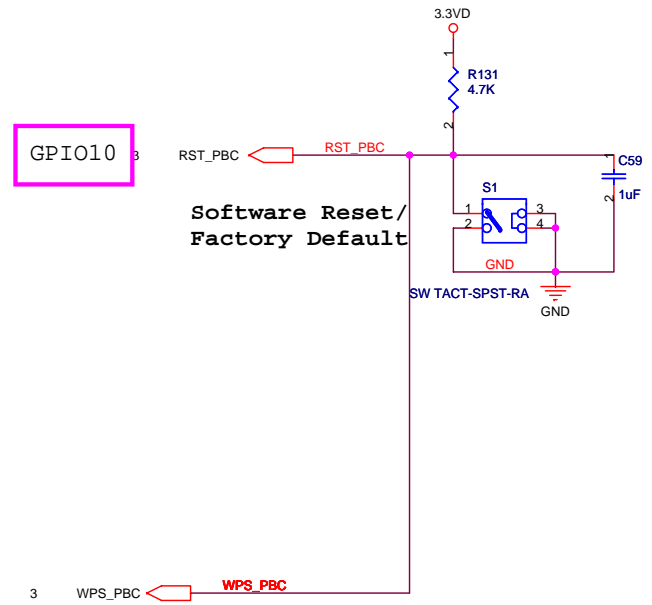



GPIO9



GPIO0

GPIO10



			RALINK TECHNOLOGY, CORP. CONFIDENTIAL		
			Title: LED		
Size: B	Document Number: AP-RT3062-V21RW-2x2.SCH				Rev: 2.1
Date: Wednesday, January 05, 2011	Sheet: 13 of 14				