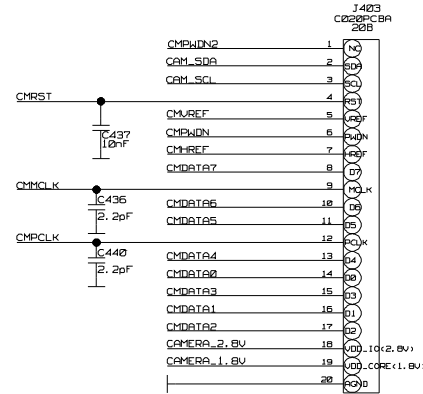
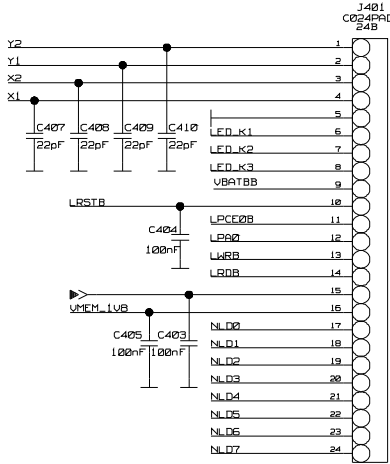


4000056910R4300001

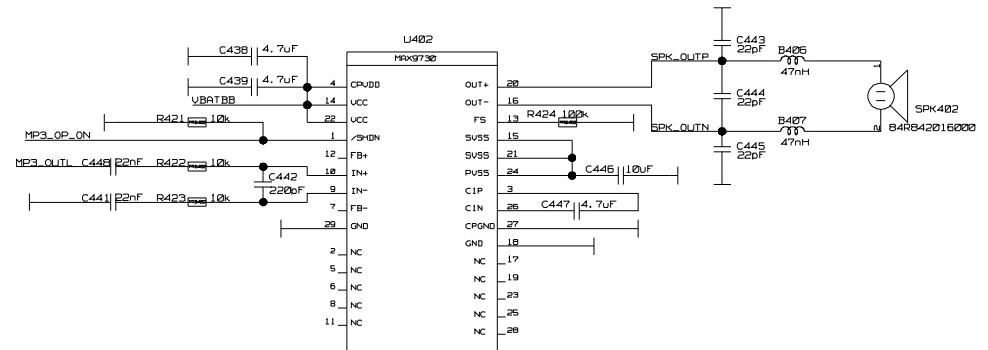
NSRD DOCUMENT . ALL RIGHTS RESERVED. REPRODUCTION AND DISCLOSURE PROHIBITED

1.77" TFT

0.3M Camera



SPEAKER PA



MODIFY	NOV/NAME	DATE	VER/NO	NOV/NAME	DATE
1	LU Xin Fang	29/08/2011	1	NINGBO SAGEM BIRD R&D CO. LTD.	
2	LIU LCD		2		
3	SCHEMATA BOARD MX308 V01		3		
4			4		
5			5		
6			6		
7			7		
8			8		
9			9		
10			10		
11			11		
12			12		
13			13		
14			14		
15			15		
16			16		
17			17		
18			18		
19			19		
20			20		
21			21		
22			22		
23			23		
24			24		
25			25		
26			26		
27			27		
28			28		
29			29		
30			30		

DRAWING
 PM1_BOARD_MX705_MODULE_V02
 mm1_board_mx705_module_v02
 LAST_MODIFIED=Thu Aug 4 09:52:33 2011

4000056910R4300001

NSRD DOCUMENT - ALL RIGHTS RESERVED. REPRODUCTION AND DISCLOSURE PROHIBITED

*** Unit Cross-Reference ***
--- For the entire design ---

ANT501	BLINDIP	504
ANT502	BLINDIP	504
ANT503	BLINDIP	504
ANT701	BLINDIP	701
3001	SELFCHS	2C2
3002	SELFCHS	2C2
3003	SELFCHS	2C2
3004	SELFCHS	2C2
3405	SELFCHS	4C1
3407	SELFCHS	4C1
3601	SELFCHS	6C1
3602	SELFCHS	6C1
3603	SELFCHS	6C1
3604	SELFCHS	6C1
3605	SELFCHS	6C1
3701	SELFCHS	7C2
BL01	BLINDIP	101
C101	PC0402	104
C102	PC0402	104
C103	PC0402	104
C104	PC0603KSR	1C4
C105	PC0402	1C4
C106	PC0402	1C4
C107	PC0402	1C4
C108	PC0402	104
C109	PC0402	1C4
C110	PC0402	1C4
C111	PC0402	1C3
C112	PC0603KSR	1C3
C113	PC0402	103
C114	PC0402	103
C115	PC0402	103
C116	PC0603KSR	103
C119	PC0402	102
C126	PC0603KSR	103
C127	PC0402	101
C128	PC0402	101
C129	PC0402	102
C130	PC0402	102
C131	PC0402	102
C132	PC0603KSR	101
C133	PC0603KSR	102
C134	PC0603KSR	101
C135	PC0603KSR	101
C136	PC0402	101
C137	PC0603KSR	101
C138	PC0603KSR	102
C141	PC0603KSR	102
C146	PC0402	1C3
C150	PC0402	1C3
C181	PC0402	1C2
C184	PC0603KSR	103
C185	PC0402	103
C187	PC0603KSR	104
C188	PC0402	104
C211	PC0402	2C2
C213	PC0402	2C2
C215	PC0402	2C2
C216	PC0402	2C2
C217	PC0402	2C2
C219	PC0402	2C2
C255	PC0402	204
C305	PC0402	3C2
C307	PC0402	302
C308	PC0402	302
C318	PC0402	302
C319	PC0402	302
C320	PC0402	302
C321	PC0402	302
C322	PC0402	302
C323	PC0402	302
C404	PC0402	4B4
C405	PC0402	4B4
C407	PC0402	4B4
C408	PC0402	4B4
C409	PC0402	4B4
C410	PC0402	4B4
C436	PC0402	402
C437	PC0402	402
C438	PC0603KSR	4C2
C440	PC0402	402
C441	PC0402	402
C442	PC0402	402
C443	PC0402	4C1
C444	PC0402	4C1
C445	PC0402	401
C446	PC0603KSR	402
C447	PC0603KSR	402
C448	PC0402	402
C501	PC0402	504
C510	PC0402	503
C515	PC0603KSR	502
C519	PC0402	5C2
C520	PC0402	5C1
C525	PC0402	504
C526	PC0402	504
C527	PC0402	504
C528	PC0402	504
C529	PC0402	5C3
C530	PC0402	503
C531	PC0402	503
C532	PC0402	503
C533	PC0402	503
C534	PC0402	503
C535	PC0402	503
C536	PC0402	503
C537	PC0402	503
C538	PC0402	503
C539	PC0402	503
C540	PC0402	503
C541	PC0402	503
C542	PC0402	503
C543	PC0402	503
C544	PC0402	503
C545	PC0402	503
C546	PC0402	503
C547	PC0402	503
C548	PC0402	503
C549	PC0402	503
C550	PC0402	503
C551	PC0402	503
C552	PC0402	503
C553	PC0402	503
C554	PC0402	503
C555	PC0402	503
C556	PC0402	503
C557	PC0402	503
C558	PC0402	503
C559	PC0402	503
C560	PC0402	503
C561	PC0402	503
C562	PC0402	503
C563	PC0402	503
C564	PC0402	503
C565	PC0402	503
C566	PC0402	503
C567	PC0402	503
C568	PC0402	503
C569	PC0402	503
C570	PC0402	503
C571	PC0402	503
C572	PC0402	503
C573	PC0402	503
C574	PC0402	503
C575	PC0402	503
C576	PC0402	503
C577	PC0402	503
C578	PC0402	503
C579	PC0402	503
C580	PC0402	503
C581	PC0402	503
C582	PC0402	503
C583	PC0402	503
C584	PC0402	503
C585	PC0402	503
C586	PC0402	503
C587	PC0402	503
C588	PC0402	503
C589	PC0402	503
C590	PC0402	503
C591	PC0402	503
C592	PC0402	503
C593	PC0402	503
C594	PC0402	503
C595	PC0402	503
C596	PC0402	503
C597	PC0402	503
C598	PC0402	503
C599	PC0402	503
C600	PC0402	503
C601	PC0402	503
C602	PC0402	503
C603	PC0402	503

6004	PC0402	604
6005	PC0402	604
6006	PC0603KSR	604
6007	PC0603KSR	604
6008	PC0603KSR	604
6009	PC0402	603
6010	PC0402	603
6011	PC0402	603
6012	PC0402	603
6013	PC0603KSR	602
6014	PC0402	602
6015	PC0402	602
6016	PC0402	602
6017	PC0402	601
6018	PC0402	601
6019	PC0402	601
6021	PC0402	6C4
6030	PC0402	604
6040	PC0402	6C4
6041	PC0402	6C4
6049	PC0402	6C1
6051	PC0402	6C2
6701	PC0402	703
6702	PC0402	703
6703	PC0402	703
6704	PC0402	703
6705	PC0402	7C3
6706	PC0402	7C3
6707	PC0402	703
6708	PC0402	702
6709	PC0402	702
6710	PC0402	702
6711	PC0402	702
6725	PC0402	702
6726	PC0402	702
6731	PC0402	702
6732	PC0402	702
6733	PC0402	702
6734	PC0402	702
6735	PC0402	702
6736	PC0402	702
6737	PC0402	702
6738	PC0402	702
6739	PC0402	702
6740	PC0402	702
6741	PC0402	702
6742	PC0402	702
6743	PC0402	702
6744	PC0402	702
6745	PC0402	702
6746	PC0402	702
6747	PC0402	702
6748	PC0402	702
6749	PC0402	702
6750	PC0402	702
6751	PC0402	702
6752	PC0402	702
6753	PC0402	702
6754	PC0402	702
6755	PC0402	702
6756	PC0402	702
6757	PC0402	702
6758	PC0402	702
6759	PC0402	702
6760	PC0402	702
6761	PC0402	702
6762	PC0402	702
6763	PC0402	702
6764	PC0402	702
6765	PC0402	702
6766	PC0402	702
6767	PC0402	702
6768	PC0402	702
6769	PC0402	702
6770	PC0402	702
6771	PC0402	702
6772	PC0402	702
6773	PC0402	702
6774	PC0402	702
6775	PC0402	702
6776	PC0402	702
6777	PC0402	702
6778	PC0402	702
6779	PC0402	702
6780	PC0402	702
6781	PC0402	702
6782	PC0402	702
6783	PC0402	702
6784	PC0402	702
6785	PC0402	702
6786	PC0402	702
6787	PC0402	702
6788	PC0402	702
6789	PC0402	702
6790	PC0402	702
6791	PC0402	702
6792	PC0402	702
6793	PC0402	702
6794	PC0402	702
6795	PC0402	702
6796	PC0402	702
6797	PC0402	702
6798	PC0402	702
6799	PC0402	702
6800	PC0402	702
6801	PC0402	702
6802	PC0402	702
6803	PC0402	702
6804	PC0402	702
6805	PC0402	702
6806	PC0402	702
6807	PC0402	702
6808	PC0402	702
6809	PC0402	702
6810	PC0402	702
6811	PC0402	702
6812	PC0402	702
6813	PC0402	702
6814	PC0402	702
6815	PC0402	702
6816	PC0402	702
6817	PC0402	702
6818	PC0402	702
6819	PC0402	702
6820	PC0603KSR	6C4
6821	PC0402	6C2
6822	PC0402	6C4
6823	PC0402	6C2
6824	PC0402	6C4
6825	PC0402	6C2
6826	PC0402	6C4
6827	PC0402	6C2
6828	PC0402	6C4
6829	PC0402	6C2
6830	PC0402	6C4
6831	PC0402	6C2
6832	PC0402	6C4
6833	PC0402	6C2
6834	PC0402	6C4
6835	PC0402	6C2
6836	PC0402	6C4
6837	PC0402	6C2
6838	PC0402	6C4
6839	PC0402	6C2
6840	PC0402	6C4
6841	PC0402	6C2
6842	PC0402	6C4
6843	PC0402	6C2
6844	PC0402	6C4
6845	PC0402	6C2
6846	PC0402	6C4
6847	PC0402	6C2
6848	PC0402	6C4
6849	PC0402	6C2
6850	PC0402	6C4
6851	PC0402	6C2
6852	PC0402	6C4
6853	PC0402	6C2
6854	PC0402	6C4
6855	PC0402	6C2
6856	PC0402	6C4
6857	PC0402	6C2
6858	PC0402	6C4
6859	PC0402	6C2
6860	PC0402	6C4
6861	PC0402	6C2
6862	PC0402	6C4
6863	PC0402	6C2
6864	PC0402	6C4
6865	PC0402	6C2
6866	PC0402	6C4
6867	PC0402	6C2
6868	PC0402	6C4
6869	PC0402	6C2
6870	PC0402	6C4
6871	PC0402	6C2
6872	PC0402	6C4
6873	PC0402	6C2
6874	PC0402	6C4
6875	PC0402	6C2
6876	PC0402	6C4
6877	PC0402	6C2
6878	PC0402	6C4
6879	PC0402	6C2
6880	PC0402	6C4
6881	PC0402	6C2
6882	PC0402	6C4
6883	PC0402	6C2
6884	PC0402	6C4
6885	PC0402	6C2
6886	PC0402	6C4
6887	PC0402	6C2
6888	PC0402	6C4
6889	PC0402	6C2
6890	PC0402	6C4
6891	PC0402	6C2
6892	PC0402	6C4
6893	PC0402	6C2
6894	PC0402	6C4
6895	PC0402	6C2
6896	PC0402	6C4
6897	PC0402	6C2
6898	PC0402	6C4
6899	PC0402	6C2
6900	PC0402	6C4
6901	PC0402	6C2
6902	PC0402	6C4
6903	PC0402	6C2
6904	PC0402	6C4
6905	PC0402	6C2
6906	PC0402	6C4
6907	PC0402	