

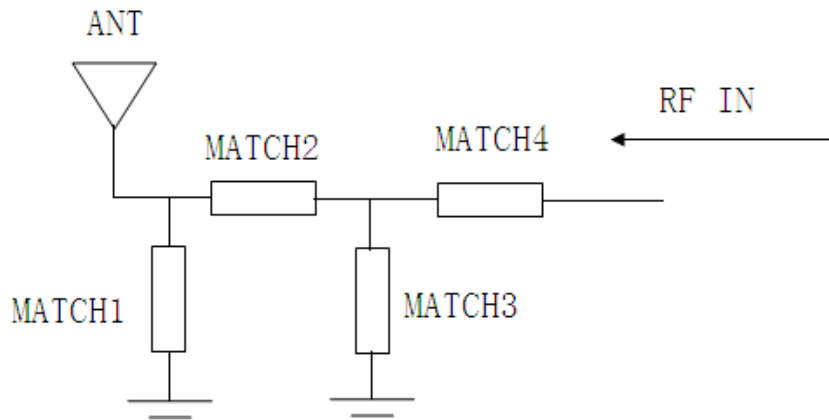


Shenzhen 3Good Wireless Communication Co., Ltd

Antenna performance test report

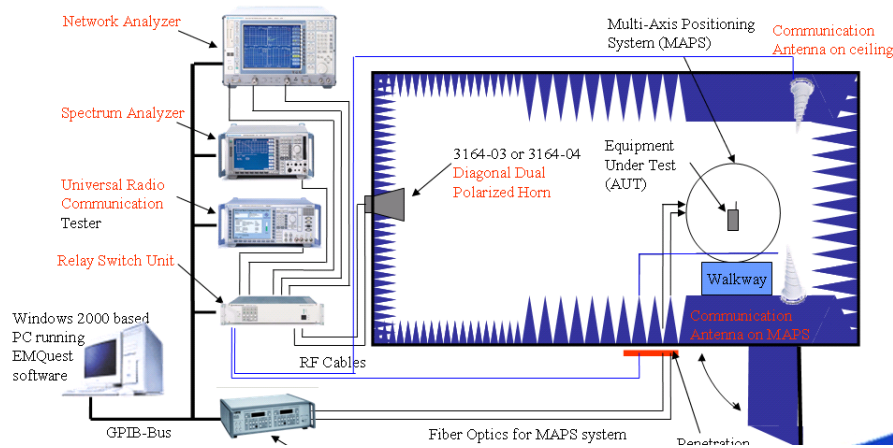
client's name	yuanshi
project name	ES5022
Test frequency band	2400-2483.5MHz
RF engineer	FU Xiong
test date	2022. 9. 28

1、 Antenna matching circuit:



Tag number	MATCH1	MATCH2	MATCH3	MATCH4
value		0 Ω		0 Ω

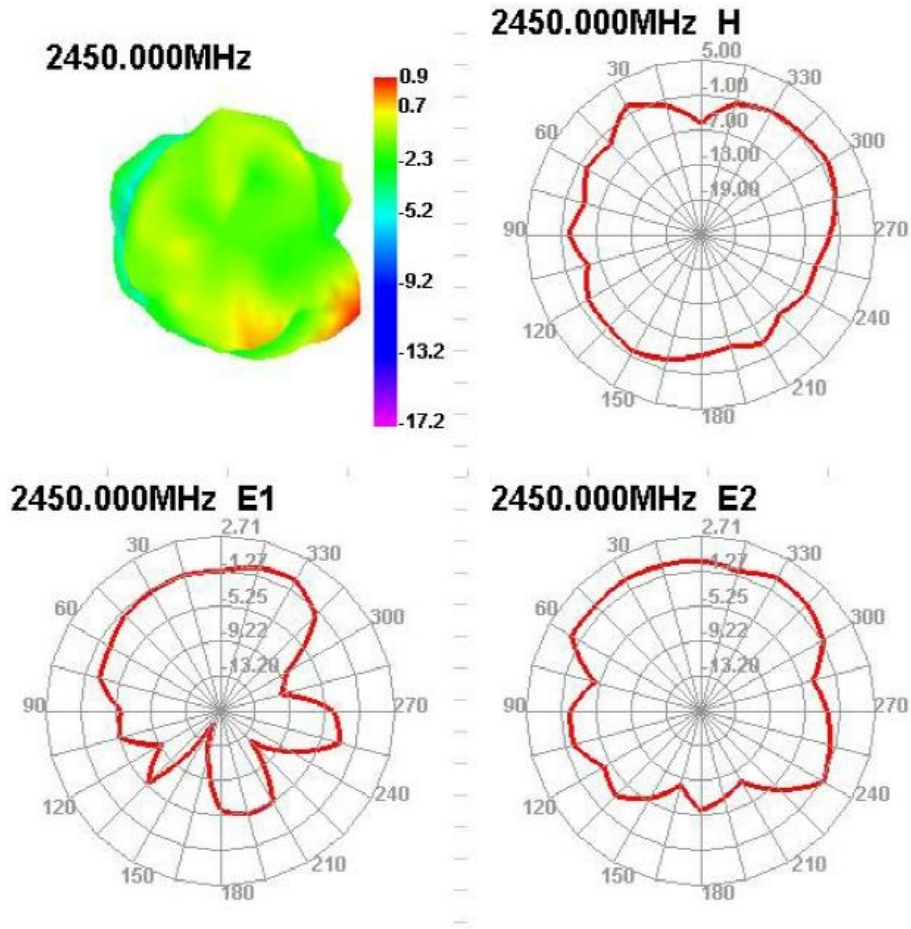
2、 Antenna Test Equipment:



Confidential Information
Shenzhen 3Good Wireless Communication Co., Ltd

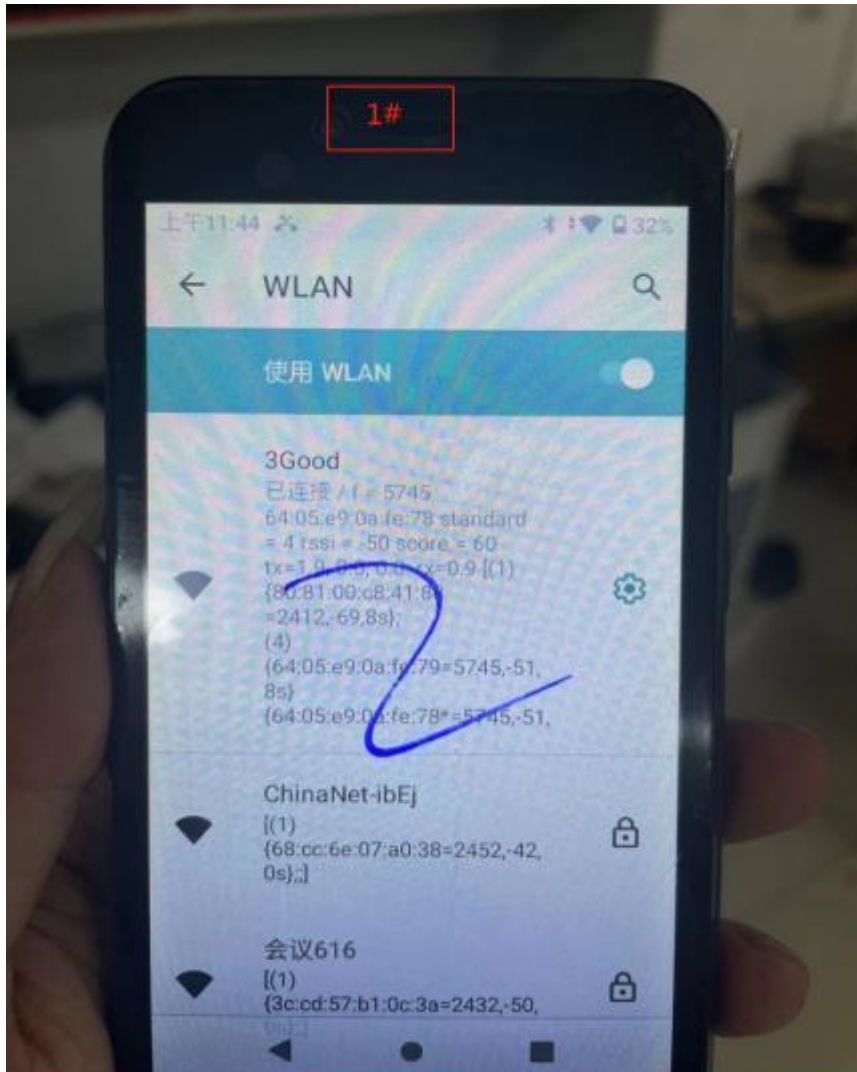
VSWR

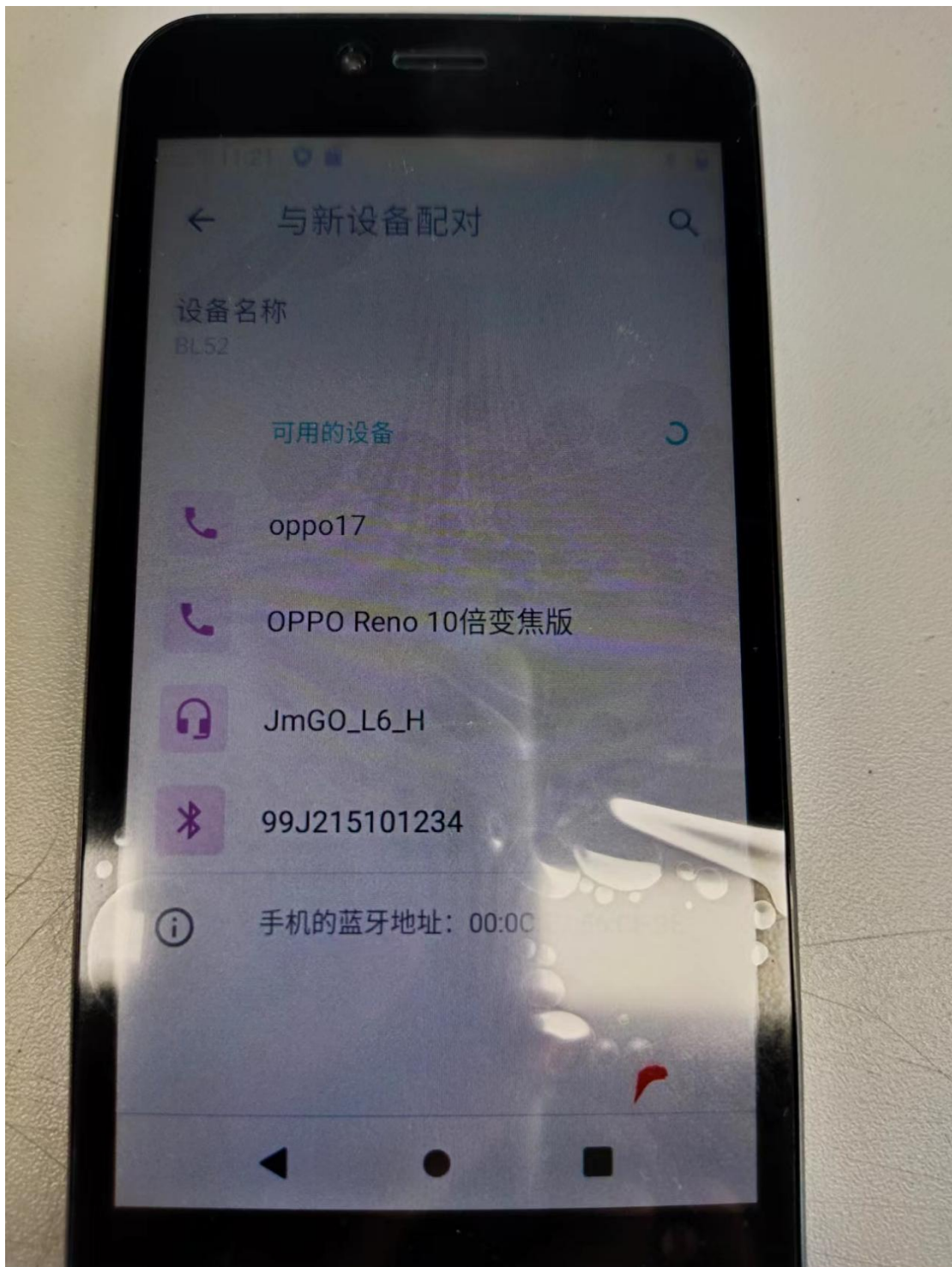




The performance test report is as follows:

frequency band	BT	WIFI	GPS			
gain	0.9	0.9	0.9			





Confidential Information
Shenzhen 3Good Wireless Communication Co., Ltd

