

FCC CFR47 PART 22H, 24E, 27 CERTIFICATION TEST REPORT

FCC ID: ZSW-30-114

Product: Mobile Phone

Trade Mark: Bmobile

Model Number: BL53

Family Model: BL50, BL51

Report No.: S23070305501005

Prepared for

b mobile HK Limited

Flat 18; 14/F Block 1; Golden Industrial Building;16-26 Kwai Tak
Street; Kwai Chung;New Territories; Hong Kong,China

Prepared by

Shenzhen NTEK Testing Technology Co., Ltd.

1/F, Building E, Fenda Science Park, Sanwei Community, Xixiang Street
Bao'an District, Shenzhen 518126 P.R. China

Tel. 400-800-6106, 0755-2320 0050, 0755-2320 0090

Website:<http://www.ntek.org.cn>

TEST RESULT CERTIFICATION

Applicant's name	b mobile HK Limited
Address	Flat 18; 14/F Block 1; Golden Industrial Building;16-26 Kwai Tak Street; Kwai Chung;New Territories; Hong Kong,China
Manufacturer's Name	b mobile HK Limited
Address	Flat 18; 14/F Block 1; Golden Industrial Building;16-26 Kwai Tak Street; Kwai Chung;New Territories; Hong Kong,China
Product name	Mobile Phone
Model and/or type reference ..	BL53
Family Model:	BL50, BL51
Standards	FCC CFR 47 Part 22H, Part 24E, Part 27
Test procedure	ANSI C63.26:2015 ANSI/TIA-603-E-2016

This device described above has been tested by NTEK, and the test results show that the equipment under test (EUT) is in compliance with the FCC requirements. And it is applicable only to the tested sample identified in the report.

This report shall not be reproduced except in full, without the written approval of NTEK, this document may be altered or revised by NTEK, personal only, and shall be noted in the revision of the document.

Date of Test	
Date (s) of performance of tests.....	Jun 17,2021 ~Jul 09,2021 Jul 12,2023 ~Jul 25,2023
Date of Issue	Jul 25, 2023
Test Result	Pass

Note: A Part of test data of this report are based on the original test report S21061700702005, dated by Jul 09, 2021

Testing Engineer : Allen Liu
(Allen Liu)

Authorized Signatory : Alex Li
(Alex Li)

TABLE OF CONTENTS

1. GENERAL INFORMATION	7
1.1 PRODUCT DESCRIPTION	7
1.2 RELATED SUBMITTAL(S) / GRANT (S)	8
1.3 TEST METHODOLOGY	9
1.4 TEST FACILITY	9
MEASUREMENT UNCERTAINTY	9
1.5 SPECIAL ACCESSORIES.....	9
1.6 WORST-CASE CONFIGURATION AND MODE.....	9
1.6 SUMMARY OF TEST RESULTS	10
2. SYSTEM TEST CONFIGURATION	12
2.1 EUT CONFIGURATION.....	12
2.2 EUT EXERCISE	12
2.3 CONFIGURATION OF EUT SYSTEM.....	12
2.4 TEST SETUP	13
3.TEST AND MEASUREMENT EQUIPMENT	14
4. OUTPUT POWER	16
4.1 OUTPUT POWER MEASUREMENT	16
6. BANDEDGE AND EMISSION MASK	19
7. OUT OF BAND EMISSIONS	20
7.1 MEASUREMENT METHOD	21
8. RADIATED MEASUREMENT	22
8.1. RADIATED POWER (ERP & EIRP).....	22
8.2 LTE BAND 2.....	23
8.3 LTE BAND 4.....	27
8.4 LTE BAND 5.....	31

8.5 LTE BAND 7	33
8.6 LTE BAND 38	35
9. SPURIOUS RADIATION EMISSION	37
9.1 LTE BAND 2	39
9.2 LTE BAND 4	41
9.3 LTE BAND 5	43
9.4 LTE BAND 7	45
9.5 LTE BAND 38	47
10. FREQUENCY STABILITY	49
10.1 LTE BAND 2	50
10.2 LTE BAND 4	52
10.3 LTE BAND 5	54
10.4 LTE BAND 7	56
10.5 LTE BAND 2	58
10.6 LTE BAND 4	60
10.7 LTE BAND 5	62
10.8 LTE BAND 7	64
10.9 LTE BAND 38	66
11. PEAK-TO-AVERAGE RATIO	68
11.1 Description of the PAR Measurement	68
11.2 Measuring Instruments	68
11.3 Test Procedures	68
11.4 Test Setup	68

Revision History

Report No.	Version	Description	Issued Date
S21061700702005	Rev.01	Initial issue of report	Jul 09, 2021
S23070305501005	Rev.02	Updated Model Name, memory, battery, HW Version, SW Version Added Output Power & FREQUENCY STABILITY test data and LTE B38 test datas	Jul 25, 2023

1. GENERAL INFORMATION

1.1 PRODUCT DESCRIPTION

A major technical description of EUT is described as following:

Product Designation:	Mobile Phone
Trade Mark	Bmobile
Model Name	BL53
Family Model	BL50, BL51
Model Difference	All the model are the same circuit and RF module,except the Model names.
FCC ID:	ZSW-30-114
Frequency Bands:	U.S. Bands: <input checked="" type="checkbox"/> LTE FDD Band 2, 4, 5, 7 E-UTRA TDD 38
Frequency Range:	LTE FDD Band 2 Uplink: 1850MHz-1910MHz, Downlink: 1930MHz-1990MHz; LTE FDD Band 4 Uplink: 1710MHz-1755MHz, Downlink: 2110MHz-2155MHz; LTE FDD Band 5 Uplink: 824MHz-849MHz, Downlink: 869MHz-894MHz; LTE-FDD Band 7 Uplink: 2500MHz-2570MHz, Downlink: 2620MHz-2690MHz; LTE TDD Band 38 Uplink&Downlink: 2570MHz-2620MHz,
Type of Modulation:	QPSK/16QAM
Power Class	Class 3
Antenna:	PIFA Antenna
Antenna gain:	Band 2: 0.8dBi, Band 4: 0.8dBi, Band 5: 0.8dBi, Band 7: 0.8dBi, Band 38: 0.8dBi,
Power Supply:	DC 3.8V, 3000mAh from battery or DC 5V from Adapter.
Adapter:	Input: AC 100-240V~50-60Hz 0.2A Output: DC 5.0V 1A
Extreme Vol. Limits:	DC 3.4V to DC 4.2V (Nominal DC 3.7V) (Note 1)
HW Version	Bmobile_BL53_HW_V1.0
SW Version	Bmobile_BL53_TIGO_LATAM_V001
** Note1: The High Voltage 4.2V and Low Voltage 3.4V was declared by manufacturer, The EUT couldn't be operate normally with higher or lower voltage.	

1.2 RELATED SUBMITTAL(S) / GRANT (S)

This submittal(s) (test report) is intended for **FCC ID: ZSW-30-114** filing to comply with the FCC Part 22H&24E &27.

1.3 TEST METHODOLOGY

The tests documented in this report were performed in accordance with ANSI/TIA-603-E-2016, FCC CFR 47 Part 2, Part 22, Part 24, Part 27, ANSI C63.26:2015.

1.4 TEST FACILITY

The test site used to collect the radiated data is located at:

ShenZhen NTEK Testing Technology Co., Ltd.

1/F, Building E, Fenda Science Park, Sanwei Community, Xixiang Street, Bao'an District, Shenzhen 518126 P.R.China.

The test site is constructed and calibrated to meet the FCC requirements in documents ANSI C63.26:2015& ANSI C63.4: 2014.

FCC Registration No.:463705

IC Registration No.:9270A-1,

CNAS Registration No.:L5516

MEASUREMENT UNCERTAINTY

The reported uncertainty of measurement, where expanded uncertainty U is based on a standard uncertainty multiplied by a coverage factor of k=2, providing a level of confidence of approximately 95 %.

No.	Item	Uncertainty
1	Measuring Uncertainty for a Level of Confidence of 95% ($U = 2Uc(y)$)	2.5dB
2	Conducted Emission Test	± 1.38 dB
3	RF power, conducted	± 0.16 dB
4	Spurious emissions, conducted	± 0.21 dB
5	All emissions, radiated(<1G)	± 4.68 dB
6	All emissions, radiated(>1G)	± 4.89 dB
7	Temperature	± 0.5 °C
8	Humidity	± 2 %
9	Frequency error, conducted	± 0.19 ppm

1.5 SPECIAL ACCESSORIES

The battery and the charger, earphone supplied by the applicant were used as accessories and being tested with EUT intended for FCC grant together.

1.6 WORST-CASE CONFIGURATION AND MODE

The worst-case scenario for all measurements is based on the investigation results.

The device has LTE Bands of: Band 2, Band 4, Band 5, Band 7, Band 38

The RB Size was selected to measure for peak or average ERP and EIRP, which was based on the conducted power verification baseline data.

For the fundamental investigation of radiated emissions, the EUT is investigated for vertical and horizontal antenna orientations and X Y and Z orientations of the EUT alone. After the investigations the worst case was determined to be at X orientation for all LTE bands.

1.6 SUMMARY OF TEST RESULTS

FCC Part22, Subpart H/ FCC Part24, Subpart E, FCC Part27, Subpart L, KDB 971168 D01 Power Meas License Digital Systems v03			
FCC Rule	Test Item	Verdict	Remark
2.1046	Conducted Output Power	PASS	
22.913(d) 24.232(d) 27.50(d)(5) KDB 971168 D01 Clause 5.7	Peak-to-Average Ratio	PASS	
2.1049 22.917(b) 24.238(b) KDB 971168 D01 Clause 4.2	Occupied Bandwidth	PASS	
2.1051 22.917(a) 24.238(a) 27.53(c), (g), (h) KDB 971168 D01 Clause 6	Band Edge	PASS	
22.913(a)(2) 27.50(b)(10), (c)(10) KDB 971168 D01 Clause 5.6	Effective Radiated Power	PASS	
24.232(c) 27.50(h)(2), (d)(4) KDB 971168 D01 Clause 5.6	Equivalent Isotropic Radiated Power	PASS	
2.1053 22.917(a) 24.238(a) 27.53(c)(g)(h)(m) KDB 971168 D01 Clause 7	Field Strength of Spurious Radiation	PASS	

2.1055 22.355 24.235 27.54 KDB 971168 D01 Clause 9	Frequency Stability for Temperature & Voltage	PASS	
2.1051 22.917(a) 24.238(a) 27.53(c)(g)(h)(m) KDB 971168 D01 Clause 6	Conducted Emission	PASS	
Remark: 1. "N/A" denotes test is not applicable in this Test Report. 2. All test items were verified and recorded according to the standards and without any deviation during the test. 3. No modifications are made to the EUT during all test items.			

2. SYSTEM TEST CONFIGURATION

2.1 EUT CONFIGURATION

The EUT configuration for testing is installed on RF field strength measurement to meet the Commission's requirement and operating in a manner which intends to maximize its emission characteristics in a continuous normal application.

2.2 EUT EXERCISE

The Transmitter was operated in the maximum output power mode through Communication Tester. The TX frequency was fixed which was for the purpose of the measurements.

2.3 CONFIGURATION OF EUT SYSTEM

Table 2-1 Equipment Used in EUT System

Item	Equipment	Model No.	ID or Specification	Note
1	Mobile Phone	BL53	FCC ID: ZSW-30-114	EUT

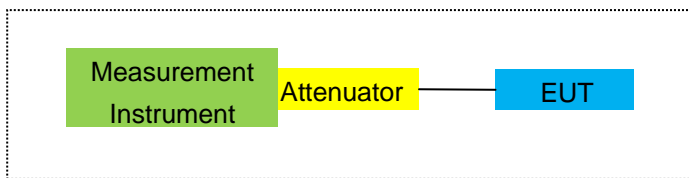
*Note: All the accessories have been used during the test.
the following "EUT" in setup diagram means EUT system.*

2.4 TEST SETUP

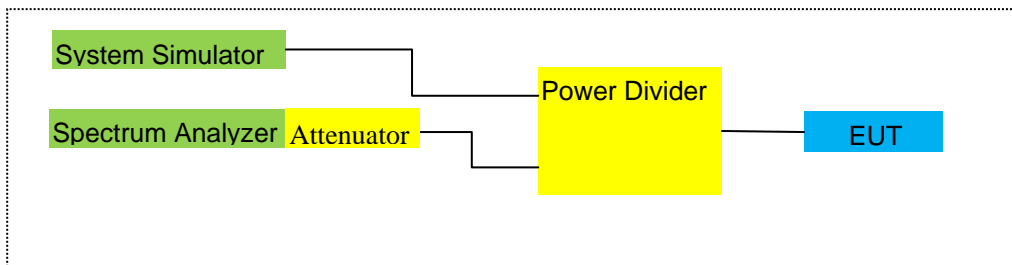
For Radiated Test Cases



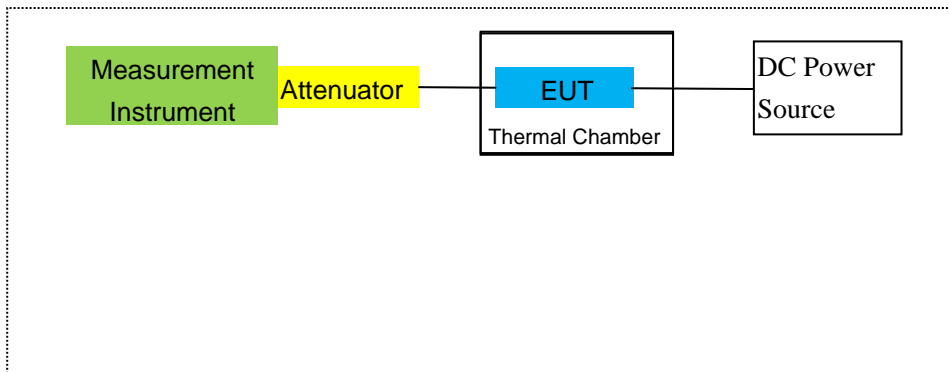
For Conducted Output Power



For Peak-to Average Ratio, Occupied Bandwidth, Conducted Band edge and Conducted Spurious Emission



For Frequency Stability



Note: EUT built-in battery-powered, the battery is fully-charged.

3. TEST AND MEASUREMENT EQUIPMENT

The following test and measurement equipment was utilized for the tests documented in this report:

Item	Kind of Equipment	Manufacturer	Type No.	Serial No.	Last calibration	Calibrated until	Calibration period
1	MXA Signal Analyzer	Agilent	N9020A	MY49100060	2020.07.13 2023.05.29	2021.07.12 2024.05.28	1 year
2	Test Receiver	R&S	ESPI	101318	2021.04.27 2023.03.27	2022.04.26 2024.03.26	1 year
3	Bilog Antenna	TESEQ	CBL6111D	31216	2021.03.29 2023.03.27	2022.03.28 2024.03.26	1 year
4	50Ω Coaxial Switch	Anritsu	MP59B	6200983705	2020.05.11 2023.05.06	2023.05.10 2026.05.05	3 year
5	Horn Antenna	EM	EM-AH-1018 0	2011071402	2021.03.29 2023.03.27	2022.03.28 2024.03.26	1 year
6	Horn Ant	Schwarzbeck	BBHA 9170	9170-181	2020.11.20 2022.11.18	2021.11.19 2023.11.17	1 year
7	Amplifier	EM	EM-30180	060538	2020.07.13 2023.05.29	2021.07.12 2024.05.28	1 year
8	Loop Antenna	ARA	PLA-1030/B	1029	2021.04.27 2023.03.27	2022.04.26 2024.03.26	1 year
9	Power Meter	R&S	NRVS	100696	2020.07.13 2023.05.29	2021.07.12 2024.05.28	1 year
10	Power Sensor	R&S	URV5-Z4	0395.1619.0 5	2021.04.27 2023.03.27	2022.04.26 2024.03.26	1 year
11	Test Cable	N/A	R-01	N/A	2019.08.06 2022.06.17	2022.08.05 2025.06.16	3 year
12	Test Cable	N/A	R-02	N/A	2019.08.06 2022.06.17	2022.08.05 2025.06.16	3 year
13	Test Cable	N/A	R-03	N/A	2019.06.28 2022.06.17	2022.06.27 2025.06.16	3 year
14	Test Receiver	R&S	ESCI	101160	2021.04.27 2023.03.27	2022.04.26 2024.03.26	1 year
15	LISN	R&S	ENV216	101313	2021.04.27 2023.03.27	2022.04.26 2024.03.26	1 year
16	LISN	EMCO	3816/2	00042990	2021.04.27 2023.03.27	2022.04.26 2024.03.26	1 year
17	50Ω Coaxial Switch	Anritsu	MP59B	6200264417	2021.04.27 2023.03.27	2022.04.26 2024.03.26	1 year
18	Passive Voltage	R&S	ESH2-Z3	100196	2021.04.27	2022.04.26	1 year

	Probe				2023.03.27	2024.03.26	
19	Test Cable	N/A	C01	N/A	2020.05.11 2023.05.06	2023.05.10 2026.05.05	3 year
20	Test Cable	N/A	C02	N/A	2020.05.11 2023.05.06	2023.05.10 2026.05.05	3 year
21	Test Cable	N/A	C03	N/A	2020.05.11 2023.05.06	2023.05.10 2026.05.05	3 year
22	Attenuator	MCE	24-10-34	BN9258	2020.05.11 2023.03.27	2021.05.10 2024.03.26	1 year
23	Spectrum Analyzer	agilent	e4440a	us44300399	2021.04.27 2023.03.27	2022.04.26 2024.03.26	1 year
24	test receiver	R&S	ESCI	a0304218	2021.04.27 2023.03.27	2022.04.26 2024.03.26	1 year
25	Communication Tester	R&S	CMU200	A0304247	2020.07.13 2023.05.29	2021.07.12 2024.05.28	1 year
26	Thermal Chamber	Ten Billion	TTC-B3C	TBN-960502	2021.04.27 2023.03.27	2022.04.26 2024.03.26	1 year
27	DC Power Source	N/A	PS-6005D	2017040292 3	2020.05.11 2023.05.06	2023.05.10 2026.05.05	3 year
28	PSG Analog Signal Generator	Agilent	E8257D	MY51110112	2020.07.13 2023.05.29	2021.07.12 2024.05.28	1 year
29	Communication Tester	R&S	CMW500	148500	2020.05.1 2023.05.291	2021.05.10 2024.05.28	1 year
30	PSG Analog Signal Generator	Agilent	E8257D	MY51110112	2020.07.13 2023.05.29	2021.07.12 2024.05.28	1 year

Note: Each piece of equipment is scheduled for calibration once a year except the Test Cable& DC Power Source which is scheduled for calibration every 3 years.

4. OUTPUT POWER

4.1 OUTPUT POWER MEASUREMENT

LTE Measurement Procedure:

All LTE bands conducted power peak and average are obtained from the CMW500 telecommunication test set. The following tests were conducted according to the test requirements outlined in section 6.2 of the 3GPP TS36.101 specification.

UE Power Class: 3 (23 +/- 2dBm). The allowed Maximum Power Reduction (MPR) for the maximum output power due to higher order modulation and transmit bandwidth configuration (resource blocks) is specified in Table 6.2.3-1 of the 3GPP TS36.101.

Table 6.2.3-1: Maximum Power Reduction (MPR) for Power Class 3

Modulation	Channel bandwidth / Transmission bandwidth (RB)						MPR (dB)
	1.4 MHz	3.0 MHz	5 MHz	10 MHz	15 MHz	20 MHz	
QPSK	> 5	> 4	> 8	> 12	> 16	> 18	≤ 1
16 QAM	≤ 5	≤ 4	≤ 8	≤ 12	≤ 16	≤ 18	≤ 1
16 QAM	> 5	> 4	> 8	> 12	> 16	> 18	≤ 2

The allowed A-MPR values specified below in Table 6.2.4.-1 of 3GPP TS36.101 are in addition to the allowed MPR requirements. All the measurements below were performed with A-MPR disabled, by using Network Signaling Value of "NS_01".3

Table 6.2.4-1: Additional Maximum Power Reduction (A-MPR)

Network Signalling value	Requirements (sub-clause)	E-UTRA Band	Channel bandwidth (MHz)	Resources Blocks (N_{RB})	A-MPR (dB)
NS_01	6.6.2.1.1	Table 5.5-1	1.4, 3, 5, 10, 15, 20	Table 5.6-1	NA
NS_03	6.6.2.2.1	2, 4, 10, 23, 25, 35, 36	3	>5	≤ 1
			5	>6	≤ 1
			10	>6	≤ 1
			15	>8	≤ 1
			20	>10	≤ 1
NS_04	6.6.2.2.2	41	5	>6	≤ 1
			10, 15, 20	See Table 6.2.4-4	
NS_05	6.6.3.3.1	1	10, 15, 20	≥ 50	≤ 1
NS_06	6.6.2.2.3	12, 13, 14, 17	1.4, 3, 5, 10	Table 5.6-1	n/a
NS_07	6.6.2.2.3	13	10	Table 6.2.4-2	Table 6.2.4-2
	6.6.3.3.2				
NS_08	6.6.3.3.3	19	10, 15	> 44	≤ 3
NS_09	6.6.3.3.4	21	10, 15	> 40	≤ 1
				> 55	≤ 2
NS_10		20	15, 20	Table 6.2.4-3	Table 6.2.4-3
NS_11	6.6.2.2.1	23 ¹	1.4, 3, 5, 10	Table 6.2.4-5	Table 6.2.4-5
..					
NS_32	-	-	-	-	-

Note 1: Applies to the lower block of Band 23, i.e. a carrier placed in the 2000-2010 MHz region.

Test data reference attachment.

5. OCCUPIED BANDWIDTH

RULE PART(S)

FCC: §2.1049

LIMITS

For reporting purposes only

TEST PROCEDURE

The transmitter output was connected to a calibrated coaxial cable and coupler, the other end of which was connected to a spectrum analyzer. The occupied bandwidth was measured with the spectrum analyzer at the low, middle and high channel in each band. The -26dB bandwidth was also measured and recorded.

MODES TESTED

- LTE Band 2
- LTE Band 4
- LTE Band 5
- LTE Band 7
- LTE Band 38

RESULTS

PASS

Test data reference attachment.

6. BANDEDGE AND EMISSION MASK

RULE PART(S)

FCC: §2.1051, §22.917(a), §24.238(a), §27.53(c)(g)(h)(m)

FCC: §2.1046, §22.913, §24.232

LIMITS

The minimum permissible attenuation level of any spurious emission is $43 + \log_{10}(P[\text{Watts}])$, where P is the transmitter power in Watts.

The minimum permissible attenuation level for Band 7 is as following.

Per 27.53(g) for operations in the 698-746 MHz band, in the 100 kHz bands immediately outside and adjacent to the frequency block a resolution bandwidth of at least 30 kHz may be employed to demonstrate compliance with the out-of-band emissions limit.

Per 27.53(c.5) for operations in the 776-788 MHz band, in the 100 kHz bands immediately outside and adjacent to the frequency block a resolution bandwidth of at least 30 kHz may be employed to demonstrate compliance with the out-of-band emissions limit.

For all plots showing emissions in the 763 – 775MHz and 793 – 805MHz band, the FCC limit per 27.53(c.4) is $65 + 10\log_{10}(P) = -35\text{dBm}$ in a 6.25kHz bandwidth.

Per 27.53(m) for operations in the BRS/EBS bands, the attenuation factor shall be not less than $40 + 10 \log (P)$ dB on all frequencies between the channel edge and 5 megahertz from the channel edge, $43 + 10 \log (P)$ dB on all frequencies between 5 megahertz and X megahertz from the channel edge, and $55 + 10 \log (P)$ dB on all frequencies more than X megahertz from the channel edge, where X is the greater of 6 megahertz or the actual emission bandwidth.

TEST PROCEDURE

The transmitter output was connected to a CMW500Test Set and configured to operate at maximum power. The band edge emissions were measured at the required operating frequencies in each band on the Spectrum Analyzer.

For each band edge measurement:

Set the spectrum analyzer span to include the block edge frequency

Set a marker to point the corresponding band edge frequency in each test case.

Set display line

Set resolution bandwidth to at least 1% of emission bandwidth.

MODES TESTED

- LTE Band 2/4/5/7/38

RESULTS

Test data reference attachment.

7. OUT OF BAND EMISSIONS

RULE PART(S)

FCC: §2.1051, §22.917(a), §24.238(a), §27.53(c)(g)(h)(m)

LIMITS

The minimum permissible attenuation level of any spurious emission is $43 + \log_{10}(P[\text{Watts}])$, where P is the transmitter power in Watts.

The minimum permissible attenuation level for Band 7 is as following.

Per 27.53(g) for operations in the 698-746 MHz band, in the 100 kHz bands immediately outside and adjacent to the frequency block a resolution bandwidth of at least 30 kHz may be employed to demonstrate compliance with the out-of-band emissions limit.

Per 27.53(c.5) for operations in the 776-788 MHz band, in the 100 kHz bands immediately outside and adjacent to the frequency block a resolution bandwidth of at least 30 kHz may be employed to demonstrate compliance with the out-of-band emissions limit.

For all plots showing emissions in the 763 – 775MHz and 793 – 805MHz band, the FCC limit per 27.53(c.4) is $65 + 10\log_{10}(P) = -35\text{dBm}$ in a 6.25kHz bandwidth.

Per 27.53(m) for operations in the BRS/EBS bands, the attenuation factor shall be not less than $40 + 10 \log (P)$ dB on all frequencies between the channel edge and 5 megahertz from the channel edge, $43 + 10 \log (P)$ dB on all frequencies between 5 megahertz and X megahertz from the channel edge, and $55 + 10 \log (P)$ dB on all frequencies more than X megahertz from the channel edge, where X is the greater of 6 megahertz or the actual emission bandwidth.

TEST PROCEDURE

The RF output of the transmitter was connected to a spectrum analyzer through a calibrated coaxial cable. Sufficient scans were taken to show the out-of-band Emissions, if any, up to 10th harmonic. Multiple sweeps were recorded in maximum hold mode using a peak detector to ensure that the worst-case emissions were caught.

For each out of band emissions measurement:

- Set display line
- Set RBW & VBW to 100 kHz for the measurement below 1 GHz, and 1 MHz for the measurement above 1 GHz.

MODES TESTED

- LTE Band 2
- LTE Band 4
- LTE Band 5
- LTE Band 7
- LTE Band 38

7.1 MEASUREMENT METHOD

The test set up and general procedure is similar to conducted peak output power test. Only different for setting the measurement configuration of the measuring instrument of Spectrum Analyzer.

Test data reference attachment.

8. RADIATED MEASUREMENT

8.1. RADIATED POWER (ERP & EIRP)

RULE PART(S)

FCC: §2.1046, §22.913(a)(2), §24.232(c) and §27.50 (h)(2), (b)(10), (c)(10), (d)(4)

LIMITS:

22.913(a) (2)- The ERP of mobile transmitters and auxiliary test transmitters must not exceed 7 Watts.
24.232 (c) Mobile and portable stations are limited to 2 watts EIRP.
27.50 (c) (10) the following power and antenna height requirements apply to stations transmitting in the 698–746 MHz band, the portable stations (hand-held devices) are limited to 3 watts ERP.
27.50 (b)(10) Portable stations (hand-held devices) transmitting in the 746–757 MHz, 758–763 MHz, 776–793 MHz, and 805–806 MHz bands are limited to 3 watts ERP.
27.50 (d)(4) The following power and antenna height requirements apply to stations transmitting in the 1710–1755 MHz and 2110–2155 MHz bands: Fixed, mobile, and portable (hand-held) stations operating in the 1710–1755 MHz band are limited to 1 watt EIRP.
27.50 (h)(2) Mobile and other user stations in the 2500–2570 MHz and 2620–2690 MHz bands. Mobile stations are limited to 2.0 watts EIRP. All user stations are limited to 2.0 watts transmitter output power.

TEST PROCEDURE

ANSI/TIA-603-E Clause 2.2.17

KDB 971168 v02r01 RF power output using broadband peak and average power meter method.

KDB 971168 D01 Power Meas License Digital Systems v02r01, “Measurement Guidance for Certification of Licensed Digital Transmitters”

MODES TESTED

- LTE Band 2
- LTE Band 4
- LTE Band 5
- LTE Band 7
- LTE Band 38

RESULTS

Pass

8.2 LTE BAND 2

Radiated Power (EIRP) for Band 2									
Mode	RB/RB SIZE	Frequency	Result					Polarization Of Max. ERP	Conclusion
			SG Level (dBm)	Cable Loss (dBm)	Antenna Gain (dB)	Max. EIRP Average (dBm)	Max. EIRP		
							Average (mW)		
1.4MHz Band QPSK	1/#Mid	1850.7	-0.74	3.76	28.24	23.74	236.592	Horizontal	Pass
		1880	-0.51	3.91	28.22	23.80	239.883	Horizontal	Pass
		1909.3	-1.04	3.93	28.20	23.23	210.378	Horizontal	Pass
3.0MHz Band QPSK	1/#Mid	1851.5	-0.89	3.77	28.23	23.57	227.510	Horizontal	Pass
		1880	-0.74	3.91	28.24	23.59	228.560	Horizontal	Pass
		1908.5	-0.88	3.94	28.25	23.43	220.293	Horizontal	Pass
5.0MHz Band QPSK	1/#Mid	1852.5	-0.88	3.77	28.31	23.66	232.274	Horizontal	Pass
		1880	-0.65	3.91	28.22	23.66	232.274	Horizontal	Pass
		1907.5	-0.43	3.94	28.20	23.83	241.546	Horizontal	Pass
10.0MHz Band QPSK	1/#Mid	1855	-0.67	3.79	28.33	23.87	243.781	Horizontal	Pass
		1880	-1.08	3.95	28.22	23.19	208.449	Horizontal	Pass
		1905	-0.12	3.97	28.19	24.10	257.040	Horizontal	Pass
15.0MHz Band QPSK	1/#Mid	1857.5	-1.11	3.79	28.34	23.44	220.800	Horizontal	Pass
		1880	-0.68	3.95	28.22	23.59	228.560	Horizontal	Pass
		1902.5	-0.09	3.97	28.18	24.12	258.226	Horizontal	Pass
20.0MHz Band QPSK	1/#Mid	1860	-0.63	3.81	28.35	23.91	246.037	Horizontal	Pass
		1880	-0.71	3.96	28.22	23.55	226.464	Horizontal	Pass
		1900	-0.22	4.00	28.16	23.94	247.742	Horizontal	Pass
1.4MHz Band QPSK	1/#Mid	1850.7	-0.88	3.76	28.24	23.60	229.087	Vertical	Pass
		1880	-0.14	3.91	28.22	24.17	261.216	Vertical	Pass
		1909.3	-1.13	3.93	28.20	23.14	206.063	Vertical	Pass
3.0MHz Band QPSK	1/#Mid	1851.5	-0.81	3.77	28.23	23.65	231.739	Vertical	Pass
		1880	-1.06	3.91	28.24	23.27	212.324	Vertical	Pass
		1908.5	-0.17	3.94	28.25	24.14	259.418	Vertical	Pass
5.0MHz Band QPSK	1/#Mid	1852.5	-0.62	3.77	28.31	23.92	246.604	Vertical	Pass
		1880	-0.20	3.91	28.22	24.11	257.632	Vertical	Pass
		1907.5	-0.38	3.94	28.20	23.88	244.343	Vertical	Pass
10.0MHz Band QPSK	1/#Mid	1855	-0.74	3.79	28.33	23.80	239.883	Vertical	Pass
		1880	-1.10	3.95	28.22	23.17	207.491	Vertical	Pass

QPSK		1905	-1.19	3.97	28.19	23.03	200.909	Vertical	Pass
15.0MH z Band QPSK	1/#Mid	1857.5	-1.10	3.79	28.34	23.45	221.309	Vertical	Pass
		1880	-0.63	3.95	28.22	23.64	231.206	Vertical	Pass
		1902.5	-0.92	3.97	28.18	23.29	213.304	Vertical	Pass
20.0MH z Band QPSK	1/#Mid	1860	-1.17	3.81	28.35	23.37	217.270	Vertical	Pass
		1880	-0.98	3.96	28.22	23.28	212.814	Vertical	Pass
		1900	0.11	4.00	28.16	24.27	267.301	Vertical	Pass

Note:

SG Level= Signal generator output

Max. EIRP Average (dBm)= Antenna Gain(dB)+ SG Level (dBm)- Cable Loss(dBm)

Radiated Power (EIRP) for Band 2									
Mode	RB/RB SIZE	Frequency	Result					Polarization Of Max. ERP	Conclusion
			SG Level (dBm)	Cable Loss (dBm)	Antenna Gain (dB)	Max. EIRP Average (dBm)	Max. EIRP		
							Average (mW)		
1.4MHz Band 16 QAM	1/#Mid	1850.7	-2.55	3.76	28.24	21.93	155.955	Horizontal	Pass
		1880	-2.39	3.91	28.22	21.92	155.597	Horizontal	Pass
		1909.3	-1.86	3.93	28.20	22.41	174.181	Horizontal	Pass
3.0MHz Band 16 QAM	1/#Mid	1851.5	-2.36	3.77	28.23	22.10	162.181	Horizontal	Pass
		1880	-1.83	3.91	28.24	22.50	177.828	Horizontal	Pass
		1908.5	-2.43	3.94	28.25	21.88	154.170	Horizontal	Pass
5.0MHz Band 16 QAM	1/#Mid	1852.5	-2.74	3.77	28.31	21.80	151.356	Horizontal	Pass
		1880	-2.00	3.91	28.22	22.31	170.216	Horizontal	Pass
		1907.5	-2.34	3.94	28.20	21.92	155.597	Horizontal	Pass
10.0MHz Band 16 QAM	1/#Mid	1855	-2.01	3.79	28.33	22.53	179.061	Horizontal	Pass
		1880	-2.02	3.95	28.22	22.25	167.880	Horizontal	Pass
		1905	-2.12	3.97	28.19	22.10	162.181	Horizontal	Pass
15.0MHz Band 16 QAM	1/#Mid	1857.5	-2.06	3.79	28.34	22.49	177.419	Horizontal	Pass
		1880	-1.98	3.95	28.22	22.29	169.434	Horizontal	Pass
		1902.5	-2.36	3.97	28.18	21.85	153.109	Horizontal	Pass
20.0MHz Band 16 QAM	1/#Mid	1860	-2.11	3.81	28.35	22.43	174.985	Horizontal	Pass
		1880	-1.84	3.96	28.22	22.42	174.582	Horizontal	Pass
		1900	-1.98	4.00	28.16	22.18	165.196	Horizontal	Pass
1.4MHz Band 16 QAM	1/#Mid	1850.7	-2.52	3.76	28.24	21.96	157.036	Vertical	Pass
		1880	-2.38	3.91	28.22	21.93	155.955	Vertical	Pass
		1909.3	-2.40	3.93	28.20	21.87	153.815	Vertical	Pass
3.0MHz Band 16 QAM	1/#Mid	1851.5	-1.82	3.77	28.23	22.64	183.654	Vertical	Pass
		1880	-1.95	3.91	28.24	22.38	172.982	Vertical	Pass
		1908.5	-2.19	3.94	28.25	22.12	162.930	Vertical	Pass
5.0MHz Band 16 QAM	1/#Mid	1852.5	-2.34	3.77	28.31	22.20	165.959	Vertical	Pass
		1880	-1.84	3.91	28.22	22.47	176.604	Vertical	Pass
		1907.5	-1.69	3.94	28.20	22.57	180.717	Vertical	Pass
10.0MHz Band 16 QAM	1/#Mid	1855	-1.96	3.79	28.33	22.58	181.134	Vertical	Pass
		1880	-2.01	3.95	28.22	22.26	168.267	Vertical	Pass
		1905	-2.23	3.97	28.19	21.99	158.125	Vertical	Pass
15.0MHz Band 16 QAM	1/#Mid	1857.5	-2.55	3.79	28.34	22.00	158.489	Vertical	Pass
		1880	-2.64	3.95	28.22	21.63	145.546	Vertical	Pass
		1902.5	-2.56	3.97	28.18	21.65	146.218	Vertical	Pass

20.0MHz Band 16 QAM	1/#Mid	1860	-2.45	3.81	28.35	22.09	161.808	Vertical	Pass
		1880	-1.54	3.96	28.22	22.72	187.068	Vertical	Pass
		1900	-2.46	4.00	28.16	21.70	147.911	Vertical	Pass

Note:

SG Level= Signal generator output

Max. EIRP Average (dBm)= Antenna Gain(dB)+ SG Level (dBm)- Cable Loss(dBm)

8.3 LTE BAND 4

Radiated Power (EIRP) for Band 4										
Mode	RB/RB SIZE	Frequency	Result						Polarization Of Max. ERP	Conclusion
			SG Level (dBm)	Cable Loss (dBm)	Antenna Gain (dB)	Max. EIRP	Max. EIRP			
						Average (dBm)	Average (mW)			
1.4MHz Band QPSK	1/#Mid	1710.7	-4.11	3.12	27.58	20.35	108.393	Horizontal	Pass	
		1732.5	-4.30	3.27	27.61	20.04	100.925	Horizontal	Pass	
		1754.3	-4.53	3.29	27.63	19.81	95.719	Horizontal	Pass	
3.0MHz Band QPSK	1/#Mid	1711.5	-5.52	3.13	27.61	18.96	78.705	Horizontal	Pass	
		1732.5	-5.60	3.27	27.61	18.74	74.817	Horizontal	Pass	
		1753.5	-5.04	3.30	27.62	19.28	84.723	Horizontal	Pass	
5.0MHz Band QPSK	1/#Mid	1712.5	-5.07	3.13	27.63	19.43	87.700	Horizontal	Pass	
		1732.5	-5.87	3.27	27.61	18.47	70.307	Horizontal	Pass	
		1752.5	-4.38	3.30	27.60	19.92	98.175	Horizontal	Pass	
10.0MHz z Band QPSK	1/#Mid	1715	-4.79	3.15	27.64	19.70	93.325	Horizontal	Pass	
		1732.5	-3.80	3.31	27.61	20.50	112.202	Horizontal	Pass	
		1750	-3.86	3.33	27.59	20.40	109.648	Horizontal	Pass	
15.0MHz z Band QPSK	1/#Mid	1717.5	-4.63	3.15	27.65	19.87	97.051	Horizontal	Pass	
		1732.5	-4.37	3.31	27.61	19.93	98.401	Horizontal	Pass	
		1747.5	-4.60	3.33	27.57	19.64	92.045	Horizontal	Pass	
20.0MHz z Band QPSK	1/#Mid	1720	-4.97	3.17	27.66	19.52	89.536	Horizontal	Pass	
		1732.5	-3.94	3.32	27.61	20.35	108.393	Horizontal	Pass	
		1745	-4.79	3.36	27.56	19.41	87.297	Horizontal	Pass	
1.4MHz Band QPSK	1/#Mid	1710.7	-4.77	3.12	27.58	19.69	93.111	Vertical	Pass	
		1732.5	-5.21	3.27	27.61	19.13	81.846	Vertical	Pass	
		1754.3	-4.98	3.29	27.63	19.36	86.298	Vertical	Pass	
3.0MHz Band QPSK	1/#Mid	1711.5	-4.03	3.13	27.61	20.45	110.917	Vertical	Pass	
		1732.5	-3.97	3.27	27.61	20.37	108.893	Vertical	Pass	
		1753.5	-3.96	3.30	27.62	20.36	108.643	Vertical	Pass	
5.0MHz Band QPSK	1/#Mid	1712.5	-5.49	3.13	27.63	19.01	79.616	Vertical	Pass	
		1732.5	-5.08	3.27	27.61	19.26	84.333	Vertical	Pass	
		1752.5	-5.14	3.30	27.60	19.16	82.414	Vertical	Pass	
10.0MHz z Band	1/#Mid	1715	-5.46	3.15	27.64	19.03	79.983	Vertical	Pass	
		1732.5	-5.22	3.31	27.61	19.08	80.910	Vertical	Pass	

QPSK		1750	-4.05	3.33	27.59	20.21	104.954	Vertical	Pass
15.0MH	1/#Mid	1717.5	-5.03	3.15	27.65	19.47	88.512	Vertical	Pass
z Band		1732.5	-4.48	3.31	27.61	19.82	95.940	Vertical	Pass
QPSK		1747.5	-4.75	3.33	27.57	19.49	88.920	Vertical	Pass
20.0MH	1/#Mid	1720	-4.95	3.17	27.66	19.54	89.950	Vertical	Pass
z Band		1732.5	-3.32	3.32	27.61	20.97	125.026	Vertical	Pass
QPSK		1745	-4.53	3.36	27.56	19.67	92.683	Vertical	Pass

Note:

SG Level= Signal generator output

Max. EIRP Average (dBm)= Antenna Gain(dB)+ SG Level (dBm)- Cable Loss(dBm)

Radiated Power (EIRP) for Band 4									
Mode	RB/RB SIZE	Frequency	Result						Conclusion
			SG Level	Cable Loss (dBm)	Antenna Gain (dB)	Max. EIRP	Max. EIRP	Polarization Of Max. ERP	
			(dBm)			Average (dBm)	Average (mW)		
1.4MHz Band 16 QAM	1/#Mid	1710.7	-4.00	3.12	27.58	20.46	111.173		Horizontal
		1732.5	-4.22	3.27	27.61	20.12	102.802	Horizontal	Pass
		1754.3	-4.60	3.29	27.63	19.74	94.189	Horizontal	Pass
3.0MHz Band 16 QAM	1/#Mid	1711.5	-5.25	3.13	27.61	19.23	83.753	Horizontal	Pass
		1732.5	-6.05	3.27	27.61	18.29	67.453	Horizontal	Pass
		1753.5	-5.42	3.30	27.62	18.90	77.625	Horizontal	Pass
5.0MHz Band 16 QAM	1/#Mid	1712.5	-5.55	3.13	27.63	18.95	78.524	Horizontal	Pass
		1732.5	-5.56	3.27	27.61	18.78	75.509	Horizontal	Pass
		1752.5	-4.17	3.30	27.60	20.13	103.039	Horizontal	Pass
10.0MHz Band 16 QAM	1/#Mid	1715	-4.85	3.15	27.64	19.64	92.045	Horizontal	Pass
		1732.5	-4.73	3.31	27.61	19.57	90.573	Horizontal	Pass
		1750	-5.36	3.33	27.59	18.90	77.625	Horizontal	Pass
15.0MHz Band 16 QAM	1/#Mid	1717.5	-5.09	3.15	27.65	19.41	87.297	Horizontal	Pass
		1732.5	-3.74	3.31	27.61	20.56	113.763	Horizontal	Pass
		1747.5	-4.29	3.33	27.57	19.95	98.855	Horizontal	Pass
20.0MHz Band 16 QAM	1/#Mid	1720	-4.71	3.17	27.66	19.78	95.060	Horizontal	Pass
		1732.5	-3.96	3.32	27.61	20.33	107.895	Horizontal	Pass
		1745	-4.64	3.36	27.56	19.56	90.365	Horizontal	Pass
1.4MHz Band 16 QAM	1/#Mid	1710.7	-4.52	3.12	27.58	19.94	98.628	Vertical	Pass
		1732.5	-4.42	3.27	27.61	19.92	98.175	Vertical	Pass
		1754.3	-4.69	3.29	27.63	19.65	92.257	Vertical	Pass
3.0MHz Band 16 QAM	1/#Mid	1711.5	-5.02	3.13	27.61	19.46	88.308	Vertical	Pass
		1732.5	-5.80	3.27	27.61	18.54	71.450	Vertical	Pass
		1753.5	-5.12	3.30	27.62	19.20	83.176	Vertical	Pass
5.0MHz Band 16 QAM	1/#Mid	1712.5	-5.40	3.13	27.63	19.10	81.283	Vertical	Pass
		1732.5	-4.98	3.27	27.61	19.36	86.298	Vertical	Pass
		1752.5	-5.14	3.30	27.60	19.16	82.414	Vertical	Pass
10.0MHz Band 16 QAM	1/#Mid	1715	-3.94	3.15	27.64	20.55	113.501	Vertical	Pass
		1732.5	-4.73	3.31	27.61	19.57	90.573	Vertical	Pass
		1750	-4.53	3.33	27.59	19.73	93.972	Vertical	Pass
15.0MHz Band 16 QAM	1/#Mid	1717.5	-4.44	3.15	27.65	20.06	101.391	Vertical	Pass
		1732.5	-5.31	3.31	27.61	18.99	79.250	Vertical	Pass
		1747.5	-4.06	3.33	27.57	20.18	104.232	Vertical	Pass

20.0MHz		1720	-4.18	3.17	27.66	20.31	107.399	Vertical	Pass
Band 16	1/#Mid	1732.5	-3.64	3.32	27.61	20.65	116.145	Vertical	Pass
QAM		1745	-3.73	3.36	27.56	20.47	111.429	Vertical	Pass

Note:

SG Level= Signal generator output

Max. EIRP Average (dBm)= Antenna Gain(dB)+ SG Level (dBm)- Cable Loss(dBm)

8.4 LTE BAND 5

Radiated Power (ERP) for Band 5											
Mode	RB/RB SIZE	Frequency	Result							Polarization Of Max. ERP	Conclusion
			SG Level	Cable Loss	Antenna Gain	Correction	Max. ERP	Max. ERP			
			(dBm)	(dBm)	(dB)	(dB)	Average	Average			
				(dBm)	(mW)						
1.4MHz Band QPSK	1/#Mid	824.7	1.78	2.01	19.68	2.15	17.30	53.703	Horizontal	Pass	
		836.5	1.56	2.01	19.77	2.15	17.17	52.119	Horizontal	Pass	
		848.3	1.06	2.02	19.82	2.15	16.71	46.881	Horizontal	Pass	
3.0MHz Band QPSK	1/#Mid	825.5	1.86	2.01	19.70	2.15	17.40	54.954	Horizontal	Pass	
		836.5	1.13	2.01	19.77	2.15	16.74	47.206	Horizontal	Pass	
		847.5	2.02	2.02	19.81	2.15	17.66	58.345	Horizontal	Pass	
5.0MHz Band QPSK	1/#Mid	826.5	2.22	2.01	19.71	2.15	17.77	59.841	Horizontal	Pass	
		836.5	1.85	2.01	19.77	2.15	17.46	55.719	Horizontal	Pass	
		846.5	2.13	2.02	19.79	2.15	17.75	59.566	Horizontal	Pass	
10.0MHz Band QPSK	1/#Mid	829	1.35	2.01	19.73	2.15	16.92	49.204	Horizontal	Pass	
		836.5	1.89	2.01	19.77	2.15	17.50	56.234	Horizontal	Pass	
		844	0.94	2.02	19.78	2.15	16.55	45.186	Horizontal	Pass	
1.4MHz Band QPSK	1/#Mid	824.7	2.27	2.01	19.68	2.15	17.79	60.117	Vertical	Pass	
		836.5	1.69	2.01	19.77	2.15	17.30	53.703	Vertical	Pass	
		848.3	1.27	2.02	19.82	2.15	16.92	49.204	Vertical	Pass	
3.0MHz Band QPSK	1/#Mid	825.5	0.81	2.01	19.70	2.15	16.35	43.152	Vertical	Pass	
		836.5	1.90	2.01	19.77	2.15	17.51	56.364	Vertical	Pass	
		847.5	1.69	2.02	19.81	2.15	17.33	54.075	Vertical	Pass	
5.0MHz Band QPSK	1/#Mid	826.5	1.60	2.01	19.71	2.15	17.15	51.880	Vertical	Pass	
		836.5	0.36	2.01	19.77	2.15	15.97	39.537	Vertical	Pass	
		846.5	2.19	2.02	19.79	2.15	17.81	60.395	Vertical	Pass	
10.0MHz Band QPSK	1/#Mid	829	2.39	2.01	19.73	2.15	17.96	62.517	Vertical	Pass	
		836.5	1.25	2.01	19.77	2.15	16.86	48.529	Vertical	Pass	
		844	1.53	2.02	19.78	2.15	17.14	51.761	Vertical	Pass	

Radiated Power (ERP) for Band 5											
Mode	RB/RB SIZE	Frequency	Result							Polarization Of Max. ERP	Conclusion
			SG Level (dBm)	Cable Loss (dBm)	Antenna Gain (dB)	Correction (dB)	Max. ERP Average (dBm)	Max. ERP Average (mW)			
1.4MHz Band 16 QAM	1/#Mid	824.7	2.09	2.01	19.68	2.15	17.61	57.677	Horizontal	Pass	
		836.5	2.16	2.01	19.77	2.15	17.77	59.841	Horizontal	Pass	
		848.3	1.10	2.02	19.82	2.15	16.75	47.315	Horizontal	Pass	
3.0MHz Band 16 QAM	1/#Mid	825.5	1.82	2.01	19.70	2.15	17.36	54.450	Horizontal	Pass	
		836.5	1.74	2.01	19.77	2.15	17.35	54.325	Horizontal	Pass	
		847.5	1.34	2.02	19.81	2.15	16.98	49.888	Horizontal	Pass	
5.0MHz Band 16 QAM	1/#Mid	826.5	2.16	2.01	19.71	2.15	17.71	59.020	Horizontal	Pass	
		836.5	1.39	2.01	19.77	2.15	17.00	50.119	Horizontal	Pass	
		846.5	1.92	2.02	19.79	2.15	17.54	56.754	Horizontal	Pass	
10.0MHz Band 16 QAM	1/#Mid	829	1.89	2.01	19.73	2.15	17.46	55.719	Horizontal	Pass	
		836.5	1.46	2.01	19.77	2.15	17.07	50.933	Horizontal	Pass	
		844	1.30	2.02	19.78	2.15	16.91	49.091	Horizontal	Pass	
1.4MHz Band 16 QAM	1/#Mid	824.7	1.95	2.01	19.68	2.15	17.47	55.847	Vertical	Pass	
		836.5	1.18	2.01	19.77	2.15	16.79	47.753	Vertical	Pass	
		848.3	1.11	2.02	19.82	2.15	16.76	47.424	Vertical	Pass	
3.0MHz Band 16 QAM	1/#Mid	825.5	1.65	2.01	19.70	2.15	17.19	52.360	Vertical	Pass	
		836.5	2.06	2.01	19.77	2.15	17.67	58.479	Vertical	Pass	
		847.5	0.76	2.02	19.81	2.15	16.40	43.652	Vertical	Pass	
5.0MHz Band 16 QAM	1/#Mid	826.5	1.32	2.01	19.71	2.15	16.87	48.641	Vertical	Pass	
		836.5	1.54	2.01	19.77	2.15	17.15	51.880	Vertical	Pass	
		846.5	1.80	2.02	19.79	2.15	17.42	55.208	Vertical	Pass	
10.0MHz Band 16 QAM	1/#Mid	829	1.90	2.01	19.73	2.15	17.47	55.847	Vertical	Pass	
		836.5	2.19	2.01	19.77	2.15	17.80	60.256	Vertical	Pass	
		844	1.14	2.02	19.78	2.15	16.75	47.315	Vertical	Pass	

Note:

ERP=EIRP-2.15

SG Level= Signal generator output

Max. EIRP Average (dBm)= Antenna Gain(dB)+ SG Level (dBm)- Cable Loss(dBm)

8.5 LTE BAND 7

Radiated Power (EIRP) for Band 7									
Mode	RB/RB SIZE	Frequency	Result						Conclusion
			SG Level (dBm)	Cable Loss (dBm)	Antenna Gain (dB)	Max. EIRP	Max. EIRP	Polarization Of Max. ERP	
						Average (dBm)	Average (mW)		
5.0MHz Band QPSK	1/#Mid	2502.5	-3.13	4.54	27.75	20.08	101.859	Horizontal	Pass
		2535	-3.28	4.69	27.72	19.75	94.406	Horizontal	Pass
		2567.5	-3.02	4.71	27.71	19.98	99.541	Horizontal	Pass
10.0MHz Band QPSK	1/#Mid	2505	-3.23	4.55	27.76	19.98	99.541	Horizontal	Pass
		2535	-3.74	4.69	27.72	19.29	84.918	Horizontal	Pass
		2565	-3.56	4.72	27.70	19.42	87.498	Horizontal	Pass
15.0MHz Band QPSK	1/#Mid	2507.5	-3.21	4.55	27.77	20.01	100.231	Horizontal	Pass
		2535	-3.10	4.69	27.72	19.93	98.401	Horizontal	Pass
		2562.5	-3.89	4.72	27.69	19.08	80.910	Horizontal	Pass
20.0MHz Band QPSK	1/#Mid	2510	-3.28	4.57	27.78	19.93	98.401	Horizontal	Pass
		2535	-3.47	4.73	27.72	19.52	89.536	Horizontal	Pass
		2560	-3.04	4.75	27.68	19.89	97.499	Horizontal	Pass
5.0MHz Band QPSK	1/#Mid	2502.5	-4.01	4.54	27.75	19.20	83.176	Vertical	Pass
		2535	-3.57	4.69	27.72	19.46	88.308	Vertical	Pass
		2567.5	-4.03	4.71	27.71	18.97	78.886	Vertical	Pass
10.0MHz Band QPSK	1/#Mid	2505	-3.44	4.55	27.76	19.77	94.842	Vertical	Pass
		2535	-3.06	4.69	27.72	19.97	99.312	Vertical	Pass
		2565	-4.21	4.72	27.70	18.77	75.336	Vertical	Pass
15.0MHz Band QPSK	1/#Mid	2507.5	-3.11	4.55	27.77	20.11	102.565	Vertical	Pass
		2535	-3.91	4.69	27.72	19.12	81.658	Vertical	Pass
		2562.5	-2.94	4.72	27.69	20.03	100.693	Vertical	Pass
20.0MHz Band QPSK	1/#Mid	2510	-3.31	4.57	27.78	19.90	97.724	Vertical	Pass
		2535	-2.56	4.73	27.72	20.43	110.408	Vertical	Pass
		2560	-2.94	4.75	27.68	19.99	99.770	Vertical	Pass

Radiated Power (EIRP) for Band 7									
Mode	RB/RB SIZE	Frequency	Result						Conclusion
			SG Level	Cable Loss (dBm)	Antenna Gain (dB)	Max. EIRP	Max. EIRP	Polarization Of Max. ERP	
			(dBm)			Average (dBm)	Average (mW)		
5.0MHz Band 16 QAM	1/#Mid	2502.5	-4.46	4.54	27.75	18.75	74.989		Horizontal
		2535	-3.56	4.69	27.72	19.47	88.512	Horizontal	Pass
		2567.5	-3.21	4.71	27.71	19.79	95.280	Horizontal	Pass
10.0MHz Band 16 QAM	1/#Mid	2505	-3.71	4.55	27.76	19.50	89.125	Horizontal	Pass
		2535	-3.47	4.69	27.72	19.56	90.365	Horizontal	Pass
		2565	-3.79	4.72	27.70	19.19	82.985	Horizontal	Pass
15.0MHz Band 16 QAM	1/#Mid	2507.5	-3.86	4.55	27.77	19.36	86.298	Horizontal	Pass
		2535	-3.73	4.69	27.72	19.30	85.114	Horizontal	Pass
		2562.5	-3.37	4.72	27.69	19.60	91.201	Horizontal	Pass
20.0MHz Band 16 QAM	1/#Mid	2510	-3.48	4.57	27.78	19.73	93.972	Horizontal	Pass
		2535	-3.28	4.73	27.72	19.71	93.541	Horizontal	Pass
		2560	-3.78	4.75	27.68	19.15	82.224	Horizontal	Pass
5.0MHz Band 16 QAM	1/#Mid	2502.5	-4.23	4.54	27.75	18.98	79.068	Vertical	Pass
		2535	-3.74	4.69	27.72	19.29	84.918	Vertical	Pass
		2567.5	-4.25	4.71	27.71	18.75	74.989	Vertical	Pass
10.0MHz Band 16 QAM	1/#Mid	2505	-4.27	4.55	27.76	18.94	78.343	Vertical	Pass
		2535	-4.05	4.69	27.72	18.98	79.068	Vertical	Pass
		2565	-3.05	4.72	27.70	19.93	98.401	Vertical	Pass
15.0MHz Band 16 QAM	1/#Mid	2507.5	-3.85	4.55	27.77	19.37	86.497	Vertical	Pass
		2535	-3.58	4.69	27.72	19.45	88.105	Vertical	Pass
		2562.5	-3.92	4.72	27.69	19.05	80.353	Vertical	Pass
20.0MHz Band 16 QAM	1/#Mid	2510	-3.35	4.57	27.78	19.86	96.828	Vertical	Pass
		2535	-3.04	4.73	27.72	19.95	98.855	Vertical	Pass
		2560	-3.71	4.75	27.68	19.22	83.560	Vertical	Pass

Note:

SG Level= Signal generator output

Max. EIRP Average (dBm)= Antenna Gain(dB)+ SG Level (dBm)- Cable Loss(dBm)

8.6 LTE BAND 38

Radiated Power (EIRP) for Band 38										
Mode	RB/RB SIZE	Frequency	Result						Polarization Of Max. ERP	Conclusion
			SG Level	Cable Loss	Antenna Gain	Max. EIRP	Max. EIRP			
			(dBm)	(dBm)	(dB)	Average	Average			
						(dBm)	(mW)			
5.0MHz Band QPSK	25/0	2572.5	-2.12	4.95	27.79	20.63	115.611	Vertical	Pass	
		2595	-2.64	4.88	27.71	20.64	115.878	Vertical	Pass	
		2617.5	-2.58	4.93	27.95	21.23	132.739	Vertical	Pass	
5.0MHz Band 16 QAM	25/0	2572.5	-2.37	4.81	27.73	21.07	127.938	Vertical	Pass	
		2595	-2.47	4.95	27.81	20.81	120.504	Vertical	Pass	
		2617.5	-2.59	5.03	27.69	20.78	119.674	Vertical	Pass	
10.0MHz Band QPSK	50/0	2575	-2.98	5.01	27.86	21.05	127.350	Vertical	Pass	
		2595	-2.6	5	27.65	21.16	130.617	Vertical	Pass	
		2615	-2.67	4.87	27.89	20.63	115.611	Vertical	Pass	
10.0MHz Band 16 QAM	50/0	2575	-2.71	4.77	27.78	21.08	128.233	Vertical	Pass	
		2595	-2.38	4.87	27.87	21.11	129.122	Vertical	Pass	
		2615	-2.56	4.94	27.77	21.08	128.233	Vertical	Pass	
15.0MHz Band QPSK	75/0	2577.5	-2.9	4.89	27.88	21.12	129.420	Vertical	Pass	
		2595	-2.32	4.87	27.84	21.27	133.968	Vertical	Pass	
		2612.5	-2.52	4.92	27.93	20.74	118.577	Vertical	Pass	
15.0MHz Band 16 QAM	75/0	2577.5	-2.53	4.75	27.78	21.27	133.968	Vertical	Pass	
		2595	-2.53	4.98	27.82	21.16	130.617	Vertical	Pass	
		2612.5	-2.6	4.95	27.83	21.60	144.544	Vertical	Pass	
20.0MHz Band QPSK	100/0	2580	-2.53	4.86	27.8	21.20	131.826	Vertical	Pass	
		2595	-2.37	4.79	27.83	22.21	166.341	Vertical	Pass	
		2610	-2.68	4.89	27.87	21.10	128.825	Vertical	Pass	
20.0MHz Band 16 QAM	100/0	2580	-2.87	4.95	27.73	21.25	133.352	Vertical	Pass	
		2595	-2.88	4.91	27.71	20.74	118.577	Vertical	Pass	
		2610	-2.81	4.96	27.92	20.82	120.781	Vertical	Pass	

Radiated Power (EIRP) for Band 38									
Mode	RB/RB SIZE	Frequency	Result					Polarization Of Max. ERP	Conclusion
			SG Level	Cable Loss	Antenna Gain	Max. EIRP	Max. EIRP		
			(dBm)	(dBm)	(dB)	Average (dBm)	Average (mW)		
5.0MHz Band QPSK	25/0	2572.5	-2.12	4.95	27.79	20.67	116.681	Horizontal	Pass
		2595	-2.64	4.88	27.71	20.53	112.980	Horizontal	Pass
		2617.5	-2.58	4.93	27.95	20.69	117.220	Horizontal	Pass
5.0MHz Band 16 QAM	25/0	2572.5	-2.37	4.81	27.73	21.14	130.017	Horizontal	Pass
		2595	-2.47	4.95	27.81	20.92	123.595	Horizontal	Pass
		2617.5	-2.59	5.03	27.69	20.34	108.143	Horizontal	Pass
10.0MHz Band QPSK	50/0	2575	-2.98	5.01	27.86	20.24	105.682	Horizontal	Pass
		2595	-2.6	5	27.65	20.35	108.393	Horizontal	Pass
		2615	-2.67	4.87	27.89	20.64	115.878	Horizontal	Pass
10.0MHz Band 16 QAM	50/0	2575	-2.71	4.77	27.78	20.43	110.408	Horizontal	Pass
		2595	-2.38	4.87	27.87	21.14	130.017	Horizontal	Pass
		2615	-2.56	4.94	27.77	20.31	107.399	Horizontal	Pass
15.0MHz Band QPSK	75/0	2577.5	-2.9	4.89	27.88	20.97	125.026	Horizontal	Pass
		2595	-2.32	4.87	27.84	21.02	126.474	Horizontal	Pass
		2612.5	-2.52	4.92	27.93	20.38	109.144	Horizontal	Pass
15.0MHz Band 16 QAM	75/0	2577.5	-2.53	4.75	27.78	20.39	109.396	Horizontal	Pass
		2595	-2.53	4.98	27.82	20.65	116.145	Horizontal	Pass
		2612.5	-2.6	4.95	27.83	20.77	119.399	Horizontal	Pass
20.0MHz Band QPSK	100/0	2580	-2.53	4.86	27.8	20.38	109.144	Horizontal	Pass
		2595	-2.37	4.79	27.83	21.82	152.055	Horizontal	Pass
		2610	-2.68	4.89	27.87	20.72	118.032	Horizontal	Pass
20.0MHz Band 16 QAM	100/0	2580	-2.87	4.95	27.73	20.62	115.345	Horizontal	Pass
		2595	-2.88	4.91	27.71	20.91	123.310	Horizontal	Pass
		2610	-2.81	4.96	27.92	20.71	117.761	Horizontal	Pass

Note:

SG Level= Signal generator output

Max. EIRP Average (dBm)= Antenna Gain(dB)+ SG Level (dBm)- Cable Loss(dBm)

Factor Gain(dB)=Antenna Gain(dB) + Amplifier Factor (dB)

9. SPURIOUS RADIATION EMISSION

RULE PART(S)

FCC: §2.1051, §22.917(a), §24.238(a), §27.53(c)(g)(h)(m)

LIMIT

For Band 7, the minimum permissible attenuation level of any spurious emission is $55 + \log_{10}(P)$ [Watts].

The minimum permissible attenuation level of any spurious emission is $43 + \log_{10}(P)$ [Watts], where P is the transmitter power in Watts.

TEST PROCEDURE

For Cellular equipment - Compliance with these rules is based on the use of measurement instrumentation employing a resolution bandwidth of 100 kHz or greater. In the 1 MHz bands immediately outside and adjacent to the frequency block a resolution bandwidth of at least one percent of the emission bandwidth of the fundamental emission of the transmitter may be employed. A narrower resolution bandwidth is permitted in all cases to improve measurement accuracy provided the measured power is integrated over the full required measurement bandwidth (i.e. 100 kHz or 1 percent of emission bandwidth, as specified). The emission bandwidth is defined as the width of the signal between two points, one below the carrier center frequency and one above the carrier center frequency, outside of which all emissions are attenuated at least 26 dB below the transmitter power.

For PCS equipment - Compliance with these rules is based on the use of measurement instrumentation employing a resolution bandwidth of 1 MHz or greater. However, in the 1 MHz bands immediately outside and adjacent to the frequency block a resolution bandwidth of at least one percent of the emission bandwidth of the fundamental emission of the transmitter may be employed. A narrower resolution bandwidth is permitted in all cases to improve measurement accuracy provided the measured power is integrated over the full required measurement bandwidth (i.e. 1 MHz or 1 percent of emission bandwidth, as specified). The emission bandwidth is defined as the width of the signal between two points, one below the carrier center frequency and one above the carrier center frequency, outside of which all emissions are attenuated at least 26 dB below the transmitter power.

The unwanted emission power shall be measured with a resolution bandwidth of at least 1% of the occupied bandwidth in the 1 MHz band immediately outside and adjacent to the channel edge of the equipment. Beyond the 1 MHz band immediately outside the channel edge of the equipment, a resolution bandwidth of 1 MHz shall be employed. A narrower resolution bandwidth is allowed to be used provided that the measured power is integrated over the full required measurement bandwidth of 1 MHz or 1% of the occupied bandwidth as applicable.

The power of any unwanted emissions measured from the channel edge of the equipment shall be attenuated below the transmitter power, P (dBW), as follows:

- a. for base station and subscriber equipment, other than mobile subscriber equipment, the attenuation shall not be less than $43 + 10 \text{ Log}_{10}(p)$, dB; and
- b. for mobile subscriber equipment, the attenuation shall not be less than $43 + 10 \text{ Log}_{10}(p)$, dB at the channel edges and $55 + 10 \text{ Log}_{10}(p)$ at 5.5 MHz away and beyond the channel edges where p in (a) and (b) is the transmitter power measured in watts.

MODES TESTED

- LTE Band 2
- LTE Band 4
- LTE Band 5
- LTE Band 7
- LTE Band 38

RESULTS

PASS

9.1 LTE BAND 2

QPSK EIRP POWER FOR LTE BAND 2 (1.4MHZ BANDWIDTH)

Test Results for Low Channel 1850.7MHz							
Frequency(MHz)	SG Level(dBm)	Cable Loss(dB)	Antenna Gain(dB)	Absolute Level(dBm)	Limit (dBm)	Margin(dBm)	Polarity
3701.4	-49.47	4.04	33.51	-20.00	-13	-7.00	Horizontal
3701.4	-54.63	4.04	33.51	-25.16	-13	-12.16	Vertical
5552.1	-50.45	5.24	35.84	-19.85	-13	-6.85	Vertical
5552.1	-51.92	5.24	35.84	-21.32	-13	-8.32	Horizontal
108.3	-50.65	1.39	17.57	-34.49	-13	-21.49	Vertical
225.8	-70.82	1.77	16.11	-56.50	-13	-43.50	Horizontal
Test Results for Mid Channel 1880MHz							
3760.0	-52.48	4.04	33.56	-22.96	-13	-9.96	Horizontal
3760.0	-52.48	4.04	33.56	-22.96	-13	-9.96	Vertical
5640.0	-51.17	5.24	35.91	-20.50	-13	-7.50	Vertical
5640.0	-58.59	5.24	35.91	-27.92	-13	-14.92	Horizontal
89.3	-66.59	1.36	15.21	-52.76	-13	-39.76	Vertical
105.0	-52.11	1.36	17.09	-36.40	-13	-23.40	Horizontal
Test Results for High Channel 1909.3MHz							
3818.6	-56.61	4.04	34.00	-26.65	-13	-13.65	Horizontal
3818.6	-51.95	4.04	34.00	-21.99	-13	-8.99	Vertical
5727.9	-50.59	5.24	36.04	-19.79	-13	-6.79	Vertical
5727.9	-55.83	5.24	36.04	-25.03	-13	-12.03	Horizontal
257.4	-64.96	1.57	17.03	-49.52	-13	-36.52	Vertical
238.7	-65.79	1.39	16.33	-50.87	-13	-37.87	Horizontal

QPSK EIRP POWER FOR LTE BAND 2 (20.0MHZ BANDWIDTH)

Test Results for Low Channel 1860MHz							
Frequency(MHz)	SG Level(dBm)	Cable Loss(dB)	Antenna Gain(dB)	Absolute Level(dBm)	Limit (dBm)	Margin(dBm)	Polarity
3720.0	-50.35	4.07	33.54	-20.88	-13	-7.88	Horizontal
3720.0	-45.60	4.07	33.54	-16.13	-13	-3.13	Vertical
5580.0	-47.32	5.28	35.86	-16.74	-13	-3.74	Vertical
5580.0	-48.86	5.28	35.86	-18.28	-13	-5.28	Horizontal
184.3	-64.83	1.66	15.77	-50.74	-13	-37.74	Vertical
144.2	-50.57	1.53	15.91	-36.21	-13	-23.21	Horizontal
Test Results for Mid Channel 1880MHz							
3760.0	-53.26	4.04	33.56	-23.74	-13	-10.74	Horizontal
3760.0	-49.64	4.04	33.56	-20.12	-13	-7.12	Vertical
5640.0	-49.91	5.24	35.91	-19.24	-13	-6.24	Vertical
5640.0	-49.06	5.24	35.91	-18.39	-13	-5.39	Horizontal
166.6	-70.19	1.68	17.01	-54.88	-13	-41.88	Vertical
227.9	-64.55	1.65	15.00	-51.22	-13	-38.22	Horizontal
Test Results for High Channel 1900MHz							
3800.0	-52.63	4.04	34.00	-22.67	-13	-9.67	Horizontal
3800.0	-47.99	4.04	34.00	-18.03	-13	-5.03	Vertical
5700.0	-53.13	5.24	36.04	-22.33	-13	-9.33	Vertical
5700.0	-49.89	5.24	36.04	-19.09	-13	-6.09	Horizontal
87.8	-62.64	1.66	15.16	-49.16	-13	-36.16	Vertical
145.5	-67.42	1.73	16.39	-52.78	-13	-39.78	Horizontal

Note: $P_{Mea}(dBm) = Power(dBm) + AR_{pl}(dBm)$

. Over Limit = $P_{Mea}(dBm) - Limit(dBm)$

. Both QPSK and 16QAM has been tested, the worst case is QPSK mode, the report just reported the worst case.

9.2 LTE BAND 4

QPSK EIRP POWER FOR LTE BAND 4 (1.4MHZ BANDWIDTH)

Test Results for Low Channel 1710.7MHz							
Frequency(MHz)	SG Level(dBm)	Cable Loss(dB)	Antenna Gain(dB)	Absolute Level(dBm)	Limit (dBm)	Margin(dBm)	Polarity
3421.4	-52.06	4.02	29.80	-26.28	-13	-13.28	Horizontal
3421.4	-53.58	4.02	29.80	-27.80	-13	-14.80	Vertical
5132.1	-47.34	5.24	35.84	-16.74	-13	-3.74	Vertical
5132.1	-51.17	5.24	35.84	-20.57	-13	-7.57	Horizontal
257.9	-52.91	1.38	15.61	-38.70	-13	-25.70	Vertical
107.3	-54.39	1.36	17.77	-38.00	-13	-25.00	Horizontal
Test Results for Mid Channel 1732.5MHz							
3465.0	-50.35	4.03	30.00	-24.38	-13	-11.38	Horizontal
3465.0	-53.94	4.03	30.00	-27.97	-13	-14.97	Vertical
5197.5	-48.73	5.25	35.86	-18.12	-13	-5.12	Vertical
5197.5	-49.33	5.25	35.86	-18.72	-13	-5.72	Horizontal
152.2	-61.54	1.58	16.81	-46.33	-13	-33.33	Vertical
246.6	-58.08	1.40	17.18	-42.32	-13	-29.32	Horizontal
Test Results for High Channel 1754.3MHz							
3508.6	-51.99	4.05	30.01	-26.03	-13	-13.03	Horizontal
3508.6	-46.32	4.05	30.01	-20.36	-13	-7.36	Vertical
5262.9	-51.89	5.26	35.86	-21.29	-13	-8.29	Vertical
5262.9	-50.04	5.26	35.86	-19.44	-13	-6.44	Horizontal
246.3	-59.32	1.40	15.03	-45.71	-13	-32.71	Vertical
162.1	-60.70	1.49	16.84	-45.37	-13	-32.37	Horizontal

QPSK EIRP POWER FOR LTE BAND 4 (20.0MHZ BANDWIDTH)

Test Results for Low Channel 1720MHz							
Frequency(MHz)	SG Level(dBm)	Cable Loss(dB)	Antenna Gain(dB)	Absolute Level(dBm)	Limit (dBm)	Margin(dBm)	Polarity
3440.0	-51.50	4.02	29.80	-25.72	-13	-12.72	Horizontal
3440.0	-54.23	4.02	29.80	-28.45	-13	-15.45	Vertical
5160.0	-54.52	5.24	35.84	-23.92	-13	-10.92	Vertical
5160.0	-54.70	5.24	35.84	-24.10	-13	-11.10	Horizontal
146.3	-70.29	1.38	17.09	-54.60	-13	-41.60	Vertical
261.2	-67.61	1.74	16.85	-52.52	-13	-39.52	Horizontal
Test Results for Mid Channel 1732.5MHz							
3465.0	-49.51	4.03	30.00	-23.54	-13	-10.54	Horizontal
3465.0	-52.48	4.03	30.00	-26.51	-13	-13.51	Vertical
5197.5	-46.84	5.25	35.86	-16.23	-13	-3.23	Vertical
5197.5	-54.15	5.25	35.86	-23.54	-13	-10.54	Horizontal
232.2	-65.12	1.41	17.04	-49.51	-13	-36.51	Vertical
151.6	-54.70	1.32	15.50	-40.54	-13	-27.54	Horizontal
Test Results for High Channel 1745MHz							
3490.0	-51.61	2.91	27.68	-26.84	-13	-13.84	Horizontal
3490.0	-52.37	2.91	27.68	-27.60	-13	-14.60	Vertical
5235.0	-54.15	5.26	35.86	-23.55	-13	-10.55	Vertical
5235.0	-57.29	5.26	35.86	-26.69	-13	-13.69	Horizontal
263.5	-55.39	1.34	16.90	-39.85	-13	-26.85	Vertical
142.8	-69.27	1.56	16.20	-54.65	-13	-41.65	Horizontal

Note: P_{Mea}(dBm)= Power(dBm)+ AR_{pl} (dBm)

. Over Limit= : P_{Mea}(dBm)-Limit(dBm)

. Both QPSK and 16QAM has been tested, the worst case is QPSK mode, the report just reported the worst case.

9.3 LTE BAND 5

QPSK EIRP POWER FOR LTE BAND 5 (1.4MHZ BANDWIDTH)

Test Results for Low Channel 824.7MHz							
Frequency(MHz)	SG Level(dBm)	Cable Loss(dB)	Antenna Gain(dB)	Absolute Level(dBm)	Limit (dBm)	Margin(dBm)	Polarity
1649.4	-49.57	2.78	27.50	-24.85	-13	-11.85	Horizontal
1649.4	-56.94	2.78	27.50	-32.22	-13	-19.22	Vertical
2474.1	-52.85	2.90	27.80	-27.95	-13	-14.95	Vertical
2474.1	-48.56	2.90	27.80	-23.66	-13	-10.66	Horizontal
255.2	-60.07	1.39	15.89	-45.59	-13	-32.59	Vertical
86.1	-64.99	1.78	17.20	-49.59	-13	-36.59	Horizontal
Test Results For Mid Channel 836.5MHz							
1673.0	-49.48	2.80	27.48	-24.80	-13	-11.80	Horizontal
1673.0	-49.38	2.80	27.48	-24.70	-13	-11.70	Vertical
2509.5	-56.81	2.91	27.70	-32.02	-13	-19.02	Vertical
2509.5	-53.00	2.91	27.70	-28.21	-13	-15.21	Horizontal
101.5	-64.17	1.51	17.39	-48.31	-13	-35.31	Vertical
246.3	-57.65	1.68	17.84	-41.51	-13	-28.51	Horizontal
Test Results for High Channel 848.3MHz							
1696.6	-54.73	2.82	27.43	-30.12	-13	-17.12	Horizontal
1696.6	-51.65	2.82	27.43	-27.04	-13	-14.04	Vertical
2544.9	-53.05	2.92	27.74	-28.23	-13	-15.23	Vertical
2544.9	-52.41	2.92	27.74	-27.59	-13	-14.59	Horizontal
247.4	-62.16	1.75	15.53	-48.40	-13	-35.40	Vertical
102.9	-68.62	1.59	17.25	-52.98	-13	-39.98	Horizontal

QPSK EIRP POWER FOR LTE BAND 5 (10MHZ BANDWIDTH)

Test Results for Low Channel 829MHz							
Frequency(MHz)	SG Level(dBm)	Cable Loss(dB)	Antenna Gain(dB)	Absolute Level(dBm)	Limit (dBm)	Margin(dBm)	Polarity
1658.0	-50.64	2.78	27.50	-25.92	-13	-12.92	Horizontal
1658.0	-50.20	2.78	27.50	-25.48	-13	-12.48	Vertical
2487.0	-56.30	2.90	27.80	-31.40	-13	-18.40	Vertical
2487.0	-56.04	2.90	27.80	-31.14	-13	-18.14	Horizontal
274.2	-47.71	1.39	15.23	-33.89	-13	-20.89	Vertical
92.6	-62.74	1.59	15.25	-49.10	-13	-36.10	Horizontal
Test Results for Mid Channel 836.5MHz							
1673.0	-49.22	2.80	27.48	-24.54	-13	-11.54	Horizontal
1673.0	-57.27	2.80	27.48	-32.59	-13	-19.59	Vertical
2509.5	-57.79	2.91	27.70	-33.00	-13	-20.00	Vertical
2509.5	-57.13	2.91	27.70	-32.34	-13	-19.34	Horizontal
228.8	-70.13	1.44	17.61	-53.98	-13	-40.98	Vertical
211.4	-48.97	1.59	15.36	-35.22	-13	-22.22	Horizontal
Test Results for High Channel 844MHz							
1688.0	-48.92	2.82	27.43	-24.31	-13	-11.31	Horizontal
1688.0	-53.65	2.82	27.43	-29.04	-13	-16.04	Vertical
2532.0	-56.72	2.92	27.74	-31.90	-13	-18.90	Vertical
2532.0	-55.64	2.92	27.74	-30.82	-13	-17.82	Horizontal
84.4	-64.77	1.41	16.44	-49.76	-13	-36.76	Vertical
227.3	-56.27	1.33	16.47	-41.15	-13	-28.15	Horizontal

Note: $P_{Mea}(dBm) = Power(dBm) + ARpl(dBm)$

. Over Limit = $P_{Mea}(dBm) - Limit(dBm)$

. Both QPSK and 16QAM has been tested, the worst case is QPSK mode, the report just reported the worst case.

9.4 LTE BAND 7

QPSK EIRP POWER FOR LTE BAND 7 (5.0MHZ BANDWIDTH)

Test Results for Low Channel 2502.5MHz							
Frequency(MHz)	SG Level(dBm)	Cable Loss(dB)	Antenna Gain(dB)	Absolute Level(dBm)	Limit (dBm)	Margin(dBm)	Polarity
5005.0	-67.29	5.23	35.81	-36.71	-25	-11.71	Horizontal
5005.0	-68.93	5.23	35.81	-38.35	-25	-13.35	Vertical
7507.5	-63.22	5.67	36.85	-32.04	-25	-7.04	Vertical
7507.5	-68.14	5.67	36.85	-36.96	-25	-11.96	Horizontal
366.6	-64.14	1.63	15.92	-49.87	-25	-24.87	Vertical
165.3	-62.48	1.52	15.74	-48.28	-25	-23.28	Horizontal
Test Results for Mid Channel 2535MHz							
5070.0	-68.08	5.23	35.82	-37.49	-25	-12.49	Horizontal
5070.0	-70.14	5.23	35.82	-39.55	-25	-14.55	Vertical
7605.0	-66.18	5.67	36.85	-35.00	-25	-10.00	Vertical
7605.0	-65.69	5.67	36.85	-34.51	-25	-9.51	Horizontal
131.4	-76.12	1.47	15.48	-62.13	-25	-37.13	Vertical
330.4	-82.22	1.52	16.16	-67.60	-25	-42.60	Horizontal
Test Results for High Channel 2567.5MHz							
5135.0	-67.90	5.24	35.83	-37.31	-25	-12.31	Horizontal
5135.0	-63.25	5.24	35.83	-32.66	-25	-7.66	Vertical
7702.5	-65.91	5.68	36.87	-34.72	-25	-9.72	Vertical
7702.5	-63.39	5.68	36.87	-32.20	-25	-7.20	Horizontal
519.0	-67.17	1.71	15.87	-53.03	-25	-28.03	Vertical
549.3	-74.16	1.55	16.32	-59.41	-25	-34.41	Horizontal

QPSK EIRP POWER FOR LTE BAND 7 (20.0MHZ BANDWIDTH)

Test Results for Low Channel 2510MHz							
Frequency(MHz)	SG Level(dBm)	Cable Loss(dB)	Antenna Gain(dB)	Absolute Level(dBm)	Limit (dBm)	Margin(dBm)	Polarity
5020.0	-63.27	5.23	35.82	-32.68	-25	-7.68	Horizontal
5020.0	-64.49	5.23	35.82	-33.90	-25	-8.90	Vertical
7530.0	-63.55	5.67	36.86	-32.36	-25	-7.36	Vertical
7530.0	-68.18	5.67	36.86	-36.99	-25	-11.99	Horizontal
281.9	-74.36	1.55	15.91	-60.02	-25	-35.02	Vertical
256.5	-72.14	1.60	16.19	-57.57	-25	-32.57	Horizontal
Test Results for Mid Channel 2535MHz							
5070.0	-65.94	5.23	35.82	-35.35	-25	-10.35	Horizontal
5070.0	-66.92	5.23	35.82	-36.33	-25	-11.33	Vertical
7605.0	-63.18	5.67	36.85	-32.00	-25	-7.00	Vertical
7605.0	-62.03	5.67	36.85	-30.85	-25	-5.85	Horizontal
523.9	-66.48	1.77	16.85	-51.42	-25	-26.42	Vertical
435.4	-70.36	1.33	17.97	-53.74	-25	-28.74	Horizontal
Test Results for High Channel 2560MHz							
5120.0	-70.01	5.24	35.83	-39.42	-25	-14.42	Horizontal
5120.0	-68.37	5.24	35.83	-37.78	-25	-12.78	Vertical
7680.0	-68.46	5.70	36.88	-37.28	-25	-12.28	Vertical
7680.0	-65.72	5.70	36.88	-34.54	-25	-9.54	Horizontal
238.8	-74.81	1.71	17.36	-59.18	-25	-34.18	Vertical
335.4	-62.69	1.73	17.25	-47.19	-25	-22.19	Horizontal

Note: P_{Mea}(dBm)= Power(dBm)+ AR_{pl} (dBm)

. Over Limit= : P_{Mea}(dBm)-Limit(dBm)

. Both QPSK and 16QAM has been tested, the worst case is QPSK mode, the report just reported the worst case.

9.5 LTE BAND 38
QPSK EIRP POWER FOR LTE BAND 38 (5MHZ BANDWIDTH)

Test Results for Low Channel 2572.5MHz							
Frequency(MHz)	SG Level(dBm)	Cable Loss(dB)	Antenna Gain(dB)	Absolute Level(dBm)	Limit (dBm)	Margin(dBm)	Polarity
5145	-61.15	4.01	27.5	-37.66	-25	-12.66	Horizontal
5145	-58.08	4.01	27.5	-34.59	-25	-9.59	Vertical
7717.5	-58.84	5.09	27.8	-36.13	-25	-11.13	Vertical
7717.5	-58.80	5.09	27.8	-36.09	-25	-11.09	Horizontal
Test Results For Mid Channel 2595MHz							
5190	-59.58	4.1	27.48	-36.20	-25	-11.20	Horizontal
5190	-61.51	4.1	27.48	-38.13	-25	-13.13	Vertical
7785	-61.33	5.42	27.7	-39.05	-25	-14.05	Vertical
7785	-59.81	5.42	27.7	-37.53	-25	-12.53	Horizontal
Test Results for High Channel 2617.5MHz							
5234	-60.05	4.11	27.43	-36.73	-25	-11.73	Horizontal
5234	-58.31	4.11	27.43	-34.99	-25	-9.99	Vertical
7851	-59.37	5.31	27.74	-36.94	-25	-11.94	Vertical
7851	-60.14	5.31	27.74	-37.71	-25	-12.71	Horizontal

QPSK EIRP POWER FOR LTE BAND 38 (20MHZ BANDWIDTH)

Test Results for Low Channel 2580MHz							
Frequency(MHz)	SG Level(dBm)	Cable Loss(dB)	Antenna Gain(dB)	Absolute Level(dBm)	Limit (dBm)	Margin(dBm)	Polarity
5160	-59.72	3.89	27.5	-36.11	-25	-11.11	Horizontal
5160	-61.99	3.89	27.5	-38.38	-25	-13.38	Vertical
7740	-58.13	5.33	27.8	-35.66	-25	-10.66	Vertical
7740	-56.34	5.33	27.8	-33.87	-25	-8.87	Horizontal
Test Results for Mid Channel 2595MHz							
5190	-58.64	4.1	27.48	-35.26	-25	-10.26	Horizontal
5190	-57.30	4.1	27.48	-33.92	-25	-8.92	Vertical
7785	-58.90	5.42	27.7	-36.62	-25	-11.62	Vertical
7785	-60.13	5.42	27.7	-37.85	-25	-12.85	Horizontal
Test Results for High Channel 2610MHz							
5220	-61.78	4.01	27.43	-38.36	-25	-13.36	Horizontal
5220	-58.07	4.01	27.43	-34.65	-25	-9.65	Vertical
7830	-60.07	5.34	27.74	-37.67	-25	-12.67	Vertical

Note: $P_{Mea}(dBm) = Power(dBm) + AR_{pl}(dBm)$

Over Limit = : $P_{Mea}(dBm) - Limit(dBm)$

We test both H direction and V direction, recorded worst case direction.

Both QPSK and 16QAM has been tested, the worst case is QPSK mode, the report just reported the worst case.

10. FREQUENCY STABILITY

RULE PART(S)

FCC: §2.1055, §22.355, §24.235, §27.54

LIMITS

§22.355 - The carrier frequency shall not depart from the reference frequency in excess of ± 2.5 ppm for mobile stations.

§24.235 - The frequency stability shall be sufficient to ensure that the fundamental emission stays within the authorized frequency block.

TEST PROCEDURE

Use CMW 500 with Frequency Error measurement capability.

- Temp. = -30° to $+50^{\circ}\text{C}$
- Voltage = low voltage, DC 3.4V, Normal, DC 3.7V and High voltage, DC 4.2V.

Frequency Stability vs Temperature:

The EUT is placed inside a temperature chamber. The temperature is set to -30°C and allowed to stabilize. After sufficient soak time, the transmitting frequency error is measured. The temperature is increased by 10 degrees, allowed to stabilize and soak, and then the measurement is repeated. This is repeated until $+50^{\circ}\text{C}$ is reached.

Frequency Stability vs Voltage:

The peak frequency error is recorded (worst-case).

MODES TESTED

- LTE Band 2
- LTE Band 4
- LTE Band 5
- LTE Band 7
- LTE Band 38

RESULTS

See the following pages.

10.1 LTE BAND 2

Band 2 QPSK, (20MHz BANDWIDTH RB size 100 RB Offset 0)

Frequency error vs. Voltage

Voltage [Vdc]	Frequency [MHz]	Frequency* Error[Hz]	Frequency Error[ppm]	Limit [ppm]
3.4	1880	-13.18	-0.007011	2.5
3.7	1880	-12.77	-0.006793	2.5
4.2	1880	-9.51	-0.005059	2.5

Frequency error vs. Temperature

Temperature [° C]	Frequency [MHz]	Frequency* Error[Hz]	Frequency Error[ppm]	Limit [ppm]
Normal (25C)	1880	-12.14	-0.006457	2.5
Extreme (50C)	1880	-10.80	-0.005745	2.5
Extreme (40C)	1880	-15.74	-0.008372	2.5
Extreme (30C)	1880	-9.59	-0.005101	2.5
Extreme (10C)	1880	-16.25	-0.008644	2.5
Extreme (0C)	1880	-9.52	-0.005064	2.5
Extreme (-10C)	1880	-16.07	-0.008548	2.5
Extreme (-20C)	1880	-12.93	-0.006878	2.5
Extreme (-30C)	1880	-9.04	-0.004809	2.5

Band 2 16QAM, (20MHz BANDWIDTH RB size 100 RB Offset 0)

Frequency error vs. Voltage

Voltage [Vdc]	Frequency [MHz]	Frequency* Error[Hz]	Frequency Error[ppm]	Limit [ppm]
3.4	1880	-6.96	-0.003702	2.5
3.7	1880	-4.24	-0.002255	2.5
4.2	1880	-2.22	-0.001181	2.5

Frequency error vs. Temperature

Temperature [° C]	Frequency [MHz]	Frequency* Error[Hz]	Frequency Error[ppm]	Limit [ppm]
Normal (25C)	1880	-3.92	-0.002085	2.5
Extreme (50C)	1880	-9.13	-0.004856	2.5
Extreme (40C)	1880	-4.65	-0.002473	2.5
Extreme (30C)	1880	-2.64	-0.001404	2.5
Extreme (10C)	1880	-10.91	-0.005803	2.5
Extreme (0C)	1880	-3.27	-0.001739	2.5
Extreme (-10C)	1880	-11.06	-0.005883	2.5
Extreme (-20C)	1880	-8.48	-0.004511	2.5
Extreme (-30C)	1880	-4.15	-0.002207	2.5

*Note: Frequency error measurements were made by using the build-in capability of the Wireless Communication Test Set.

10.2 LTE BAND 4

Band 4 QPSK, (20MHz BANDWIDTH RB size 100 RB Offset 0)

Frequency error vs. Voltage

Voltage [Vdc]	Frequency [MHz]	Frequency* Error[Hz]	Frequency Error[ppm]	Limit [ppm]
3.4	1732.5	-4.19	-0.002418	2.5
3.7	1732.5	-7.45	-0.004300	2.5
4.2	1732.5	-5.57	-0.003215	2.5

Frequency error vs. Temperature

Temperature [°C]	Frequency [MHz]	Frequency* Error[Hz]	Frequency Error[ppm]	Limit [ppm]
Normal (25C)	1732.5	-5.39	-0.003111	2.5
Extreme (50C)	1732.5	-5.19	-0.002996	2.5
Extreme (40C)	1732.5	-2.57	-0.001483	2.5
Extreme (30C)	1732.5	-0.24	-0.000139	2.5
Extreme (10C)	1732.5	1.54	0.000889	2.5
Extreme (0C)	1732.5	-1.64	-0.000947	2.5
Extreme (-10C)	1732.5	-1.26	-0.000727	2.5
Extreme (-20C)	1732.5	-3.18	-0.001835	2.5
Extreme (-30C)	1732.5	-7.19	-0.004150	2.5

Band 4 16QAM, (20MHz BANDWIDTH RB size 100 RB Offset 0)

Frequency error vs. Voltage

Voltage [Vdc]	Frequency [MHz]	Frequency* Error[Hz]	Frequency Error[ppm]	Limit [ppm]
3.4	1732.5	-6.49	-0.003746	2.5
3.7	1732.5	-2.59	-0.001495	2.5
4.2	1732.5	-4.72	-0.002724	2.5

Frequency error vs. Temperature

Temperature [°C]	Frequency [MHz]	Frequency* Error[Hz]	Frequency Error[ppm]	Limit [ppm]
Normal (25C)	1732.5	-10.16	-0.005864	2.5
Extreme (50C)	1732.5	-10.38	-0.005991	2.5
Extreme (40C)	1732.5	-7.28	-0.004202	2.5
Extreme (30C)	1732.5	-7.46	-0.004306	2.5
Extreme (10C)	1732.5	-5.79	-0.003342	2.5
Extreme (0C)	1732.5	-8.02	-0.004629	2.5
Extreme (-10C)	1732.5	-9.46	-0.005460	2.5
Extreme (-20C)	1732.5	-4.73	-0.002730	2.5
Extreme (-30C)	1732.5	-8.16	-0.004710	2.5

***Note:** Frequency error measurements were made by using the build-in capability of the Wireless Communication Test Set.

10.3 LTE BAND 5

Band 5 QPSK, (10MHz BANDWIDTH RB size 50 RB Offset 0)

Frequency error vs. Voltage

Voltage [Vdc]	Frequency [MHz]	Frequency* Error[Hz]	Frequency Error[ppm]	Limit [ppm]
3.4	836.5	-2.88	-0.003443	2.5
3.7	836.5	-4.39	-0.005248	2.5
4.2	836.5	0.59	0.000705	2.5

Frequency error vs. Temperature

Temperature [° C]	Frequency [MHz]	Frequency* Error[Hz]	Frequency Error[ppm]	Limit [ppm]
Normal (25C)	836.5	-6.16	-0.007364	2.5
Extreme (50C)	836.5	1.27	0.001518	2.5
Extreme (40C)	836.5	-4.99	-0.005965	2.5
Extreme (30C)	836.5	-1.28	-0.001530	2.5
Extreme (10C)	836.5	3.08	0.003682	2.5
Extreme (0C)	836.5	0.43	0.000514	2.5
Extreme (-10C)	836.5	-4.23	-0.005057	2.5
Extreme (-20C)	836.5	-1.73	-0.002068	2.5
Extreme (-30C)	836.5	-6.32	-0.007555	2.5

Band 5 16QAM, (10MHz BANDWIDTH RB size 50 RB Offset 0)

Frequency error vs. Voltage

Voltage [Vdc]	Frequency [MHz]	Frequency* Error[Hz]	Frequency Error[ppm]	Limit [ppm]
3.4	836.5	-7.1	-0.008488	2.5
3.7	836.5	-7.32	-0.008751	2.5
4.2	836.5	-1.75	-0.002092	2.5

Frequency error vs. Temperature

Temperature [° C]	Frequency [MHz]	Frequency* Error[Hz]	Frequency Error[ppm]	Limit [ppm]
Normal (25C)	836.5	-1.47	-0.001757	2.5
Extreme (50C)	836.5	-6.60	-0.007890	2.5
Extreme (40C)	836.5	-5.77	-0.006898	2.5
Extreme (30C)	836.5	-7.32	-0.008751	2.5
Extreme (10C)	836.5	-11.21	-0.013401	2.5
Extreme (0C)	836.5	-2.76	-0.003299	2.5
Extreme (-10C)	836.5	-1.40	-0.001674	2.5
Extreme (-20C)	836.5	-10.22	-0.012218	2.5
Extreme (-30C)	836.5	-6.33	-0.007567	2.5

***Note:** Frequency error measurements were made by using the build-in capability of the Wireless Communication Test Set.

10.4 LTE BAND 7

Band 7 QPSK, (20MHz BANDWIDTH RB size 100 RB Offset 0)

Frequency error vs. Voltage

Voltage [Vdc]	Frequency [MHz]	Frequency* Error[Hz]	Frequency Error[ppm]	Limit [ppm]
3.4	2535	36.89	0.014552	2.5
3.7	2535	37.71	0.014876	2.5
4.2	2535	37.01	0.014600	2.5

Frequency error vs. Temperature

Temperature [° C]	Frequency [MHz]	Frequency* Error[Hz]	Frequency Error[ppm]	Limit [ppm]
Normal (25C)	2535	36.41	0.014363	2.5
Extreme (50C)	2535	35.38	0.013957	2.5
Extreme (40C)	2535	42.35	0.016706	2.5
Extreme (30C)	2535	33.22	0.013105	2.5
Extreme (10C)	2535	40.81	0.016099	2.5
Extreme (0C)	2535	36.23	0.014292	2.5
Extreme (-10C)	2535	36.34	0.014335	2.5
Extreme (-20C)	2535	40.64	0.016032	2.5
Extreme (-30C)	2535	34.24	0.013507	2.5

Band 7 16QAM, (20MHz BANDWIDTH RB size 100 RB Offset 0)

Frequency error vs. Voltage

Voltage [Vdc]	Frequency [MHz]	Frequency* Error[Hz]	Frequency Error[ppm]	Limit [ppm]
3.4	2535	-23.21	-0.009156	2.5
3.7	2535	-21.94	-0.008655	2.5
4.2	2535	-24.44	-0.009641	2.5

Frequency error vs. Temperature

Temperature [° C]	Frequency [MHz]	Frequency* Error[Hz]	Frequency Error[ppm]	Limit [ppm]
Normal (25C)	2535	-23.42	-0.009239	2.5
Extreme (50C)	2535	-20.09	-0.007925	2.5
Extreme (40C)	2535	-20.50	-0.008087	2.5
Extreme (30C)	2535	-23.35	-0.009211	2.5
Extreme (10C)	2535	-18.47	-0.007286	2.5
Extreme (0C)	2535	-25.53	-0.010071	2.5
Extreme (-10C)	2535	-23.00	-0.009073	2.5
Extreme (-20C)	2535	-27.00	-0.010651	2.5
Extreme (-30C)	2535	-24.79	-0.009779	2.5

***Note:** Frequency error measurements were made by using the build-in capability of the Wireless Communication Test Set.

10.5 LTE BAND 2

Band 2 QPSK, (20MHz BANDWIDTH RB size 100 RB Offset 0)

Frequency error vs. Voltage

Voltage [Vdc]	Frequency [MHz]	Frequency* Error[Hz]	Frequency Error[ppm]	Limit [ppm]
3.4	1880	-11.69	-0.00622	2.5
3.8	1880	-11.28	-0.00600	2.5
4.2	1880	-8.02	-0.00427	2.5

Frequency error vs. Temperature

Temperature [° C]	Frequency [MHz]	Frequency* Error[Hz]	Frequency Error[ppm]	Limit [ppm]
Normal (25C)	1880	-10.65	-0.00566	2.5
Extreme (50C)	1880	-9.31	-0.00495	2.5
Extreme (40C)	1880	-14.25	-0.00758	2.5
Extreme (30C)	1880	-8.1	-0.00431	2.5
Extreme (10C)	1880	-14.76	-0.00785	2.5
Extreme (0C)	1880	-8.03	-0.00427	2.5
Extreme (-10C)	1880	-14.58	-0.00776	2.5
Extreme (-20C)	1880	-11.44	-0.00609	2.5
Extreme (-30C)	1880	-7.55	-0.00402	2.5

Band 2 16QAM, (20MHz BANDWIDTH RB size 100 RB Offset 0)

Frequency error vs. Voltage

Voltage [Vdc]	Frequency [MHz]	Frequency* Error[Hz]	Frequency Error[ppm]	Limit [ppm]
3.4	1880	-5.47	-0.00291	2.5
3.8	1880	-2.75	-0.00146	2.5
4.2	1880	-0.73	-0.00039	2.5

Frequency error vs. Temperature

Temperature [° C]	Frequency [MHz]	Frequency* Error[Hz]	Frequency Error[ppm]	Limit [ppm]
Normal (25C)	1880	-2.43	-0.00129	2.5
Extreme (50C)	1880	-7.64	-0.00406	2.5
Extreme (40C)	1880	-3.16	-0.00168	2.5
Extreme (30C)	1880	-1.15	-0.00061	2.5
Extreme (10C)	1880	-9.42	-0.00501	2.5
Extreme (0C)	1880	-1.78	-0.00095	2.5
Extreme (-10C)	1880	-9.57	-0.00509	2.5
Extreme (-20C)	1880	-6.99	-0.00372	2.5
Extreme (-30C)	1880	-2.66	-0.00141	2.5

*Note: Frequency error measurements were made by using the build-in capability of the Wireless Communication Test Set.

10.6 LTE BAND 4

Band 4 QPSK, (20MHz BANDWIDTH RB size 100 RB Offset 0)

Frequency error vs. Voltage

Voltage [Vdc]	Frequency [MHz]	Frequency* Error[Hz]	Frequency Error[ppm]	Limit [ppm]
3.4	1732.5	-2.7	-0.00156	2.5
3.8	1732.5	-5.96	-0.00344	2.5
4.2	1732.5	-4.08	-0.00235	2.5

Frequency error vs. Temperature

Temperature [°C]	Frequency [MHz]	Frequency* Error[Hz]	Frequency Error[ppm]	Limit [ppm]
Normal (25C)	1732.5	-3.9	-0.00225	2.5
Extreme (50C)	1732.5	-3.7	-0.00214	2.5
Extreme (40C)	1732.5	-1.08	-0.00062	2.5
Extreme (30C)	1732.5	1.25	0.00072	2.5
Extreme (10C)	1732.5	3.03	0.00175	2.5
Extreme (0C)	1732.5	-0.15	-0.00009	2.5
Extreme (-10C)	1732.5	0.23	0.00013	2.5
Extreme (-20C)	1732.5	-1.69	-0.00098	2.5
Extreme (-30C)	1732.5	-5.7	-0.00329	2.5

Band 4 16QAM, (20MHz BANDWIDTH RB size 100 RB Offset 0)

Frequency error vs. Voltage

Voltage [Vdc]	Frequency [MHz]	Frequency* Error[Hz]	Frequency Error[ppm]	Limit [ppm]
3.4	1732.5	-5	-0.00289	2.5
3.8	1732.5	-1.1	-0.00063	2.5
4.2	1732.5	-3.23	-0.00186	2.5

Frequency error vs. Temperature

Temperature [°C]	Frequency [MHz]	Frequency* Error[Hz]	Frequency Error[ppm]	Limit [ppm]
Normal (25C)	1732.5	-8.67	-0.00500	2.5
Extreme (50C)	1732.5	-8.89	-0.00513	2.5
Extreme (40C)	1732.5	-5.79	-0.00334	2.5
Extreme (30C)	1732.5	-5.97	-0.00345	2.5
Extreme (10C)	1732.5	-4.3	-0.00248	2.5
Extreme (0C)	1732.5	-6.53	-0.00377	2.5
Extreme (-10C)	1732.5	-7.97	-0.00460	2.5
Extreme (-20C)	1732.5	-3.24	-0.00187	2.5
Extreme (-30C)	1732.5	-6.67	-0.00385	2.5

***Note:** Frequency error measurements were made by using the build-in capability of the Wireless Communication Test Set.

10.7 LTE BAND 5

Band 5 QPSK, (10MHz BANDWIDTH RB size 50 RB Offset 0)

Frequency error vs. Voltage

Voltage [Vdc]	Frequency [MHz]	Frequency* Error[Hz]	Frequency Error[ppm]	Limit [ppm]
3.4	836.5	-1.39	-0.00166	2.5
3.8	836.5	-2.9	-0.00347	2.5
4.2	836.5	-0.9	-0.00108	2.5

Frequency error vs. Temperature

Temperature [° C]	Frequency [MHz]	Frequency* Error[Hz]	Frequency Error[ppm]	Limit [ppm]
Normal (25C)	836.5	-4.67	-0.00558	2.5
Extreme (50C)	836.5	-0.22	-0.00026	2.5
Extreme (40C)	836.5	-3.5	-0.00418	2.5
Extreme (30C)	836.5	0.21	0.00025	2.5
Extreme (10C)	836.5	1.59	0.00190	2.5
Extreme (0C)	836.5	-1.06	-0.00127	2.5
Extreme (-10C)	836.5	-2.74	-0.00328	2.5
Extreme (-20C)	836.5	-0.24	-0.00029	2.5
Extreme (-30C)	836.5	-4.83	-0.00577	2.5

Band 5 16QAM, (10MHz BANDWIDTH RB size 50 RB Offset 0)

Frequency error vs. Voltage

Voltage [Vdc]	Frequency [MHz]	Frequency* Error[Hz]	Frequency Error[ppm]	Limit [ppm]
3.4	836.5	-5.61	-0.00671	2.5
3.8	836.5	-5.83	-0.00697	2.5
4.2	836.5	-0.26	-0.00031	2.5

Frequency error vs. Temperature

Temperature [° C]	Frequency [MHz]	Frequency* Error[Hz]	Frequency Error[ppm]	Limit [ppm]
Normal (25C)	836.5	0.02	0.00002	2.5
Extreme (50C)	836.5	-5.11	-0.00611	2.5
Extreme (40C)	836.5	-4.28	-0.00512	2.5
Extreme (30C)	836.5	-5.83	-0.00697	2.5
Extreme (10C)	836.5	-9.72	-0.01162	2.5
Extreme (0C)	836.5	-1.27	-0.00152	2.5
Extreme (-10C)	836.5	0.09	0.00011	2.5
Extreme (-20C)	836.5	-8.73	-0.01044	2.5
Extreme (-30C)	836.5	-4.84	-0.00579	2.5

***Note:** Frequency error measurements were made by using the build-in capability of the Wireless Communication Test Set.

10.8 LTE BAND 7

Band 7 QPSK, (20MHz BANDWIDTH RB size 100 RB Offset 0)

Frequency error vs. Voltage

Voltage [Vdc]	Frequency [MHz]	Frequency* Error[Hz]	Frequency Error[ppm]	Limit [ppm]
3.4	2535	35.4	0.01396	2.5
3.8	2535	36.22	0.01429	2.5
4.2	2535	35.52	0.01401	2.5

Frequency error vs. Temperature

Temperature [° C]	Frequency [MHz]	Frequency* Error[Hz]	Frequency Error[ppm]	Limit [ppm]
Normal (25C)	2535	34.92	0.01378	2.5
Extreme (50C)	2535	33.89	0.01337	2.5
Extreme (40C)	2535	40.86	0.01612	2.5
Extreme (30C)	2535	31.73	0.01252	2.5
Extreme (10C)	2535	39.32	0.01551	2.5
Extreme (0C)	2535	34.74	0.01370	2.5
Extreme (-10C)	2535	34.85	0.01375	2.5
Extreme (-20C)	2535	39.15	0.01544	2.5
Extreme (-30C)	2535	32.75	0.01292	2.5

Band 7 16QAM, (20MHz BANDWIDTH RB size 100 RB Offset 0)

Frequency error vs. Voltage

Voltage [Vdc]	Frequency [MHz]	Frequency* Error[Hz]	Frequency Error[ppm]	Limit [ppm]
3.4	2535	-21.72	-0.00857	2.5
3.8	2535	-20.45	-0.00807	2.5
4.2	2535	-22.95	-0.00905	2.5

Frequency error vs. Temperature

Temperature [° C]	Frequency [MHz]	Frequency* Error[Hz]	Frequency Error[ppm]	Limit [ppm]
Normal (25C)	2535	-21.93	-0.00865	2.5
Extreme (50C)	2535	-18.6	-0.00734	2.5
Extreme (40C)	2535	-19.01	-0.00750	2.5
Extreme (30C)	2535	-21.86	-0.00862	2.5
Extreme (10C)	2535	-16.98	-0.00670	2.5
Extreme (0C)	2535	-24.04	-0.00948	2.5
Extreme (-10C)	2535	-21.51	-0.00849	2.5
Extreme (-20C)	2535	-25.51	-0.01006	2.5
Extreme (-30C)	2535	-23.3	-0.00919	2.5

***Note:** Frequency error measurements were made by using the build-in capability of the Wireless Communication Test Set.

10.9 LTE BAND 38

Band 38 QPSK, (10MHz BANDWIDTH RB size 50 RB Offset 0)

Frequency error vs. Voltage

Voltage [Vdc]	Frequency [MHz]	Frequency* Error[Hz]	Frequency Error[ppm]	Limit [ppm]
3.4	2595	8.9	0.003415	2.5
3.8	2595	6.4	0.002455	2.5
4.2	2595	7.8	0.003012	2.5

Frequency error vs. Temperature

Temperature [°C]	Frequency [MHz]	Frequency* Error[Hz]	Frequency Error[ppm]	Limit [ppm]
Normal (25C)	2595	7.2	0.002773	2.5
Extreme (50C)	2595	4.5	0.001741	2.5
Extreme (40C)	2595	5.4	0.002097	2.5
Extreme (30C)	2595	4.9	0.001884	2.5
Extreme (10C)	2595	6.1	0.002351	2.5
Extreme (0C)	2595	4.9	0.001877	2.5
Extreme (-10C)	2595	9.6	0.003711	2.5
Extreme (-20C)	2595	10.4	0.004016	2.5
Extreme (-30C)	2595	6.3	0.002432	2.5

Band 38 16QAM, (10MHz BANDWIDTH RB size 50 RB Offset 0)

Frequency error vs. Voltage

Voltage [Vdc]	Frequency [MHz]	Frequency* Error[Hz]	Frequency Error[ppm]	Limit [ppm]
3.4	2595	8.5	0.003274	2.5
3.8	2595	6.2	0.002408	2.5
4.2	2595	6.1	0.002365	2.5

Frequency error vs. Temperature

Temperature [°C]	Frequency [MHz]	Frequency* Error[Hz]	Frequency Error[ppm]	Limit [ppm]
Normal (25C)	2595	7.2	0.002789	2.5
Extreme (50C)	2595	4.6	0.001791	2.5
Extreme (40C)	2595	5.0	0.001914	2.5
Extreme (30C)	2595	4.8	0.001862	2.5
Extreme (10C)	2595	6.7	0.002574	2.5
Extreme (0C)	2595	4.9	0.001869	2.5
Extreme (-10C)	2595	9.7	0.003721	2.5
Extreme (-20C)	2595	10.6	0.004097	2.5
Extreme (-30C)	2595	6.2	0.002381	2.5

***Note:** Frequency error measurements were made by using the build-in capability of the Wireless Communication Test Set.

11. Peak-to-Average Ratio

11.1 Description of the PAR Measurement

The peak-to-average ratio (PAR) of the transmission may not exceed 13 dB.

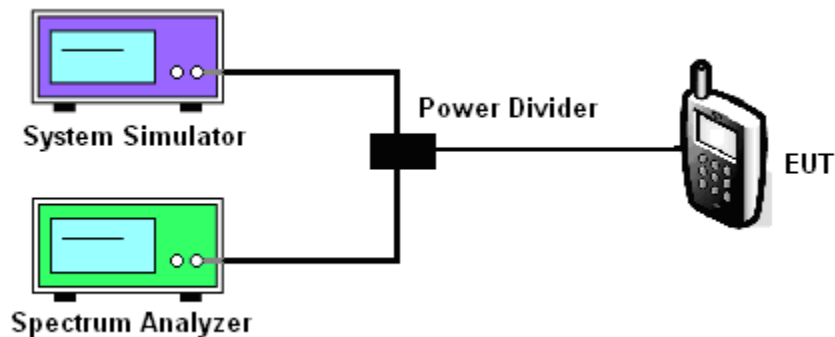
11.2 Measuring Instruments

See list of measuring instruments of this test report.

11.3 Test Procedures

1. The EUT was connected to Spectrum Analyzer and Base Station via power divider.
2. The RF output of EUT was connected to the spectrum analyzer by RF cable and attenuator. The path loss was compensated to the results for each measurement.
3. For LTE operating modes:
 - a. Set the CCDF (Complementary Cumulative Distribution Function) option in spectrum analyzer.
 - b. The highest RF powers were measured and recorded the maximum PAPR level associated with a probability of 0.1 %.

11.4 Test Setup



MODES TESTED

- LTE Band 2/4/5/7/38
-

Test data reference attachment.

----END OF REPORT----