

E&L[®]

E&L[®]

**T H R E E
P R O O F I N G S W 6 Quick Guide**

Table of Contents

Safety Information.....	3
Appearance and Key Function.....	7
Introduction.....	9
Call Functions.....	12
Notifications Bar.....	13
Contacts.....	15
Messaging.....	16
Bluetooth and Wi-Fi.....	17
Download.....	18
Internet.....	19

Play Store.....	20
Camera.....	21
Gallery.....	22
Music.....	23
FM Radio.....	24
Sound Recorder.....	25
Calendar.....	26
Alarm Clock.....	27
Settings.....	28
Maintenance and Service.....	29

Safety Information

Please carefully read the terms below:

Use Safety

Do not use the phone in situations where it might cause danger.

Transportation Safety

Please observe all transportation laws or regulations.

Please drive with both hands on the wheel.

PLEASE DRIVE RESPONSIBLY-DO NOT TEXT AND DRIVE.

Hospital Safety

Please follow hospital rules and limitations.

Please turn off your mobile phone when near medical instruments.

Airport Safety

Remember to follow all airport and flight safety regulations.

Please do not use your phone during flight.

Chemical Warning

Do not use your mobile phone around fuels and chemicals.

Temperature Warning

Do not subject your phone to extreme temperature conditions.

Emergency Calls

Make sure your mobile phone is switched on and in a service area. In home screen, tap the phone key and dial the emergency number.

Accessories and Batteries

Only use original batteries and accessories.

Information Backup

Remember to keep a written record of all important information.

Battery Safety and Precautions

-For better performance and longer battery life, it is recommended that you charge the battery fully before using the mobile phone for the first time.

-The optimum performance of a new battery is typically achieved after two or three complete charge cycles

Note: Keep in mind that continuous overcharging will affect battery life.

-While charging, keep the mobile phone out the reach of children.

-Put the battery in a cool and dry place, away from sunlight and water.

-Do not expose batteries in extreme temperatures(below-8°C(18°F) or above

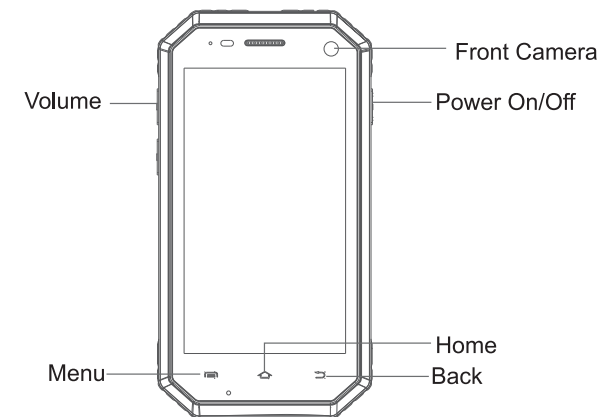
43°C(110°F).

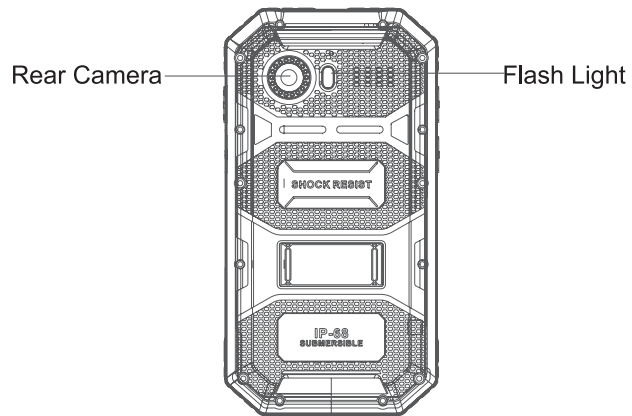
-Immediately stop using the battery if it produces the odor, cracks and leaks, overheats, distorts or has any other type of physical damage.

-Avoid using the charger near or around liquids. If the charger happens to contact with the water or any liquids, immediately unplug it from the outlet to reduce the risk of overheating, charger malfunction, electric shock or fire.

Warning: Please be careful with the disposal of used batteries. Do not throw away the batteries with daily waste. Please follow local environment laws and guidelines for proper waste disposal.

Appearance and Key Function





Introduction

Installation of the SIM card

Advisory: Please keep the SIM card out of the reach of children. The SIM card and its contacts are easily damaged due to scratching or bending. Please use cautiously when carrying, installing or taking out the SIM card.

NB: Please contact your cellular phone service provider directly to obtain your SIM card.

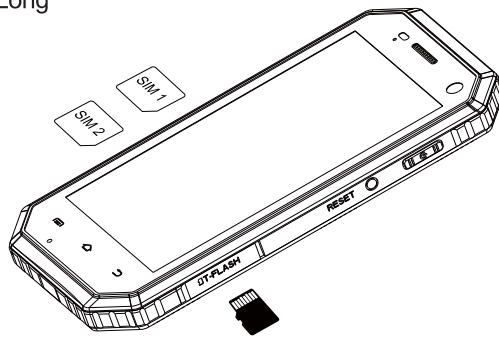
To insert SIM card:

1. Insert the SIM card.
2. Insert the SD card.(For additional storage capacity)

Power On and Off

On-Please ensure the SIM card has been properly inserted into the phone. Long press the Power key to switch the phone on.

Off-In standby mode, long press Power key until an option menu appears. Select Power Off in the menu and confirm in the pop-up prompt to switch off the phone.



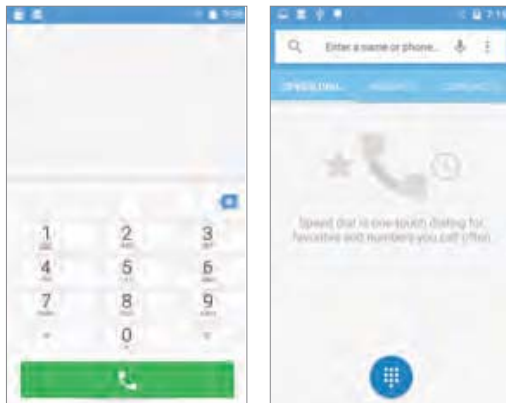
Security

You may set a security lock feature as a security measure for the phone. For password revision and other functions, the password lock further information, please enter into the security position in system settings.

Call Functions

At the dial keyboard, enter the phone number and then click the dial key.

Call logs: Every telephone number called and received will be saved in the phone's call log. All the numbers in the call log can be dialed directly by clicking the dial icon on the screen.

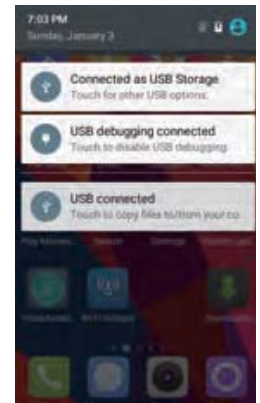


12

Notifications Bar

The notification bar is located on the top of the screen which contains useful and important information regarding your phone and the applications that are installed. For example, if the USB plug is inserted, it will show "USB connected".

Notification Settings: The settings window provides shortcuts to different phone settings for quick access. Click on any of the shortcut



13

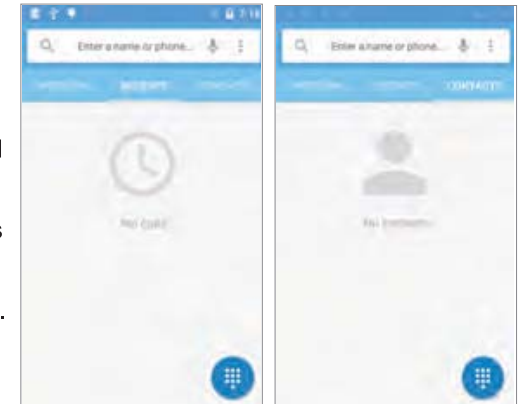
notification icons to power on/off.



Contacts

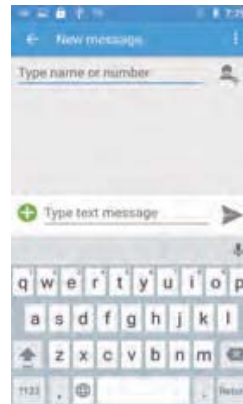
Click on the applications menu and select people.

The default display is the phone contacts, the Contacts are listed alphabetically by default. Select any contacts, the dialing options will be shown. Click the add contact icon (+) to add contacts.



Messaging

You will find the messaging icon at the bottom of the surface, click the messaging to edit your text and send to your family or friends.



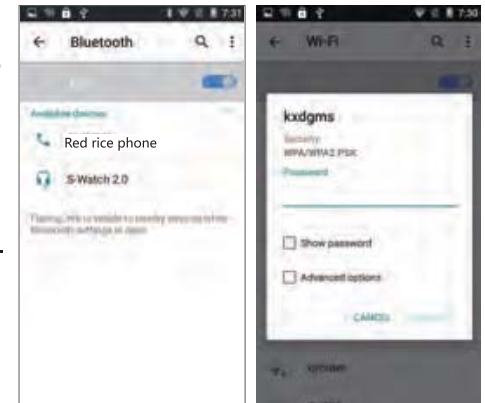
Bluetooth and Wi-Fi

Power on Bluetooth:

Settings>Bluetooth and select to power on Bluetooth. The Bluetooth icon will appear in the notification bar, then it will start to scan for all devices within its range and will display all available devices in a list.

Power on Wi-Fi:

Settings>Wi-Fi and select ON to power on Wifi. Click on the desired Wi-Fi network to be connected.



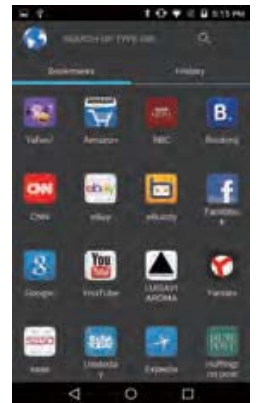
Download

Visit Google website to download application or file, and it displays what you are searching for.



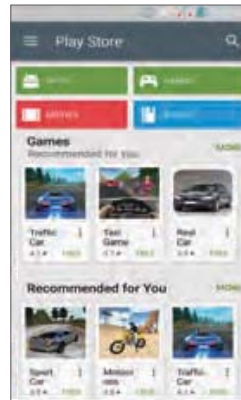
Internet

Before browsing, ensure the internet is connected, Then it can be searched once it is fine.



Play Store

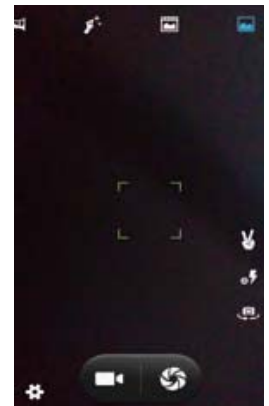
Google play allows you to download music, movies, and games directly to your device. To access the Google Play Store, click on the Applications Menu and then the Play Store Icon.



Camera

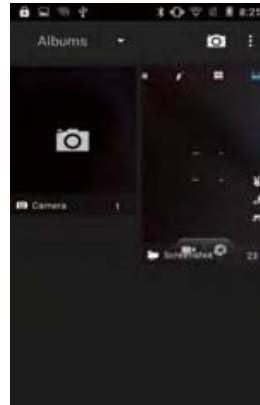
Open Camera: you may place a camera shortcut icon on any of the screens.

Take pictures: aim the object to take pictures.



Gallery

Open images: Application Menu>Gallery.
Pictures are stored in separate albums.



Music

Open Music: Application Menu>Music
Music is sorted by different files such as Artists,
Albums, Songs, Playlists, choose one of the songs,
click it, it will play.



FM radio

The FM radio uses the wired headphones as an antenna in order to receive signal. Before using this function, connect the original equipment headphones that came with phone.

Open FM radio: Press the FM radio icon to open the application; Click to scan FM Channels automatically then click to add any of your favorite radio stations.



Sound Recorder

Open Sound Recorder: Application Menu>Tools>Sound Recorder
Recording: Keep the phone's microphone near the sound source; Click the Record button to record the audio; Click the Stop button to stop recording the audio.



Calendar

The calendar helps to track your life's most important moments in one application.



Alarm Clock

Click on the Clock icon then click the alarm tab to enter the alarm clock set surface. This option allows you to add and edit alarms.



Settings

Open Settings on the Application Menu. Click any functions you want to set.



Maintenance and service

Your phone is a product with exquisite design and process. Please use carefully. Followings are some suggestions for you to effectively use the maintenance service.

1. Keep the phone dry. Rainwater, moisture, other liquids or moisture contents may contain mineral matters, which may erode the electronic wires. If the phone is wetted, please take out the battery till the phone is totally dried and then put in the phone.
2. Do not use or store the phone in dusty or filthy places; otherwise, the detachable parts and electronic elements may be damaged.

3. Do not put the phone in overheated places.
4. Do not keep the phone under cooled places; otherwise, when the temperature rises to normal, moisture may be generated within the phone, resulting in damage of the circuit board.
5. Please open the phone as per the descriptions in the manual. Don't try any other means.
6. Do not throw, knock or shake the phone. Any rough treatment of the phone may result in damage of the inner circuit board and its exquisite structure.
7. Do not clean the phone with ardent chemical, detergent or strong wash.
8. Do not paint any dyestuff on the phone. Painting may block foreign substances in detached parts and thus affect the normal operation.

9. Clean the lens with clean, dry soft cloth (such as the camera lens, distance sensor and light sensor).
other accessories. If any phone doesn't work, please take it to the nearest authorized maintenance agency for repairing.
10. Only use matched or approved antenna for substitution of the damaged one. Unapproved antenna, alteration or accessories may result in damage of the equipment.
11. Please use the charger in indoor area.
12. Back up data that should be kept (such as the address directory and calendar memorandum).
13. Please turn off the equipment and then take out the battery to maintain the best performance.

The above suggestions also apply to your phone, battery, charger and other accessories. If any device doesn't work, please take it to the nearest authorized maintenance agency for repairing.

FCC Caution: Any changes or modifications not expressly approved by the party responsible for compliance could void the user's authority to operate this equipment.

This device complies with Part 15 of the FCC Rules. Operation is subject to the following two conditions:

- (1) This device may not cause harmful interference, and
- (2) this device must accept any interference received, including interference that may cause undesired operation.

This Product meets the government's requirements for exposure to radio waves. The guidelines are based on standards that were developed by independent scientific organizations through periodic and thorough evaluation of scientific studies. The standards include a substantial safety margin designed to assure the safety of all persons regardless of age or health.

FCC RF Exposure Information and Statement the SAR limit of USA (FCC) is 1.6 W/kg averaged over one gram of this Device W6 (FCC ID: ZSHW6 has been tested against this SAR limit. SAR information on this can be viewed on-line at <http://www.fcc.gov/oet/ea/fccid/>. Please use the device FCC ID number for search. This device was tested for typical operations 10mm from the body. To maintain compliance with FCC RF exposure requirements, 10mm separation distance should be maintained to the user's bodies

NOTE:

This equipment has been tested and found to comply with the limits for a Class B digital device, pursuant to Part 15 of the FCC Rules.

These limits are designed to provide reasonable protection against harmful interference in a residential installation. This equipment generates, uses and can radiate radio frequency energy and, if not installed and used in accordance with the instructions, may cause harmful interference to radio communications.

However, there is no guarantee that interference will not occur in a particular installation. If this equipment does cause harmful interference to radio or television reception, which can be determined by turning the equipment off and on, the user is encouraged to try to correct the interference by one or more of the following measures:

- Reorient or relocate the receiving antenna.
- Increase the separation between the equipment and receiver.
- Connect the equipment into an outlet on a circuit different from that to which the receiver is connected.
- Consult the dealer or an experienced radio/TV technician for help.

FCC ID: ZSHW6