

Figure 1: KD-923 Blood pressure monitor frequency diagram

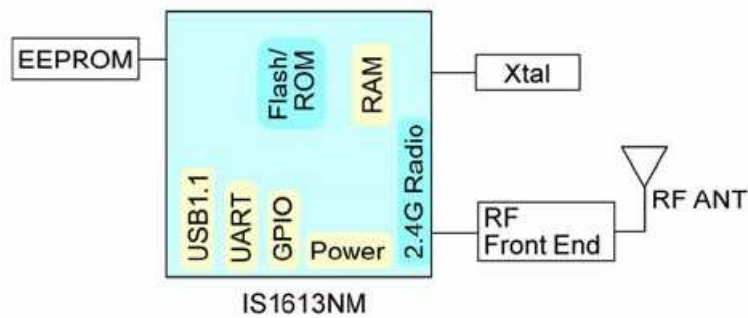


Figure 2: BM30SPP01 Bluetooth Module Diagram

Theory of operation : Collection of electronic blood pressure monitor blood pressure trough the manometer sensor signal into the A/D conversion , sent from the slave MCU operation , operation result is sent to the mastet MCU , and then tfansmitted via Bloodtooth.