



SOUNDBAR L200
2.0CH 3D Soundbar System
USER MANUAL



Thank you for purchasing the home theater L200 Soundbar. Please read this user manual carefully and keep for future reference.

Warning



Caution:

To reduce the risk of electric shock, do not dismantle the product and do not expose the apparatus to rain or moisture. No user-serviceable parts inside. Refer servicing to qualified personnel only



The lightning flash within an equilateral triangle is intended to alert you to the presence of uninsulated dangerous voltage within the product's enclosure that may be of sufficient magnitude to constitute an electric shock to a person or persons.



Important! This symbol alerts you to read and observe important warnings and instructions on the unit or in this manual.

Notice:

This appliance is not intended for use by persons (including children) with reduced physical sensory or mental capabilities, or lack of experience and knowledge, unless they have been given supervision or instruction concerning use of the appliance by a person responsible for their safety. Children should be supervised to ensure that they do not play with the appliance.

1. To prevent possible hearing damage, do not listen at high volume levels for long time periods or a sudden high volume level.
2. Never use the device unsupervised! Switch off the device whenever you are not using it, even if not using it only for a short while.
3. The appliance is not intended to be operated by means of an external timer or separate remote control system.
4. If the supply cord is damaged, it must be replaced by the manufacturer, its service agent or similarly qualified persons in order to avoid a hazard.
5. Before operating this system, check the voltage of this system to see if it is identical to the voltage of your local power supply.

6. The unit should not be impeded by covering the ventilation opening with items such as newspaper, table-cloths, curtains etc. Make sure that there are at least 20 cm of space above and at least 5 cm of space on each side of the unit.
7. The apparatus must not be exposed to dripping or splashing and that objects filled with liquids, such as vases, must not be placed on the apparatus.
8. To prevent fire or shock hazard, do not expose this equipment to direct heat, rain, moisture or dust.
9. Do not locate this unit near any water sources e.g. taps, bathtubs, washing machines or swimming pools. Ensure that you place the unit on a dry, stable surface.
10. Do not place this unit close to a strong magnetic field.
11. Do not place the unit on an amplifier or receiver.
12. Do not place this unit in a damp area as the moisture will affect the life of electric components.
13. Do not attempt to clean the unit with chemical solvents as this might damage the finish. Wipe with a clean, dry or slightly damp cloth.
14. When removing the power plug from the wall outlet, always pull directly on the plug, never pull on the cord.
15. Depending on the electromagnetic waves used by a television broadcast, if a TV is turned on near this unit while it is also on, lines might appear on the LED TV. Neither this unit nor the TV is malfunctioning. If you see such lines, keep this unit well away from the TV set.
16. The mains plug is used to disconnect the device, the disconnected device should remain readily operable.

Important Safety Instructions

1. Read these instructions. Keep these instructions. Follow all instructions. Heed all warnings.
2. Do not use this apparatus near water.
3. Clean only with dry cloth.
4. Do not block any ventilation openings. Install in accordance with the manufacturer's instructions.
5. Do not install near any heat sources such as radiators, heaters, stoves, or other apparatus (including amplifiers) that produce heat.
6. Do not defeat the safety purpose of the polarized or grounding-type plug. A polarized plug has two blades with one wider than the other.
7. Protect the power cord from being walked on or pinched particularly at plugs, convenience receptacles or at the point where they exit from the apparatus.
8. Only use attachments/accessories specified by the manufacturer.
9. Unplug this apparatus during lightning storms or when unused for long periods of time.

10. Refer all servicing to qualified service personal. Servicing is required when the apparatus has been damage in any way, for example, when the power-supply cord or plug is damaged, liquid has been spilled or objects have fallen into the apparatus, the apparatus has been exposed to rain or moisture, does not operate normally, or has been dropped.

11. The DC plug is used to disconnect the device, the disconnected device should remain readily operable. In order to disconnect the apparatus from the DC power completely, the DC plug must be removed from the AC outlet completely.

Preparation for Use

Unpacking and Set Up

- Remove the Sound bar from the carton and remove all packing material from the Sound bar. Save the packing material, if possible, in case the Sound bar ever needs to be serviced or transported. The original carton and packing material is the only safe way to pack your Sound bar to protect it from damage in transit.

- Remove any descriptive labels or stickers on the front or top of the cabinet. Do not remove any labels or stickers from the back or bottom of the cabinet.

- Place your Sound bar on a level surface such as a table, desk or shelf, convenient to an AC outlet, out of direct sunlight, and away from sources of excess heat, dirt, dust, moisture, humidity, or vibration.

- Unwind the Line cord connecting the AC adapter and extend it to its full length.

Protect Your Furniture

This model is equipped with non-skid rubber 'feet' to prevent the product from moving when you operate the controls. These 'feet' are made from non-migrating rubber material specially formulated to avoid leaving any marks or stains on your furniture. However certain types of oil based furniture polishes, wood preservatives, or cleaning sprays may cause the rubber 'feet' to soften, and leave marks or a rubber residue on the furniture. To prevent any damage to your furniture we strongly recommend that you purchase small self-adhesive felt pads, available at hardware stores and home improvement center everywhere, and apply these pads to the bottom of the rubber 'feet' before you place the unit.

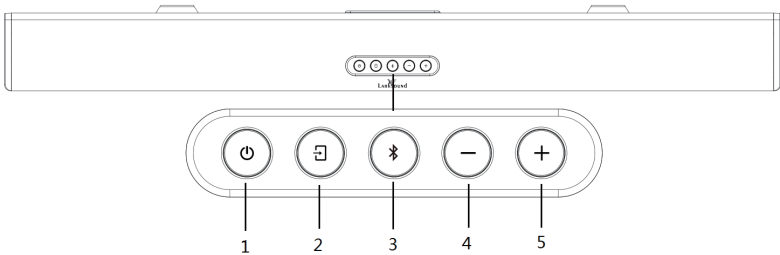
Power Source

This sound bar is designed to operate on normal DC Power source, it works only under SMPS 110V-240V ~50hz/60Hz. Do not attempt to operate the Sound bar on any other power source. You could cause damage to the Sound bar that is not covered by your warranty.

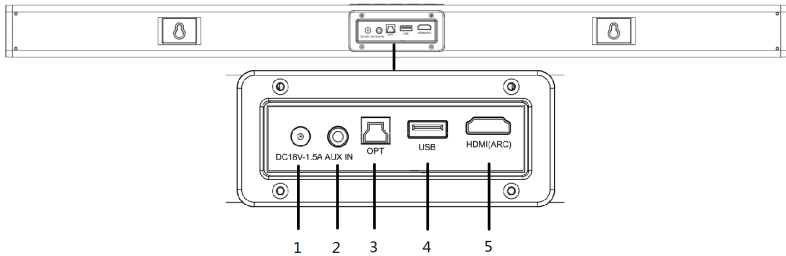
Important Notes

- This sound bar was especially developed for LED/LCD/Plasma TV's: It should not be used in combination with CRTTV's (Cathode Ray Tube TV's) in order to avoid image interference.
- Safety and operating instruction manual should be retained for future reference.
- The apparatus should not be exposed to dripping, splashing or placed in a humid atmosphere such as a bathroom.
- Do not install the product in the following areas:
 - Places exposed to direct sunlight or close to radiators.
 - On top of other stereo equipment that radiate too much heat -Blocking ventilation or in a dusty area.
 - Areas where there is constant vibration.
 - Humid or moist places.
 - Do not place near candles or other flames.
- Operate the product only as instructed in this manual.
- Before turning on the power for the first time, make sure the sound bar is plugged to power outlet.
- For safety reasons, do not remove any covers or attempt to gain access to the inside of the product. Refer any servicing to qualified personnel.
- Do not attempt to remove any screws, or open the casing of the unit; there are no user serviceable parts inside. Refer all servicing to qualified service personnel.

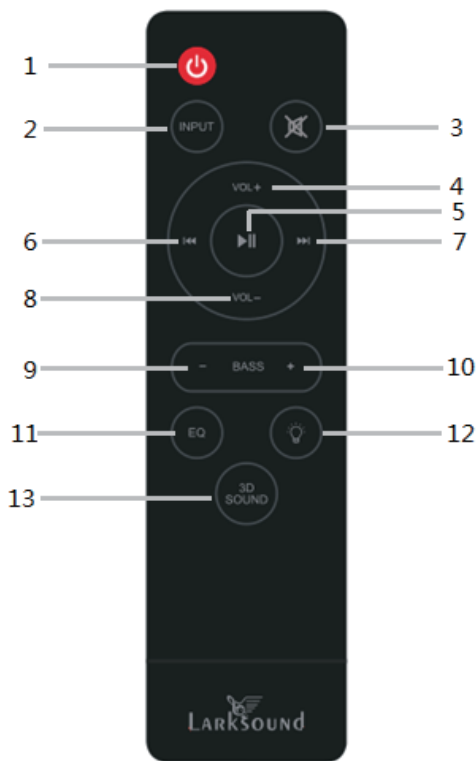
Product Diagram



- 1.Standby: standby mode for power ON or OFF;
- 2.Input: choose input mode(HDMI ARC/OPT/AUX/USB/BT)
- 3.Bluetooth: short press for Play/Pause (Only work under USB & BT mode of smartphone), long press for connect/unconnected device;
- 4.VOL-: master volumn down
- 5.VOL+: master volumn up



- 1.DC IN
- 2.AUX IN
- 3.Optical
- 4.USB
- 5.HDMI(ARC)



1. Standby mode for power on/off.
2. INPUT: input mode(AUX/USB/HDMI ARC/OPT/BT)
3. MUTE: mute/unmute the soundbar
4. VOL+: master volumn up
5. Play/Pause (Only work under USB & BT mode of smartphone).
6. Pre button: Previous program (Only work under USB & BT mode of smartphone).
7. Next button: Next program. (Only work under USB & BT mode of smartphone).
8. VOL-: master volumn down
9. BASS-: To decrease the bass.
10. BASS+: to increase the bass.
11. EQ: select EQ mode (Movie/Music/ Dialogue /
12. Dimmer: total have 3 levels, low, middle, and high;
13. 3D Sound: select the 3D sound effect.

PACKAGE CONTENTS



Soundbar (1)



Remote Control(1)



HDMI(ARC) cable(1x4.92ft)



Optical cable(1x4.92ft)



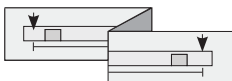
AUX cable(1x4.92ft)



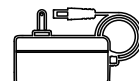
Screw bag(1)



User Manual(1)



Wall Mount Template

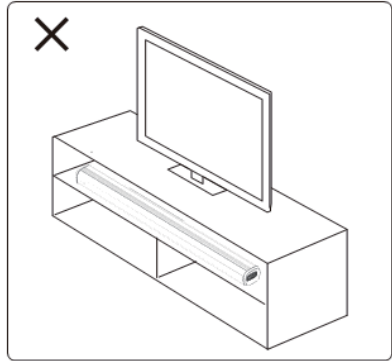
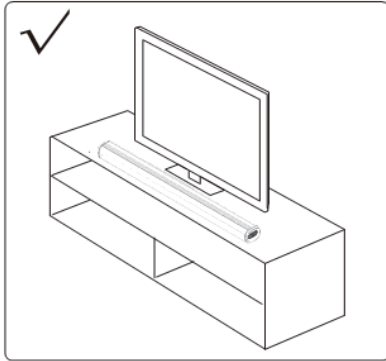


Power Adapter

Positioning the Sound Bar

Place on a flat Surface

Place the sound bar horizontally on a flat surface such as a TV unit or shelves and align it centrally with the TV screen. Allow some space between the speaker and the wall. Don't place inside a cabinet or on a walled shelf. Follow this guidance for best sound output and good airflow around the sound bar.



Mount on the wall

WARNING: If you don't feel confident to correctly and securely wall-mount the sound bar, seek the assistance of an experienced person or professional.

Insert the two wall-mount screws into the wall, refer to wall mounting template we supplied in package for the distance.

Install the speaker on a vertical, fast, reinforced area of wall. For plaster walls, it is recommended to screw into wall studs for greater security. For optimum performance, allow at least 30mm distance between the sound bar and the TV.

Follow below steps to mount the sound bar on the wall

1. Make 2 holes on the wall with distance same as the wall bracket on the soundbar, refer to wall mounting template to make it correct easily.
2. Put the plastic anchors onto the wall and secure the screws to the plastic clip, do not tighten the screws all the way make sure leave some space.
3. Once the screws securely fastened, hang the sound bar over by inserting the screws onto the wall mount bracket.

OPERATE INSTRUCTIONS

Setting the Soundbar

- 1: Plug in the power cord and the display will light up (Standby mode).
- 2: Switch on the soundbar by using power button on soundbar or by using STANDBY button on remote. After switching on, the default input mode will appear on display.
- 3: Input mode can be changed by pressing the power button again or by using the INPUT button on remote.

LED Indicators

Display screen: BT/OP/HD/US/AU/MV/MS/DL/3D/volumn value display

BT: Blue Tooth mode

OP: Optical mode

HD: HDMI ARC mode

US: USB mode

AU :AUX IN mode

E0:Normal EQ

E1:News EQ

E2:Music EQ

E3: Movie EQ

3d:3D Sound effect

Powering On/Off

1. Plug the sound bar into a wall outlet, it will automatically turn on device.
2. To turn off, press the power button on remote control then unplug from wall outlet.

Playing Audio via BT Connection

1. Turn on sound bar and then short-press the INPUT button to switch to BT mode.
2. Activate the pairing function on your phone of other compatible device and select "Lark L200".
3. When successfully paired, the LED display will stay on "BT".
4. The remote control includes BT mode playback controls.

Notes:

- If your Pairing device switched off or manual disconnected, the sound bar will automatically enter pairing mode.
- If the connected device is switched off or manual disconnected, the sound bar will automatically enter pairing mode, successfully connected device will be re-established once you re-enter wireless range(10 meters). To connect to other devices, repeat the above pairing steps.
- Press BT button on device 3 seconds to shutdown in pairing mode, and 3 seconds again to turn on pairing mode.

AUX mode

1. Connect the sound bar to your PC, tablet, smart phone, TV or other device using 3.5mm audio cable, short-press the INPUT button to switch to AUX input mode.
2. In this mode, playback can only be controlled on your connected device.

Playing Audio via USB Port

The sound bar automatically switches to USB input mode with the LED display(US)when a USB flash drive is inserted (this mode isn't selectable on the sound bar or remote control unless a USB flash drive is connected).

1. Ensure that your USB flash drive contains MP3 or WMA audio files (other file types not supported).
2. Connect the USB flash drive to the USB port on the sound bar (or your own USB extension cable connected to the USB port); music will automatically play.
3. The remote control includes USB input mode playback controls.

Optical Mode

You can connect digital amplifiers or TV with an optical digital output to the sound bar via optical cable.

The output device must have an optical digital output. Use the optical cable supplied to make the connection.

Proceed as follows:

- Connect the optical cable to the optical digital output of your output device.
- Then connect the optical cable to the optical digital input of your soundbar.
- Press the INPUT button on the remote control to select OPTICAL mode.
- Start playing on the output device.
- You can use the volume buttons to adjust the volume to your requirements.
- If you wish, you can change the audio settings using the relevant buttons on the remote control.
- If no sound output, you can switch the output device to PCM mode.

HDMI Mode

1. The Soundbar supports HDMI with Audio Return Channel(ARC). If your TV is HDMI(ARC) compliant, you can hear the TV audio through your Soundbar by using a single HDMI cable.
2. Using a High Speed HDMI cable, connect the HDMI(ARC) connector on the soundbar to the HDMI (ARC) connector on the TV. The HDMI(ARC) connector on the TV might be labelled differently. For details, see the TV user manual.

Specifications

Model	L200
Technology	BT/AUX/HDMI(ARC)/OPTICAL/USB
Audio Output Power	30W R.M.S.
Frequency Response	60Hz-20KHz
Power Input	110V-240V~50Hz/60Hz
Bluetooth Version	Version: 5.0 Range: up to 10m
Bluetooth Frequency	2402MHz - 2480MHz
Dimensions	Soundbar: 35.4*2.36*3.54 inch Subwoofer: 15.75*3.54*11.81 inch

Truble Shooting

Issues	Problems	Solutions
Sound	No sound from SoundBar speakers	Connect the audio cable from your soundbar to your TV or other devices. However, you do not need a separate audio connection when the Soundbar and TV are connected through HDMI ARC connection On the remote control, select the correct audio input.
	Distorted sound or echo	If you play audio from the TV through the soundbar, make sure that the TV is muted.
Bluetooth	A device cannot connect with the SoundBar	Restart the soundbar and try pairing again
		You have not enabled the bluetooth function of the device. See the user manual of the device on how to enable the function.
		The device is not correctly connected.
		The soundbar is already connected with another bluetooth device. Disconnect the connected device, then try again.
	Quality of audio play from a connected Bluetooth device is poor.	The bluetooth reception is poor. Move the device closer to the soundbar, or remove any obstacle between the device and the soundbar.
The connected Bluetooth device connects and disconnects constantly	The bluetooth reception is poor. Move the device closer to the soundbar, or remove any obstacle between the device and the soundbar.	

Remark: Once additional information needed, please kindly contact support@larksound.com we will support you in shortest time.

FCC Compliance

NOTE: This equipment has been tested and found to comply with the limits for a Class B digital device, pursuant to part 15 of the FCC Rules. These limits are designed to provide reasonable protection against harmful interference in a residential installation. This equipment generates uses and can radiate radio frequency energy and, if not installed and used in accordance with the instructions, may cause harmful interference to radio communications. However, there is no guarantee that interference will not occur in a particular installation. If this equipment does cause harmful interference to radio or television reception, which can be determined by turning the equipment off and on, the user is encouraged to try to correct the interference by one or more of the following measures:

- Reorient or relocate the receiving antenna.
- Increase the separation between the equipment and receiver.
- Connect the equipment into an outlet on a circuit different from that to which the receiver is connected.
- Consult the dealer or an experienced radio/TV technician for help

Changes or modifications not expressly approved by the party responsible for compliance could void the user's authority to operate the equipment.

This device complies with Part 15 of the FCC Rules. Operation is subject to the following two conditions:

- (1) this device may not cause harmful interference, and
- (2) this device must accept any interference received, including interference that may cause undesired operation.

This equipment complies with FCC radiation exposure limits set forth for an uncontrolled environment. This equipment should be installed and operated with minimum distance 20cm between the radiator & your body.



HDMI, HDMI High - Definition Multimedia Interface, and the HDMI Logo are trademarks or registered trademarks of HDMI Licensing LLC



WEEE Compliance

Correct Disposal of This Product (Waste Electrical & Electronic Equipment)
(Applicable in countries with separate collection systems)

This marking on the product, accessories or literature indicates that the product and its electronic accessories should not be disposed of with other household waste at the end of their working life. To prevent possible harm to the environment or human health from uncontrolled waste disposal, please separate these items from other types of waste and recycle them responsibly to promote the sustainable reuse of material resources. Household users should contact either the retailer where they purchased this product, or their local government office, for details of where and how they can take these items for environmentally safe recycling. Business users should contact their supplier and check the terms and conditions of the purchase contract. This product and its electronic accessories should not be mixed with other commercial wastes for disposal.