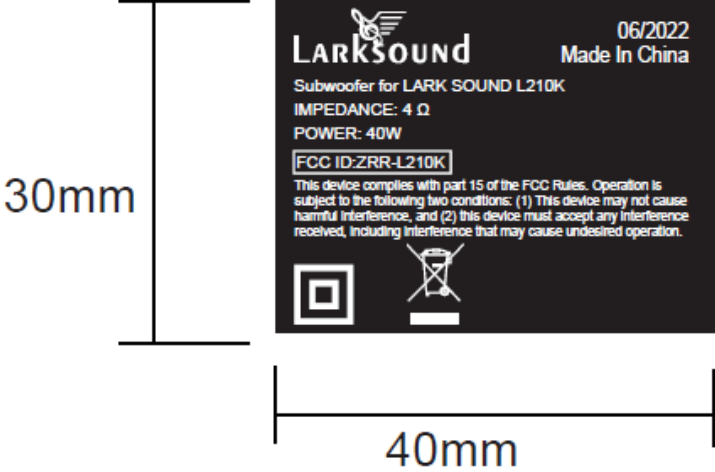


# Appendix I FCC ID Label



## Appendix II ID Label Location

### ID LOCATION

