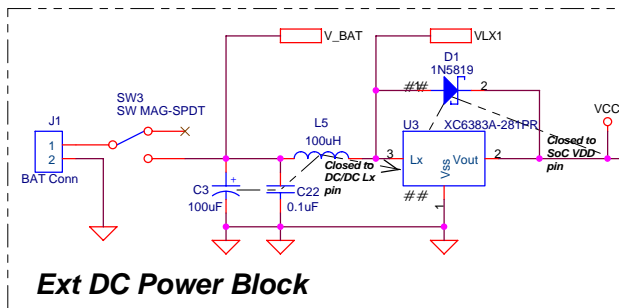


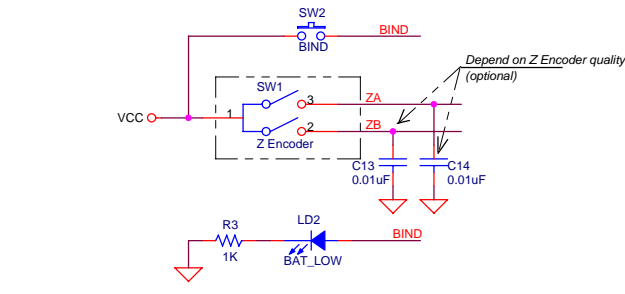
Laser Sensor



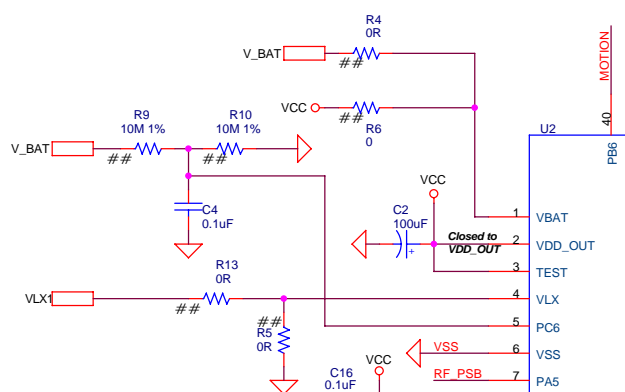
Ext DC Power Block

Power Straps Option (##)

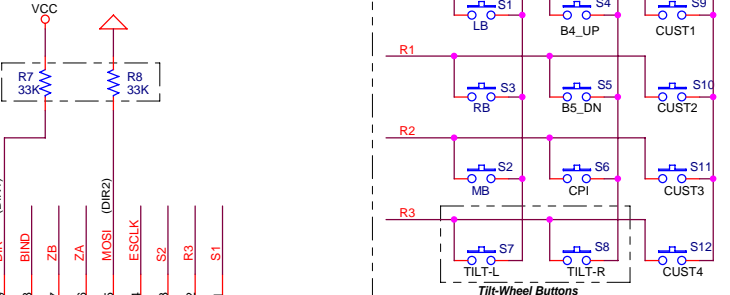
Power Type	Mount	Not Mount
Ext. DC 2CELL	R5, R6, R9, R10, U3, D1	R4, R13
Ext. DC 1CELL	R5, R6, R9, U3, D1	R4, R10, R13
INT. DC 2CELL	R4, R9, R10, R13	R5, R6, U3, D1



Sensor Orientation	R7 (DIR1)	R8 (DIR2)
0 degree	Not Mount	Not Mount
90 degree	Mount	Not Mount
180 degree	Not Mount	Mount
270 degree	Mount	Mount

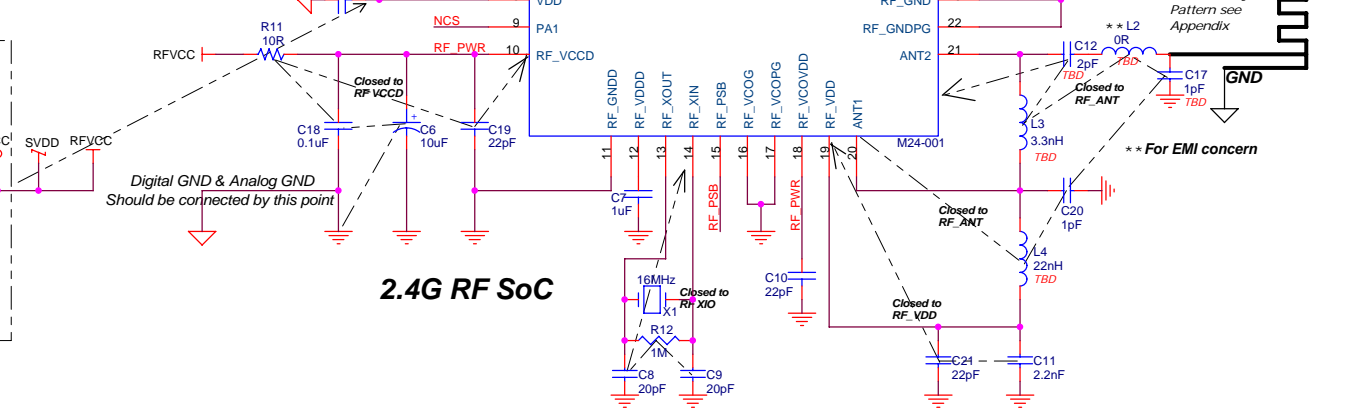


2.4G RF SoC



Keypad

Tilt-Wheel Buttons



Ant. 2405-2476MHz

PCB ANT

ANT PCB Layout Pattern see Appendix
** For EMI concern

C8 and C9 depend on X1 Crystal Spec

SunplusIT			
Title 2.4GHz 2way RF SoC Laser Mouse Solution (DC optional)			
ENG. AP:	Drawn: Y.C. Chen	Check By: D.C.	
Size B	2.4GHZ-2W-ISS-MSE-M24-001-A7530-TX-A-TECH		Rev A1
Date: Friday, May 01, 2009	Document Number	Sheet 1 of 1	