

FM8898 WIRELESS STEREO HEADPHONES

USER MANUAL



Introduction

Thank you for buying our Wireless stereo headphones! This manual will help you install it properly.

Features

- Wireless headphones with microphone built-in into the receiver
- High-quality sound within up to 100 meters distance
- The latest UHF/RF wireless technology
- Several headphones can be used simultaneously with one transmitter

Specifications

- * System: UHF/RF
- * Carrier frequency: 915.5, 916, 916.5 MHz
- * Sound: stereo
- * Transmit power: < 10 mW
- * S/N ratio: ≥ 55 dB
- * Channel separation: ≥ 35 dB
- * Distortion: $\leq 1\%$
- * Operation distance: up to 100 m in the open air
- * Frequency response: 25 Hz - 20,000 Hz
- * Microphone: built-in into the transmitter, working distance at least 3 m
- * Transmitter power supply: 5V DC, 200 mA
- * Headphones power supply: 2 pcs x AAA battery

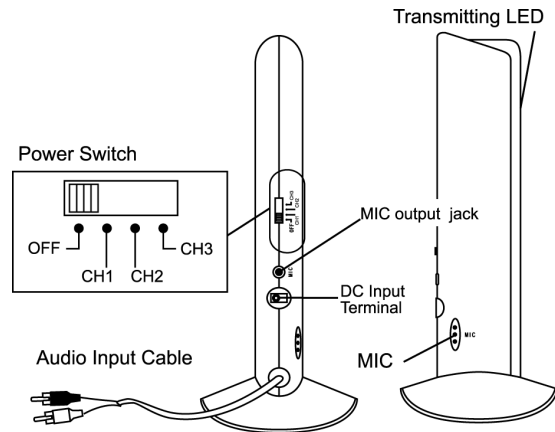
Package contents

- Wireless headphones
- Signal transmitter
- AC-DC power adaptor
- Stereo audio cable 2xRCA female to 3.5 mm audio socket, 0.6 m
- Stereo audio cable male to 3.5mm connector, 1.0m
- Stereo audio input cable, 1.0m
- User manual

Installing the Transmitter

Insert the external power adaptor into the DC Input Terminal socket on the rear panel of the transmitter.

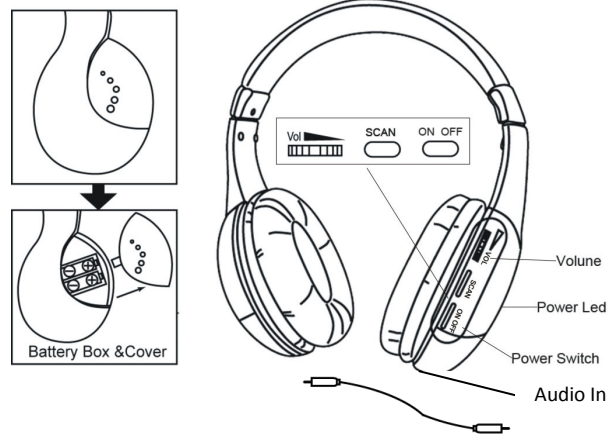
Then insert the audio cable of transmitter into the AUDIO-OUT socket of any audio source (such as TV, PC, DVD, CD,MP3...)



Using Stereo Headphone

Two batteries (AAA/1.5V) must be placed into the battery box of the receiver(Headphone), ensuring that the positive and negative terminals of the batteries are inserted correctly.

The headphone could receive sound signal from the transmitter or other audio device via the audio cable packaged together.



Wireless headphones

- Insert audio cable of the transmitter into the AUDIO-OUT socket of the electrical device, and move the function switch of the transmitter to CH1/CH2/CH3 position accordingly.
- Turn on the power switch (ON/OFF) on receiver, the power indicator of receiver will go on. the sound sent from transmitter should be heard. If the sound is poor, you can press the SCAN button to select the right channel.

Turning Off the Unit

When the unit is not in use, set the function switch of the transmitter to OFF position, then turn the power switch of the headphone to OFF position. The power indicator of the transmitter and headphone will then go off. When the unit is not used for a long time, take out the batteries.

Special features

- Double PLL and MCU System

Not only transmitter but also the wireless headphone is equipped with a Phase Lock Loop (PLL) and Micro Computer system providing the ultimate in transmission and reception frequency stability

- Active Noise Reduction Technology

We can listen to more clear sound with analogue FM wireless headphone by virtually eliminating the background "hissing" noise that is sometimes noticeable during silent pauses and quiet passages.

- Auto Tuning for Headphone

The headphone will automatically tune to the transmitter by turn on the power of the headphone of the headphone.

FCC warning

This device complies with Part 15 of the FCC Rules. Operation is subject to the following two conditions: (1) This device may not cause harmful interference, and (2) this device must accept any interference received, including interference that may cause undesired operation.

This equipment has been tested and found to comply with the limits for a Class B digital device, pursuant to Part 15 of the FCC Rules. These limits are designed to provide reasonable protection against harmful interference in a residential installation. This equipment generates uses and can radiate radio frequency energy and, if not installed and used in accordance with the instructions, may cause harmful interference to radio communications. However, there is no guarantee that interference will not occur in a particular installation. If this equipment does cause harmful interference to radio or television reception, which can be determined by turning the equipment off and on, the user is encouraged to try to correct the interference by one of the following measures:

- - Reorient or relocate the receiving antenna.
- - Increase the separation between the equipment and receiver.
- - Connect the equipment into an outlet on a circuit different from that

- to which the receiver is connected.
- - Consult the dealer or an experienced radio/TV technician for help.

Any changes or modifications not expressly approved by the party responsible for compliance could void the user's authority to operate this equipment.