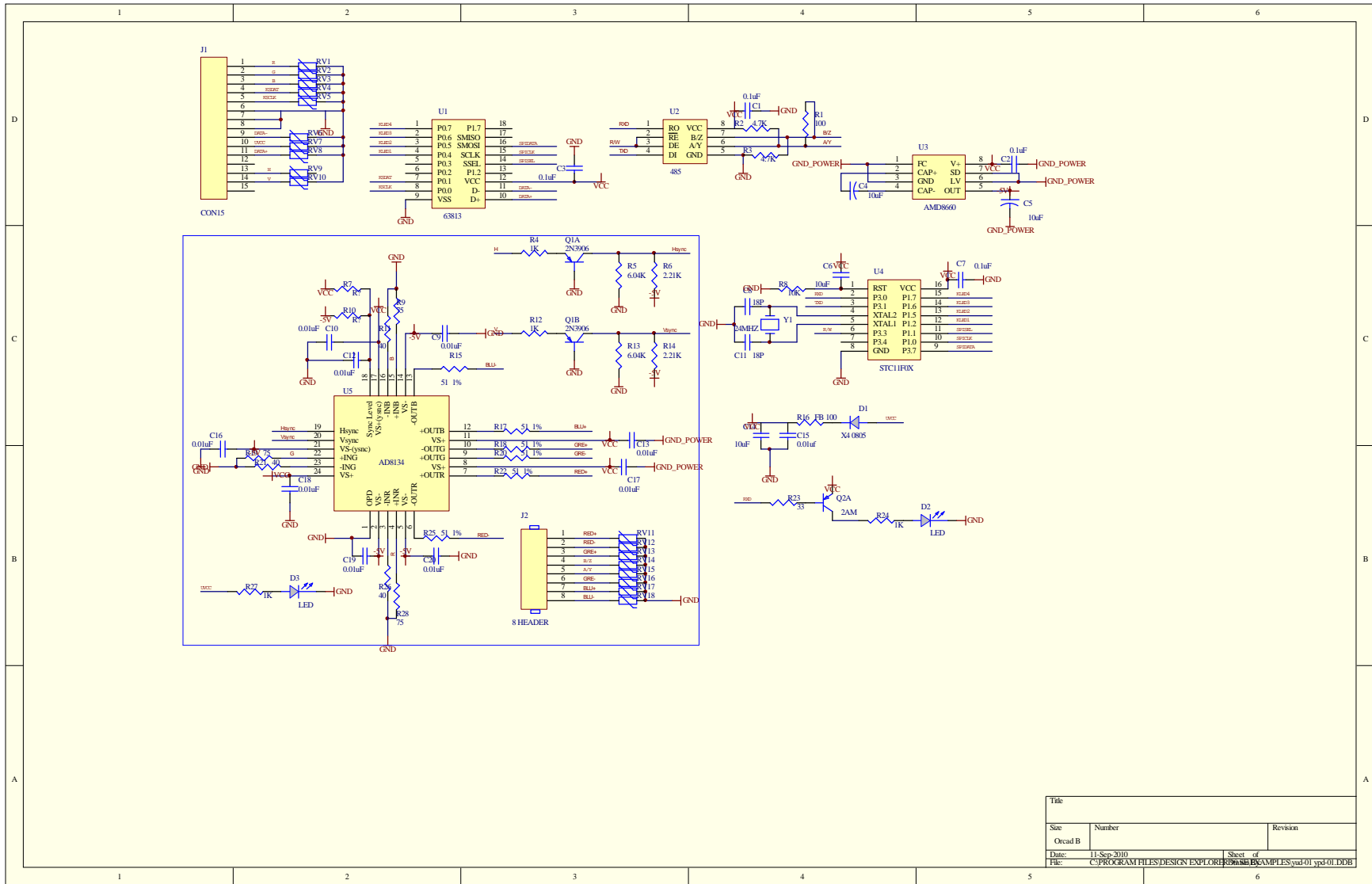


Doc	Doc Number	Rev
C		7
Date	Fri, 25 March 2011	Page 1 of 1



Title		
Size	Number	Revision
Orcad B		
Date:	11-Sep-2010	Sheet of
File:	C:\PROGRAM FILES\DESIGN EXPLORER\EXAMPLES\yml-01.ypl-01.DDB	