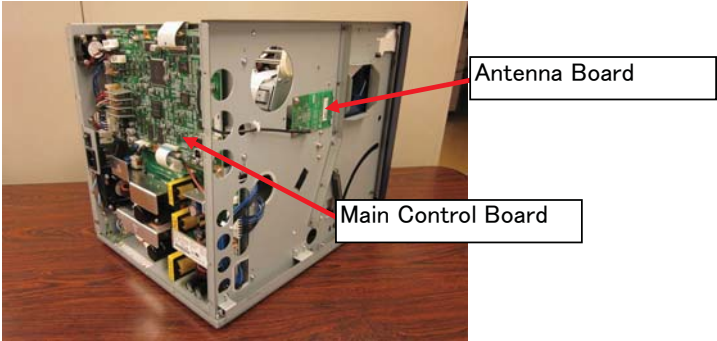
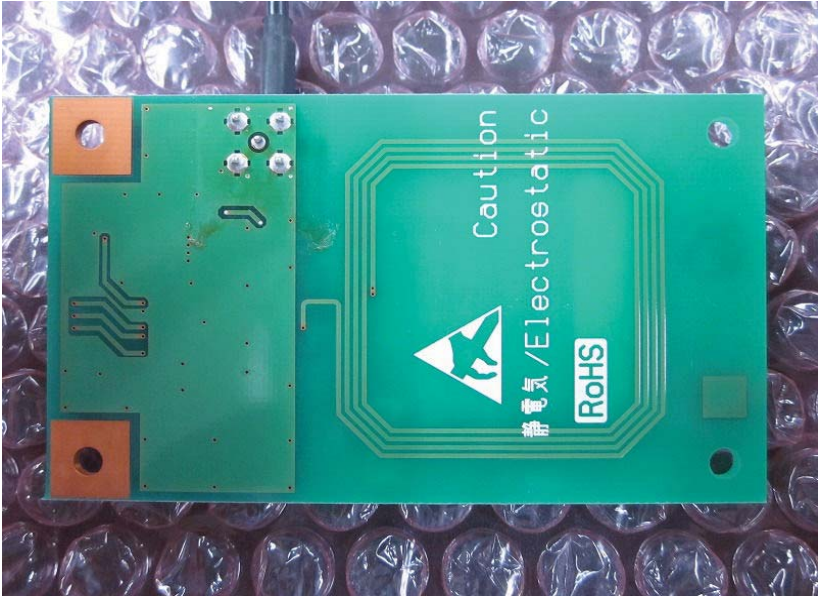


CHC-S2145-5 Product Photo (inside 1of4)

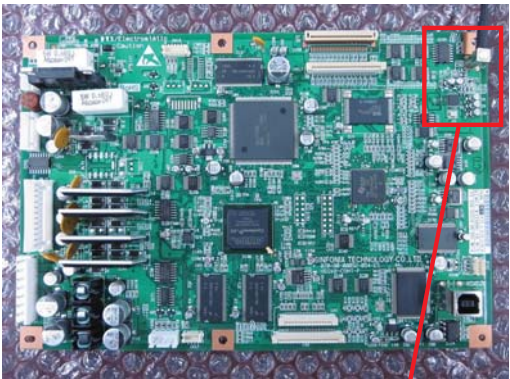


Antenna Board (Bottom side)

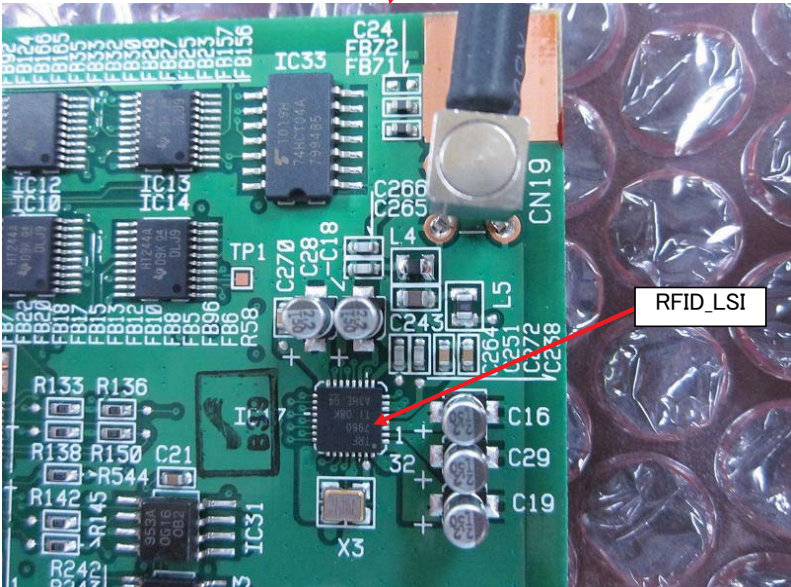


Antenna Board (Top side)

CHC-S2145-5 Product Photo (inside 2of4)

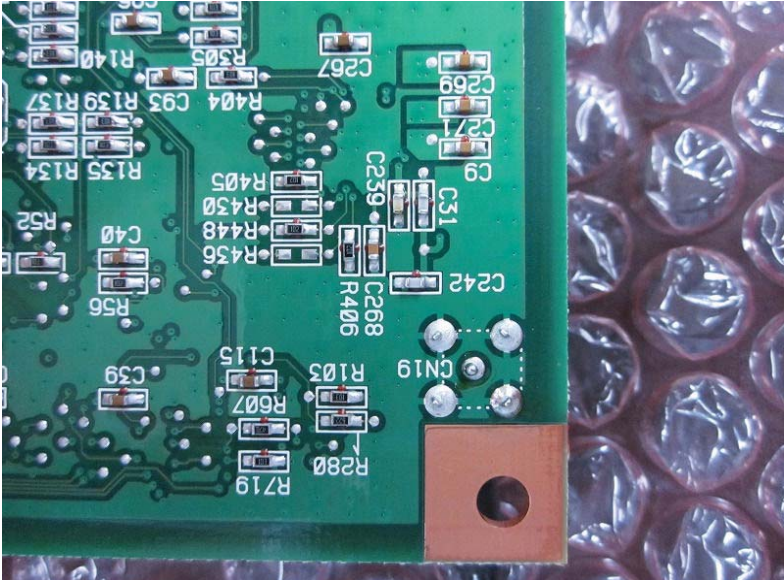


Main Control Board



RFID_LSI

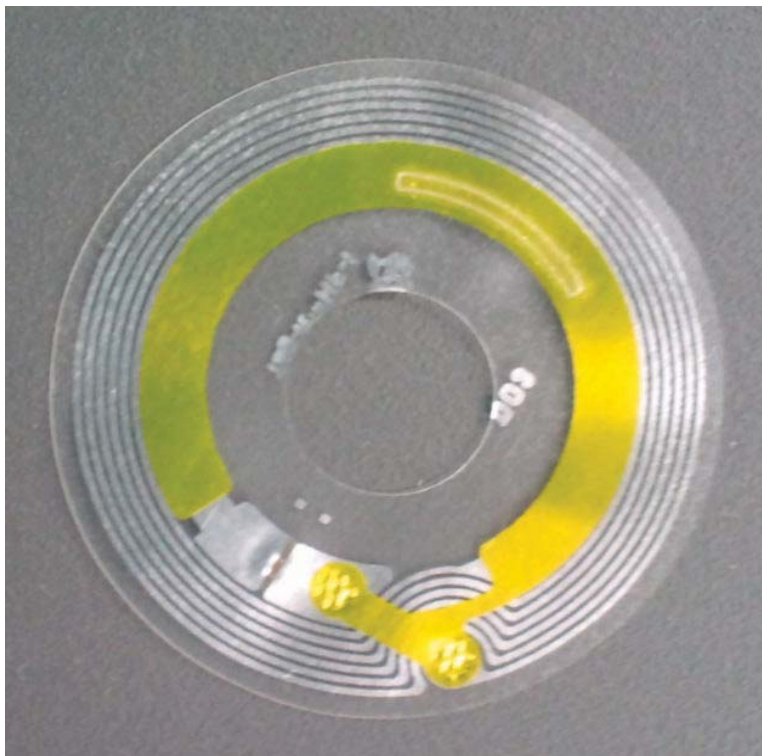
Radio Unit (Top side)



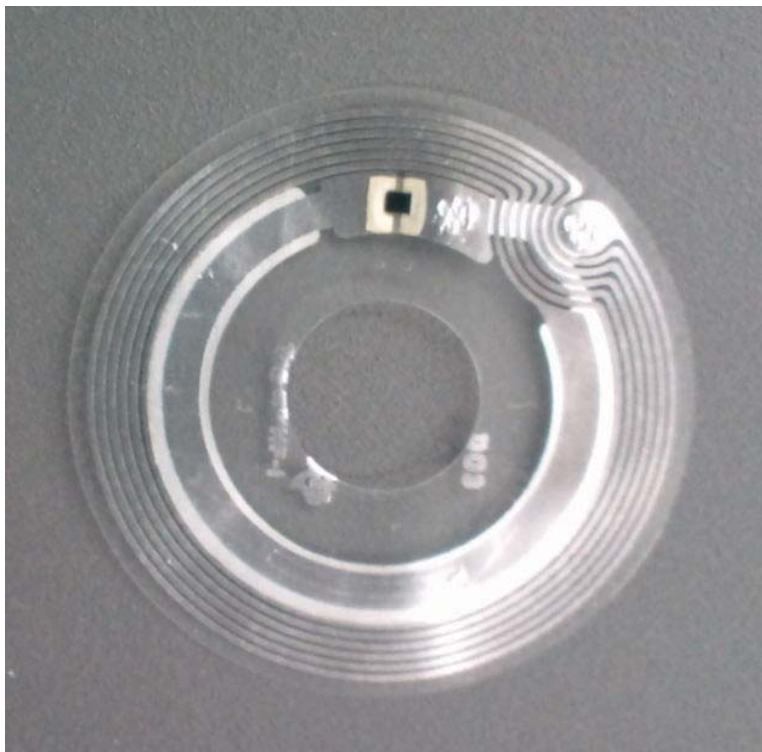
Radio Unit (Bottom side)

CHC-S2145-5 Product Photo (inside 3of4)

IC_Tag is installed in the core of Ink Ribbon, and this IC_Tag is used for Test.

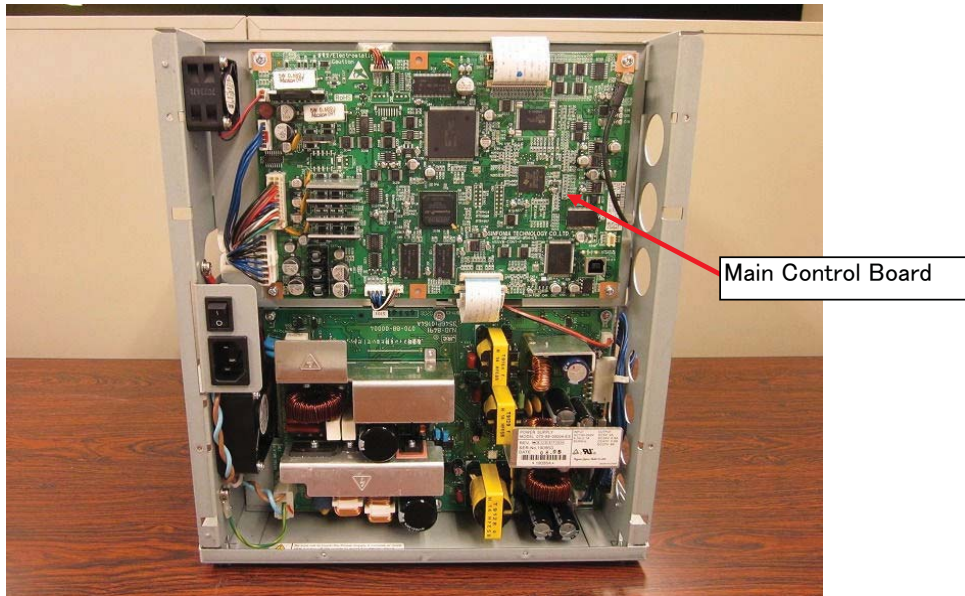
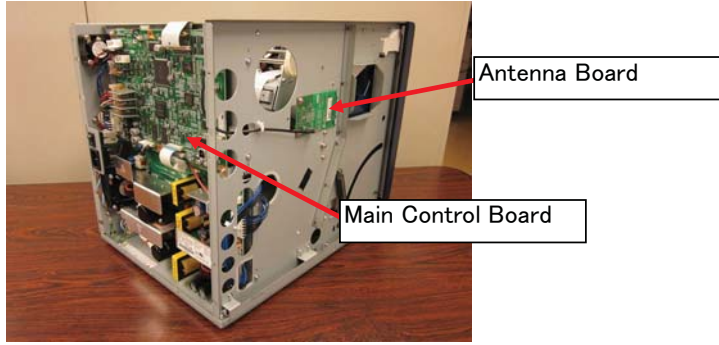


IC_Tag(Front side)

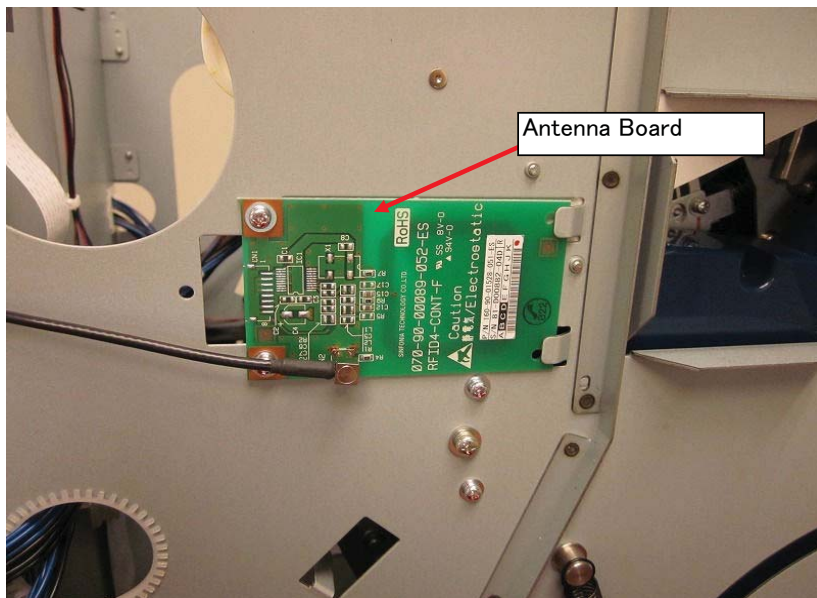


IC_Tag(Rear side)

CHC-S2145-5 Product Photo (inside 4of4)



Mounting position (Main Control Board)



Mounting position (Antenna Board)