

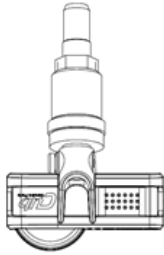
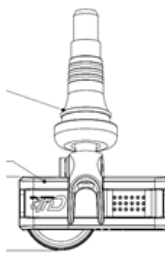
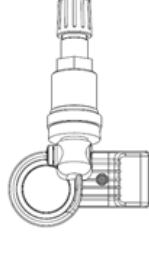
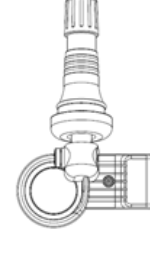


No.6, Lane 546, Sec.6, Changlu Road, Fuhsin Township Changhua County, Taiwan

## Declaration of Model Differences Letter

- ◆Applicant: CUB ELECPARTS INC.
- ◆Product name: TPMS Sensor
- ◆Brand: Cub
- ◆Model: VS-62U005
  - Series model(1): VS-62U006
  - Series model(2): VS-62U007
  - Series model(3): VS-62U008

The device differs in shape of the valve and the enclosure.  
Other circuit board layout, component models are exactly the same.

Model	<b>VS-62U005</b>	VS-62U006	VS-62U007	VS-62U008
Valve	Metal	Rubber	Metal	Rubber
PCB	All the same			
Shape				

The difference between them impose no deviation in their RF aspect,  
and hence, there applies no change to RF test results

Signature :



YU, SAN-CHUAN / C.E.O./President

CUB ELECPARTS INC

Address: No.6, Lane 546, Sec.6, Changlu Road, Fuhsin Township Changhua County,  
Taiwan