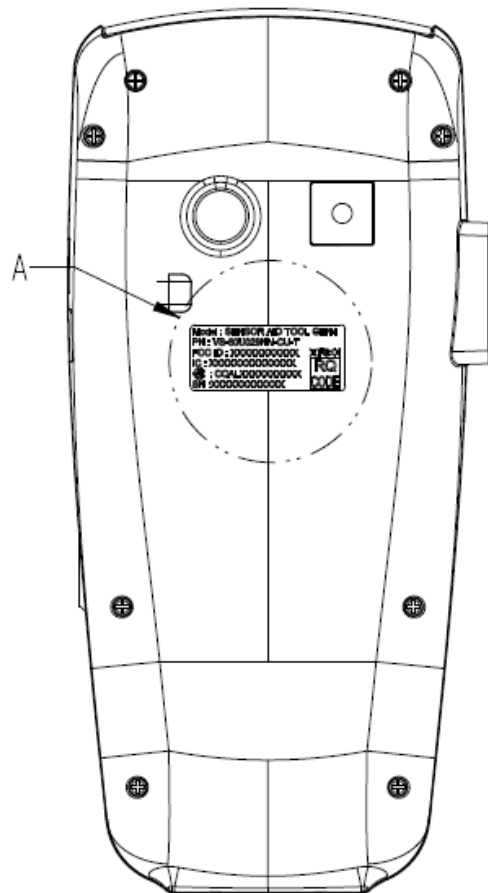


FCC ID & IC LABEL FORMAT AND LOCATION

Applicant: CUB ELECPARTS INC.

FCC ID: ZPNVS60U029

IC: 9959A-VS60U029



Model : Sensor AID DUO TPMS TOOL
PN : VS-60U029
FCC ID : ZPNVS60U029
IC : 9959A-VS60U029
Logo : CCALXX
SN : XXXXXXXXXXXX

IFCCE
RQ
CODE