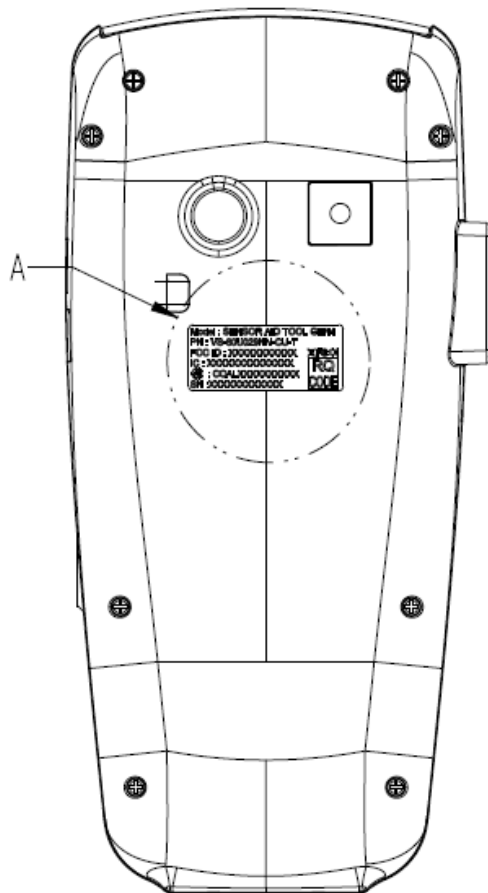





FCC ID & IC LABEL FORMAT AND LOCATION

Applicant: CUB ELECPARTS INC.

FCC ID: ZPNVS60U029

IC: 9959A-VS60U029



Model : Sensor AID DUO TPMS TOOL	
PN : VS-60U029	
FCC ID : ZPNVS60U029	
IC : 9959A-VS60U029	
 : CCALXX-XXXXXXX	
SN : XXXXXXXXXXXXX	