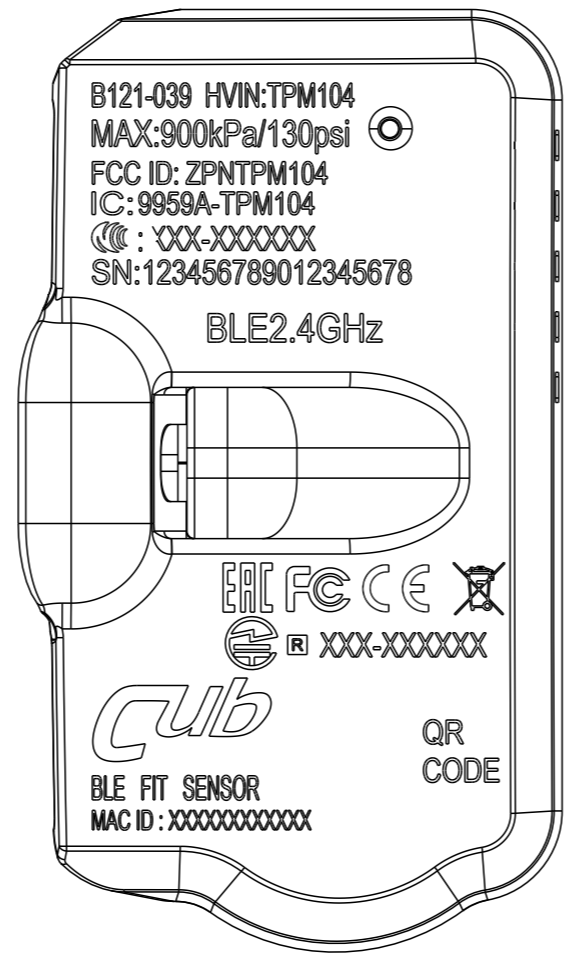


THIS DRAWING AND IT'S RELATED TECHNICAL INFORMATION ARE THE PROPERTY OF CUB ELECPARTS INC. THEY SHALL NOT BE DISCLOSED, IN WHOLE OR IN PART, TO ANY THIRD PARTY WITHOUT PRIOR PERMISSION OF CUB ELECPARTS INC.

REV	ZONE	EC NO.	DESCRIPTION	ENGR	DATE



SYMBOL	DESCRIPTION	NO. OF	DIMENSION TOLERANCE RANGE			ANGLE TOLERANCE RANGE			PROJECTION METHOD		PART NO.	ORIGINAL MODEL
			LEVEL	V		LEVEL	V		UNIT	SCALE		
CC	CRITICAL CHARACTER	0	SIZE	1	2	SIZE	1	2				mm
SC	SIGNIFICANT CHARACTER	0	<1	±10%	±20%	<5°	±1°	±2°				
TD	USING SPECIFIC TOOL FOR INSPECTION	0	≥1~10	±0.1	±0.2	≥5°	±2°	±4°	APPROVED			WEIGHT
#	IMPORTANT DIMENSION	0	≥10~40	±0.2	±0.4				CHECKED			g±5%
			≥40~100	±0.3	±0.5				DESIGNED			NAME
			≥100	±0.4	±0.8							BLE FIT SENSOR
												VER
												AI
												SIZE
												A3
												SHT
												1/1