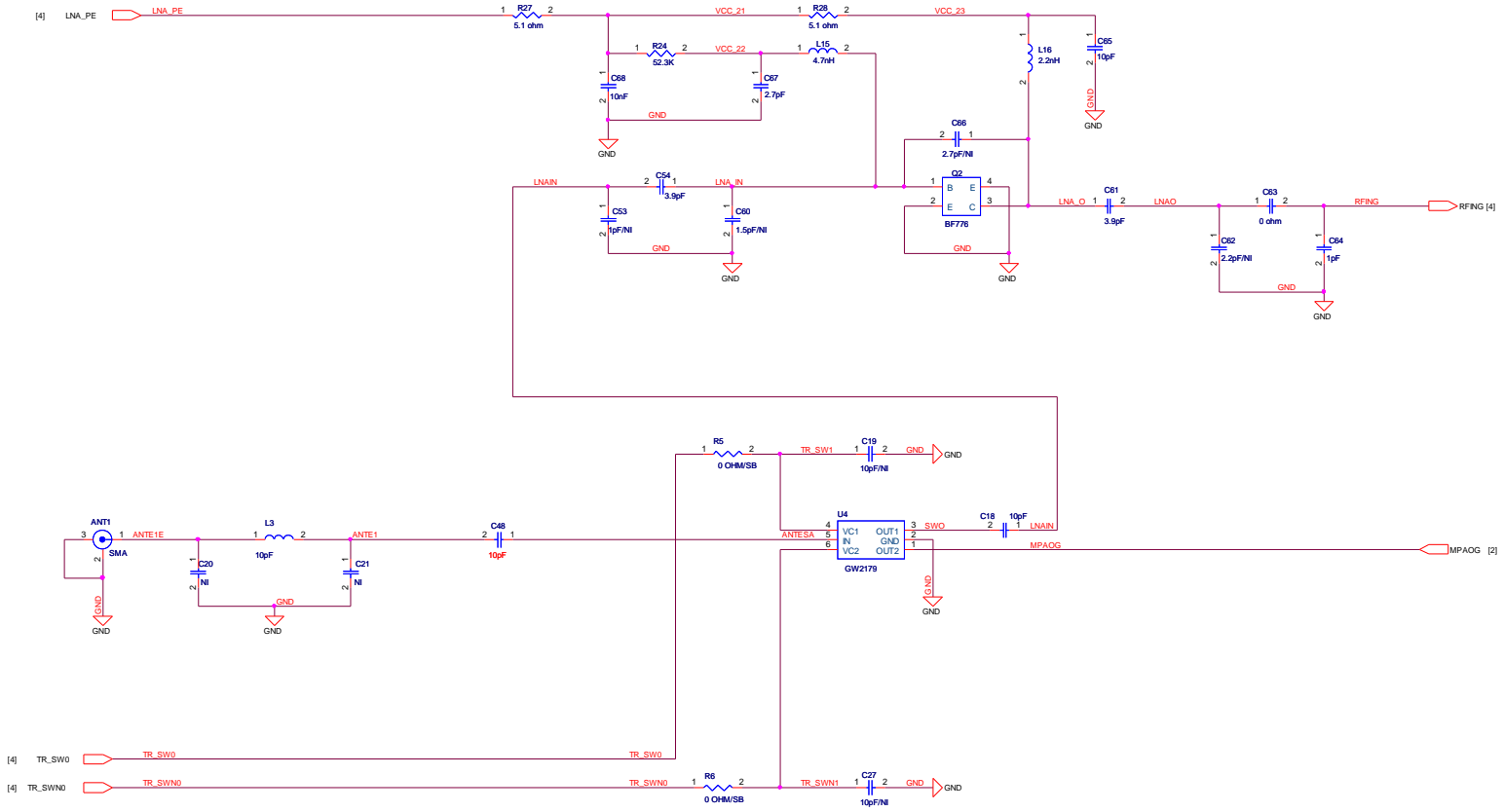

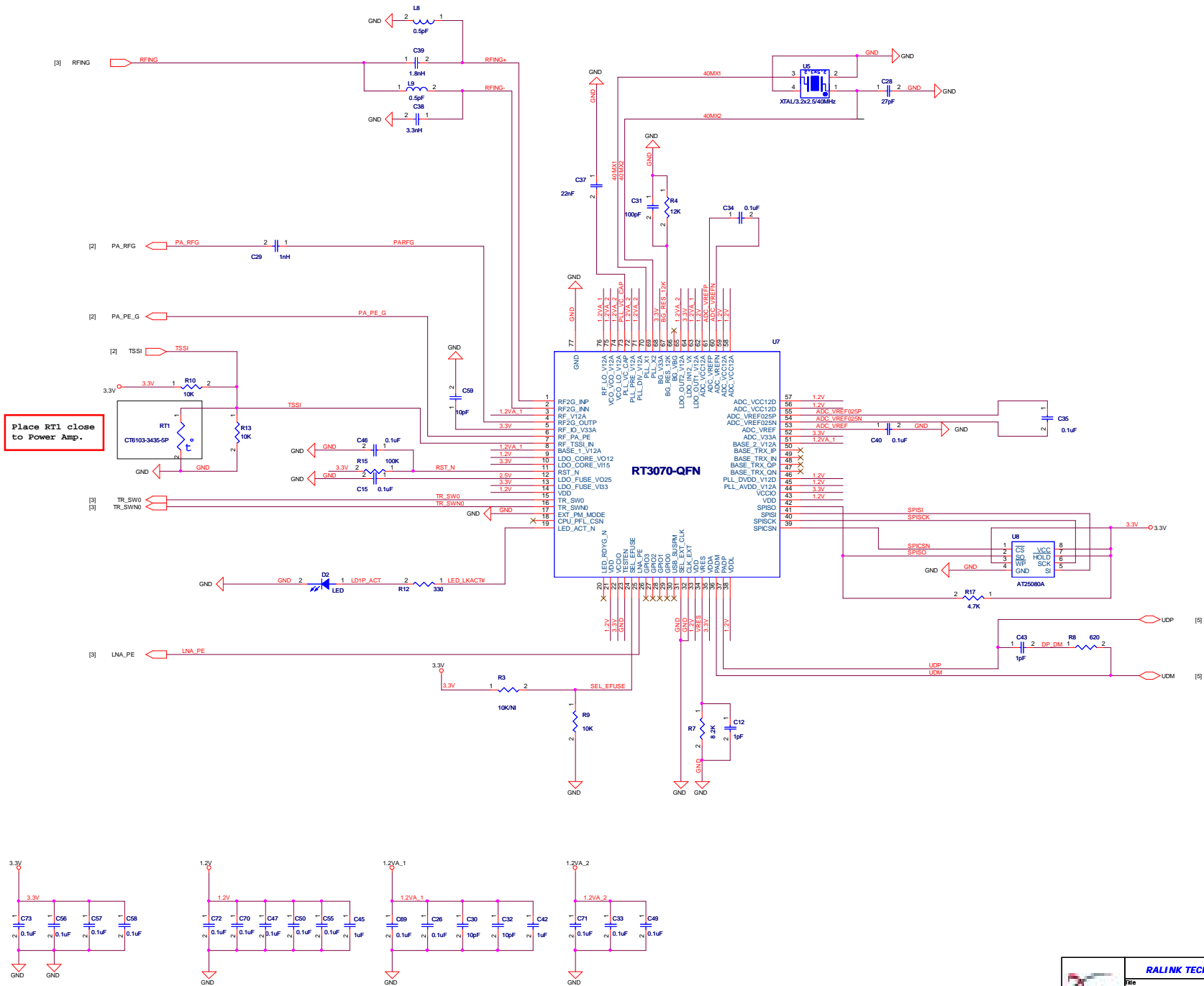
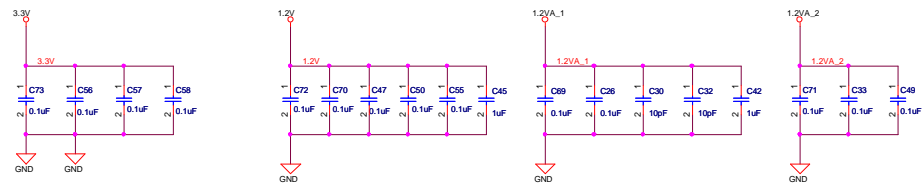
		RALINK TECHNOLOGY, CORP.	
		File	2.4GHz PA
Size	Document Number	Rev	
C	1-PA-AP1046.SCH	1.0	
Date:	Tue/01/Nov/31/2011	Sheet	2 of 6



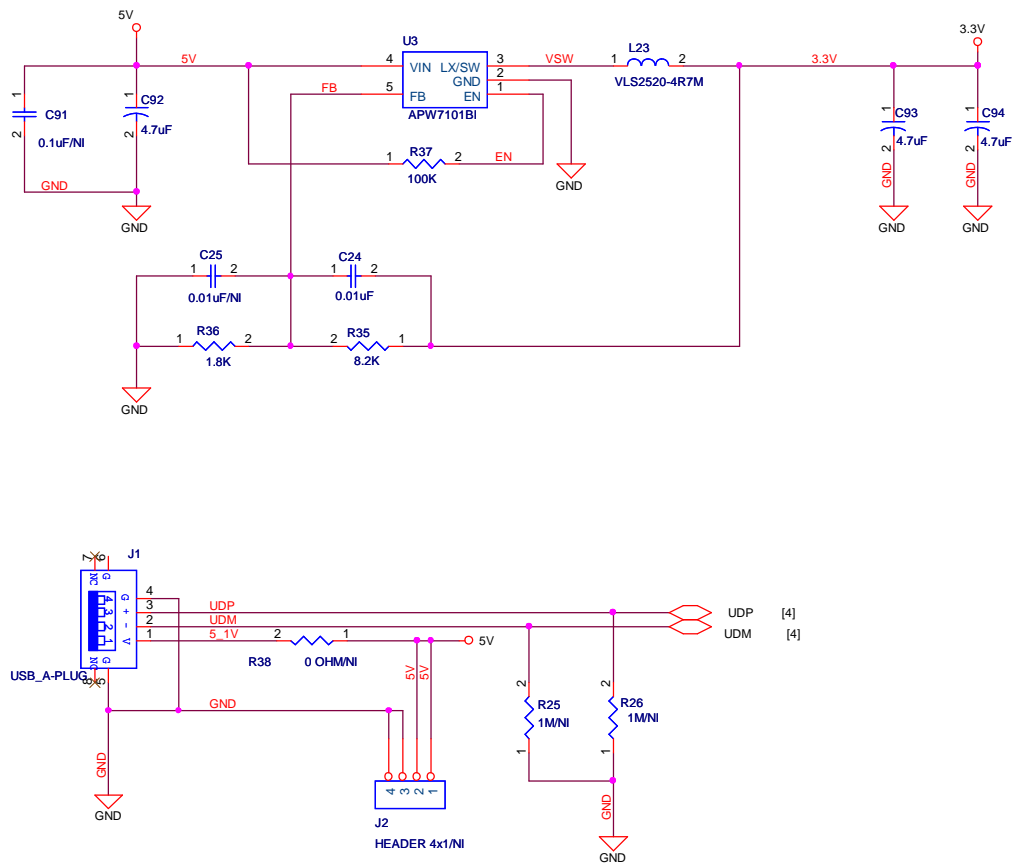
		RALINK TECHNOLOGY, CORP.	
		File	Front-End
Size	C	Document Number	2-FrontEnd.SCH
Date	Tue/Nov 31, 2011	Rev	1.0
		Sheet	3 of 6




Place RT1 close to Power Amp.



		RALINK TECHNOLOGY, CORP.	
		File	RT3070-WLAN
Size	Document Number	Rev	
C	3-RT3070-WLAN.SCH	1.0	
Date:	Tue/Nov. 11. 2011	Sheet	4 of 6



	RALINK TECHNOLOGY, CORP.		
	Title: PEN USB Interface and Power		
Size B	Document Number: 4-USB-A.SCH	Rev: 1.0	
Date: Tuesday, May 31, 2011	Sheet: 5	of: 6	