

REVISION RECORD			
LTR	ECO NO:	APPROVED:	DATE:

FCC ID: ZNK3012-C

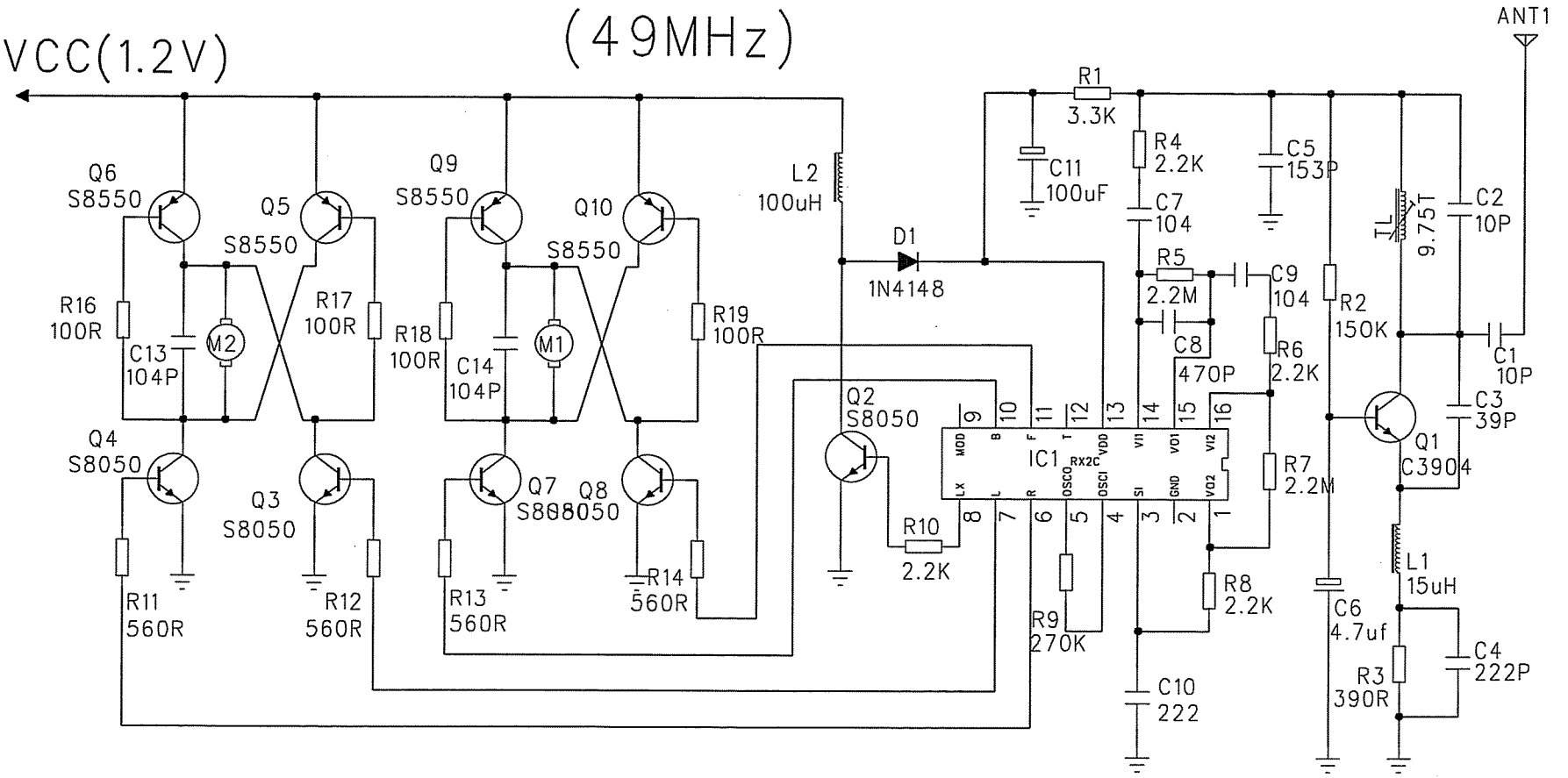
Receiver Circuit Diagram

Rechargeable battery DC
1.2V

VCC(1.2V)

(49MHz)

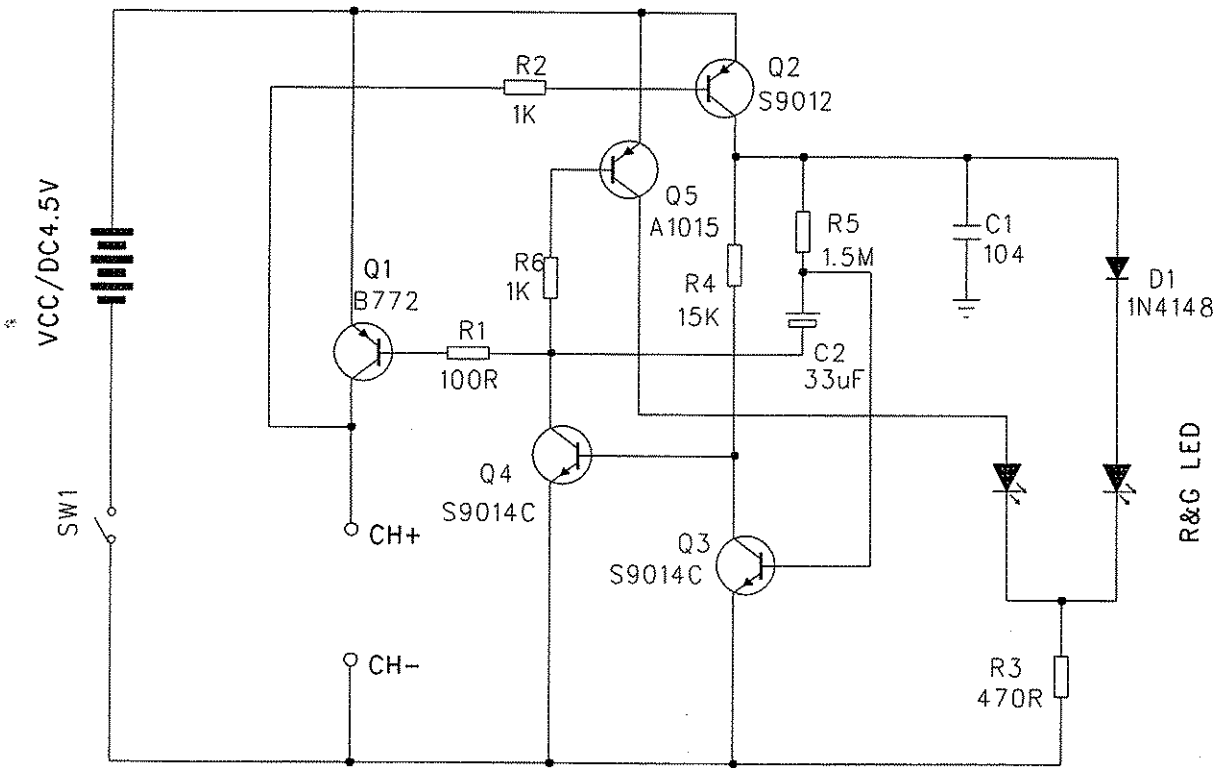
49.860MHz



Created by PDF Generator (<http://www.pdfjtools.com/>), to remove this mark, please buy the software.

D
C
B
A

Charger Circuit Diagram



COMPANY: MILLIFIELD		
TITLE: CHARGER		
DRAWN: L.Y.W	DATED: 04-7-22	REV: 00
CHECKED:	DATED:	
DRAWING NO: 20040202		SHEET: 1 OF 1

6

5

4

3

2

1

D

C

B

A