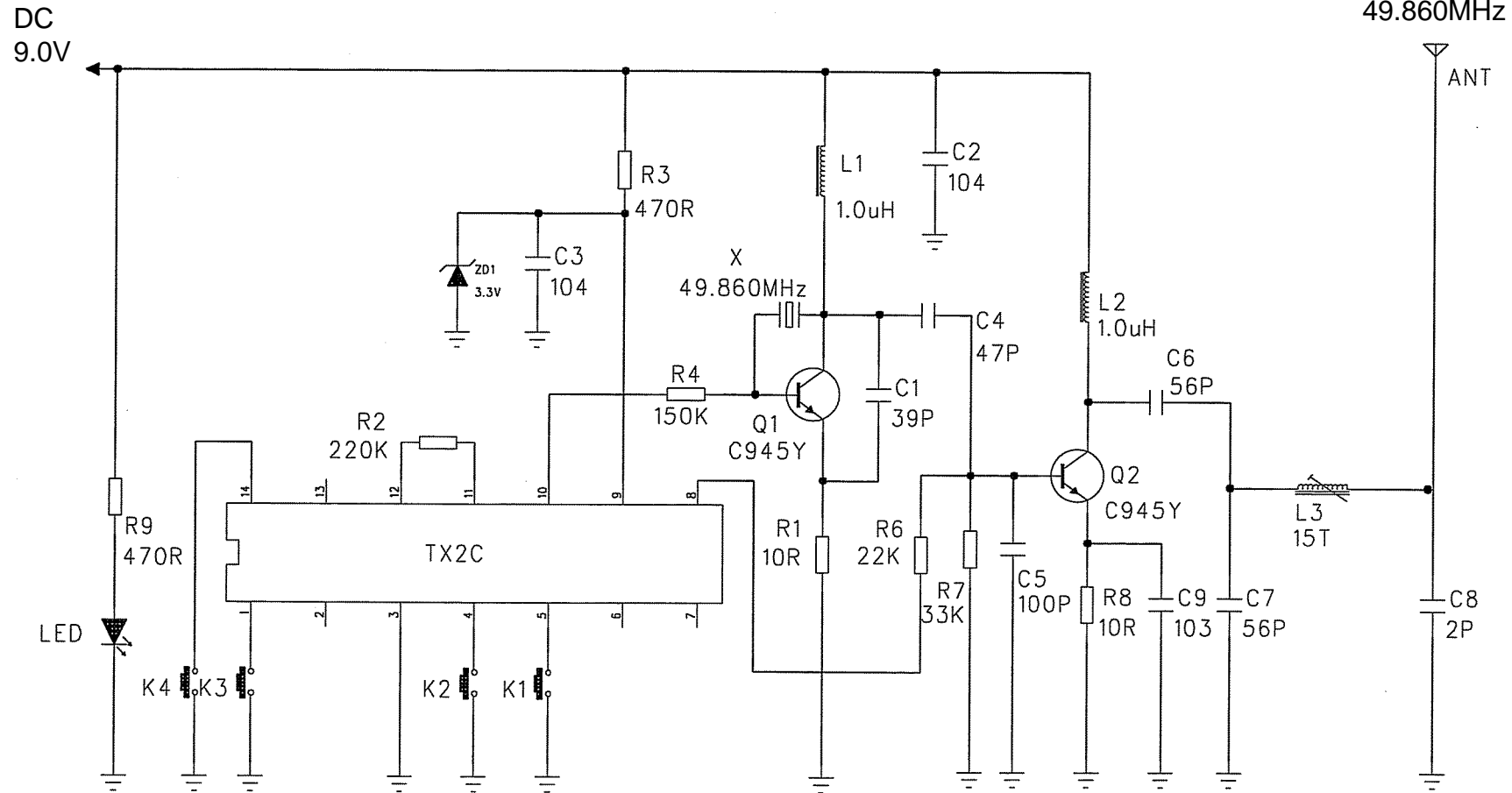


FCC ID: ZNK3012-B

# 49MHz Transmitter Circuit Diagram



Created by PDF Generator (<http://www.alientools.com/>), to remove this mark, please buy the software.

COMPANY: MILLIFIELD			
TITLE: T-20042			
DRAWN:	DATED:	SIZE: A3	REV: 00
CHECKED:	DATED:		
DRAWING NO: MWI-2004-0078		SHEET: 1 OF 1	

A