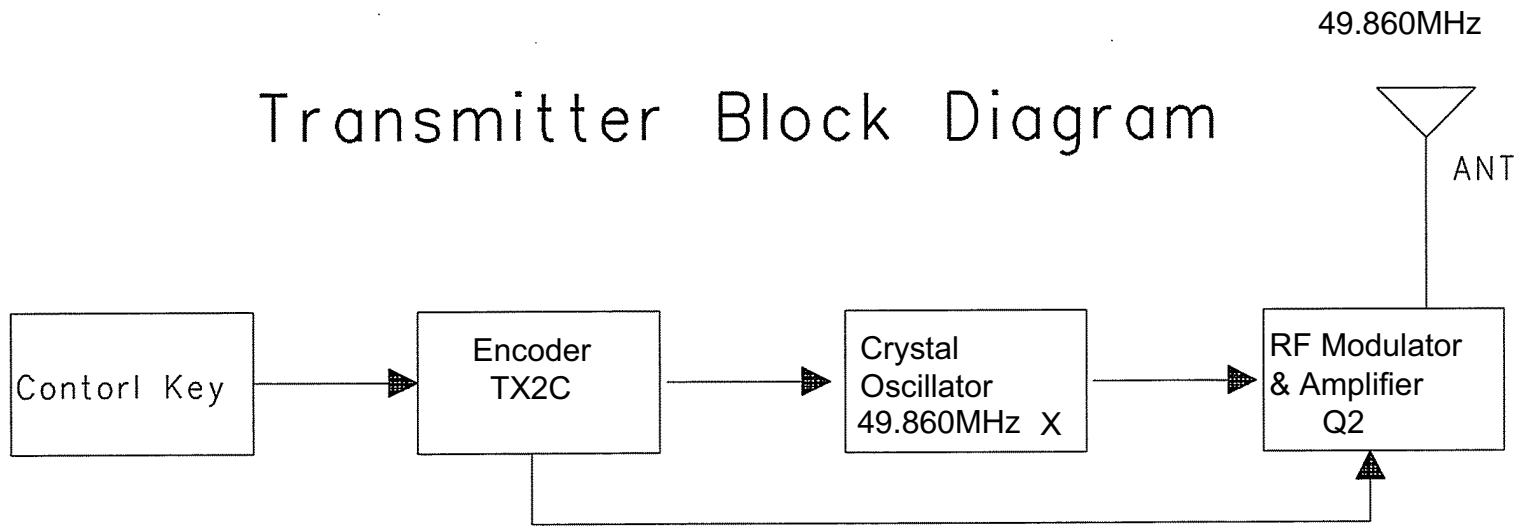


Transmitter Block Diagram



COMPANY:			
TITLE:			
DRAWN:	DATED:	SIZE:	REV:
CHECKED:	DATED:		
DRAWING NO:		SHEET: OF	

A