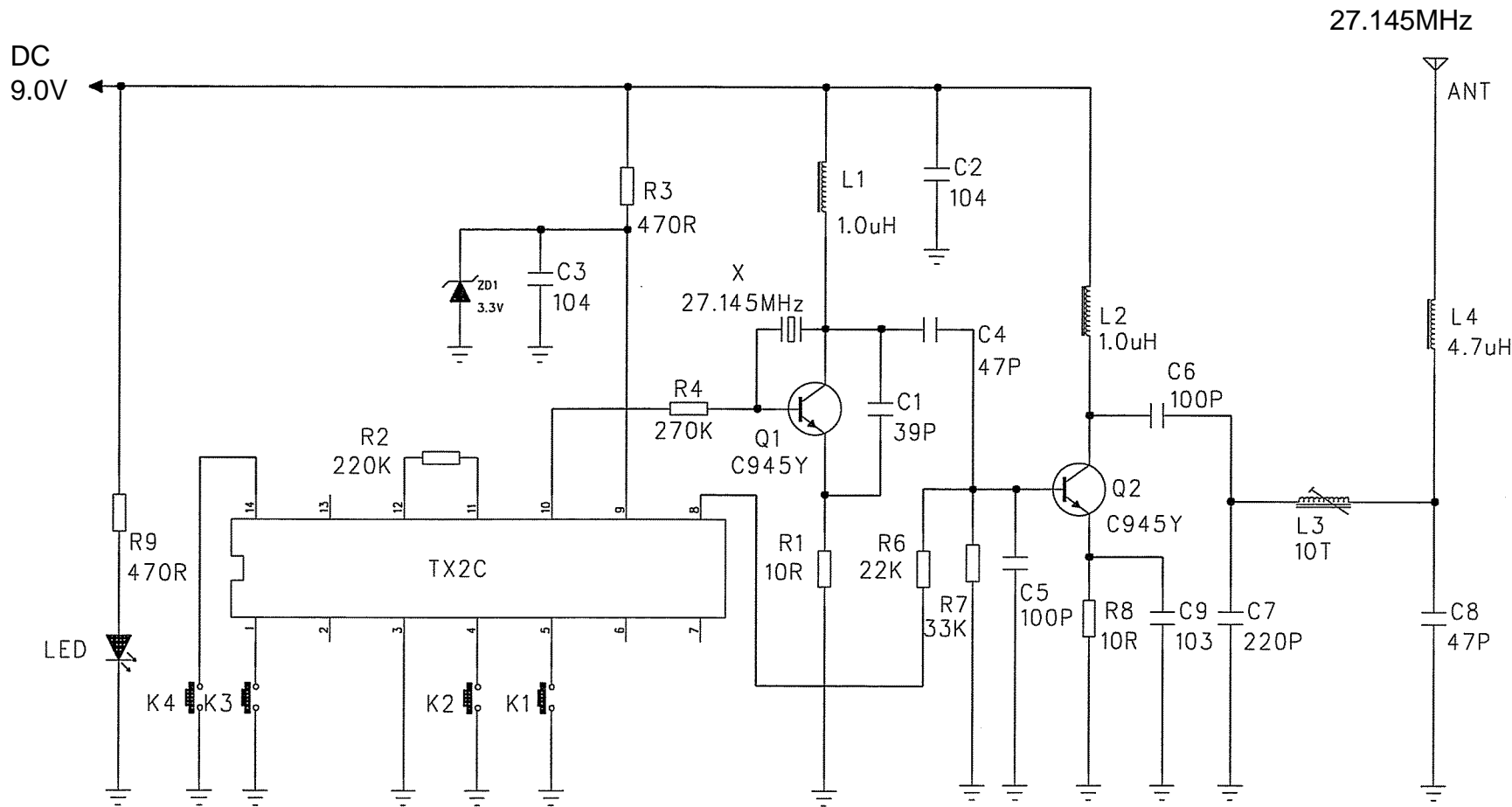


FCC ID: ZNK3012-A

27MHz Transmitter Circuit Diagram



COMPANY: MILLIFIELD

TITLE: T-20042

DRAWN:	DATED:	SIZE:	REV:
--------	--------	-------	------

CHECKED:	DATED:	A3	00
----------	--------	----	----

DRAWING NO: MWI-2004-0078	SHEET: 1 OF
---------------------------	-------------

Created by PDF Generator (<http://www.alientools.com/>), to remove this mark, please buy the software.

A