

# TEST REPORT

EMI Test for FCC Certification / ISED of LM-X525WA Model

APPLICANT

LG Electronics USA, Inc.

REPORT NO.

HCT-EM-1906-FI002-R2

DATE OF ISSUE

July 26, 2019

**HCT Co., Ltd.**

74, Seoicheon-ro 578beon-gil, Majang-myeon, Icheon-si, Gyeonggi-do, 17383 KOREA  
Tel. +82 31 645 6300 Fax. +82 31 645 6401



**HCT Co., Ltd.**

74, Seoicheon-ro 578beon-gil, Majang-myeon, Icheon-si, Gyeonggi-do, 17383 KOREA  
Tel. +82 31 645 6300 Fax. +82 31 645 6401



REPORT NO.  
HCT-EM-1906-FI002-R2

DATE OF ISSUE  
July 26, 2019

FCC ID / IC  
ZNFX525WA / 2703C-X525WA

Applicant LG Electronics USA, Inc.  
1000 Sylvan Avenue, Englewood Cliffs NJ 07632 United States

Product Name Multi-band GSM/WCDMA/LTE Phone with BT, WLAN and NFC  
Model Name LM-X525WA  
Series Model Name Refer to the clause 1.1 Description of EUT

Date of Test June 20, 2019 to June 26, 2019

Test Standard Used FCC CFR 47 PART 15 Subpart B Class B / ICES-003 Issue 6 Class B  
ANSI C63.4-2014

Test Results Refer to the present document

Manufacturer LG Electronics Inc.

The result shown in this test report refer only to the sample(s) tested unless otherwise stated.

Tested by  
Na-Eun Song

(signature)

Technical Manager  
Jeong-Hyun Choi

(signature)

## REVISION HISTORY

The revision history for this test report is shown in table.

Revision No.	Date of Issue	Description
0	June 27, 2019	Initial Release
1	July 09, 2019	Revised of typos
2	July 26, 2019	Revised Clause 1.6 Calibration of Measuring Instrument

The device bearing the trade name and model specified above, has been shown to comply with the applicable technical standards as indicated in the measurement report and was tested in accordance with the measurement procedures specified in ANSI C63.4-2014. (See Test Report if any modifications were made for compliance)  
I attest to the accuracy of data. All measurements reported herein were performed by me or were made under my supervision and are correct to the best of my knowledge and belief. I assume full responsibility for the completeness of these measurements and vouch for the qualifications of all persons taking them.  
HCT certifies that no party to application has been denied the FCC benefits pursuant to Section 5301 of the Anti-Drug Abuse Act of 1988, 21 U.S.C 862

## CONTENTS

1. GENERAL INFORMATION	5
1.1 Description of EUT	5
1.2 Tested System Details	7
1.3 Cable Description	7
1.4 Noise Suppression Parts on Cable. (I/O Cable)	8
1.5 Test Facility	9
1.6 Calibration of Measuring Instrument	9
1.7 Measurement Uncertainty	9
2. DESCRIPTION OF TEST	10
2.1 Measurement of Conducted Emission	10
2.2 Measurement of Radiated Emission	11
2.3 Configuration of Tested System	12
3. PRELIMINARY TEST	13
3.1 Conducted Emission	13
3.2 Radiated Emission	13
4. CONDUCTED EMISSION AND RADIATED EMISSION TEST SUMMARY	14
4.1 Conducted Emission	14
4.2 Radiated Emission Below 1 GHz	21
4.3 Radiated Emission Above 1 GHz	23
5. CONCLUSION	26
6. APPENDIX A. TEST SETUP PHOTOGRAPHS	27

## 1. GENERAL INFORMATION

### 1.1 Description of EUT

Its basic purpose is used for communications.

<b>FCC ID</b>	ZNFX525WA
<b>IC</b>	2703C-X525WA
<b>Model</b>	LM-X525WA
<b>Series Model Name</b>	LMX525WA, X525WA, LM-X525PR, LMX525PR, X525PR
<b>EUT Type</b>	Multi-band GSM/WCDMA/LTE Phone with BT, WLAN and NFC
<b>TX Frequency</b>	824.20 MHz to 848.80 MHz (GSM 850) 1 850.20 MHz to 1 909.80 MHz (GSM 1 900) 1 852.4 MHz to 1 907.6 MHz (WCDMA B2) 1712.4 MHz to 1752.6 MHz (WCDMA B4) 826.40 MHz to 846.60 MHz (WCDMA B5) 1 850 MHz to 1 910 MHz (LTE B2) 1 710 MHz to 1 755 MHz (LTE B4) 824 MHz to 849 MHz (LTE B5) 2 496 MHz to 2570 MHz (LTE B7) 699 MHz to 716 MHz (LTE B12) 777 MHz to 787 MHz (LTE B13) 704 MHz to 716 MHz (LTE B17) 1 710 MHz to 1 780 MHz (LTE B66) 2 402 MHz to 2 480 MHz (Bluetooth) 2 412 MHz to 2 462 MHz (WiFi 2.4 GHz) 2 412 MHz to 2 462 MHz ( WiFi 2.4 GHz) 5 180 MHz to 5 240 MHz (WiFi 5 GHz_UNII 1) 5 260 MHz to 5 320 MHz (WiFi 5 GHz_UNII 2A) 5 500 MHz to 5 720 MHz (WiFi 5 GHz_UNII 2C) 5 745 MHz to 5 825 MHz (WiFi 5 GHz_UNII 3) 13.56 MHz (NFC)

<b>RX Frequency</b>	869.20 MHz to 893.80 MHz (GSM 850) 1 930.20 MHz to 1 989.80 MHz (GSM 1 900) 1 932.4 MHz to 1 987.6 MHz (WCDMA B2) 2 112.4 MHz to 2 152.6 MHz (WCDMA B4) 871.40 MHz to 891.60 MHz (WCDMA B5) 1 930 MHz to 1 990 MHz (LTE B2) 2 110 MHz to 2 155 MHz (LTE B4) 869 MHz to 894 MHz (LTE B5) 2 516 MHz to 2690 MHz (LTE B7) 729 MHz to 746 MHz (LTE B12) 746 MHz to 756 MHz (LTE B13) 734 MHz to 746 MHz (LTE B17) 2 110 MHz to 2 200 MHz (LTE B66) 2 402 MHz to 2 480 MHz (Bluetooth) 2 412 MHz to 2 462 MHz (WiFi 2.4 GHz) 2 412 MHz to 2 462 MHz ( WiFi 2.4 GHz) 5 180 MHz to 5 240 MHz (WiFi 5 GHz_UNII 1) 5 260 MHz to 5 320 MHz (WiFi 5 GHz_UNII 2A) 5 500 MHz to 5 720 MHz (WiFi 5 GHz_UNII 2C) 5 745 MHz to 5 825 MHz (WiFi 5 GHz_UNII 3) 13.56 MHz (NFC)
---------------------	--

## 1.2 Tested System Details

All equipment descriptions used in the tested system (including inserted cards) are:

Device Type	Model Name	Serial Number	Manufacturer
EUT	LM-X525WA	-	LG
Data Cable	EAD62377921	-	LEAGTECH
Data Cable	EAD62377922 *	-	KSD
Data Cable	EAD62377927	-	Ningbo
Earphone	EAB64468444	-	CRESYN
Notebook PC	ProBook6560b	5CB2053MXF	HP
Notebook PC Adaptor	Series PPP009L-E	-	LITE-ON TECHNOLOGY
Gateway	TL-WR747N	-	TP Link
Gateway Adaptor	T090060-2H1	-	TP Link
Serial Mouse	Serial 2 Button mouse	02031069	Radio Shack
RJ45 cable	-	-	-
Micro SD card	SAMSUNG EVO+ microSDXC CLASS10 UHS- I (256 GB)	-	SAMSUNG

\*The worst-case emissions are reported.

### 1.3 Cable Description

Product Name	Port	Power Cord Shielded (Y/N)	I/O Cable Shielded (Y/N)	Length (m)
EUT	Micro USB	Y	Y	(P,D) 1.0
	Earphone	N/A	N	(D) 1.2
Notebook PC	RJ 45	N/A	N	(D) 1.6
	Serial(Mouse)	N/A	Y	(D) 1.8
	DC IN	N	N/A	(P) 1.8
Gateway	DC IN	N	N/A	(P) 1.8

NOTE. The marked "(D)" means the data cable and "(P)" means the power cable.

### 1.4 Noise Suppression Parts on Cable (I/O Cable)

Product Name	Port	Ferrite Bead (Y/N)	Location	Metal Hood (Y/N)	Location
EUT	Micro USB	N	N/A	Y	Both End
	Earphone	N	N/A	Y	EUT End
Notebook PC	RJ 45	N	N/A	N	N/A
	Serial(Mouse)	N	N/A	Y	Notebook PC End



### 1.5 Test Facility

Test site is located at 74, Seoicheon-ro 578beon-gil, Majang-myeon, Icheon-si, Gyeonggi-do, South Korea. Those measurement facilities are constructed in conformance with the requirements of ANSI C63.4-2014. The Normalized site attenuations (30 MHz to 1 GHz) and Site validation (1 GHz to 18 GHz) were performed in accordance with the standard in ANSI C63.4-2014

Measurement Facilities	Designation No.
Radiated Field strength measurement facility 3 m Semi Anechoic chamber	KR0032
Radiated Field strength measurement facility 10 m Semi Anechoic chamber #1	
Radiated Field strength measurement facility 10 m Semi Anechoic chamber #2	

### 1.6 Calibration of Measuring Instrument

The measuring equipment, which was utilized in performing the tests documented herein, has been calibrated in accordance with the manufacturers recommendations for utilizing calibration equipment, which is traceable to recognized national standards. Especially, all antenna for measurement is calibrated in accordance with the requirements of C63.5:2017

### 1.7 Measurement Uncertainty

The measurement uncertainties shown below were calculated in accordance with the requirements of ANSI C63.4-2014. All measurement uncertainty values are shown with a coverage factor of  $k = 2$  to indicate a 95 % level of confidence. The measurement data shown herein meets or exceeds the  $U_{CISPR}$  measurement uncertainty values specified in CISPR 16-4-2 and, thus, can be compared directly to specified limits to determine compliance.

Parameter	Expanded Uncertainty
Conducted Emission (0.15 MHz to 30 MHz)	1.78 dB
Radiated Emissions (30 MHz to 1 GHz)	6.00 dB
Radiated Emissions (1 GHz to 18 GHz)	4.78 dB
Radiated Emissions (18 GHz to 40 GHz)	4.94 dB

## 2. DESCRIPTION OF TEST

### 2.1 Measurement of Conducted Emission

The test procedure was in accordance with ANSI C63.4-2014, Clause 7.3

- a. The EUT was placed 0.4 meters from the conducting wall of the shielded room with EUT being connected to the power mains through a line impedance stabilization network (LISN).  
If the EUT is connected to the PC through USB, the AC power-line adapter of the PC is directly connected to a line impedance stabilization network (LISN).  
Other support units were connected to the power mains through another LISN. The two LISNs provide 50 Ohm/ 50uH of coupling impedance for the measuring instrument.
- b. Both conducted lines are measured in Quasi-Peak and Average mode, including the worst-case data points for each tested configuration.
- c. The frequency range from 150 kHz to 30 MHz was searched.

#### Conducted Emission Limits

Frequency (MHz)	Resolution Bandwidth (kHz)	Class A		Class B	
		Quasi-Peak (dBµV)	Average (dBµV)	Quasi-Peak (dBµV)	Average (dBµV)
0.15 to 0.5	9	79	66	66 to 56*	56 to 46*
0.5 to 5	9	73	60	56	46
5 to 30	9	73	60	60	50

NOTE. Decreases with the logarithm of the frequency.

## 2.2 Measurement of Radiated Emission

The test procedure was in accordance with ANSI C63.4-2014, Clause 8.3

- a. The EUT was placed on the top of a turn table 0.8 meters above the ground at a semi-anechoic chamber. The table was rotated 360 degrees to determine the position of the highest radiation.
- b. The EUT was set 3 m away from the interference-receiving antenna, which was mounted on the top of a variable-height antenna tower.
- c. The antenna height is varied from 1 m to 4 m above the ground to determine the maximum value of the field strength. Both horizontal and vertical polarizations of the antenna are set to make the measurement.
- d. For each suspected emission, the EUT was arranged to its worst case and then the antenna was tuned to heights from 1 m to 4 m and the turn table was turned from 0 degrees to 360 degrees to find the maximum reading.
- e. The test-receiver system was set to Quasi-Peak detect function and specified bandwidth with maximum hold mode when the test frequency is below 1 GHz.
- f. The test-receiver system was set to Peak and Average detect function and specified bandwidth with maximum hold mode when the test frequency is above 1 GHz.
- g. Place the measurement antenna away from each area of the EUT determined to be a source of emissions at the specified measurement distance, while keeping the measurement antenna aimed at the source of emissions at each frequency of significant emissions, with polarization oriented for maximum response.  
(1 GHz to 40 GHz)

### Radiated Emission Limits

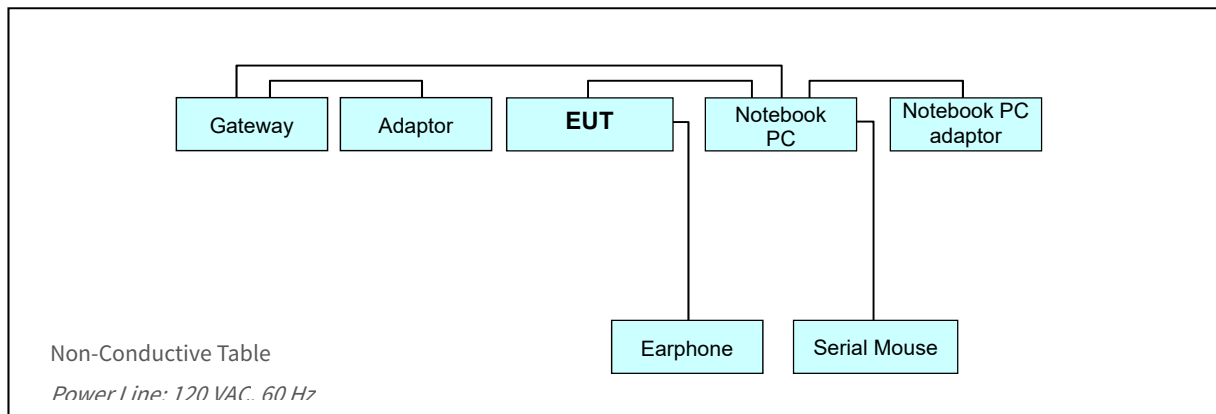
Frequency (MHz)	Class A			Class B		
	Antenna Distance (m)	Field Strength (μV/m)	Quasi-Peak (dBμV/m)	Antenna Distance (m)	Field Strength (μV/m)	Quasi-Peak (dBμV/m)
30 to 88	10	90	39.0	3	100	40.0
88 to 216	10	150	43.5	3	150	43.5
216 to 960	10	210	46.4	3	200	46.0
Above 960	10	300	49.5	3	500	54.0
Frequency (MHz)	Antenna Distance (m)	Class A		Class B		
		Peak (dBμV/m)	Average (dBμV/m)	Peak (dBμV/m)	Average (dBμV/m)	
Above 1 000	3	80	60	74	54	

### 2.2.1 Frequency Range of Radiated Measurements

An unintentional radiator, including a digital device, the spectrum shall be investigated from the lowest radio frequency signal generated or used in the device, without going below the lowest frequency for which a Radiated Emission limit is specified, up to the frequency shown in the following table

Highest frequency generated or used in the device or on which the device operates or tunes (MHz)	Upper frequency of measurement range (MHz)
Below 1.705	30
1.705 to 108	1 000
108 to 500	2 000
500 to 1 000	5 000
Above 1 000	5th harmonic of the highest frequency or 40 GHz, whichever is lower
Below 1.705	30

### 2.3 Configuration of Tested System



### 3. PRELIMINARY TEST

#### 3.1 Conducted Emission

It was tested the following operating mode, after connecting all peripheral devices.

**Operating Modes:** Data Communication mode

#### 3.2 Radiated Emission

It was tested the following operating mode, after connecting all peripheral devices.

**Operating Modes:** Data Communication mode

## 4. CONDUCTED EMISSION AND RADIATED EMISSION TEST SUMMARY

### 4.1 Conducted Emission

#### 4.1.1 Measuring instruments

Type	Manufacturer	Model Name	Serial Number	Calibration Cycle	Calibration Date
<input checked="" type="checkbox"/> EMI Test Receiver	Rohde & Schwarz	ESCI	100584	1 year	06.18.2019
<input checked="" type="checkbox"/> LISN	Rohde & Schwarz	ENV216	102245	1 year	12.12.2018
<input checked="" type="checkbox"/> LISN	Rohde & Schwarz	ENV216	100073	1 year	04.30.2019
<input checked="" type="checkbox"/> Software	Rohde & Schwarz	EMC32 VER8.54.0	-	-	-

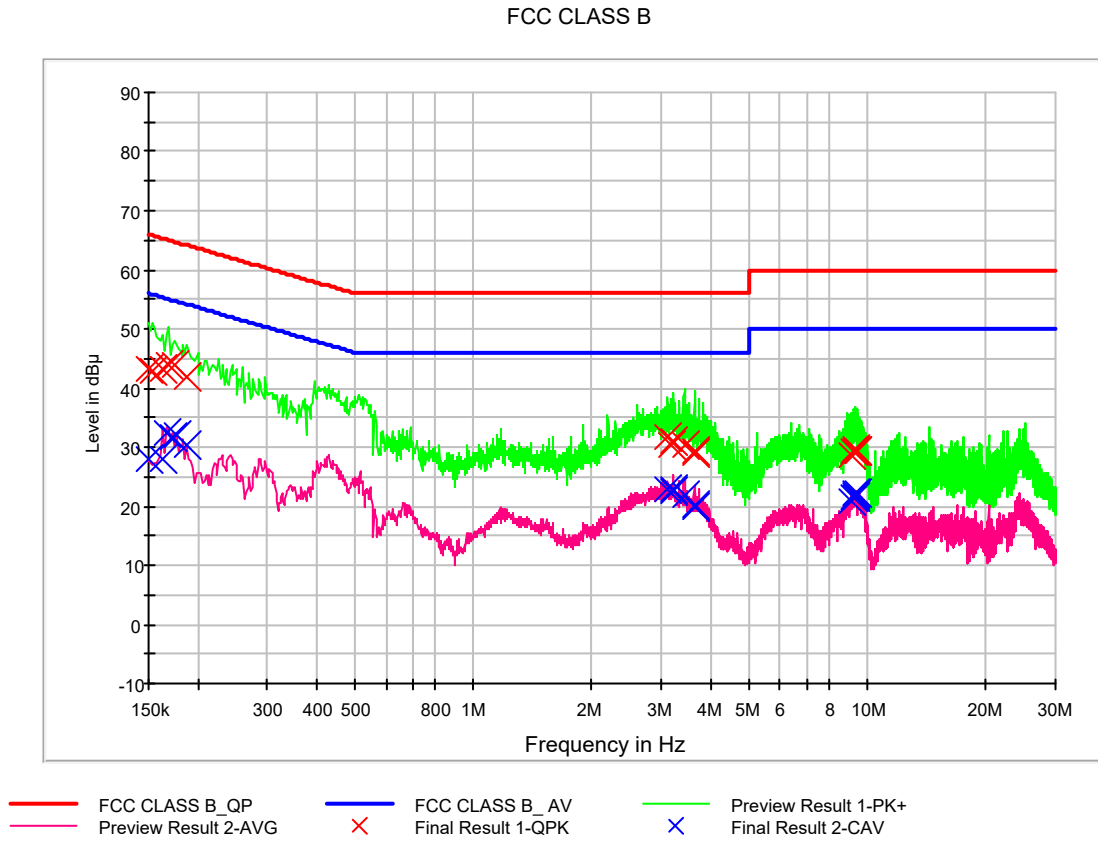
#### 4.1.2 Operating Condition

The test results of conducted emission at mains ports provide the following information:

<b>Test Standard Used</b>	FCC CFR 47 PART 15 Subpart B Class B ICES-003 Issue 6 Class B ANSI C63.4-2014
<b>Detector</b>	Quasi-Peak, CISPR-Average
<b>Bandwidth</b>	9 kHz (6 dB)
<b>Operating Mode</b>	Data Communication mode
<b>Worst Case of Data Cable</b>	KSD (EAD62377922)
<b>Kind of Test Site</b>	Shielded Room
<b>Temperature</b>	23.7 °C
<b>Relative Humidity</b>	43.8 %
<b>Test Date</b>	June 20, 2019

### 4.1.3 Measuring Data

Figure 1: Conducted Emission, AC Main Port, Line (L1)



## QuasiPeak Final Result, Line (L1)

Frequency (MHz)	QuasiPeak (dB $\mu$ V)	Bandwidth (kHz)	Line	Corr. (dB)	Margin (dB)	Limit (dB $\mu$ V)
0.150000	43.3	9.000	L1	9.6	22.7	66.0
0.154000	42.9	9.000	L1	9.6	22.9	65.8
0.162000	43.3	9.000	L1	9.6	22.1	65.4
0.168000	44.0	9.000	L1	9.6	21.1	65.1
0.174000	44.0	9.000	L1	9.6	20.7	64.8
0.188000	41.8	9.000	L1	9.7	22.4	64.1
3.120000	31.8	9.000	L1	9.8	24.2	56.0
3.186000	30.4	9.000	L1	9.8	25.6	56.0
3.222000	31.0	9.000	L1	9.8	25.0	56.0
3.430000	30.2	9.000	L1	9.8	25.8	56.0
3.634000	29.0	9.000	L1	9.8	27.0	56.0
3.638000	29.4	9.000	L1	9.8	26.6	56.0
9.062000	28.6	9.000	L1	9.9	31.4	60.0
9.260000	29.4	9.000	L1	10.0	30.6	60.0
9.320000	29.3	9.000	L1	10.0	30.7	60.0
9.344000	29.6	9.000	L1	10.0	30.4	60.0
9.370000	29.4	9.000	L1	10.0	30.6	60.0
9.468000	29.4	9.000	L1	10.0	30.6	60.0

**Calculation Formula:**

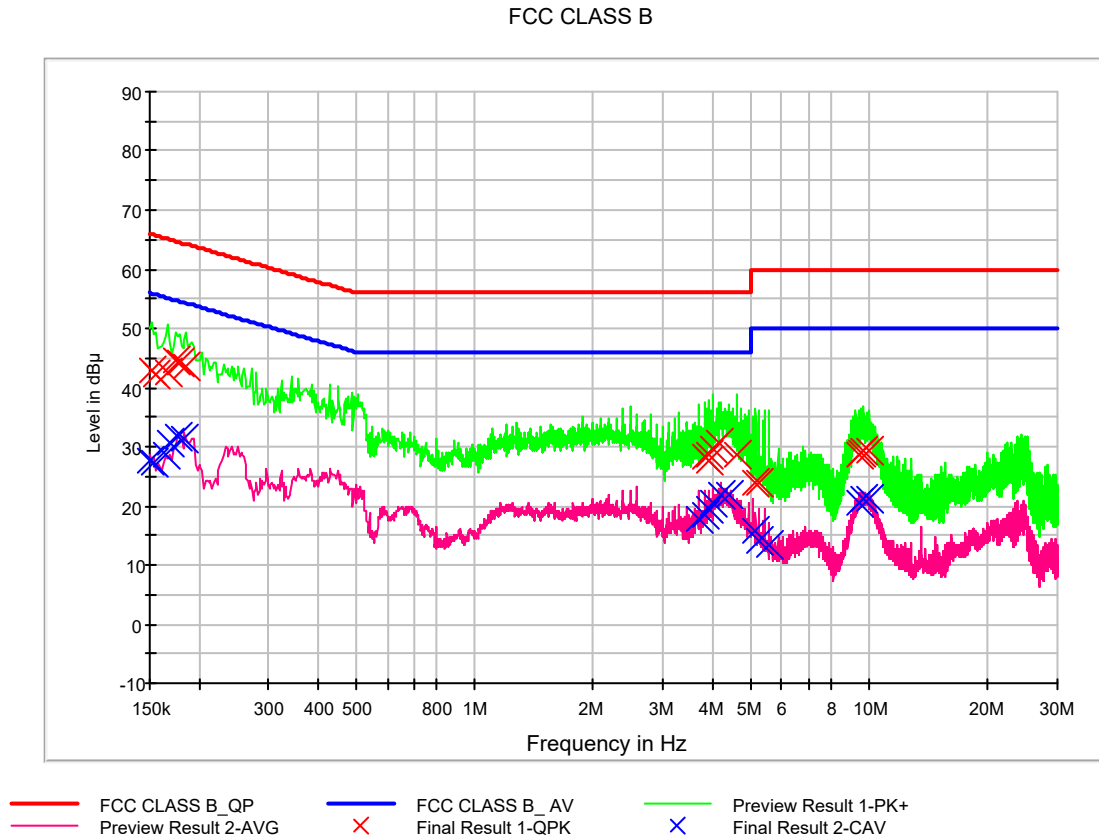
1. Conductor L1 = Hot, Conductor N = Neutral
2. Corr. = LISN Factor + Cable Loss
3. QuasiPeak or CAverage= Receiver Reading + Corr.
4. Margin = Limit – QuasiPeak or CAverage



## CAverage Final Result, Line (L1)

Frequency (MHz)	CAverage (dB $\mu$ V)	Bandwidth (kHz)	Line	Corr. (dB)	Margin (dB)	Limit (dB $\mu$ V)
0.150000	28.0	9.000	L1	9.6	28.0	56.0
0.162000	27.9	9.000	L1	9.6	27.5	55.4
0.166000	32.5	9.000	L1	9.6	22.7	55.2
0.172000	31.8	9.000	L1	9.6	23.0	54.9
0.176000	32.0	9.000	L1	9.6	22.7	54.7
0.188000	30.4	9.000	L1	9.7	23.7	54.1
3.120000	22.9	9.000	L1	9.8	23.1	46.0
3.222000	22.7	9.000	L1	9.8	23.3	46.0
3.226000	22.7	9.000	L1	9.8	23.3	46.0
3.428000	21.7	9.000	L1	9.8	24.3	46.0
3.634000	20.2	9.000	L1	9.8	25.8	46.0
3.638000	19.9	9.000	L1	9.8	26.1	46.0
9.062000	20.9	9.000	L1	9.9	29.1	50.0
9.204000	21.6	9.000	L1	9.9	28.4	50.0
9.272000	21.5	9.000	L1	10.0	28.5	50.0
9.320000	22.0	9.000	L1	10.0	28.0	50.0
9.344000	21.8	9.000	L1	10.0	28.2	50.0
9.370000	22.3	9.000	L1	10.0	27.7	50.0

Figure 2: Conducted Emission, AC Main Port, Line (N)



This report only responds to the tested sample and may not be reproduced, except in full, without written approval of the HCT Co., Ltd.

## QuasiPeak Final Result, Line (N)

Frequency (MHz)	QuasiPeak (dB $\mu$ V)	Bandwidth (kHz)	Line	Corr. (dB)	Margin (dB)	Limit (dB $\mu$ V)
0.152000	42.9	9.000	N	9.6	22.9	65.9
0.156000	42.3	9.000	N	9.6	23.3	65.7
0.166000	42.6	9.000	N	9.6	22.5	65.2
0.174000	44.7	9.000	N	9.6	20.1	64.8
0.178000	44.2	9.000	N	9.6	20.3	64.6
0.186000	43.5	9.000	N	9.6	20.7	64.2
3.814000	28.4	9.000	N	9.8	27.6	56.0
3.916000	27.7	9.000	N	9.8	28.3	56.0
3.922000	28.6	9.000	N	9.8	27.4	56.0
4.020000	29.6	9.000	N	9.8	26.4	56.0
4.158000	30.6	9.000	N	9.8	25.4	56.0
4.636000	28.5	9.000	N	9.8	27.5	56.0
5.160000	23.9	9.000	N	9.8	36.1	60.0
5.258000	23.9	9.000	N	9.8	36.1	60.0
9.380000	28.7	9.000	N	9.9	31.3	60.0
9.554000	29.1	9.000	N	9.9	30.9	60.0
9.648000	29.4	9.000	N	9.9	30.6	60.0
9.970000	29.2	9.000	N	9.9	30.8	60.0

CAverage Final Result, Line (N)

Frequency (MHz)	CAverage (dB $\mu$ V)	Bandwidth (kHz)	Line	Corr. (dB)	Margin (dB)	Limit (dB $\mu$ V)
0.150000	27.5	9.000	N	9.6	28.5	56.0
0.154000	27.3	9.000	N	9.6	28.5	55.8
0.164000	28.6	9.000	N	9.6	26.7	55.3
0.168000	30.6	9.000	N	9.6	24.5	55.1
0.176000	31.6	9.000	N	9.6	23.1	54.7
0.184000	31.5	9.000	N	9.6	22.8	54.3
3.712000	17.8	9.000	N	9.8	28.2	46.0
3.814000	18.6	9.000	N	9.8	27.4	46.0
3.916000	19.5	9.000	N	9.8	26.5	46.0
4.018000	20.6	9.000	N	9.8	25.4	46.0
4.224000	21.9	9.000	N	9.8	24.1	46.0
4.406000	21.7	9.000	N	9.8	24.3	46.0
5.160000	15.7	9.000	N	9.8	34.3	50.0
5.258000	13.9	9.000	N	9.8	36.1	50.0
5.564000	13.4	9.000	N	9.9	36.6	50.0
9.380000	20.7	9.000	N	9.9	29.3	50.0
9.648000	21.2	9.000	N	9.9	28.8	50.0
9.970000	21.1	9.000	N	9.9	28.9	50.0

This report only responds to the tested sample and may not be reproduced, except in full, without written approval of the HCT Co., Ltd.

## 4.2 Radiated Emission Below 1 GHz

### 4.2.1 Measuring instruments

Type	Manufacturer	Model Name	Serial Number	Calibration Cycle	Calibration Date
<input checked="" type="checkbox"/> EMI test receiver	Rohde & Schwarz	ESU40	100524	1 year	05.17.2019
<input checked="" type="checkbox"/> Trilog antenna	Schwarzbeck	VULB 9168	255	2 year	03.26.2019
<input checked="" type="checkbox"/> Antenna master	INNCO Systems	MA4640-XP-ET	-	N/A	-
<input checked="" type="checkbox"/> Antenna master controller	INNCO Systems	CO 3000	CO3000/870/ 35990515/L	N/A	-
<input checked="" type="checkbox"/> Turn Table	INNCO Systems	1060	-	N/A	-
<input checked="" type="checkbox"/> Turn table controller	INNCO Systems	CO2000	CO2000/095/ 7590304/L	N/A	-
<input checked="" type="checkbox"/> Software	Rohde & Schwarz	EMC32 VER8.40.0	-	-	-

### 4.2.2 Operating Condition

The test results of radiated emission provide the following information:

<b>Used Test Standard</b>	FCC CFR 47 PART 15 Subpart B Class B ICES-003 Issue 6 Class B ANSI C63.4-2014
<b>Detector</b>	Quasi-Peak
<b>Bandwidth</b>	120 kHz (6 dB)
<b>Operating Mode</b>	Data Communication mode
<b>Worst Case of Data Cable</b>	KSD (EAD62377922)
<b>Kind of Test Site</b>	3 m semi anechoic chamber
<b>Temperature</b>	22.5 / 23.8 °C
<b>Relative Humidity</b>	42.1 / 43.1 %
<b>Test Date</b>	June 25 / June 26, 2019

#### 4.2.3 Measuring Data

Frequency (MHz)	Quasi Peak (dB $\mu$ V/m)	Antenna Height (cm)	POL. (H/V)	Azimuth (deg)	Corr. (dB)	Margin (dB)	Limit (dB $\mu$ V/m)
30.104800	24.5	100.0	V	22.0	18.3	15.5	40.0
87.378400	25.8	307.7	H	293.0	14.7	14.2	40.0
111.478400	23.2	100.0	V	8.0	16.5	20.3	43.5
265.522400	32.3	125.0	H	154.0	19.3	13.7	46.0
600.044000	36.9	100.0	V	346.0	27.4	9.1	46.0
800.022400	40.0	274.8	H	73.0	30.4	6.0	46.0

**- Calculation Formula:**

1. POL. H = Horizontal, POL. V = Vertical
2. QuasiPeak = Reading (Receiver Reading) + Corr.
3. Corr. (Correction Factor) = Antenna Factor + Cable Loss
4. Margin = Limit - QuasiPeak

### 4.3 Radiated Emission Above 1 GHz

#### 4.3.1 Measuring instruments

	Type	Manufacturer	Model Name	Serial Number	Calibration Cycle	Calibration Date
<input checked="" type="checkbox"/>	EMI test receiver	Rohde & Schwarz	ESU40	100524	1 year	05.17.2019
<input checked="" type="checkbox"/>	Antenna master	INNCO Systems	MA4640-XP-ET	-	N/A	-
<input checked="" type="checkbox"/>	Antenna master controller	INNCO Systems	CO3000	CO3000/870/ 35990515/L	N/A	-
<input checked="" type="checkbox"/>	Turn table	INNCO Systems	1060	-	N/A	-
<input checked="" type="checkbox"/>	Turn table controller	INNCO Systems	CO2000	CO2000/095/ 7590304/L	N/A	-
<input checked="" type="checkbox"/>	Low Noise amplifier	TESTEK	TK-PA18H	170034-L	1 year	03.04.2019
<input checked="" type="checkbox"/>	Horn antenna	Schwarzbeck	BBHA 9120D	01836	1 year	07.20.2018
<input checked="" type="checkbox"/>	Power Amplifier	TK-PA1840H	TESTEK	170030-L	1 year	12.17.2018
<input checked="" type="checkbox"/>	Horn Antenna	BBHA 9170	Schwarzbeck	BBHA9170 #786	2 year	12.05.2017
<input checked="" type="checkbox"/>	Software	Rohde & Schwarz	EMC32 VER8.40.0	-	-	-

#### 4.3.2 Operating Condition

The test results of radiated emission provide the following information:

<b>Used Test Standard</b>	FCC CFR 47 PART 15 Subpart B Class B ICES-003 Issue 6 Class B ANSI C63.4-2014
<b>Detector</b>	Peak mode: Peak (RBW: 1 MHz, VBW: 3 MHz) CISPR-Average mode: Peak (RBW: 1 MHz, VBW: 10 Hz)
<b>Highest Frequency</b>	5 825 MHz
<b>Tested Frequency Range</b>	1 GHz to 30 GHz
<b>Operation Mode</b>	Data Communication mode
<b>Worst Case of Data Cable</b>	KSD (EAD62377922)
<b>Kind of Test Site</b>	3 m semi anechoic chamber
<b>Temperature</b>	22.5 °C
<b>Relative Humidity</b>	42.1 %
<b>Test Date</b>	June 25, 2019



### 4.3.3 Measuring Data

Frequency (MHz)	Peak (dB $\mu$ V/m)	Antenna Height (cm)	POL. (H/V)	Azimuth (deg)	Corr. (dB)	Margin (dB)	Limit (dB $\mu$ V/m)
1400.135000	48.3	232.6	V	256.0	-26.0	25.7	74.0
2010.145000	49.2	112.4	V	53.0	-25.2	24.8	74.0
2661.960000	50.3	125.7	V	0.0	-22.6	23.7	74.0
2796.700000	46.2	100.0	V	4.0	-22.0	27.8	74.0
5993.715000	44.2	111.4	V	323.0	-14.7	29.8	74.0
14659.635000	49.3	100.0	H	28.0	0.9	24.7	74.0

Frequency (MHz)	CAverage (dB $\mu$ V/m)	Antenna Height (cm)	POL. (H/V)	Azimuth (deg)	Corr. (dB)	Margin (dB)	Limit (dB $\mu$ V/m)
1400.135000	46.4	232.6	V	256.0	-26.0	7.6	54.0
2010.145000	24.9	112.4	V	53.0	-25.2	29.1	54.0
2661.960000	23.6	125.7	V	0.0	-22.6	30.4	54.0
2796.700000	22.1	100.0	V	4.0	-22.0	31.9	54.0
5993.715000	28.4	111.4	V	323.0	-14.7	25.6	54.0
14659.635000	36.1	100.0	H	28.0	0.9	17.9	54.0

**- Calculation Formula:**

1. POL. H = Horizontal, POL. V = Vertical
2. Peak or CAverage = Reading (Receiver Reading) + Corr.
3. Corr. (Correction Factor) = Antenna Factor+ Cable Loss –Amplifier Gain
4. Margin = Limit - Peak or CAverage

## 5. CONCLUSION

The data collected shows that the **EUT Type: Multi-band GSM/WCDMA/LTE Phone with BT, WLAN and NFC, Model: LM-X525WA** complies with §15.107 and §15.109 of the FCC rules and ICES-003 Issue 6 of the IC rules.

## 6. APPENDIX A. TEST SETUP PHOTO

Please refer to Appendix. A and test setup photo file no. as follows;

File No.	Date of Issue	Description
HCT-EM-1906-FI002-P	June 27, 2019	Initial Release

End of report