

环保:	RoHS2.0/REACH/HF
版本:	A/0

承认书

SPECIFICATION FOR APPROVAL

客户名称
Customer: 佳禾智能科技股份有限公司

品名
Product: 天线

客户料号
Part No.: 300116190178Y00

客户（业务）确认回复： Customer (Business) Approval Status:	
签 核： Signature:	
合格 PASSED	拒收 REJECTED

产品资料 PRODUCT INFORMATION

产品名称
Product: 蓝牙天线

产品型号
Part No.: MTS.81800V463T1(T90S-充电盒天线;81800V463)

样品编号
Samples No.:

图纸编号
Drawing No.:

日期
Date: 2023.9.19

承 办 Prepared By	校 对 Proofed By	审 核 Checked By
DATE:	DATE:	DATE:

创新INNOVATION 信赖RELIABILITY 满意SATISFACTION



深圳市丰禾原电子科技有限公司
SUNITEC ENTERPRISE CO.,LTD.

地址:广东省深圳市龙华区福城街道兴富社区大三村伟祥泰工业园厂房C栋1-4

ADDRESS: Building C No.725 , WeiXiangTai Industrial zone,FuCheng street , LongHua district , ShenZhen,GuangDong, China (ZIP:518110)

TEL: 0755-28016180 E-mail:sales16@sunitec-cn.com

http://cn.sunitec-cn.com

ANTENNA SPECIFICATION

Client:	Cosonic Intelligent
Project:	T90S-C
Antenna type:	FPC antenna
Version:	V1.1
Issued Date:	18-Sep-23

Contents

1. Revision History
2. Introduction
3. Electrical Characteristics

1.Revision History

Rev.No	Issued Date	Description	Summary
V1.0	10-July-23	initial release	
V1.1	18-Sep-23		Update blister packaging

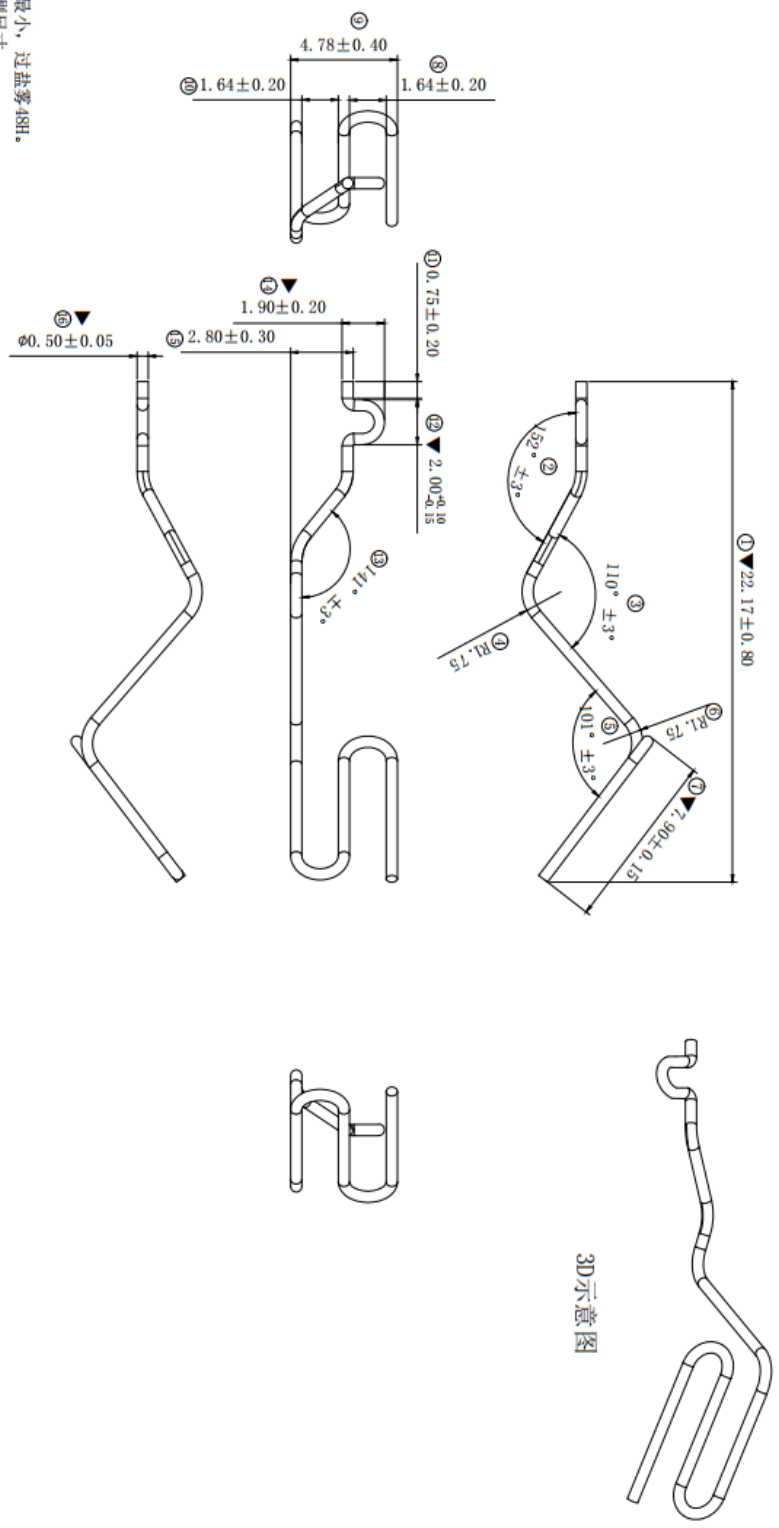
2. Introduction

2.1 Introduction of Product

This product is a steel wire BT antenna welded to a PCB

2.2 Specification and Dimension

REV.	ECN NUMBER	DESCRIPTION	DATE	DRAWN	CHECKED	APPROVED
X1	ECN232142	初版发行	07/04'23	刘晓峰	丁第斌	牛宝星



- 注:
- 1.材质: 不锈钢SUS304。
 - 2.表面处理: 预镀镍80u“最小, 过盐雾48H。
 - 3.标有“▼”为QC重点检测尺寸。
 - 4.环保须符合RoHS2.0/REACH/HF。

NOTE:

1. MATERIAL: STAINLESS STEEL SUS304.
2. SURFACE TREATMENT: PRE-PLATED NICKEL 80U" MINIMUM, SALT SPRAY 48H.
3. THE DIMENSIONS MARKED WITH "▼" ARE THE KEY INSPECTION DIMENSIONS OF QC.
4. ENVIRONMENTAL PROTECTION MUST COMPLY WITH ROHS2.0/REACH/HF.



ELECTRIC CONNECTOR TECHNOLOGY

GENERAL TOLERANCE		SCALE:	DRAWN:	DATE:
X. ± 0.30	XXX. ° ± 2°	4:1	刘晓峰	07/04'23
.X ± 0.20	XX. ° ± 1°	UNIT:	CHECK:	DATE:
.XX ± 0.10		mm	APPROVE:	DATE:
		SIZE: A4		

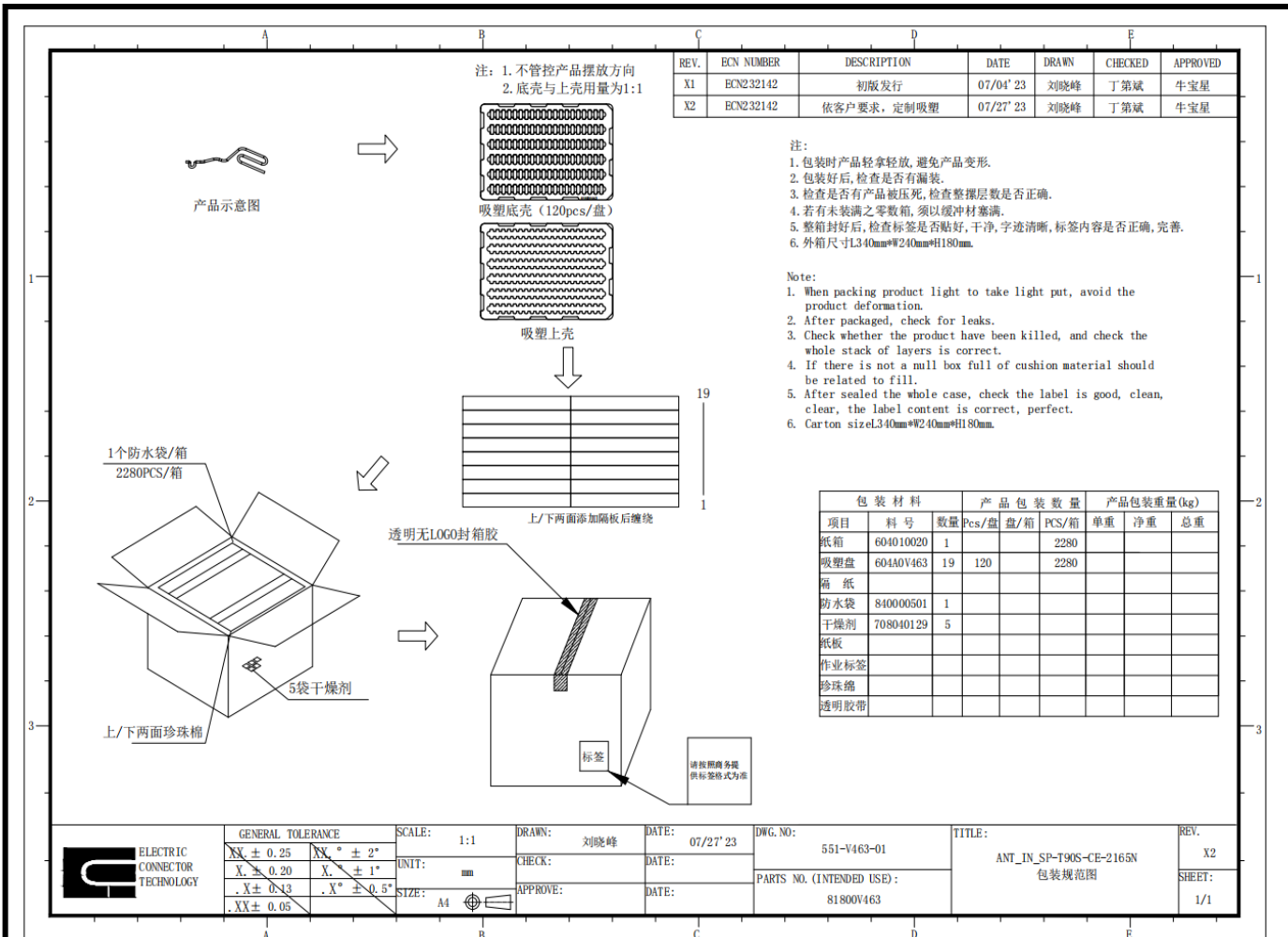
DRAWING NO.:		PARTS NO. (INTENDED USE):	
600-V463-01		81800V463	

ITEM	PART NAME	Q'TY	MATERIAL / FINISH
a	弹簧	1	SP 22.17*4.78*0.5MM SUS304 预镀镍80U"

TITLE: ANT_IN_SP-1905-CE-2165N Customer Figure

REV.	SHEET:
X1	1/1

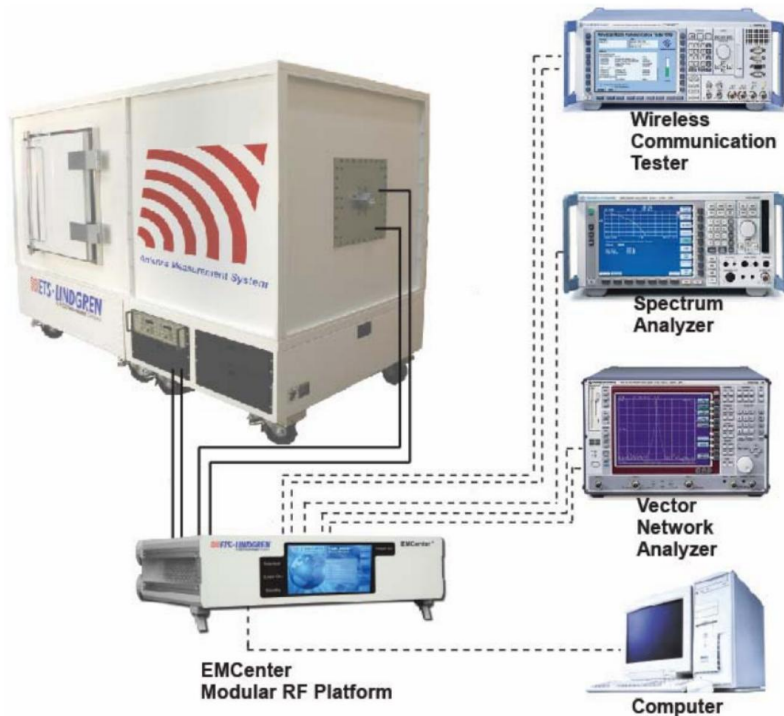
THIS DRAWINGS AND SPECIFICATIONS ARE THE PROPERTY OF SUNITEC ENTERPRISE CO.,LTD.AND SHALL NOT BE REPRODUCED OR USED AS THE BASIS FOR THE MANUFACTURE OR SALE OF APPARATUS OR DEVICES WITHOUT PERMISSION



3. Electrical Characteristics

3.1 Test equipment:

- VECTOR NETWORK ANALYZER
- Agilent E5071c
- Antenna Measurement System
- ETS-Lindgren Antenna Measurement System

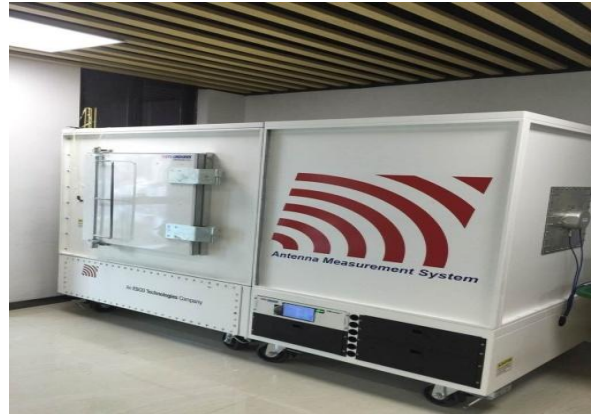
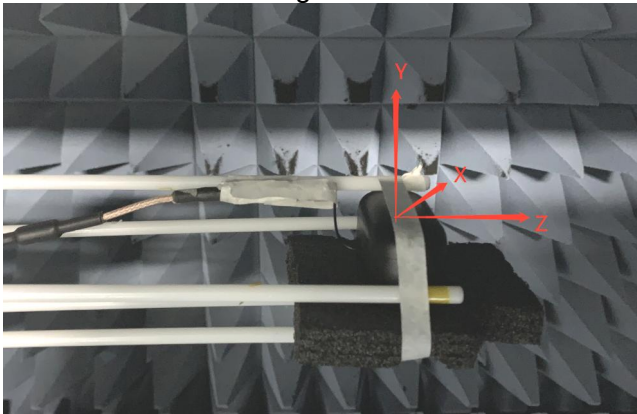


THIS DRAWINGS AND SPECIFICATIONS ARE THE PROPERTY OF SUNITEC ENTERPRISE CO., LTD. AND SHALL NOT BE REPRODUCED OR USED AS THE BASIS FOR THE MANUFACTURE OR SALE OF APPARATUS OR DEVICES WITHOUT PERMISSION

3.2 Antenna S11 parameters



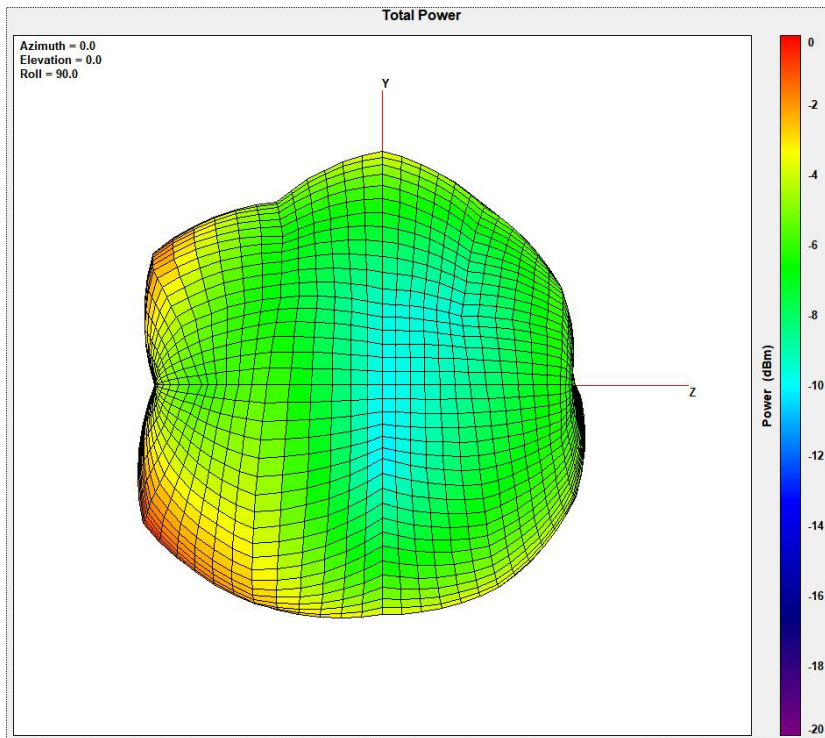
3.3 Antenna Test Settings:



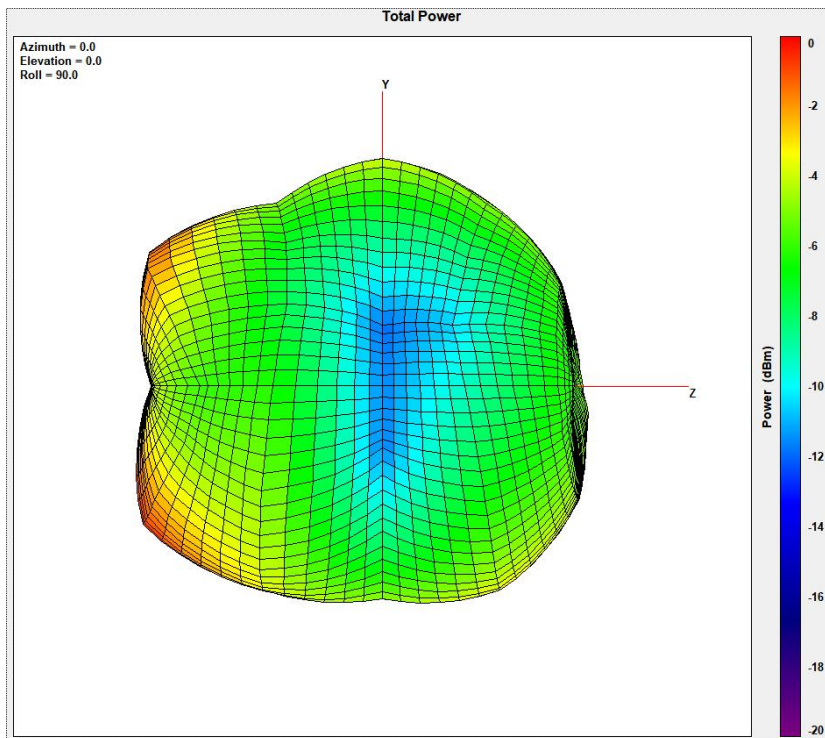
THIS DRAWINGS AND SPECIFICATIONS ARE THE PROPERTY OF SUNITEC ENTERPRISE CO.,LTD.AND SHALL NOT BE REPRODUCED OR USED AS THE BASIS FOR THE MANUFACTURE OR SALE OF APPARATUS OR DEVICES WITHOUT PERMISSION

3.4 3D Radiation Pattern :

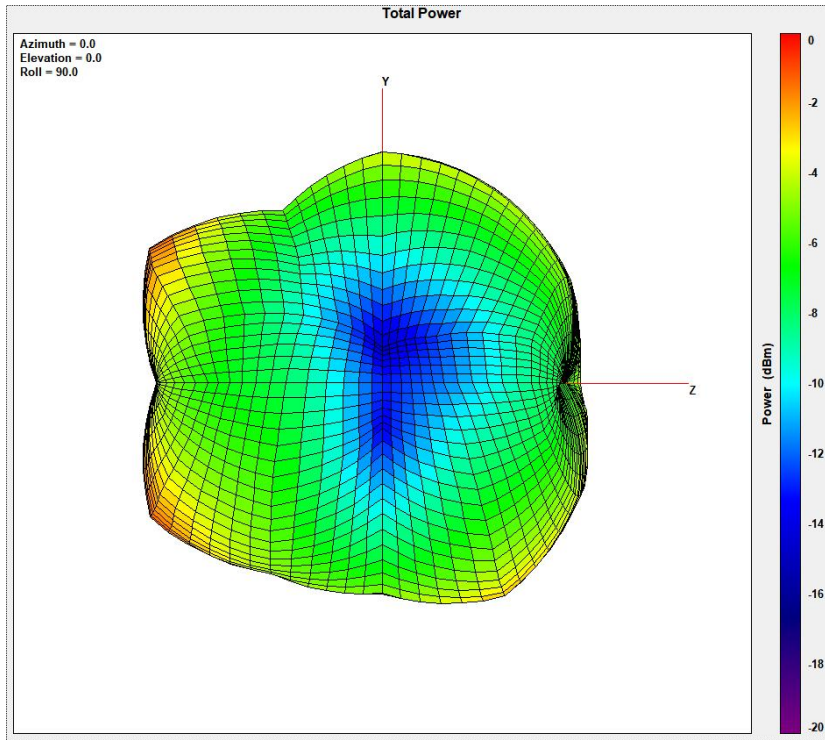
2402MHz



2441MHz



2480MHz



3.5 Electrical Characteristics:

Antenna Model Name	Stainless steel wire antenna
Working Frequency Range	2450+/-50MHz
Impedance	50Ω
Max Efficiency(%)	38.32%@2413MHz
Max peak Gain(dBi)	-0.01dBi@2441MHz
Max Average Gain(dBi)	-4.16dBi@2413MHz

Frequency(MHz)	Efficiency (%)	Average Gain(dBi)	Peak Gain (dBi)
2402	37.87	-4.21	-0.23
2441	36.28	-4.40	-0.01
2480	35.27	-4.52	-0.75

THIS DRAWINGS AND SPECIFICATIONS ARE THE PROPERTY OF SUNITEC ENTERPRISE CO.,LTD.AND SHALL NOT BE REPRODUCED OR USED AS THE BASIS FOR THE MANUFACTURE OR SALE OF APPARATUS OR DEVICES WITHOUT PERMISSION



深圳市丰禾原电子科技有限公司
SUNITEC ENTERPRISE CO.,LTD.