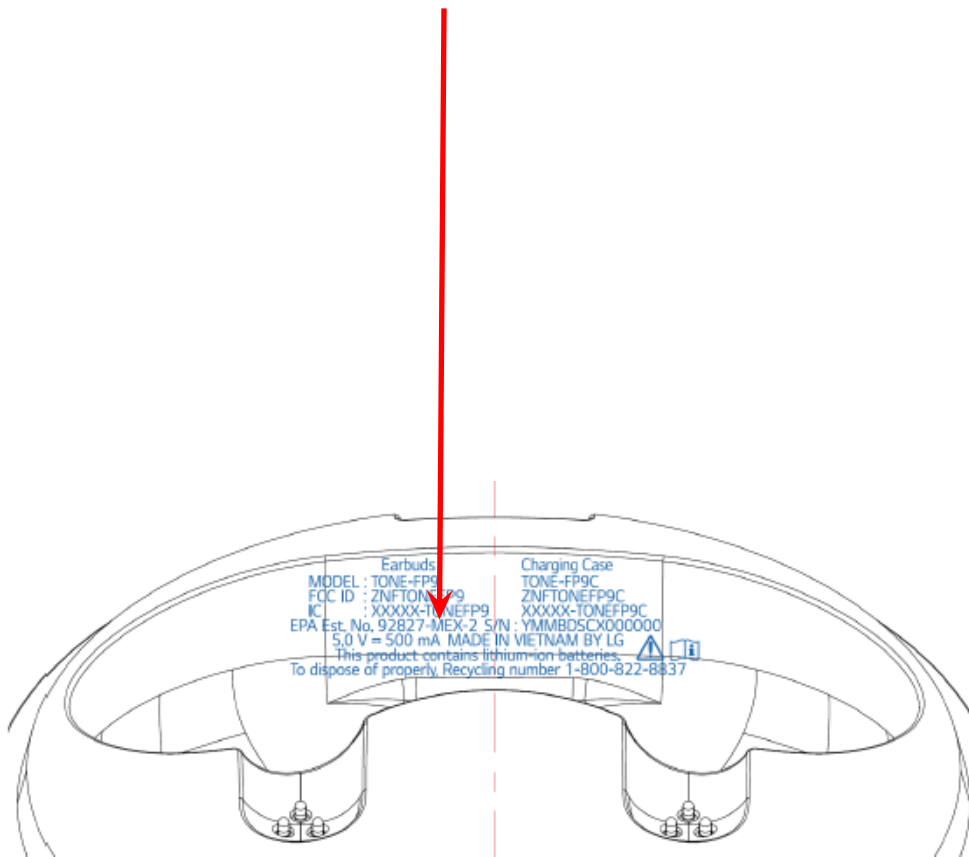


# IDENTIFICATION LABEL:

## PROPOSED LABEL

The Following Label shall be affixed on the inside of cradle

FCC ID: ZNFTONEFP9C  
IC: 2703C-TONEFP9C  
HVIN: TONE-FP9C

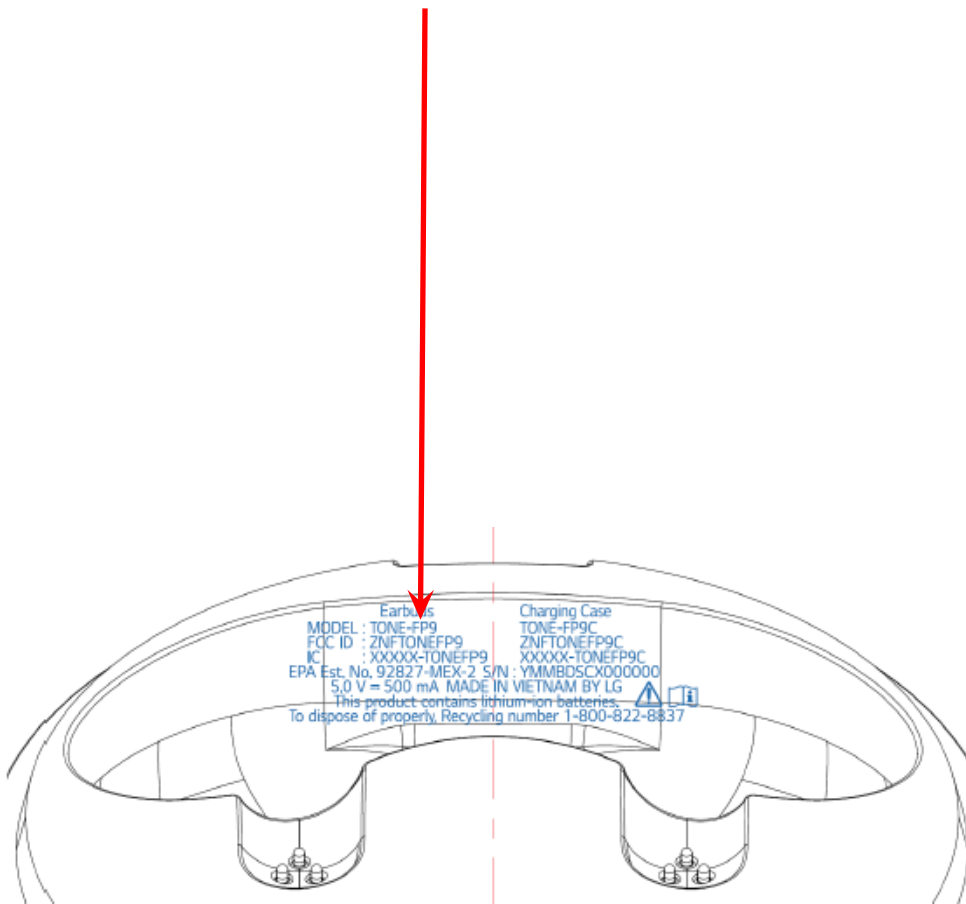


# IDENTIFICATION LABEL:

## PROPOSED LABEL

The Following Label shall be affixed on the inside of  
cradle

FCC ID: ZNFTONEFP9C  
IC: 2703C-TONEFP9C  
HVIN: TONE-FP9WC

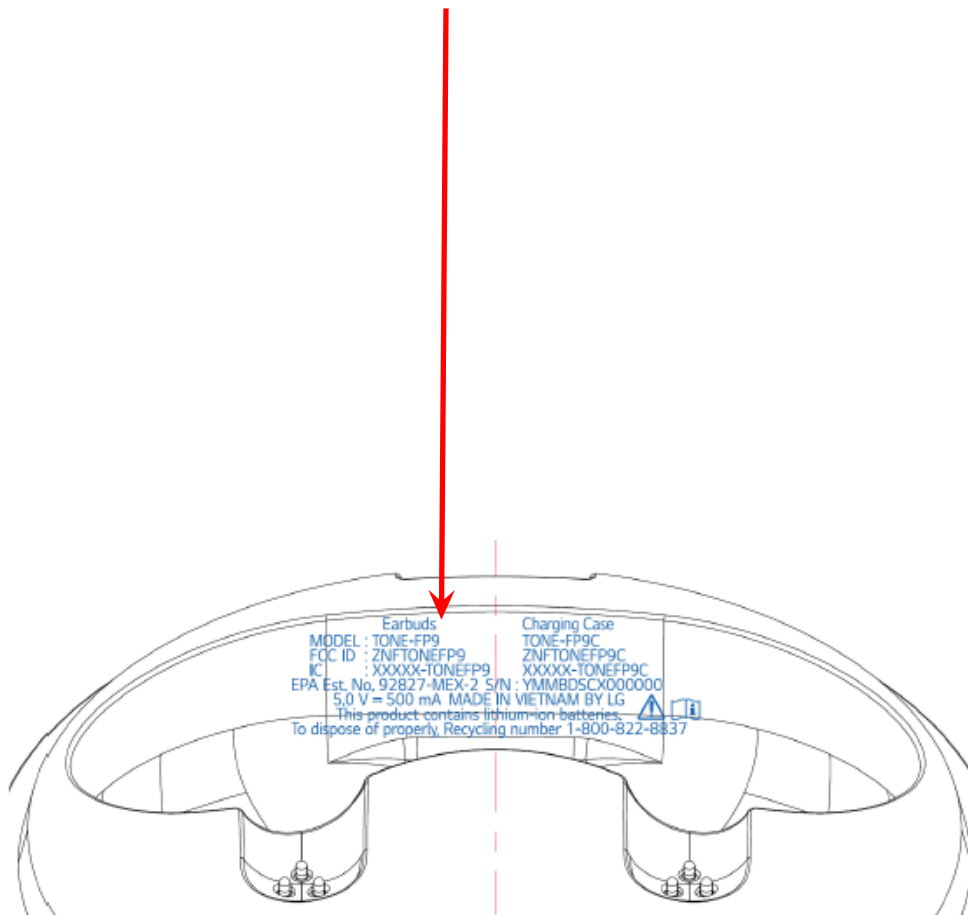


# IDENTIFICATION LABEL:

## PROPOSED LABEL

The Following Label shall be affixed on the inside of cradle

FCC ID: ZNFTONEFP9C  
IC: 2703C-TONEFP9C  
HVIN: TONE-FP9EC

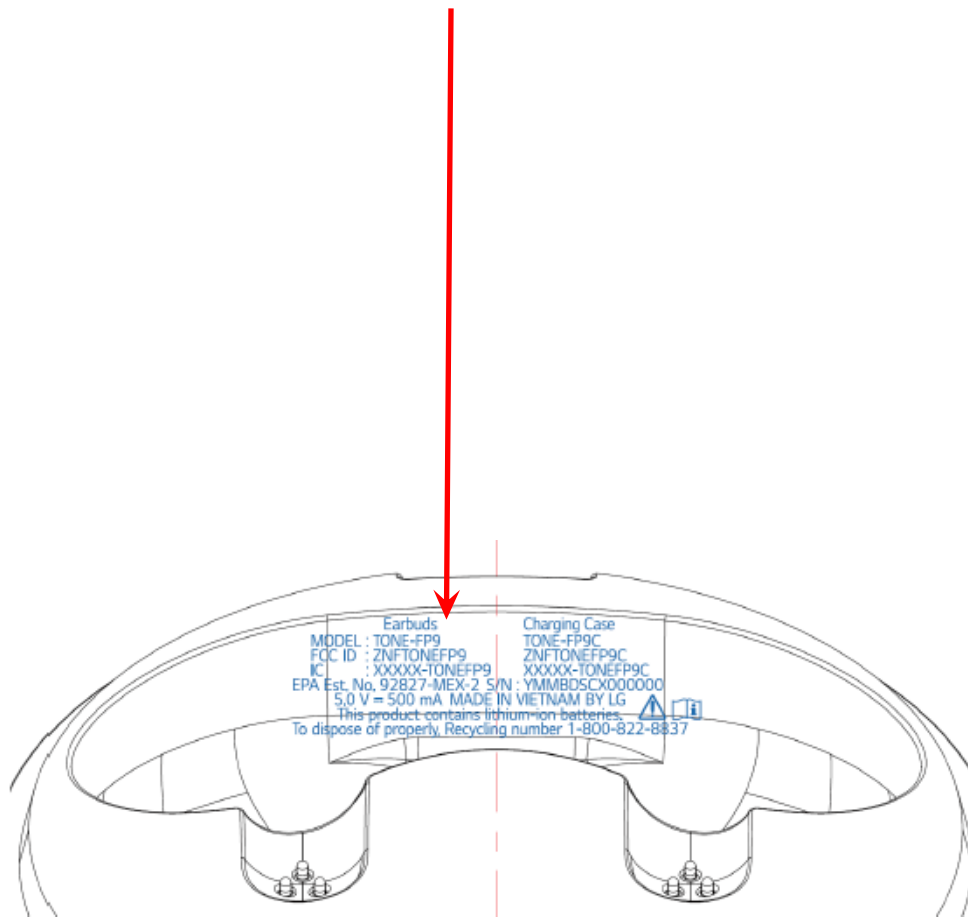


# IDENTIFICATION LABEL:

## PROPOSED LABEL

The Following Label shall be affixed on the inside of cradle

FCC ID: ZNFTONEFP9C  
IC: 2703C-TONEFP9C  
HVIN: TONE-TFP9C

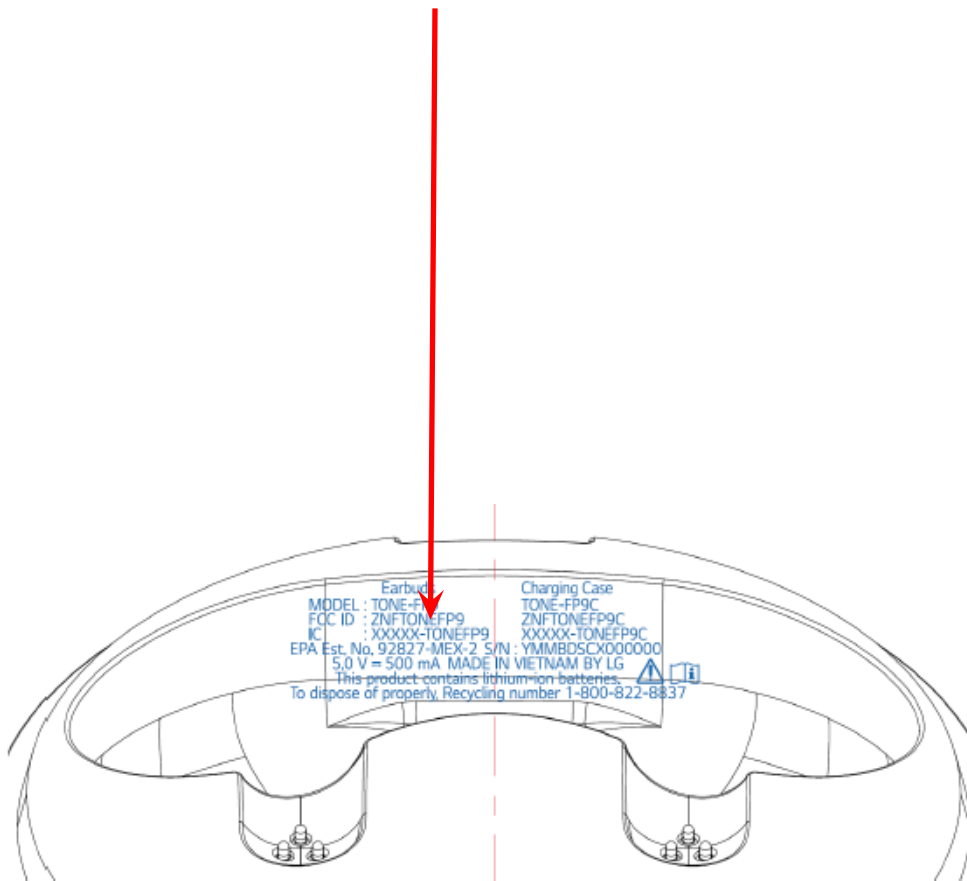


# IDENTIFICATION LABEL:

## PROPOSED LABEL

The Following Label shall be affixed on the inside of cradle

FCC ID: ZNFTONEFP9C  
IC: 2703C-TONEFP9C  
HVIN: TONE-TFP9WC

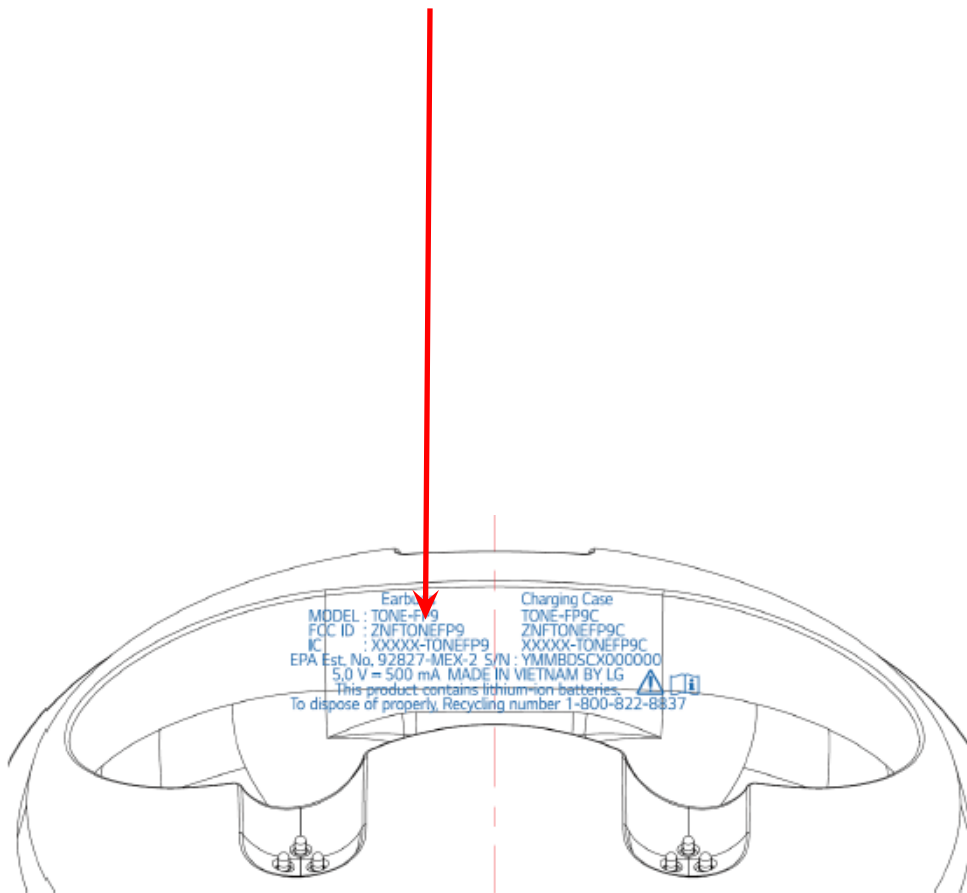


# IDENTIFICATION LABEL:

## PROPOSED LABEL

The Following Label shall be affixed on the inside of cradle

FCC ID: ZNFTONEFP9C  
IC: 2703C-TONEFP9C  
HVIN: TONE-TFP9EC

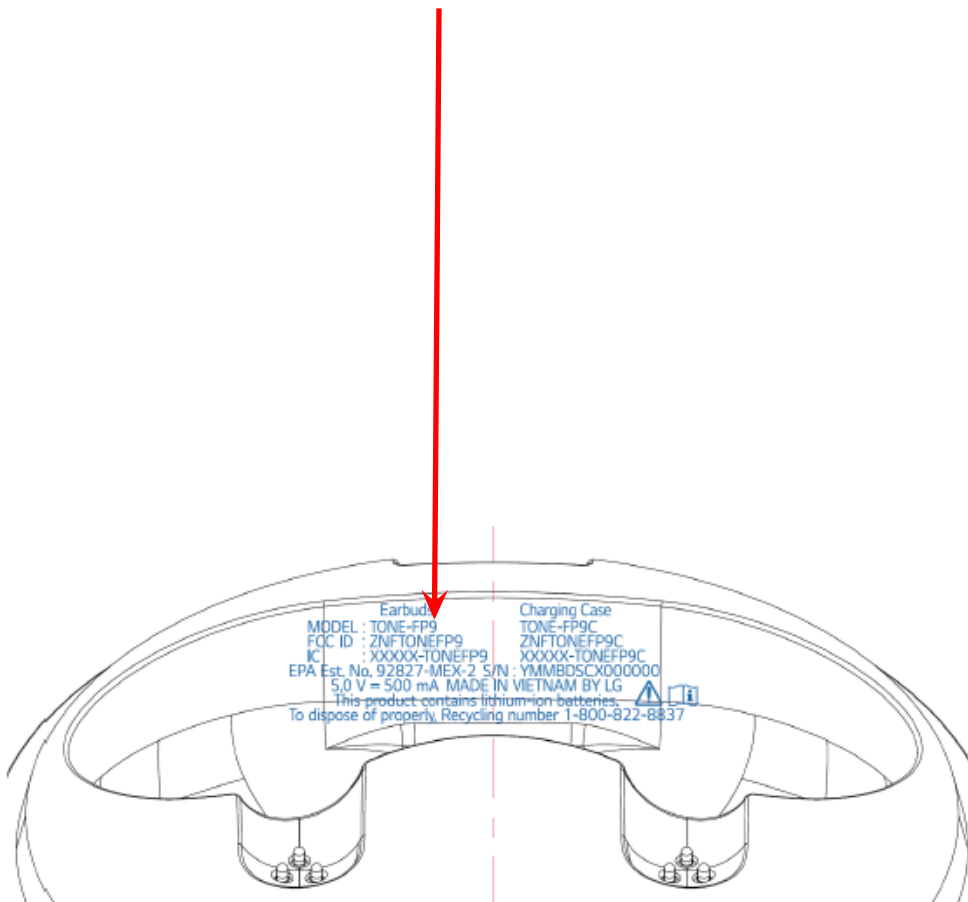


# IDENTIFICATION LABEL:

## PROPOSED LABEL

The Following Label shall be affixed on the inside of cradle

FCC ID: ZNFTONEFP9C  
IC: 2703C-TONEFP9C  
HVIN: TONE-UFP9C

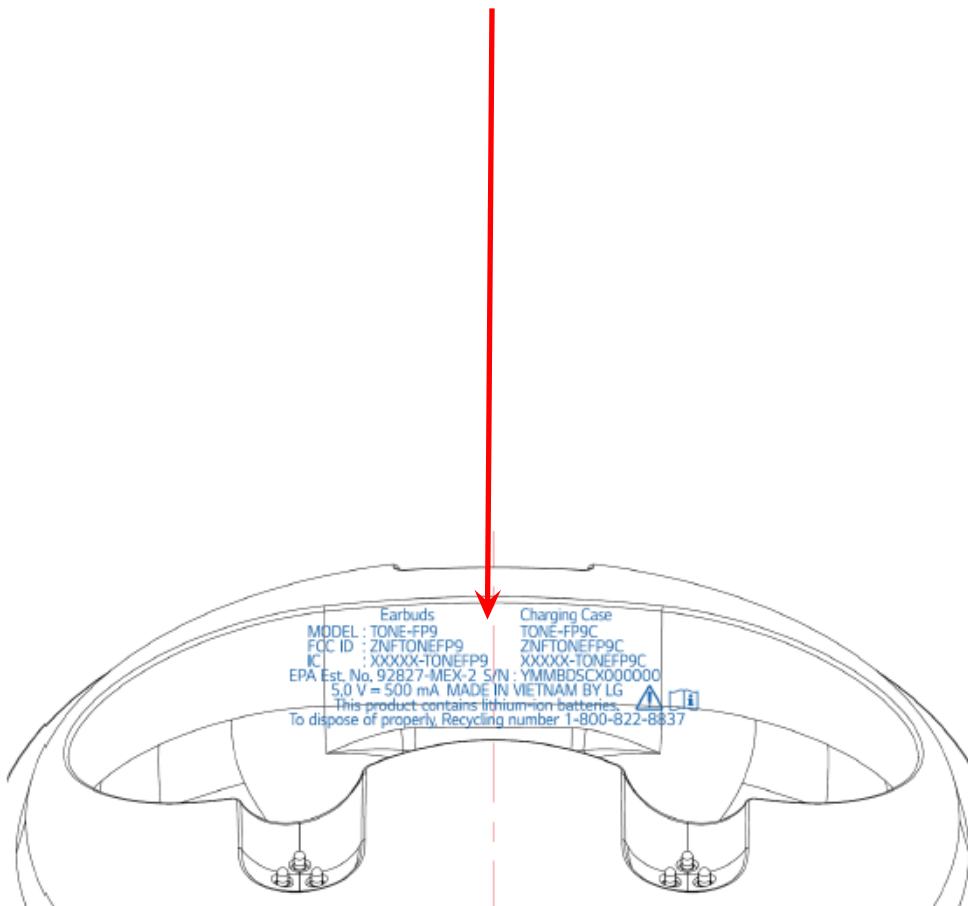


# IDENTIFICATION LABEL:

## PROPOSED LABEL

The Following Label shall be affixed on the inside of cradle

FCC ID: ZNFTONEFP9C  
IC: 2703C-TONEFP9C  
HVIN: TONE-UFP9WC



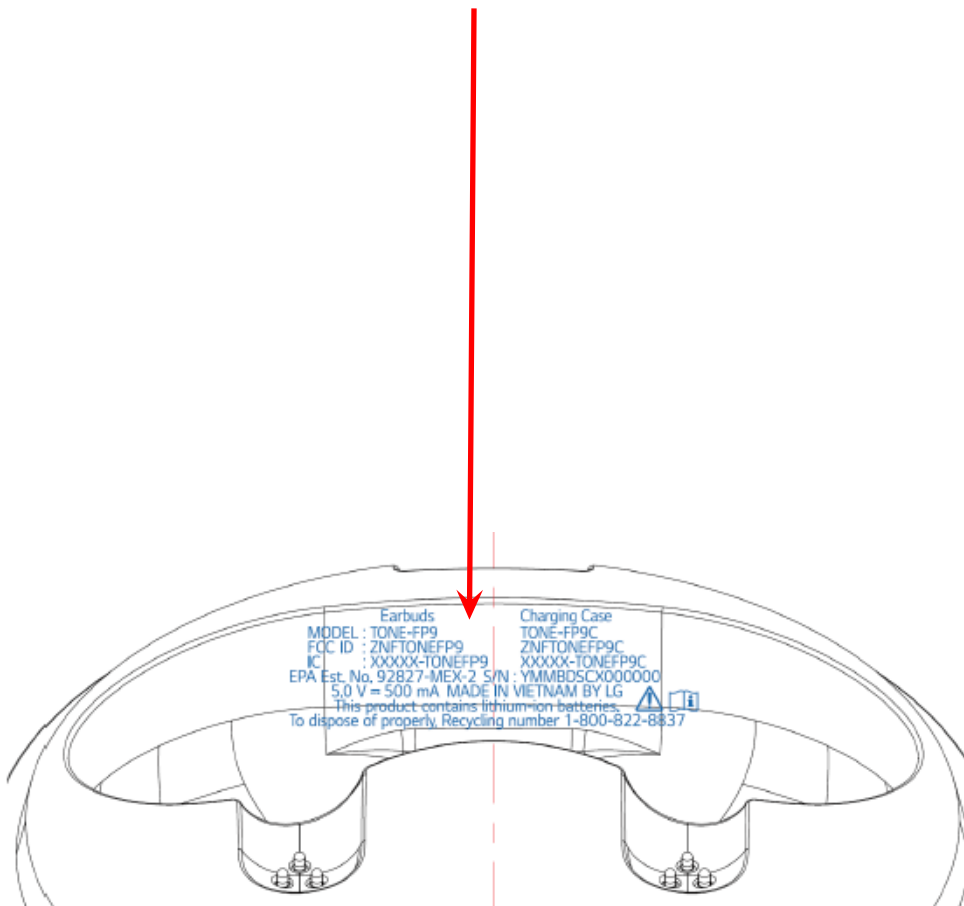


# IDENTIFICATION LABEL:

## PROPOSED LABEL

The Following Label shall be affixed on the inside of cradle

FCC ID: ZNFTONEFP9C  
IC: 2703C-TONEFP9C  
HVIN: TONE-UFP9EC

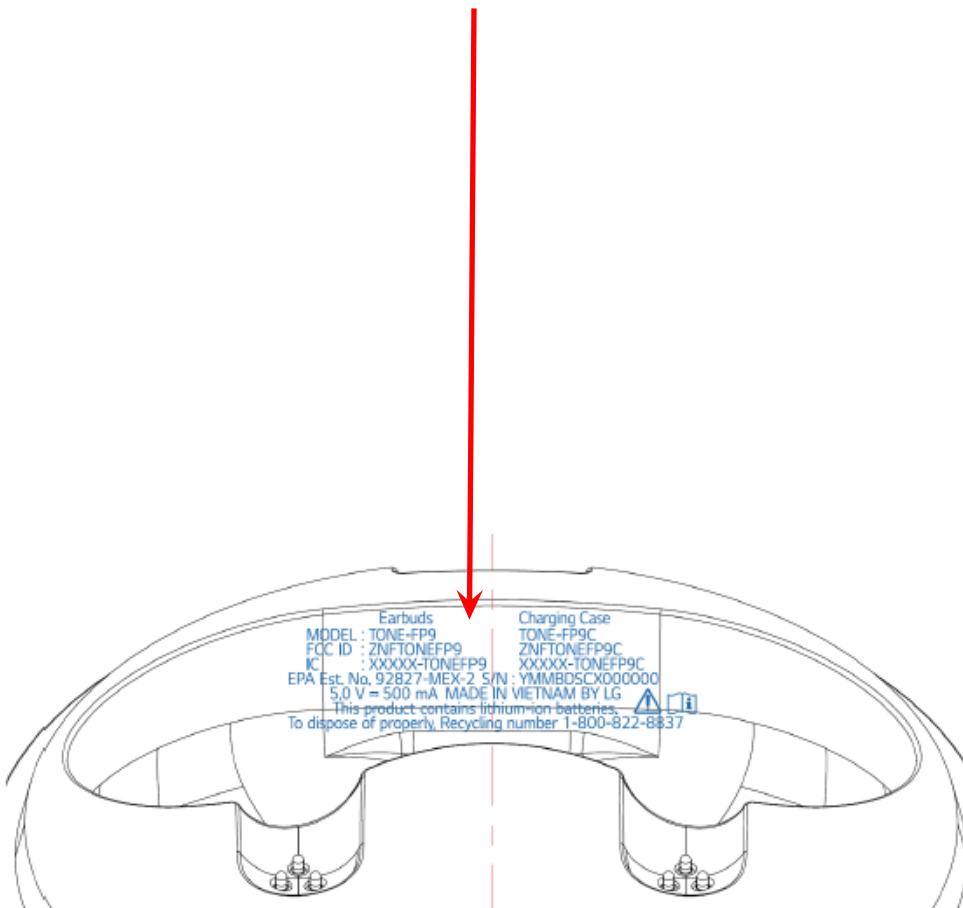


# IDENTIFICATION LABEL:

## PROPOSED LABEL

The Following Label shall be affixed on the inside of cradle

FCC ID: ZNFTONEFP9C  
IC: 2703C-TONEFP9C  
HVIN: TONE-DFP9C

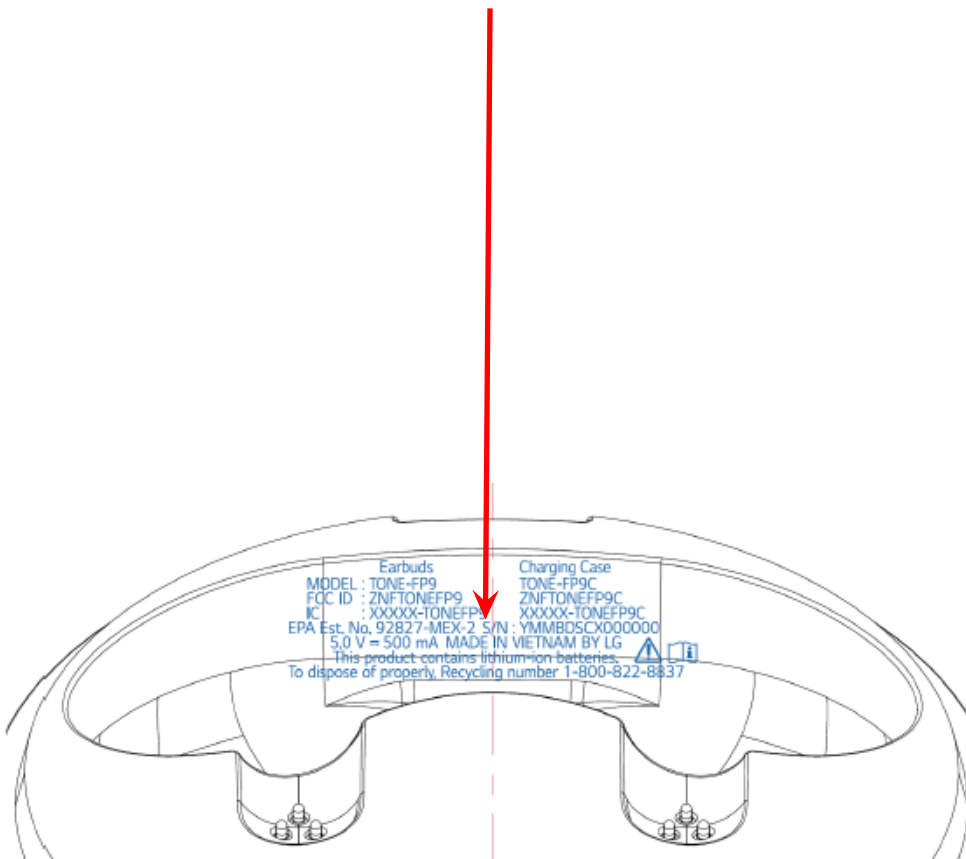


# IDENTIFICATION LABEL:

## PROPOSED LABEL

The Following Label shall be affixed on the inside of cradle

FCC ID: ZNFTONEFP9C  
IC: 2703C-TONEFP9C  
HVIN: TONE-DFP9WC

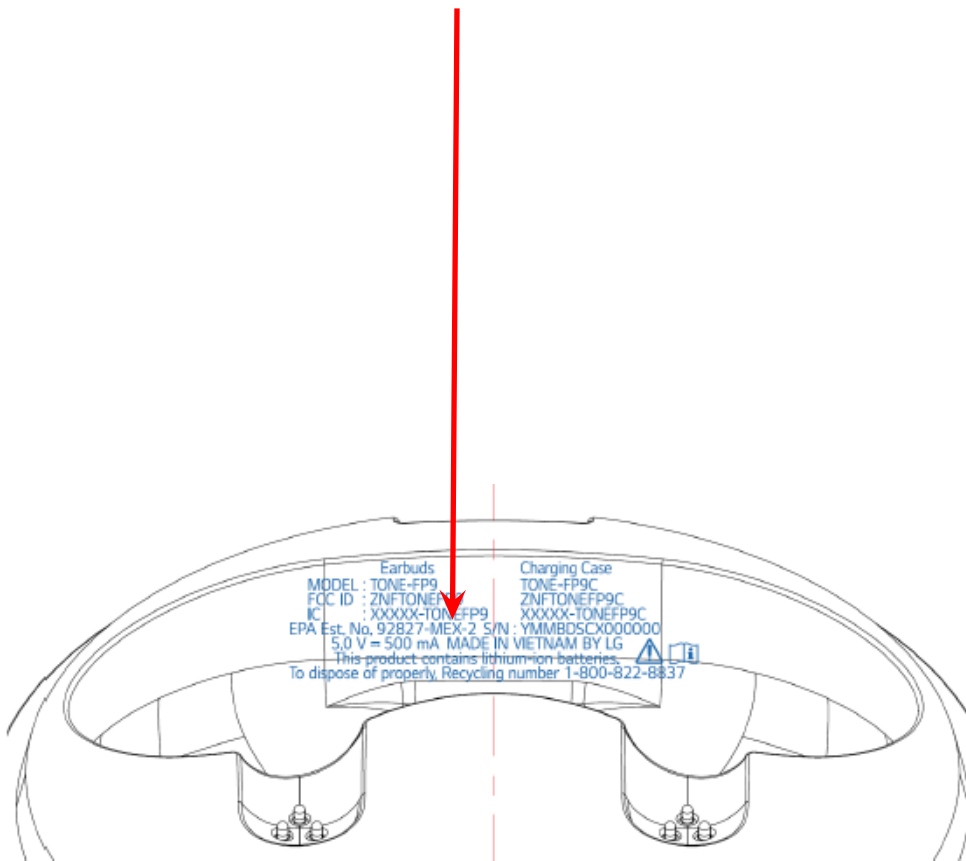


# IDENTIFICATION LABEL:

## PROPOSED LABEL

The Following Label shall be affixed on the inside of cradle

FCC ID: ZNFTONEFP9C  
IC: 2703C-TONEFP9C  
HVIN: TONE-DFP9EC

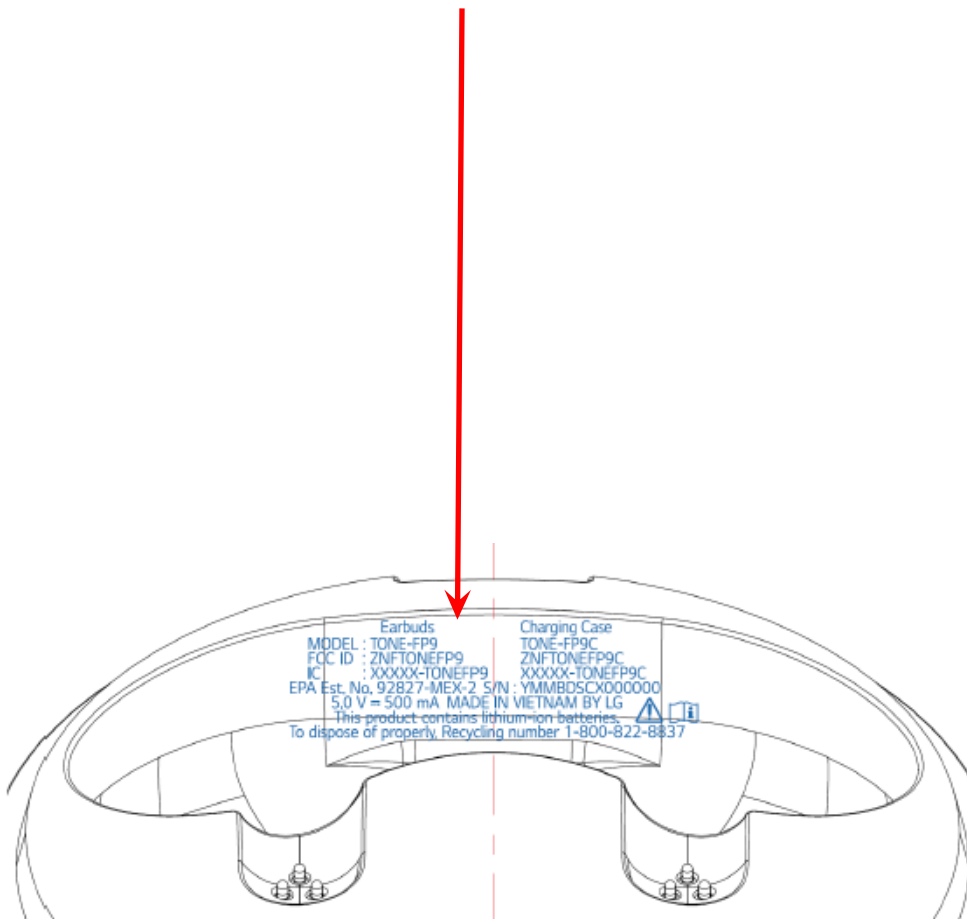


# IDENTIFICATION LABEL:

## PROPOSED LABEL

The Following Label shall be affixed on the inside of cradle

FCC ID: ZNFTONEFP9C  
IC: 2703C-TONEFP9C  
HVIN: TONE-FP9AC

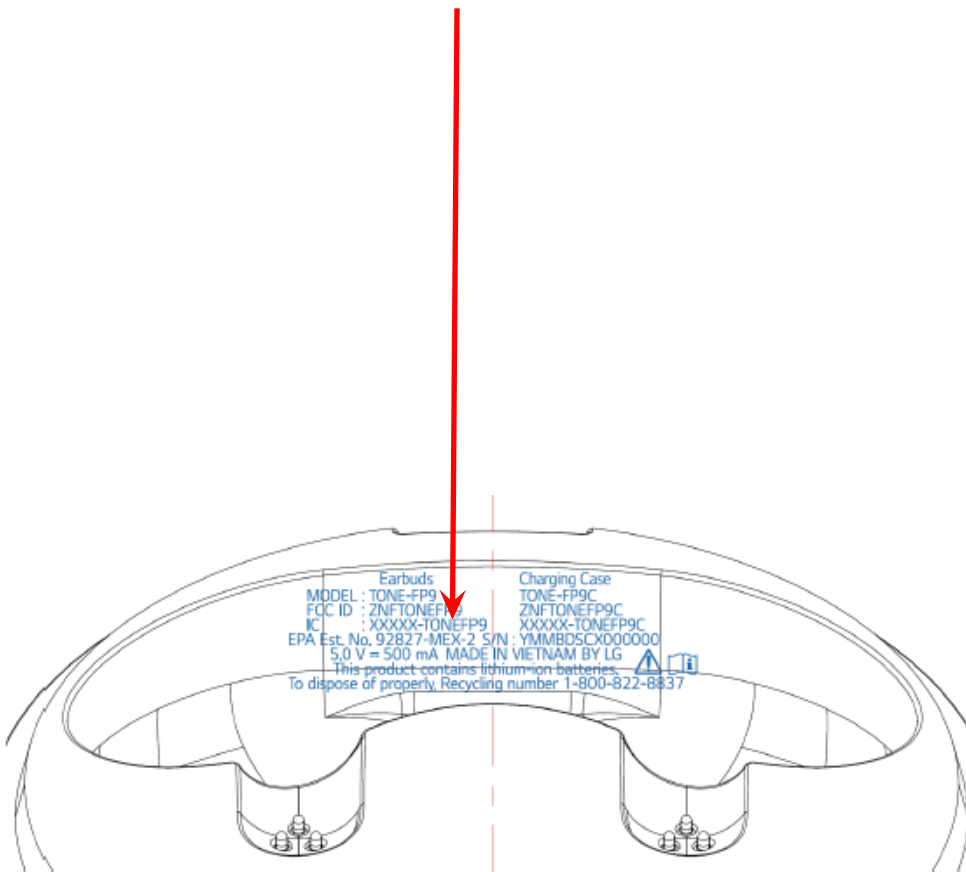


# IDENTIFICATION LABEL:

## PROPOSED LABEL

The Following Label shall be affixed on the inside of cradle

FCC ID: ZNFTONEFP9C  
IC: 2703C-TONEFP9C  
HVIN: TONE-FP9WAC



# IDENTIFICATION LABEL:

## PROPOSED LABEL

The Following Label shall be affixed on the inside of cradle

FCC ID: ZNFTONEFP9C  
IC: 2703C-TONEFP9C  
HVIN: TONE-FP9EAC

