

# TEST REPORT

EMI Test for FCC Certification of LM-T600TS Model

APPLICANT

LG Electronics USA, Inc.

REPORT NO.

HCT-EM-2002-FC002

DATE OF ISSUE

February 05, 2020

**HCT Co., Ltd.**

74, Seoicheon-ro 578beon-gil, Majang-myeon, Icheon-si, Gyeonggi-do, 17383 KOREA  
Tel. +82 31 645 6300 Fax. +82 31 645 6401



**HCT Co., Ltd.**

74, Seoicheon-ro 578beon-gil, Majang-myeon, Icheon-si, Gyeonggi-do, 17383 KOREA  
Tel. +82 31 645 6300 Fax. +82 31 645 6401

<b>TEST REPORT</b> EMI Test for FCC Certification	<b>REPORT NO.</b> HCT-EM-2002-FC002
	<b>DATE OF ISSUE</b> February 05, 2020
	<b>FCC ID</b> ZNFT600TS

<b>Applicant</b>	<b>LG Electronics USA, Inc.</b> 1000 Sylvan Avenue, Englewood Cliffs NJ 07632 United States
<b>Product Name</b>	Multi-band WCDMA/LTE Tablet with BT and WiFi
<b>Model Name</b>	LM-T600TS
<b>Series Model Name</b>	Refer to the clause 1.1 Description of EUT
<b>Travel Adaptor Information</b>	Model name: MCS-H06WA Manufacturer: AOHA1
<b>Date of Test</b>	January 15, 2020 to January 22, 2020
<b>Test Standard Used</b>	FCC CFR 47 PART 15 Subpart B Class B ANSI C63.4-2014
<b>Test Results</b>	Refer to the present document
<b>Manufacturer</b>	LG Electronics Inc.

The result shown in this test report refer only to the sample(s) tested unless otherwise stated.

**Tested by**  
Na-Eun Song (signature)

**Technical Manager**  
Jeong-Hyun Choi (signature)

## REVISION HISTORY

The revision history for this test report is shown in table.

Revision No.	Date of Issue	Description
0	February 05, 2020	Initial Release

The device bearing the trade name and model specified above, has been shown to comply with the applicable technical standards as indicated in the measurement report and was tested in accordance with the measurement procedures specified in ANSI C63.4-2014. (See Test Report if any modifications were made for compliance)  
I attest to the accuracy of data. All measurements reported herein were performed by me or were made under my supervision and are correct to the best of my knowledge and belief. I assume full responsibility for the completeness of these measurements and vouch for the qualifications of all persons taking them.  
HCT certifies that no party to application has been denied the FCC benefits pursuant to Section 5301 of the Anti-Drug Abuse Act of 1988, 21 U.S.C 862

This Test Report is not related to the accredited test result by KOLAS(Korea Laboratory Accreditation Scheme) / A2LA(American Association for Laboratory Accreditation), which signed the ILAC-MRA.

## CONTENTS

1. GENERAL INFORMATION	5
1.1 Description of EUT	5
1.2 Tested System Details	5
1.3 Cable Description	6
1.4 Noise Suppression Parts on Cable. (I/O Cable)	6
1.5 Test Facility	7
1.6 Calibration of Measuring Instrument	7
1.7 Measurement Uncertainty	7
2. DESCRIPTION OF TEST	8
2.1 Measurement of Conducted Emission	8
2.2 Measurement of Radiated Emission	9
2.3 Configuration of Tested System	10
3. PRELIMINARY TEST	11
3.1 Conducted Emission	11
3.2 Radiated Emission	11
4. CONDUCTED EMISSION AND RADIATED EMISSION TEST SUMMARY	12
4.1 Conducted Emission	12
4.2 Radiated Emission Below 1 GHz	19
4.3 Radiated Emission Above 1 GHz	21
5. CONCLUSION	24
6. APPENDIX A. TEST SETUP PHOTO	25

## 1. GENERAL INFORMATION

### 1.1 Description of EUT

<b>FCC ID</b>	ZNFT600TS
<b>Model Name</b>	LM-T600TS
<b>Series Model Name</b>	LMT600TS, T600TS
<b>Product Name</b>	Multi-band WCDMA/LTE Tablet with BT and WiFi
<b>TX Frequency</b>	1 852.4 MHz to 1 907.6 MHz (WCDMA B2) 1712.4 MHz to 1752.6 MHz (WCDMA B4) 826.40 MHz to 846.60 MHz (WCDMA B5) 1 850 MHz to 1 910 MHz (LTE B2) 1 710 MHz to 1 755 MHz (LTE B4) 824 MHz to 849 MHz (LTE B5) 699 MHz to 716 MHz (LTE B12) 777 MHz to 787 MHz (LTE B13) 1 850 MHz to 1 915 MHz (LTE B25) 814 MHz to 849 MHz (LTE B26) 2 496 MHz to 2 690 MHz (LTE B41) 1 710 MHz to 1 780 MHz (LTE B66) 663 MHz to 698 MHz (LTE B71) 2 402 MHz to 2 480 MHz (Bluetooth) 2 412 MHz to 2 462 MHz (WiFi 2.4 GHz) 5 180 MHz to 5 240 MHz (WiFi 5 GHz_UNII 1) 5 260 MHz to 5 320 MHz (WiFi 5 GHz_UNII 2A) 5 500 MHz to 5 720 MHz (WiFi 5 GHz_UNII 2C) 5 745 MHz to 5 825 MHz (WiFi 5 GHz_UNII 3)
<b>RX Frequency</b>	1 932.4 MHz to 1 987.6 MHz (WCDMA B2) 2 112.4 MHz to 2 152.6 MHz (WCDMA B4) 871.40 MHz to 891.60 MHz (WCDMA B5) 1 930 MHz to 1 990 MHz (LTE B2) 2 110 MHz to 2 155 MHz (LTE B4) 869 MHz to 894 MHz (LTE B5) 729 MHz to 746 MHz (LTE B12) 746 MHz to 756 MHz (LTE B13) 1 925 MHz to 1 990 MHz (LTE B25) 859 MHz to 894 MHz (LTE B26) 2 496 MHz to 2 690 MHz (LTE B41) 2 110 MHz to 2 200 MHz (LTE B66) 617 MHz to 652 MHz (LTE B71) 2 402 MHz to 2 480 MHz (Bluetooth) 2 412 MHz to 2 462 MHz (WiFi 2.4 GHz) 5 180 MHz to 5 240 MHz (WiFi 5 GHz_UNII 1) 5 260 MHz to 5 320 MHz (WiFi 5 GHz_UNII 2A) 5 500 MHz to 5 720 MHz (WiFi 5 GHz_UNII 2C) 5 745 MHz to 5 825 MHz (WiFi 5 GHz_UNII 3)

### 1.2 Tested System Details

All equipment descriptions used in the tested system (including inserted cards) are:

Device Type	Model Name	Serial Number	Manufacturer
EUT	LM-T600TS	-	LG
Travel Adaptor	MCS-H06WA	-	AOHAI
Data Cable	EAD64746102	-	LUXSHARE
Earphone	EAB64468444	-	CRESYN
Micro SD Card	SAMSUNG EVO+ microSDXC CLASS10 UHS- I (256 GB)	-	SAMSUNG

### 1.3 Cable Description

Product Name	Port	Power Cord Shielded (Y/N)	I/O Cable Shielded (Y/N)	Length (m)
EUT	USB Type C	Y	N/A	(P) 1.0
	Earphone	N/A	N	(D) 1.2

NOTE. The marked "(D)" means the data cable and "(P)" means the power cable.

### 1.4 Noise Suppression Parts on Cable (I/O Cable)

Product Name	Port	Ferrite Bead (Y/N)	Location	Metal Hood (Y/N)	Location
EUT	USB Type C	N	N/A	Y	Both End
	Earphone	N	N/A	Y	EUT End

### 1.5 Test Facility

Test site is located at 74, Seoicheon-ro 578beon-gil, Majang-myeon, Icheon-si, Gyeonggi-do, South Korea. Those measurement facilities are constructed in conformance with the requirements of ANSI C63.4-2014. The Normalized site attenuations (30 MHz to 1 GHz) and Site validation (1 GHz to 18 GHz) were performed in accordance with the standard in ANSI C63.4-2014

Measurement Facilities	Designation No.
Radiated Field strength measurement facility 3 m Semi Anechoic chamber	KR0032
Radiated Field strength measurement facility 10 m Semi Anechoic chamber #1	
Radiated Field strength measurement facility 10 m Semi Anechoic chamber #2	

### 1.6 Calibration of Measuring Instrument

The measuring equipment, which was utilized in performing the tests documented herein, has been calibrated in accordance with the manufacturers recommendations for utilizing calibration equipment, which is traceable to recognized national standards. Especially, all antenna for measurement is calibrated in accordance with the requirements of C63.5:2017

### 1.7 Measurement Uncertainty

The measurement uncertainties shown below were calculated in accordance with the requirements of ANSI C63.4-2014. All measurement uncertainty values are shown with a coverage factor of  $k = 2$  to indicate a 95 % level of confidence. The measurement data shown herein meets or exceeds the  $U_{CISPR}$  measurement uncertainty values specified in CISPR 16-4-2 and, thus, can be compared directly to specified limits to determine compliance.

Parameter	Expanded Uncertainty
Conducted Emission (0.15 MHz to 30 MHz)	1.8 dB
3 m Radiated Emissions (30 MHz to 1 GHz)	4.8 dB
3 m Radiated Emissions (1 GHz to 18 GHz)	5.4 dB
3 m Radiated Emissions (18 GHz to 40 GHz)	5.7 dB

## 2. DESCRIPTION OF TEST

### 2.1 Measurement of Conducted Emission

The test procedure was in accordance with ANSI C63.4-2014, Clause 7.3

- a. The EUT was placed 0.4 meters from the conducting wall of the shielded room with EUT being connected to the power mains through a line impedance stabilization network (LISN).  
 If the EUT is connected to the PC through USB, the AC power-line adapter of the PC is directly connected to a line impedance stabilization network (LISN).  
 Other support units were connected to the power mains through another LISN. The two LISNs provide 50 Ohm/ 50uH of coupling impedance for the measuring instrument.
- b. Both conducted lines are measured in Quasi-Peak and Average mode, including the worst-case data points for each tested configuration.
- c. The frequency range from 150 kHz to 30 MHz was searched.

#### Conducted Emission Limits

Frequency (MHz)	Resolution Bandwidth (kHz)	Class A		Class B	
		Quasi-Peak (dBµV)	Average (dBµV)	Quasi-Peak (dBµV)	Average (dBµV)
0.15 to 0.5	9	79	66	66 to 56*	56 to 46*
0.5 to 5	9	73	60	56	46
5 to 30	9	73	60	60	50

NOTE. Decreases with the logarithm of the frequency.



## 2.2 Measurement of Radiated Emission

The test procedure was in accordance with ANSI C63.4-2014, Clause 8.3

- a. The EUT was placed on the top of a turn table 0.8 meters above the ground at a semi-anechoic chamber. The table was rotated 360 degrees to determine the position of the highest radiation.
- b. The EUT was set 3 m away from the interference-receiving antenna, which was mounted on the top of a variable-height antenna tower.
- c. The antenna height is varied from 1 m to 4 m above the ground to determine the maximum value of the field strength. Both horizontal and vertical polarizations of the antenna are set to make the measurement.
- d. For each suspected emission, the EUT was arranged to its worst case and then the antenna was tuned to heights from 1 m to 4 m and the turn table was turned from 0 degrees to 360 degrees to find the maximum reading.
- e. The test-receiver system was set to Quasi-Peak detect function and specified bandwidth with maximum hold mode when the test frequency is below 1 GHz.
- f. The test-receiver system was set to Peak and Average detect function and specified bandwidth with maximum hold mode when the test frequency is above 1 GHz.
- g. Place the measurement antenna away from each area of the EUT determined to be a source of emissions at the specified measurement distance, while keeping the measurement antenna aimed at the source of emissions at each frequency of significant emissions, with polarization oriented for maximum response.  
(1 GHz to 40 GHz)

### Radiated Emission Limits

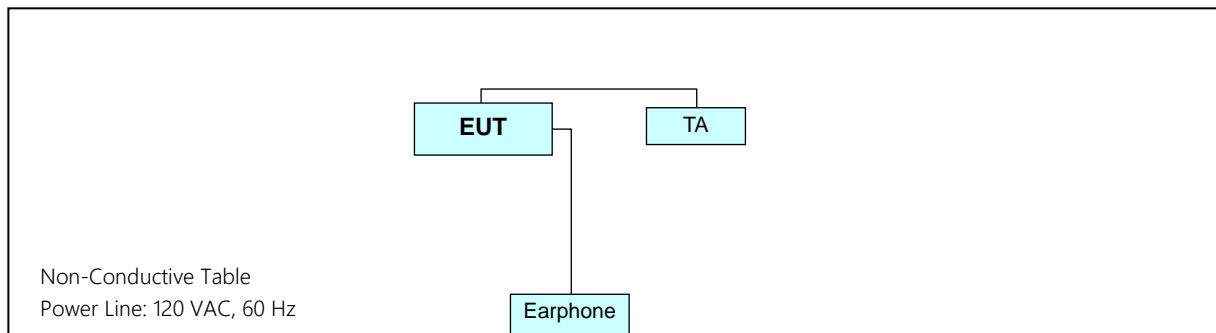
Frequency (MHz)	Class A			Class B		
	Antenna Distance (m)	Field Strength (µV/m)	Quasi-Peak (dBµV/m)	Antenna Distance (m)	Field Strength (µV/m)	Quasi-Peak (dBµV/m)
30 to 88	10	90	39.0	3	100	40.0
88 to 216	10	150	43.5	3	150	43.5
216 to 960	10	210	46.4	3	200	46.0
Above 960	10	300	49.5	3	500	54.0
Frequency (MHz)	Antenna Distance (m)	Class A		Class B		
		Peak (dBµV/m)	Average (dBµV/m)	Peak (dBµV/m)	Average (dBµV/m)	
Above 1 000	3	80	60	74	54	

### 2.2.1 Frequency Range of Radiated Measurements

An unintentional radiator, including a digital device, the spectrum shall be investigated from the lowest radio frequency signal generated or used in the device, without going below the lowest frequency for which a Radiated Emission limit is specified, up to the frequency shown in the following table

Highest frequency generated or used in the device or on which the device operates or tunes (MHz)	Upper frequency of measurement range (MHz)
Below 1.705	30
1.705 to 108	1 000
108 to 500	2 000
500 to 1 000	5 000
Above 1 000	5th harmonic of the highest frequency or 40 GHz, whichever is lower

### 2.3 Configuration of Tested System



### 3. PRELIMINARY TEST

#### 3.1 Conducted Emission

It was tested the following operating mode, after connecting all peripheral devices.

**Operating Modes:** FRONT CAMERA & MP3 mode

REAR CAMERA mode

IDLE mode

NOTE. The worst-case emissions are reported.

#### 3.2 Radiated Emission

It was tested the following operating mode, after connecting all peripheral devices.

**Operating Modes:** FRONT CAMERA & MP3 mode

REAR CAMERA mode

IDLE mode

NOTE. The worst-case emissions are reported.

## 4. CONDUCTED EMISSION AND RADIATED EMISSION TEST SUMMARY

### 4.1 Conducted Emission

#### 4.1.1 Measuring instruments

Type	Manufacturer	Model Name	Serial Number	Calibration Cycle	Calibration Date
<input checked="" type="checkbox"/> EMI Test Receiver	Rohde & Schwarz	ESCI	100584	1 year	06.18.2019
<input checked="" type="checkbox"/> LISN	Rohde & Schwarz	ENV216	102245	1 year	09.11..2019
<input checked="" type="checkbox"/> Software	Rohde & Schwarz	EMC32	-	-	-

#### 4.1.2 Operating Condition

The test results of conducted emission at mains ports provide the following information:

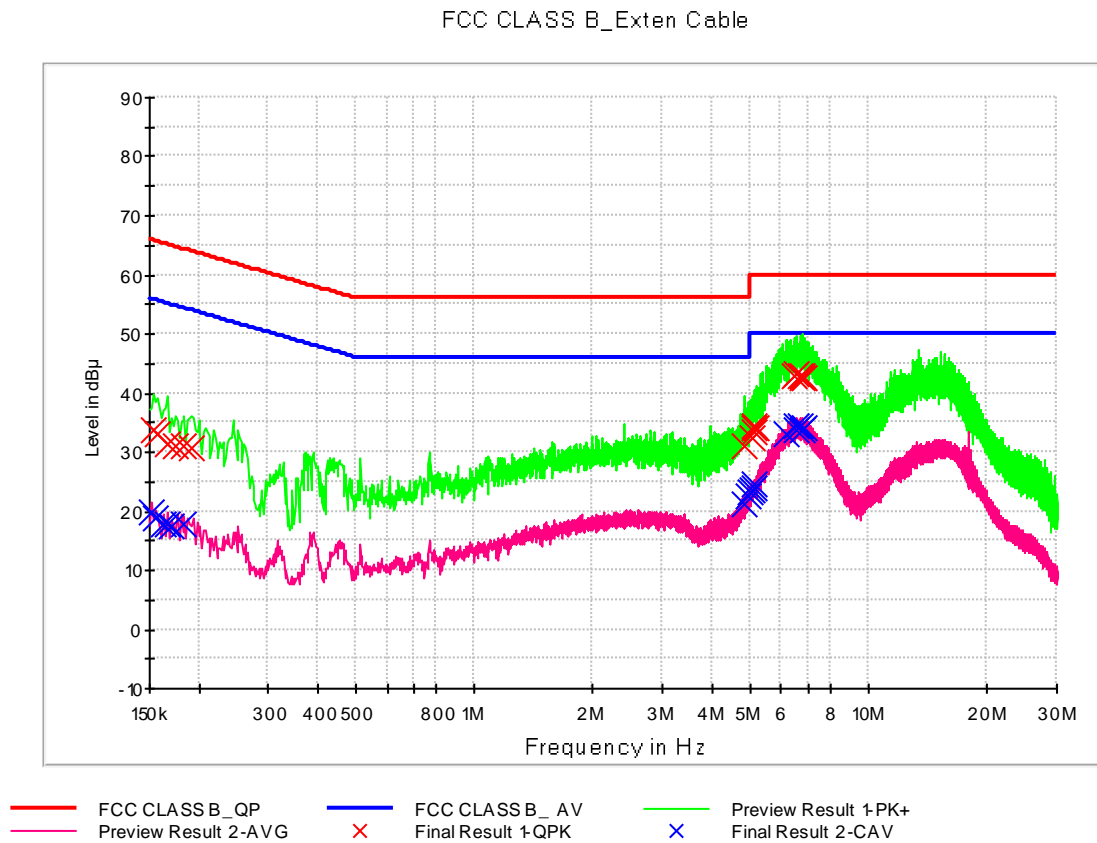
Test Standard Used	FCC CFR 47 PART 15 Subpart B Class B ANSI C63.4-2014
Frequency Range	150 kHz to 30 MHz
Detector	Quasi-Peak, CISPR-Average
Bandwidth	9 kHz (6 dB)
Worst Case of Operating Mode	REAR CAMERA mode
Kind of Test Site	EMI Shielded Room
Temperature	21.6 °C
Relative Humidity	42.2 %
Test Date	January 17, 2020

#### Calculation Formula:

1. Conductor L1 = Hot, Conductor N = Neutral
2. Corr. = LISN Factor + Cable Loss
3. QuasiPeak or CAverage= Receiver Reading + Corr.
4. Margin = Limit – QuasiPeak or CAverage

### 4.1.3 Measuring Data

Figure 1: Conducted Emission (150 kHz to 30 MHz), Line (L1)



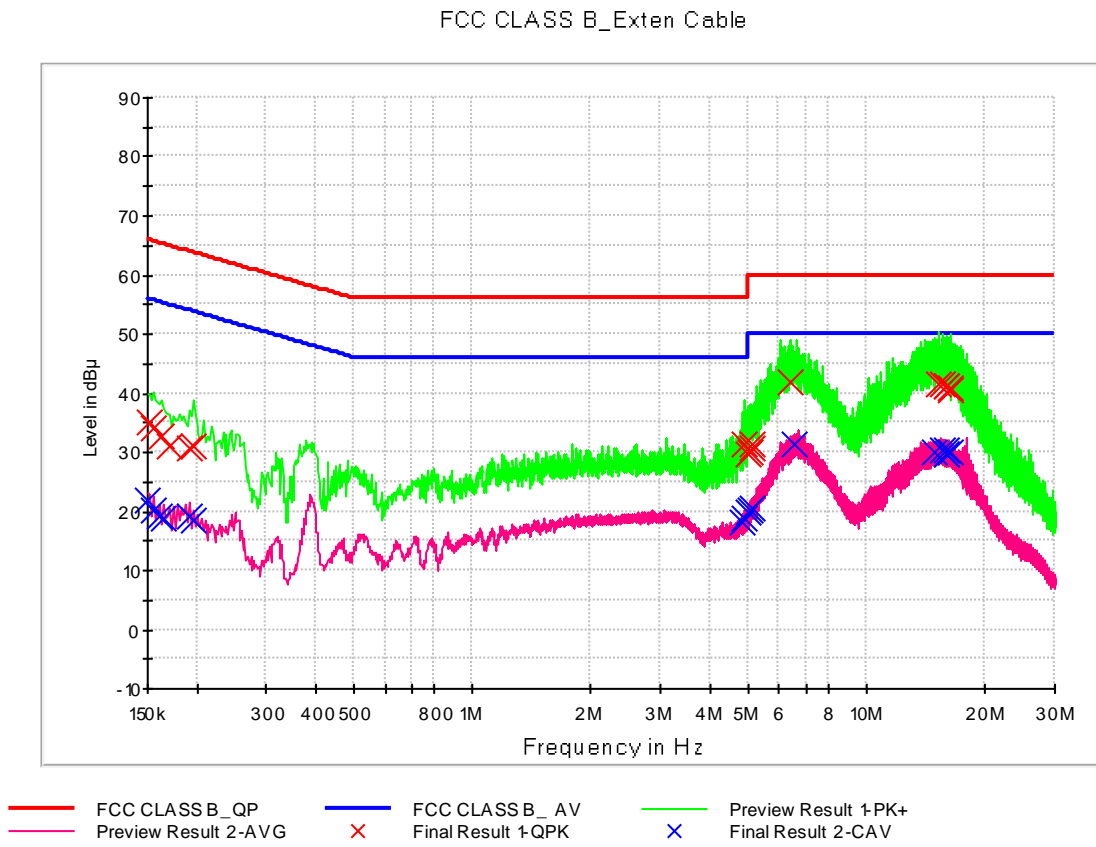
## QuasiPeak Final Result, Line (L1)

Frequency (MHz)	QuasiPeak (dB $\mu$ V)	Bandwidth (kHz)	Line	Corr. (dB)	Margin (dB)	Limit (dB $\mu$ V)
0.154000	33.9	9.000	L1	9.8	31.9	65.8
0.158000	33.0	9.000	L1	9.8	32.6	65.6
0.166000	31.3	9.000	L1	9.8	33.8	65.2
0.174000	30.9	9.000	L1	9.8	33.9	64.8
0.184000	30.9	9.000	L1	9.8	33.4	64.3
0.192000	30.7	9.000	L1	9.8	33.2	63.9
4.836000	31.2	9.000	L1	10.0	24.8	56.0
5.044000	32.5	9.000	L1	10.0	27.5	60.0
5.136000	33.4	9.000	L1	10.0	26.6	60.0
5.148000	33.9	9.000	L1	10.0	26.1	60.0
5.156000	34.3	9.000	L1	10.0	25.7	60.0
5.166000	34.1	9.000	L1	10.0	25.9	60.0
6.482000	42.9	9.000	L1	10.1	17.1	60.0
6.592000	43.4	9.000	L1	10.1	16.6	60.0
6.680000	43.0	9.000	L1	10.1	17.0	60.0
6.788000	42.6	9.000	L1	10.1	17.4	60.0
6.832000	42.8	9.000	L1	10.1	17.2	60.0
6.892000	42.7	9.000	L1	10.1	17.3	60.0

## CAverage Final Result, Line (L1)

Frequency (MHz)	CAverage (dB $\mu$ V)	Bandwidth (kHz)	Line	Corr. (dB)	Margin (dB)	Limit (dB $\mu$ V)
0.152000	19.8	9.000	L1	9.8	36.1	55.9
0.156000	18.9	9.000	L1	9.8	36.8	55.7
0.162000	17.6	9.000	L1	9.8	37.7	55.4
0.166000	17.6	9.000	L1	9.8	37.5	55.2
0.170000	17.5	9.000	L1	9.8	37.5	55.0
0.184000	17.6	9.000	L1	9.8	36.7	54.3
4.836000	21.1	9.000	L1	10.0	24.9	46.0
4.980000	22.6	9.000	L1	10.0	23.4	46.0
5.026000	23.2	9.000	L1	10.0	26.8	50.0
5.044000	23.6	9.000	L1	10.0	26.4	50.0
5.118000	24.0	9.000	L1	10.0	26.0	50.0
5.136000	24.5	9.000	L1	10.0	25.5	50.0
6.174000	33.0	9.000	L1	10.1	17.0	50.0
6.546000	33.9	9.000	L1	10.1	16.1	50.0
6.592000	34.5	9.000	L1	10.1	15.5	50.0
6.680000	34.3	9.000	L1	10.1	15.7	50.0
6.832000	33.8	9.000	L1	10.1	16.2	50.0
6.892000	34.1	9.000	L1	10.1	15.9	50.0

Figure 2: Conducted Emission (150 kHz to 30 MHz), Line (N)





## QuasiPeak Final Result, Line (N)

Frequency (MHz)	QuasiPeak (dB $\mu$ V)	Bandwidth (kHz)	Line	Corr. (dB)	Margin (dB)	Limit (dB $\mu$ V)
0.152000	35.0	9.000	N	9.8	30.9	65.9
0.156000	34.1	9.000	N	9.8	31.6	65.7
0.162000	32.8	9.000	N	9.8	32.6	65.4
0.170000	31.2	9.000	N	9.8	33.8	65.0
0.192000	30.8	9.000	N	9.8	33.2	63.9
0.196000	30.9	9.000	N	9.8	32.9	63.8
4.912000	31.3	9.000	N	10.0	24.7	56.0
5.032000	29.7	9.000	N	10.0	30.3	60.0
5.092000	30.1	9.000	N	10.0	29.9	60.0
5.112000	30.7	9.000	N	10.0	29.3	60.0
5.140000	31.3	9.000	N	10.0	28.7	60.0
6.370000	41.9	9.000	N	10.1	18.1	60.0
15.304000	41.4	9.000	N	10.5	18.6	60.0
15.582000	41.7	9.000	N	10.5	18.3	60.0
15.932000	41.4	9.000	N	10.5	18.6	60.0
16.004000	41.1	9.000	N	10.5	18.9	60.0
16.264000	40.9	9.000	N	10.5	19.1	60.0
16.298000	40.4	9.000	N	10.5	19.6	60.0

CAverage Final Result, Line (N)

Frequency (MHz)	CAverage (dB $\mu$ V)	Bandwidth (kHz)	Line	Corr. (dB)	Margin (dB)	Limit (dB $\mu$ V)
0.150000	21.8	9.000	N	9.8	34.2	56.0
0.156000	20.2	9.000	N	9.8	35.5	55.7
0.160000	19.3	9.000	N	9.8	36.1	55.5
0.164000	19.0	9.000	N	9.8	36.3	55.3
0.192000	19.0	9.000	N	9.8	34.9	53.9
0.196000	18.6	9.000	N	9.8	35.2	53.8
4.838000	18.0	9.000	N	10.0	28.0	46.0
4.912000	18.7	9.000	N	10.0	27.3	46.0
5.032000	19.8	9.000	N	10.0	30.2	50.0
5.060000	20.1	9.000	N	10.0	29.9	50.0
5.112000	20.5	9.000	N	10.0	29.5	50.0
6.572000	31.5	9.000	N	10.1	18.5	50.0
14.806000	29.9	9.000	N	10.4	20.1	50.0
15.626000	30.4	9.000	N	10.5	19.6	50.0
15.900000	30.2	9.000	N	10.5	19.8	50.0
15.932000	29.5	9.000	N	10.5	20.5	50.0
16.004000	29.7	9.000	N	10.5	20.3	50.0
16.298000	29.9	9.000	N	10.5	20.1	50.0

## 4.2 Radiated Emission Below 1 GHz

### 4.2.1 Measuring instruments

	Type	Manufacturer	Model Name	Serial Number	Calibration Cycle	Calibration Date
<input checked="" type="checkbox"/>	EMI test receiver	Rohde & Schwarz	ESU40	100524	1 year	05.17.2019
<input checked="" type="checkbox"/>	Trilog antenna	Schwarzbeck	VULB 9168	255	2 year	03.26.2019
<input checked="" type="checkbox"/>	Antenna master	INNCO Systems	MA4640-XP-ET	-	N/A	-
<input checked="" type="checkbox"/>	Antenna master controller	INNCO Systems	CO 3000	CO3000/870/ 35990515/L	N/A	-
<input checked="" type="checkbox"/>	Turn Table	INNCO Systems	1060	-	N/A	-
<input checked="" type="checkbox"/>	Turn table controller	INNCO Systems	CO2000	CO2000/095/ 7590304/L	N/A	-
<input checked="" type="checkbox"/>	Software	Rohde & Schwarz	EMC32	-	-	-

### 4.2.2 Operating Condition

The test results of radiated emission provide the following information:

<b>Used Test Standard</b>	FCC CFR 47 PART 15 Subpart B Class B ANSI C63.4-2014
<b>Frequency Range</b>	30 MHz to 1 000 MHz
<b>Detector</b>	Quasi-Peak
<b>Bandwidth</b>	120 kHz (6 dB)
<b>Worst Case of Operating Mode</b>	REAR CAMERA mode
<b>Kind of Test Site</b>	3 m semi anechoic chamber
<b>Temperature</b>	22.4 °C
<b>Relative Humidity</b>	41.2 %
<b>Test Date</b>	January 15, 2020

### 4.2.3 Measuring Data

Frequency (MHz)	Quasi Peak (dB $\mu$ V/m)	Antenna Height (cm)	POL. (H/V)	Azimuth (deg)	Corr. (dB)	Margin (dB)	Limit (dB $\mu$ V/m)
31.438800	19.5	100.0	V	41.0	18.4	20.5	40.0
52.762000	23.4	117.7	V	30.0	19.7	16.6	40.0
60.151600	21.3	100.0	V	16.0	19.4	18.7	40.0
114.553200	21.1	225.1	V	80.0	16.8	22.4	43.5
670.348600	28.3	100.0	V	142.0	28.4	17.7	46.0
943.269000	32.1	225.1	V	27.0	31.9	13.9	46.0

- Calculation Formula:

1. POL. H = Horizontal, POL. V = Vertical
2. QuasiPeak = Reading (Receiver Reading) + Corr.
3. Corr. (Correction Factor) = Antenna Factor + Cable Loss
4. Margin = Limit - QuasiPeak

### 4.3 Radiated Emission Above 1 GHz

#### 4.3.1 Measuring instruments

	Type	Manufacturer	Model Name	Serial Number	Calibration Cycle	Calibration Date
<input checked="" type="checkbox"/>	EMI test receiver	Rohde & Schwarz	ESU40	100524	1 year	05.17.2019
<input checked="" type="checkbox"/>	Antenna master	INNCO Systems	MA4640-XP-ET	-	N/A	-
<input checked="" type="checkbox"/>	Antenna master controller	INNCO Systems	CO3000	CO3000/870/ 35990515/L	N/A	-
<input checked="" type="checkbox"/>	Turn table	INNCO Systems	1060	-	N/A	-
<input checked="" type="checkbox"/>	Turn table controller	INNCO Systems	CO2000	CO2000/095/ 7590304/L	N/A	-
<input checked="" type="checkbox"/>	Low Noise amplifier	TESTEK	TK-PA18H	170034-L	1 year	03.04.2019
<input checked="" type="checkbox"/>	Low Noise amplifier	TESTEK	TK-PA1840H	170033-L	1 year	03.11.2019
<input checked="" type="checkbox"/>	Horn antenna	Schwarzbeck	BBHA 9120D	01836	1 year	07.19.2019
<input checked="" type="checkbox"/>	Horn Antenna	Schwarzbeck	BBHA 9170	BBHA9170786	1 year	12.03.2019
<input checked="" type="checkbox"/>	Software	Rohde & Schwarz	EMC32	-	-	-

### 4.3.2 Operating Condition

The test results of radiated emission provide the following information:

<b>Used Test Standard</b>	FCC CFR 47 PART 15 Subpart B Class B ANSI C63.4-2014
<b>Detector</b>	Peak mode: Peak (RBW: 1 MHz, VBW: 3 MHz) CISPR-Average mode: Peak (RBW: 1 MHz, VBW: 10 Hz)
<b>Highest Frequency</b>	5 825 MHz
<b>Tested Frequency Range</b>	1 GHz to 30 GHz
<b>Worst Case of Operating Mode</b>	REAR CAMERA mode
<b>Kind of Test Site</b>	3 m semi anechoic chamber
<b>Temperature</b>	22.5 / 23.3 °C
<b>Relative Humidity</b>	43.6 / 42.1 %
<b>Test Date</b>	January 20 / January 22, 2020

### 4.3.3 Measuring Data

Frequency (MHz)	Peak (dB $\mu$ V/m)	Antenna Height (cm)	POL. (H/V)	Azimuth (deg)	Corr. (dB)	Margin (dB)	Limit (dB $\mu$ V/m)
3522.210000	35.2	100.0	H	0.0	-20.5	38.8	74.0
5252.610000	39.5	149.9	V	313.0	-15.5	34.5	74.0
7350.135000	44.3	248.4	V	172.0	-9.7	29.7	74.0
9544.555000	49.0	110.4	V	59.0	-5.1	25.0	74.0
10996.825000	48.0	149.6	H	255.0	-2.4	26.0	74.0
15017.680000	49.1	249.9	V	261.0	1.3	24.9	74.0

Frequency (MHz)	CAverage (dB $\mu$ V/m)	Antenna Height (cm)	POL. (H/V)	Azimuth (deg)	Corr. (dB)	Margin (dB)	Limit (dB $\mu$ V/m)
3522.210000	22.5	100.0	H	0.0	-20.5	31.5	54.0
5252.610000	26.4	149.9	V	313.0	-15.5	27.6	54.0
7350.135000	31.5	248.4	V	172.0	-9.7	22.5	54.0
9544.555000	35.8	110.4	V	59.0	-5.1	18.2	54.0
10996.825000	35.6	149.6	H	255.0	-2.4	18.4	54.0
15017.680000	35.7	249.9	V	261.0	1.3	18.3	54.0

- Calculation Formula:

1. POL. H = Horizontal, POL. V = Vertical
2. Peak or CAverage = Reading (Receiver Reading) + Corr.
3. Corr. (Correction Factor) = Antenna Factor+ Cable Loss –Amplifier Gain
4. Margin = Limit - Peak or CAverage

## 5. CONCLUSION

The data collected shows that the **Product Name: Multi-band WCDMA/LTE Tablet with BT and WiFi,**  
**Model Name: LM-T600TS** complies with § 15.107 and § 15.109 of the FCC rules.



## 6. APPENDIX A. TEST SETUP PHOTO

Please refer to Appendix. A and test setup photo file no. as follows;

File No.	Date of Issue	Description
HCT-EM-2002-FC002-P	February 05, 2020	Initial Release

End of report