

Test Laboratory: UL CCS SAR Lab C

System Validation

Communication System: CW; Frequency: 835 MHz; Duty Cycle: 1:1

Phantom section: RF Section

DASY4 Configuration:

- Probe: ER3DV6 - SN2339; ConvF(1, 1, 1); Calibrated: 1/20/2012

- Sensor-Surface: (Fix Surface)

- Electronics: DAE4 Sn1257; Calibrated: 10/25/2011

- Phantom: HAC Test Arch with AMCC; Type: SD HAC P01 BB

- Measurement SW: DASY52, Version 52.8 (0); SEMCAD X Version 14.6.4 (4989)

CD835V3, E-Field/Measurement distance from the probe sensor center to Dipole = 10mm/Hearing Aid Compatibility Test (41x361x1): Measurement grid: dx=5mm, dy=5mm

Device Reference Point: 0, 0, -6.3 mm

Reference Value = 117.3 V/m; Power Drift = -0.01 dB

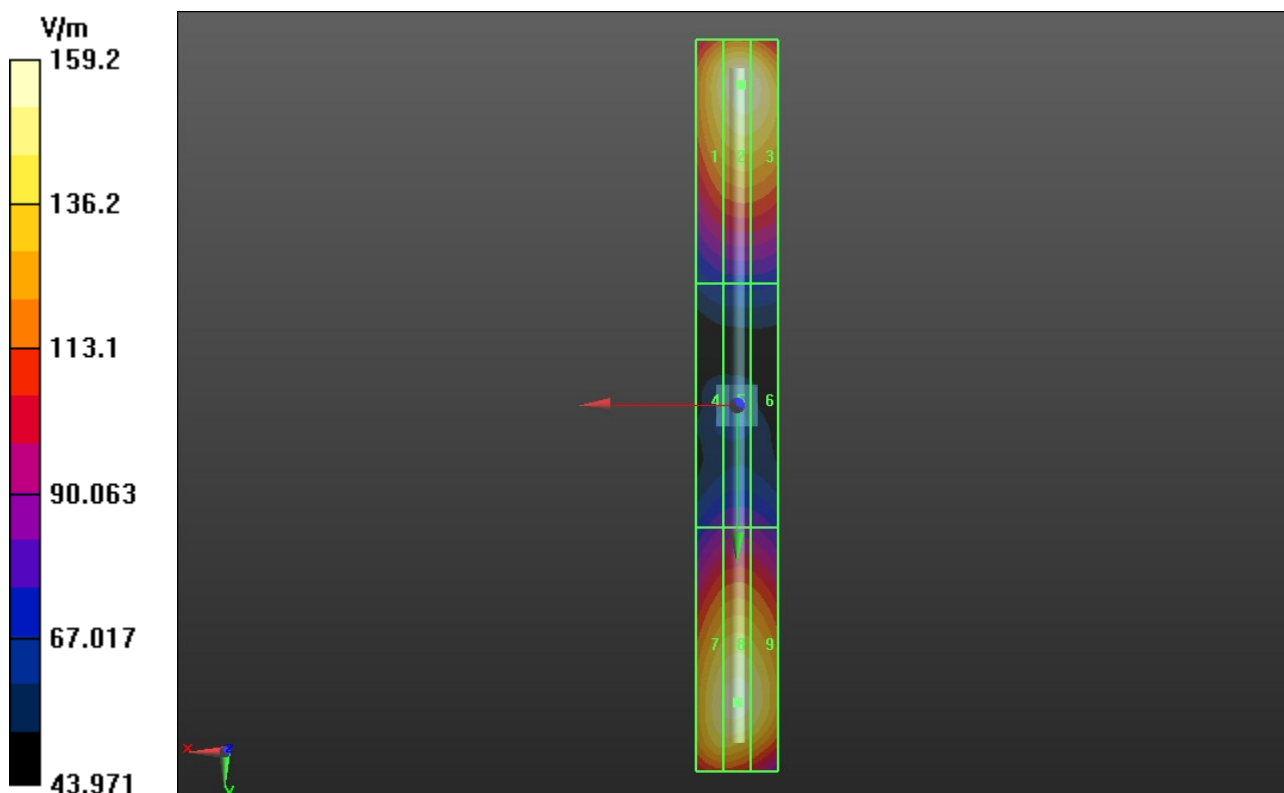
PMR not calibrated. PMF = 1.000 is applied.

E-field emissions = 159.2 V/m

Near-field category: **M4 (AWF 0 dB)**

PMF scaled E-field

Grid 1 M4 150.2 V/m	Grid 2 M4 159.2 V/m	Grid 3 M4 157.5 V/m
Grid 4 M4 83.15 V/m	Grid 5 M4 85.33 V/m	Grid 6 M4 84.08 V/m
Grid 7 M4 152.3 V/m	Grid 8 M4 154.9 V/m	Grid 9 M4 151.9 V/m



Test Laboratory: UL CCS SAR Lab C

System Validation

Communication System: CW; Frequency: 1880 MHz; Duty Cycle: 1:1

Phantom section: RF Section

DASY4 Configuration:

- Probe: ER3DV6 - SN2339; ConvF(1, 1, 1); Calibrated: 1/20/2012
- Sensor-Surface: (Fix Surface)
- Electronics: DAE4 Sn1257; Calibrated: 10/25/2011
- Phantom: HAC Test Arch with AMCC; Type: SD HAC P01 BB
- Measurement SW: DASY52, Version 52.8 (0); SEMCAD X Version 14.6.4 (4989)

CD1730V3, E-Field/E Scan - measurement distance from the probe sensor center to CD1730 Dipole = 10mm/Hearing Aid Compatibility Test (41x181x1): Measurement grid:

dx=5mm, dy=5mm

Device Reference Point: 0, 0, -6.3 mm

Reference Value = 152.0 V/m; Power Drift = -0.02 dB

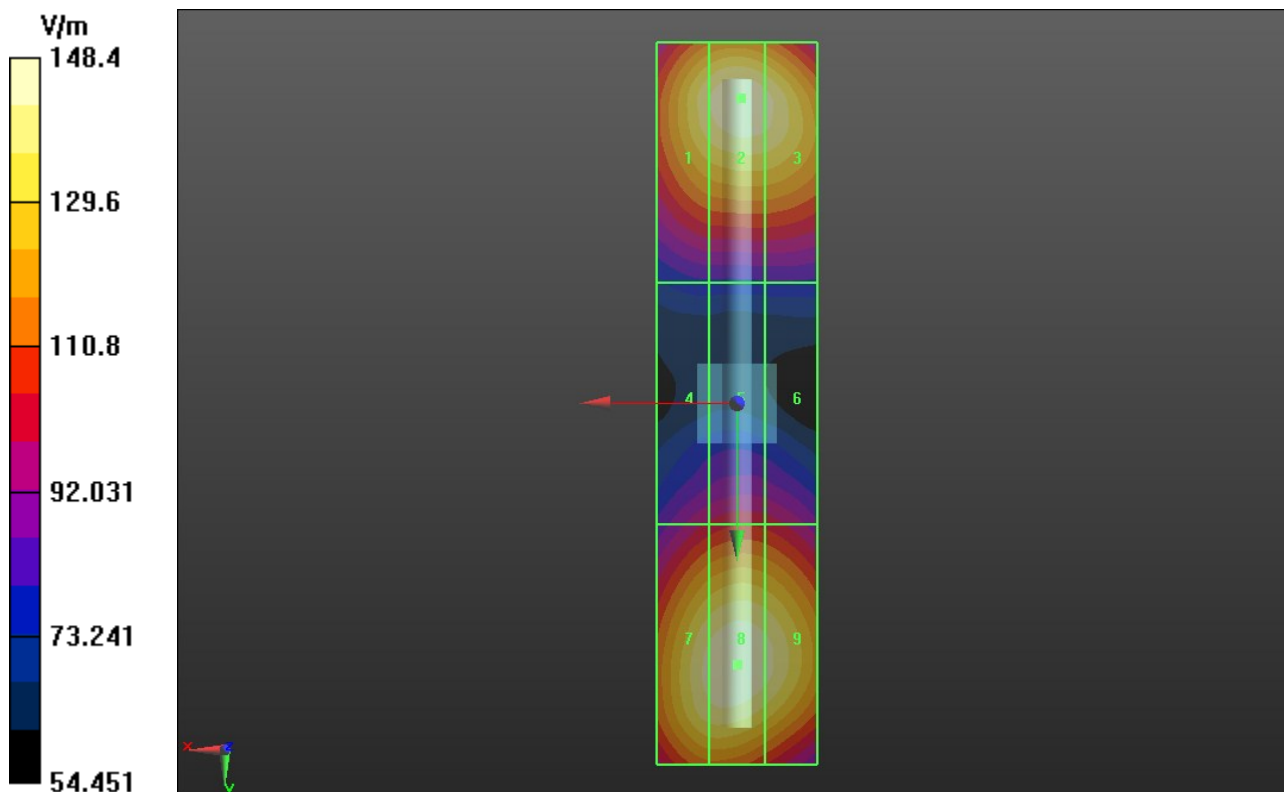
PMR not calibrated. PMF = 1.000 is applied.

E-field emissions = 148.4 V/m

Near-field category: **M2 (AWF 0 dB)**

PMF scaled E-field

Grid 1 M2 141.9 V/m	Grid 2 M2 148.4 V/m	Grid 3 M2 144.9 V/m
Grid 4 M3 99.75 V/m	Grid 5 M3 104.2 V/m	Grid 6 M3 102.6 V/m
Grid 7 M2 144.7 V/m	Grid 8 M2 148.3 V/m	Grid 9 M2 144.8 V/m



Test Laboratory: UL CCS SAR Lab C

System Validation

Communication System: CW; Frequency: 1880 MHz; Duty Cycle: 1:1

Phantom section: RF Section

DASY4 Configuration:

- Probe: ER3DV6 - SN2339; ConvF(1, 1, 1); Calibrated: 1/20/2012

- Sensor-Surface: (Fix Surface)

- Electronics: DAE4 Sn1257; Calibrated: 10/25/2011

- Phantom: HAC Test Arch with AMCC; Type: SD HAC P01 BB

- Measurement SW: DASY52, Version 52.8 (0); SEMCAD X Version 14.6.4 (4989)

CD1880V3, E-Field/Measurement distance from the probe sensor center to Dipole = 10mm/Hearing Aid Compatibility Test (41x181x1): Measurement grid: dx=5mm, dy=5mm

Device Reference Point: 0, 0, -6.3 mm

Reference Value = 140.3 V/m; Power Drift = 0.01 dB

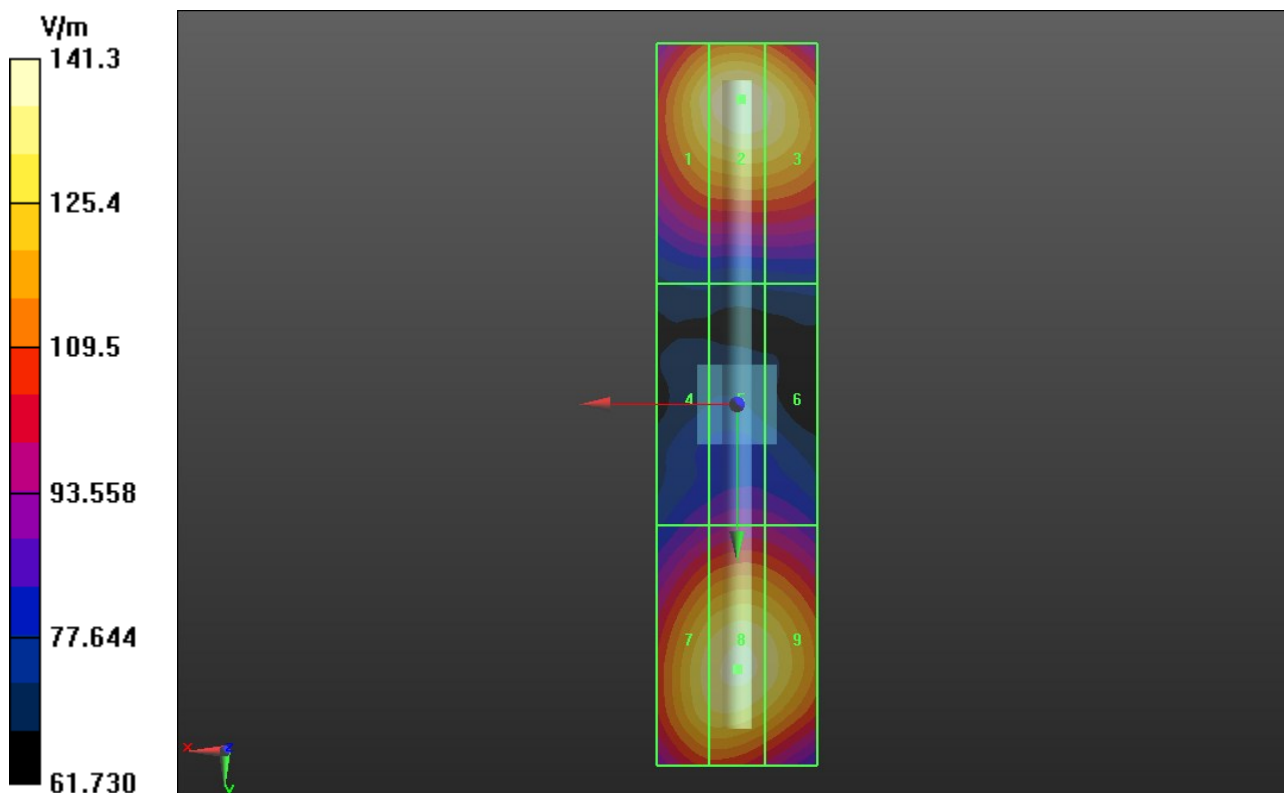
PMR not calibrated. PMF = 1.000 is applied.

E-field emissions = 141.3 V/m

Near-field category: **M2 (AWF 0 dB)**

PMF scaled E-field

Grid 1 M2 135.1 V/m	Grid 2 M2 141.3 V/m	Grid 3 M2 138.0 V/m
Grid 4 M3 89.93 V/m	Grid 5 M3 94.15 V/m	Grid 6 M3 93.07 V/m
Grid 7 M2 133.8 V/m	Grid 8 M2 137.5 V/m	Grid 9 M2 134.7 V/m



Test Laboratory: UL CCS SAR Lab C

System Validation

Communication System: CW; Frequency: 835 MHz; Duty Cycle: 1:1

Phantom section: RF Section

DASY4 Configuration:

- Probe: H3DV6 - SN6157; ; Calibrated: 1/30/2012
- Sensor-Surface: (Fix Surface)
- Electronics: DAE4 Sn1257; Calibrated: 10/25/2011
- Phantom: HAC Test Arch with AMCC; Type: SD HAC P01 BB
- Measurement SW: DASY52, Version 52.8 (0); SEMCAD X Version 14.6.4 (4989)

CD835V3, H-Field/Measurement distance from the probe sensor center to Dipole = 10mm/Hearing Aid Compatibility Test (41x361x1): Measurement grid: dx=5mm, dy=5mm

Device Reference Point: 0, 0, -6.3 mm

Reference Value = 0.49 V/m; Power Drift = -0.00 dB

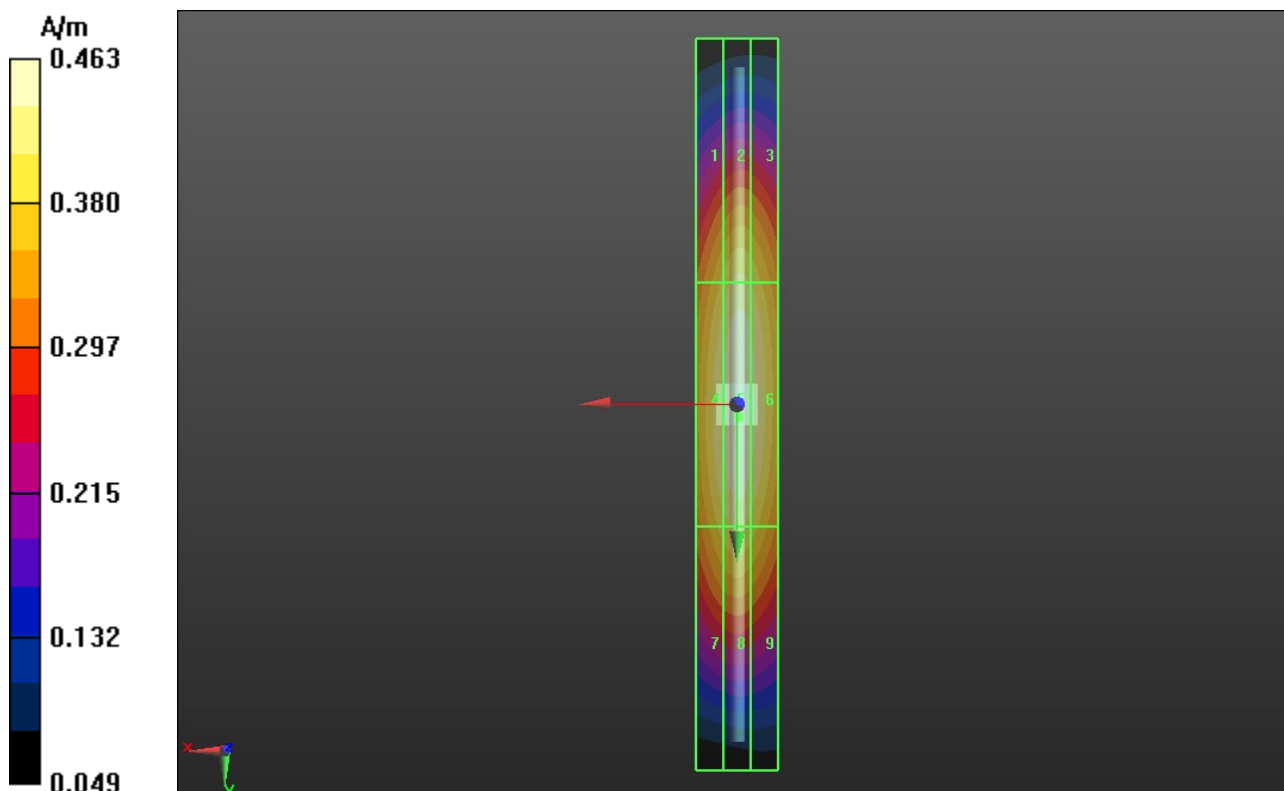
PMR not calibrated. PMF = 1.000 is applied.

H-field emissions = 0.46 A/m

Near-field category: **M4 (AWF 0 dB)**

PMF scaled H-field

Grid 1 M4 0.39 A/m	Grid 2 M4 0.42 A/m	Grid 3 M4 0.40 A/m
Grid 4 M4 0.44 A/m	Grid 5 M4 0.46 A/m	Grid 6 M4 0.45 A/m
Grid 7 M4 0.39 A/m	Grid 8 M4 0.41 A/m	Grid 9 M4 0.39 A/m



Test Laboratory: UL CCS SAR Lab C

System Validation

Communication System: CW; Frequency: 1880 MHz; Duty Cycle: 1:1

Phantom section: RF Section

DASY4 Configuration:

- Probe: H3DV6 - SN6157; ; Calibrated: 1/30/2012
- Sensor-Surface: (Fix Surface)
- Electronics: DAE4 Sn1257; Calibrated: 10/25/2011
- Phantom: HAC Test Arch with AMCC; Type: SD HAC P01 BB
- Measurement SW: DASY52, Version 52.8 (0); SEMCAD X Version 14.6.4 (4989)

CD1730V3, H-Field/H Scan - measurement distance from the probe sensor center to CD1730 Dipole = 10mm/Hearing Aid Compatibility Test (41x181x1): Measurement grid:

dx=5mm, dy=5mm

Device Reference Point: 0, 0, -6.3 mm

Reference Value = 0.50 V/m; Power Drift = -0.01 dB

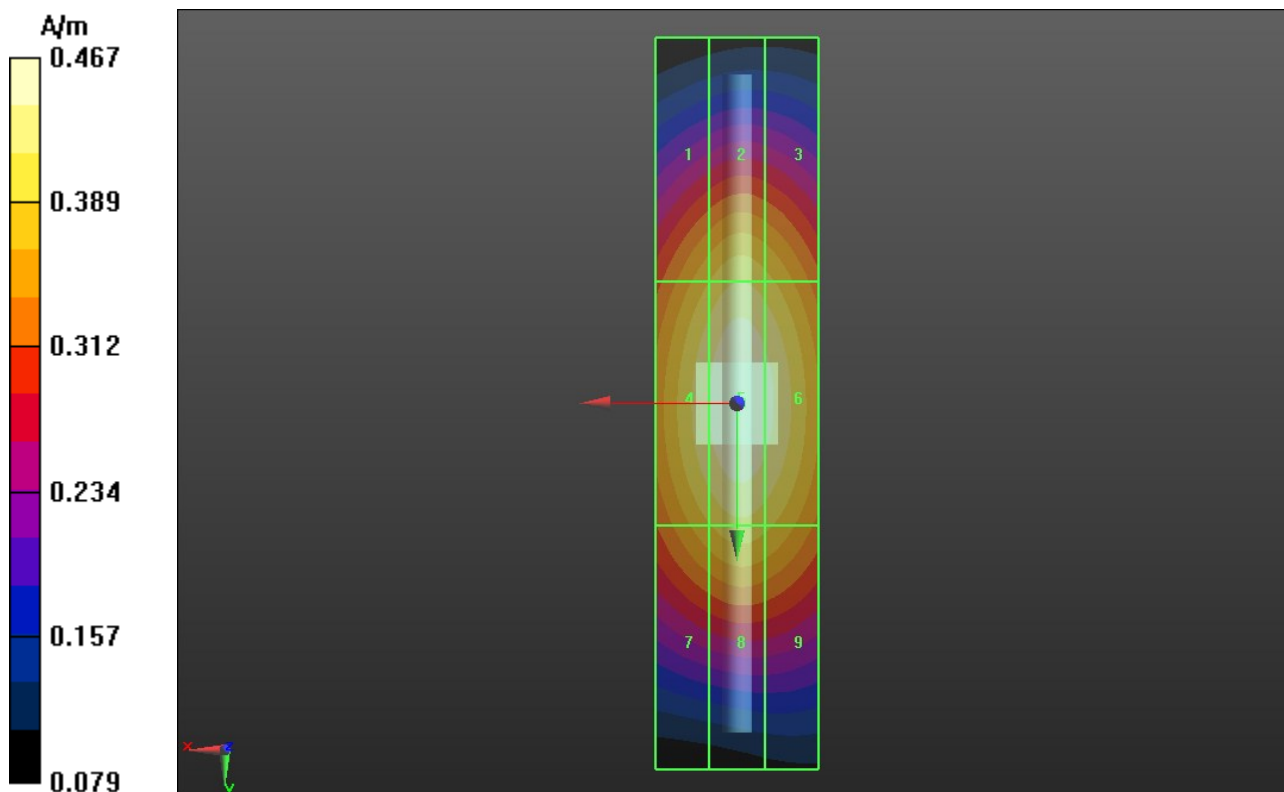
PMR not calibrated. PMF = 1.000 is applied.

H-field emissions = 0.47 A/m

Near-field category: **M2 (AWF 0 dB)**

PMF scaled H-field

Grid 1 M2 0.39 A/m	Grid 2 M2 0.41 A/m	Grid 3 M2 0.40 A/m
Grid 4 M2 0.44 A/m	Grid 5 M2 0.47 A/m	Grid 6 M2 0.45 A/m
Grid 7 M2 0.39 A/m	Grid 8 M2 0.41 A/m	Grid 9 M2 0.40 A/m



Test Laboratory: UL CCS SAR Lab C

System Validation

Communication System: CW; Frequency: 1880 MHz; Duty Cycle: 1:1

Phantom section: RF Section

DASY4 Configuration:

- Probe: H3DV6 - SN6157; ; Calibrated: 1/30/2012
- Sensor-Surface: (Fix Surface)
- Electronics: DAE4 Sn1257; Calibrated: 10/25/2011
- Phantom: HAC Test Arch with AMCC; Type: SD HAC P01 BB
- Measurement SW: DASY52, Version 52.8 (0); SEMCAD X Version 14.6.4 (4989)

CD1880V3, H-Field/Measurement distance from the probe sensor center to Dipole = 10mm/Hearing Aid Compatibility Test (41x181x1): Measurement grid: dx=5mm, dy=5mm

Device Reference Point: 0, 0, -6.3 mm

Reference Value = 0.49 V/m; Power Drift = -0.00 dB

PMR not calibrated. PMF = 1.000 is applied.

H-field emissions = 0.46 A/m

Near-field category: **M2 (AWF 0 dB)**

PMF scaled H-field

Grid 1 M2 0.40 A/m	Grid 2 M2 0.43 A/m	Grid 3 M2 0.41 A/m
Grid 4 M2 0.44 A/m	Grid 5 M2 0.46 A/m	Grid 6 M2 0.45 A/m
Grid 7 M2 0.40 A/m	Grid 8 M2 0.42 A/m	Grid 9 M2 0.41 A/m

