

Test Laboratory: UL CCS SAR Lab C

## System Validation

Communication System: CW; Frequency: 835 MHz; Duty Cycle: 1:1

Phantom section: RF Section

DASY4 Configuration:

- Probe: ER3DV6 - SN2339; ConvF(1, 1, 1); Calibrated: 1/20/2012

- Sensor-Surface: (Fix Surface)

- Electronics: DAE3 Sn500; Calibrated: 7/14/2011

- Phantom: HAC Test Arch with AMCC; Type: SD HAC P01 BB

- Measurement SW: DASY52, Version 52.8 (0); SEMCAD X Version 14.6.4 (4989)

### CD835V3, E-Field/Measurement distance from the probe sensor center to Dipole = 10mm/Hearing Aid Compatibility Test (41x361x1): Measurement grid: dx=5mm, dy=5mm

Device Reference Point: 0, 0, -6.3 mm

Reference Value = 102.1 V/m; Power Drift = 0.03 dB

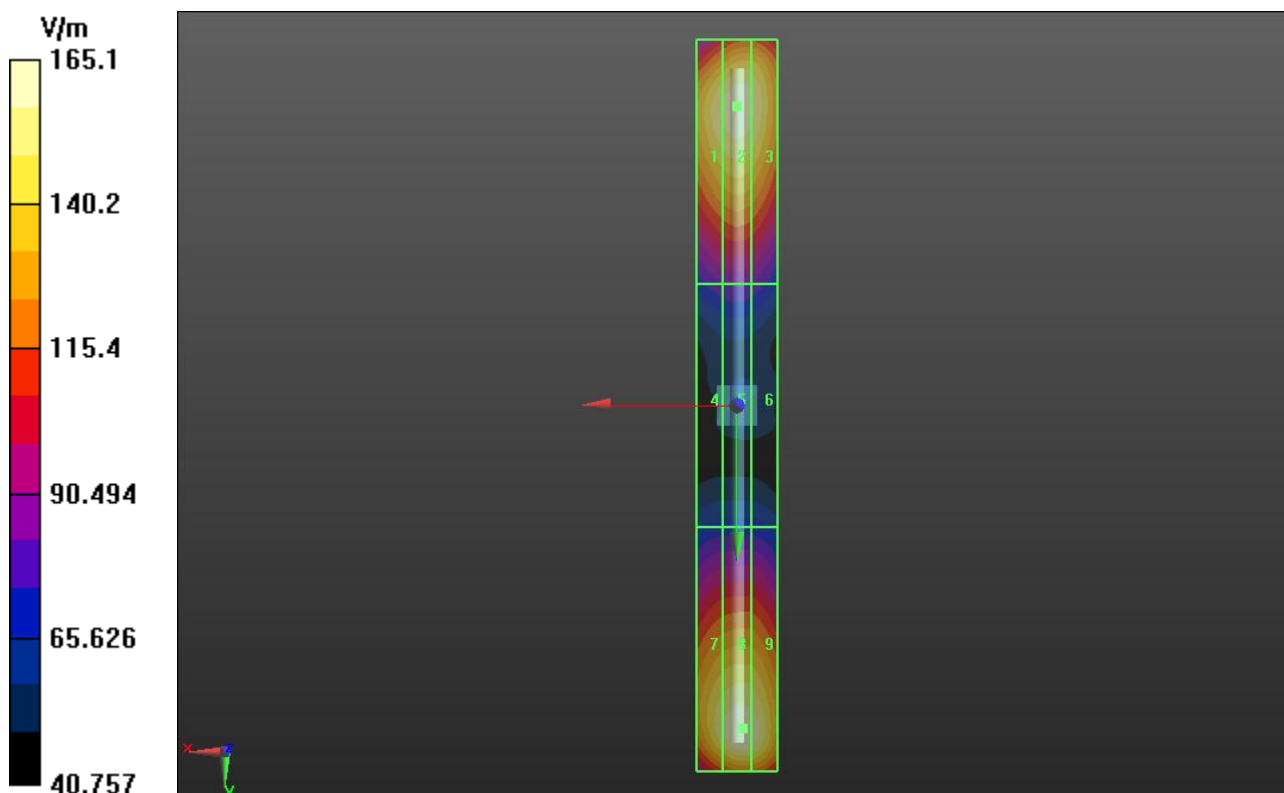
PMR not calibrated. PMF = 1.000 is applied.

E-field emissions = 165.1 V/m

Near-field category: **M4 (AWF 0 dB)**

PMF scaled E-field

|                                      |                                      |                                      |
|--------------------------------------|--------------------------------------|--------------------------------------|
| Grid 1 <b>M4</b><br><b>158.5 V/m</b> | Grid 2 <b>M4</b><br><b>163.6 V/m</b> | Grid 3 <b>M4</b><br><b>159.2 V/m</b> |
| Grid 4 <b>M4</b><br><b>81.69 V/m</b> | Grid 5 <b>M4</b><br><b>84.11 V/m</b> | Grid 6 <b>M4</b><br><b>81.69 V/m</b> |
| Grid 7 <b>M4</b><br><b>157.3 V/m</b> | Grid 8 <b>M4</b><br><b>165.1 V/m</b> | Grid 9 <b>M4</b><br><b>163.3 V/m</b> |



Test Laboratory: UL CCS SAR Lab C

## System Validation

Communication System: CW; Frequency: 1880 MHz; Duty Cycle: 1:1

Phantom section: RF Section

DASY4 Configuration:

- Probe: ER3DV6 - SN2339; ConvF(1, 1, 1); Calibrated: 1/20/2012
- Sensor-Surface: (Fix Surface)
- Electronics: DAE3 Sn500; Calibrated: 7/14/2011
- Phantom: HAC Test Arch with AMCC; Type: SD HAC P01 BB
- Measurement SW: DASY52, Version 52.8 (0); SEMCAD X Version 14.6.4 (4989)

### CD1880V3, E-Field/Measurement distance from the probe sensor center to Dipole = 10mm/Hearing Aid Compatibility Test (41x181x1): Measurement grid: dx=5mm, dy=5mm

Device Reference Point: 0, 0, -6.3 mm

Reference Value = 151.3 V/m; Power Drift = 0.02 dB

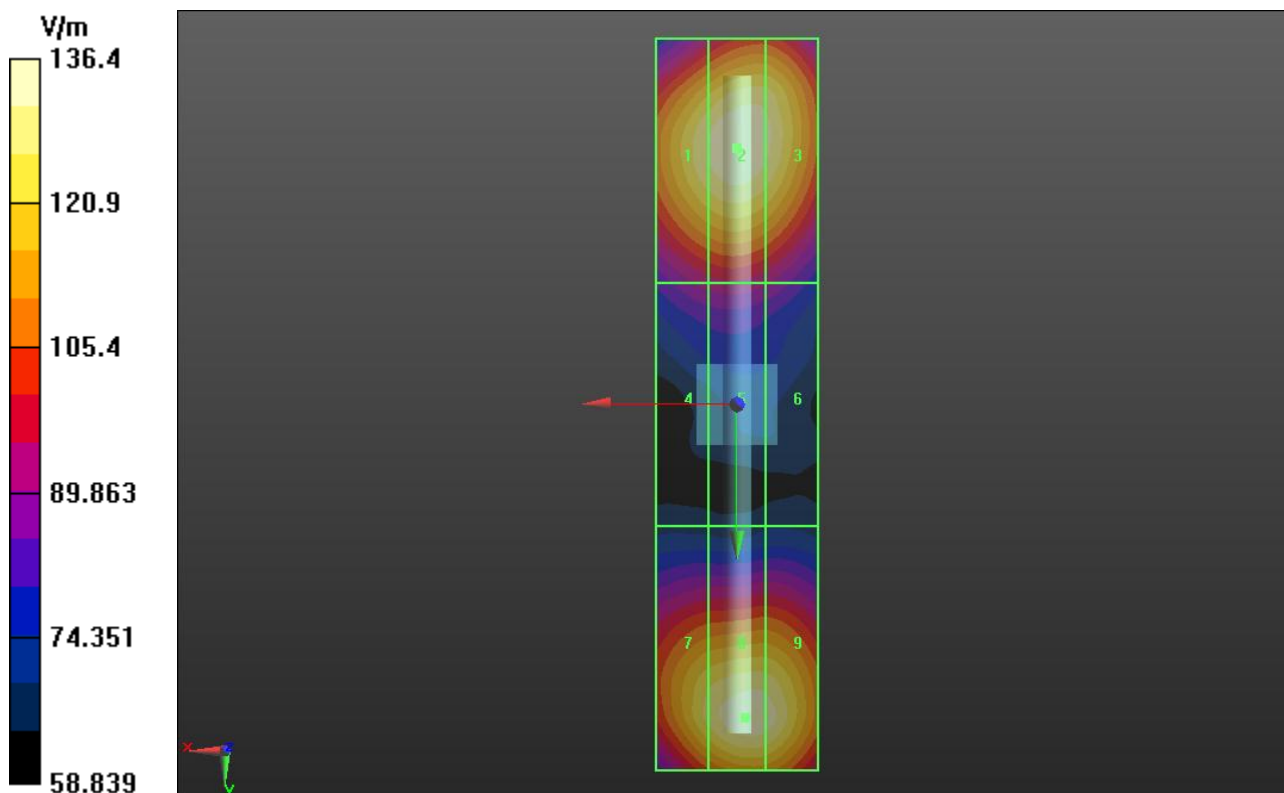
PMR not calibrated. PMF = 1.000 is applied.

E-field emissions = 136.4 V/m

Near-field category: **M2 (AWF 0 dB)**

PMF scaled E-field

|                                      |                                      |                                      |
|--------------------------------------|--------------------------------------|--------------------------------------|
| Grid 1 <b>M2</b><br><b>131.8 V/m</b> | Grid 2 <b>M2</b><br><b>136.4 V/m</b> | Grid 3 <b>M2</b><br><b>133.2 V/m</b> |
| Grid 4 <b>M3</b><br><b>92.77 V/m</b> | Grid 5 <b>M3</b><br><b>94.77 V/m</b> | Grid 6 <b>M3</b><br><b>90.97 V/m</b> |
| Grid 7 <b>M2</b><br><b>128.1 V/m</b> | Grid 8 <b>M2</b><br><b>135.5 V/m</b> | Grid 9 <b>M2</b><br><b>134.3 V/m</b> |



Test Laboratory: UL CCS SAR Lab C

## System Validation

Communication System: CW; Frequency: 835 MHz; Duty Cycle: 1:1

Phantom section: RF Section

DASY4 Configuration:

- Probe: H3DV6 - SN6324; ; Calibrated: 4/11/2011
- Sensor-Surface: (Fix Surface)
- Electronics: DAE3 Sn500; Calibrated: 7/14/2011
- Phantom: HAC Test Arch with AMCC; Type: SD HAC P01 BB
- Measurement SW: DASY52, Version 52.8 (0); SEMCAD X Version 14.6.4 (4989)

### CD835V3, H-Field/Measurement distance from the probe sensor center to Dipole = 10mm/Hearing Aid Compatibility Test (41x361x1): Measurement grid: dx=5mm, dy=5mm

Device Reference Point: 0, 0, -6.3 mm

Reference Value = 0.45 V/m; Power Drift = 0.00 dB

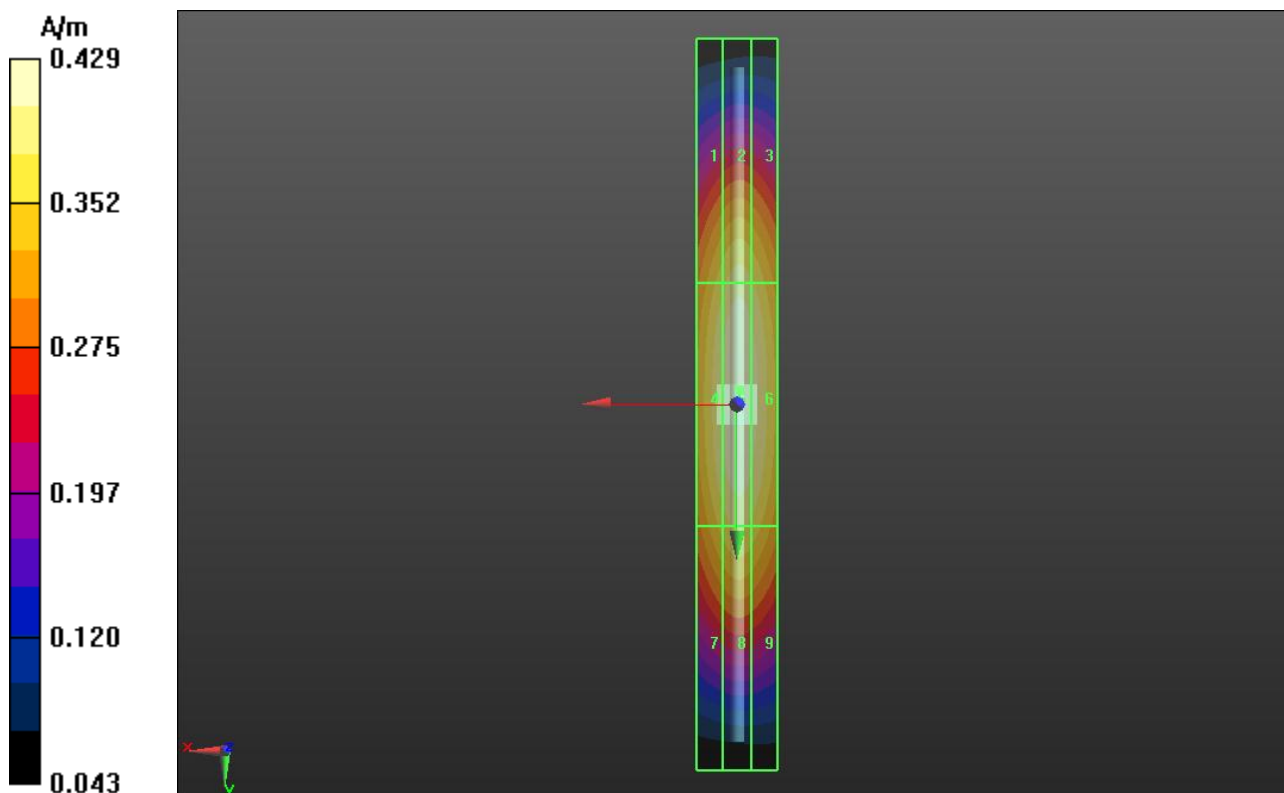
PMR not calibrated. PMF = 1.000 is applied.

H-field emissions = 0.43 A/m

Near-field category: **M4 (AWF 0 dB)**

PMF scaled H-field

|                                     |                                     |                                     |
|-------------------------------------|-------------------------------------|-------------------------------------|
| Grid 1 <b>M4</b><br><b>0.37 A/m</b> | Grid 2 <b>M4</b><br><b>0.39 A/m</b> | Grid 3 <b>M4</b><br><b>0.38 A/m</b> |
| Grid 4 <b>M4</b><br><b>0.41 A/m</b> | Grid 5 <b>M4</b><br><b>0.43 A/m</b> | Grid 6 <b>M4</b><br><b>0.42 A/m</b> |
| Grid 7 <b>M4</b><br><b>0.36 A/m</b> | Grid 8 <b>M4</b><br><b>0.38 A/m</b> | Grid 9 <b>M4</b><br><b>0.37 A/m</b> |



Test Laboratory: UL CCS SAR Lab C

## System Validation

Communication System: CW; Frequency: 1880 MHz; Duty Cycle: 1:1

Phantom section: RF Section

DASY4 Configuration:

- Probe: H3DV6 - SN6324; ; Calibrated: 4/11/2011
- Sensor-Surface: (Fix Surface)
- Electronics: DAE3 Sn500; Calibrated: 7/14/2011
- Phantom: HAC Test Arch with AMCC; Type: SD HAC P01 BB
- Measurement SW: DASY52, Version 52.8 (0); SEMCAD X Version 14.6.4 (4989)

### CD1880V3, H-Field/Measurement distance from the probe sensor center to Dipole = 10mm/Hearing Aid Compatibility Test (41x181x1): Measurement grid: dx=5mm, dy=5mm

Device Reference Point: 0, 0, -6.3 mm

Reference Value = 0.47 V/m; Power Drift = -0.01 dB

PMR not calibrated. PMF = 1.000 is applied.

H-field emissions = 0.44 A/m

Near-field category: **M2 (AWF 0 dB)**

PMF scaled H-field

|                                     |                                     |                                     |
|-------------------------------------|-------------------------------------|-------------------------------------|
| Grid 1 <b>M2</b><br><b>0.38 A/m</b> | Grid 2 <b>M2</b><br><b>0.41 A/m</b> | Grid 3 <b>M2</b><br><b>0.40 A/m</b> |
| Grid 4 <b>M2</b><br><b>0.42 A/m</b> | Grid 5 <b>M2</b><br><b>0.44 A/m</b> | Grid 6 <b>M2</b><br><b>0.43 A/m</b> |
| Grid 7 <b>M2</b><br><b>0.38 A/m</b> | Grid 8 <b>M2</b><br><b>0.40 A/m</b> | Grid 9 <b>M2</b><br><b>0.39 A/m</b> |

