

On your side

HCT

TEST REPORT

EMI Test for FCC Certification of LM-K735MM Model

APPLICANT

LG Electronics USA, Inc.

REPORT NO.

HCT-EM-2101-FC005-R1

DATE OF ISSUE

February 03, 2021

Tested by

Na-Eun Song

(signature)


Technical Manager

Jeong-Hyun Choi

(signature)


HCT CO., LTD.

Soo Chan Lee

SooChan Lee

/ CEO

HCT Co., Ltd.

74, Seoicheon-ro 578beon-gil, Majang-myeon, Icheon-si, Gyeonggi-do, 17383 KOREA

Tel. +82 31 645 6300 Fax. +82 31 645 6401



HCT Co., Ltd.

74, Seoicheon-ro 578beon-gil, Majang-myeon, Icheon-si, Gyeonggi-do, 17383 KOREA
Tel. +82 31 645 6300 Fax. +82 31 645 6401

TEST REPORT EMI Test for FCC Certification	REPORT NO. HCT-EM-2101-FC005-R1
	DATE OF ISSUE February 03, 2021
	FCC ID. ZNFK735MM

Applicant	LG Electronics USA, Inc. 111 Sylvan Avenue, North Building , Englewood Cliffs NJ 07632 United States
Product Name	Multi-band GSM/WCDMA/LTE Phone with WLAN, Bluetooth, NFC
Model Name	LM-K735MM
Series Model Name	Refer to the clause 1.1 Description of EUT
Date of Test	December 21, 2020 to December 28, 2020
Test Standard Used	FCC CFR 47 PART 15 Subpart B Class B ANSI C63.4-2014
Test Results	Refer to the present document
Manufacturer	LG Electronics Inc.

The result shown in this test report refer only to the sample(s) tested unless otherwise stated.

This test results were applied only to the test methods required by the standard.

REVISION HISTORY

The revision history for this test report is shown in table.

Revision No.	Date of Issue	Description
0	January 08, 2021	Initial Release
1	February 03, 2021	Revised the frequency range in clause 1.1

The above Test Report is not related to the accredited test result by (KS Q) ISO/IEC 17025 and KOLAS (Korea Laboratory Accreditation Scheme) / A2LA (American Association for Laboratory Accreditation), which signed the ILAC-MRA.

* The report shall not be reproduced except in full (only partly) without approval of the laboratory.

CONTENTS

1. GENERAL INFORMATION	5
1.1 Description of EUT	5
1.2 Tested System Details	5
1.3 Cable Description	8
1.4 Noise Suppression Parts on Cable. (I/O Cable)	8
1.5 Test Facility	9
1.6 Calibration of Measuring Instrument	9
1.7 Measurement Uncertainty	9
2. DESCRIPTION OF TEST	10
2.1 Measurement of Conducted Emission	10
2.2 Measurement of Radiated Emission	11
2.3 Configuration of Tested System	12
3. PRELIMINARY TEST	13
3.1 Conducted Emission	13
3.2 Radiated Emission	13
4. CONDUCTED EMISSION AND RADIATED EMISSION TEST SUMMARY	14
4.1 Conducted Emission	14
4.2 Radiated Emission Below 1 GHz	21
4.3 Radiated Emission Above 1 GHz	23
5. CONCLUSION	25
6. APPENDIX A. TEST SETUP PHOTO	26

1. GENERAL INFORMATION

1.1 Description of EUT

FCC ID	ZNFK735MM
Model Name	LM-K735MM
Series Model Name	LM-K735PM, LMK735MM, LMK735PM, K735MM, K735PM
Product Name	Multi-band GSM/WCDMA/LTE Phone with WLAN, Bluetooth, NFC
Frequency Range (Downlink)	869.20 MHz to 893.80 MHz (GSM 850) 1 930.20 MHz to 1 989.80 MHz (GSM 1 900) 1 932.4 MHz to 1 987.6 MHz (WCDMA B2) 2 112.4 MHz to 2 152.6 MHz (WCDMA B4) 871.40 MHz to 891.60 MHz (WCDMA B5) 1 930 MHz to 1 990 MHz (LTE B2) 2 110 MHz to 2 155 MHz (LTE B4) 869 MHz to 894 MHz (LTE B5) 729 MHz to 746 MHz (LTE B12) 746 MHz to 756 MHz (LTE B13) 1 925 MHz to 1 990 MHz (LTE B25) 859 MHz to 894 MHz (LTE B26) 2 496 MHz to 2 690 MHz (LTE B41) 2 496 MHz to 2 690 MHz (LTE B41 HPUE) 2 110 MHz to 2 200 MHz (LTE B66) 617 MHz to 652 MHz (LTE B71) 2 402 MHz to 2 480 MHz (Bluetooth) 2 412 MHz to 2 462 MHz (WiFi 2.4 GHz) 5 180 MHz to 5 240 MHz (WiFi 5 GHz_UNII 1) 5 260 MHz to 5 320 MHz (WiFi 5 GHz_UNII 2A) 5 500 MHz to 5 720 MHz (WiFi 5 GHz_UNII 2C) 5 745 MHz to 5 825 MHz (WiFi 5 GHz_UNII 3) 13.56 MHz (NFC)

Frequency Range (Uplink)	824.20 MHz to 848.80 MHz (GSM 850) 1 850.20 MHz to 1 909.80 MHz (GSM 1 900) 1 852.4 MHz to 1 907.6 MHz (WCDMA B2) 1712.4 MHz to 1752.6 MHz (WCDMA B4) 826.40 MHz to 846.60 MHz (WCDMA B5) 1 850 MHz to 1 910 MHz (LTE B2) 1 710 MHz to 1 755 MHz (LTE B4) 824 MHz to 849 MHz (LTE B5) 699 MHz to 716 MHz (LTE B12) 777 MHz to 787 MHz (LTE B13) 1 850 MHz to 1 915 MHz (LTE B25) 814 MHz to 849 MHz (LTE B26) 2 496 MHz to 2 690 MHz (LTE B41) 2 496 MHz to 2 690 MHz (LTE B41 HPUE) 1 710 MHz to 1 780 MHz (LTE B66) 663 MHz to 698 MHz (LTE B71) 2 402 MHz to 2 480 MHz (Bluetooth) 2 412 MHz to 2 462 MHz (WiFi 2.4 GHz) 5 180 MHz to 5 240 MHz (WiFi 5 GHz_UNII 1) 5 260 MHz to 5 320 MHz (WiFi 5 GHz_UNII 2A) 5 500 MHz to 5 720 MHz (WiFi 5 GHz_UNII 2C) 5 745 MHz to 5 825 MHz (WiFi 5 GHz_UNII 3) 13.56 MHz (NFC)
-------------------------------------	---

1.2 Tested System Details

All equipment descriptions used in the tested system (including inserted cards) are:

Device Type	Model Name	Serial Number	Manufacturer
EUT	LM-K735MM	-	LG
Notebook PC	ProBook6560b	5CB2053MXF	HP
Notebook PC Adaptor	Series PPP009L-E	-	LITE-ON TECHNOLOGY (CHANGZHOU)
Gateway	DIR-806M	-	D-Link
Gateway Adaptor	AMS1-0501200FK	-	D-Link
Serial Mouse	Serial 2 Button mouse	02031069	Radio Shack
RJ45 cable	-	-	-
DATA Cable	EAD64746101	-	Ningbo
DATA Cable	EAD64746109	-	Ningbo
DATA Cable	EAD64746102	-	Luxshare
DATA Cable	EAD64746105	-	KSD
Earphone	EAB64468444	-	CRESYN
Micro SD Card	SAMSUNG EVO+ microSDXC CLASS10 UHS- I (256 GB)	-	SAMSUNG

1.3 Cable Description

Product Name	Port	Power Cord Shielded (Y/N)	I/O Cable Shielded (Y/N)	Length (m)
EUT	USB Type C	Y	Y	(P, D) 1.0
	Earphone	N/A	N	(D) 1.2
Notebook PC	RJ 45	N/A	N	(D) 1.6
	Serial(Mouse)	N/A	Y	(D) 1.8
	DC IN	N	N/A	(P) 1.8
Gateway	DC IN	N	N/A	(P) 1.8

NOTE. The marked "(D)" means the data cable and "(P)" means the power cable.

1.4 Noise Suppression Parts on Cable (I/O Cable)

Product Name	Port	Ferrite Bead (Y/N)	Location	Metal Hood (Y/N)	Location
EUT	USB Type C	N	N/A	Y	Both End
	Earphone	N	N/A	Y	EUT End
Notebook PC	RJ 45	N	N/A	N	N/A
	Serial(Mouse)	N	N/A	Y	Notebook PC End

1.5 Test Facility

Test site is located at 74, Seoicheon-ro 578beon-gil, Majang-myeon, Icheon-si, Gyeonggi-do, Korea. Those measurement facilities are constructed in conformance with the requirements of ANSI C63.4-2014. The Normalized site attenuations (30 MHz to 1 GHz) and Site validation (1 GHz to 18 GHz) were performed in accordance with the standard in ANSI C63.4-2014. Our laboratories are accredited and designated in accordance with the provisions of Radio Waves ACT and International Standard ISO/IEC 17025:2017. (National Radio Research Agency, Designation No. KR0032)

1.6 Calibration of Measuring Instrument

The measuring equipment, which was utilized in performing the tests documented herein, has been calibrated in accordance with the manufacturers recommendations for utilizing calibration equipment, which is traceable to recognized national standards. Especially, all antenna for measurement is calibrated in accordance with the requirements of C63.5:2017

1.7 Measurement Uncertainty

The measurement uncertainties shown below were calculated in accordance with the requirements of ANSI C63.4-2014. All measurement uncertainty values are shown with a coverage factor of $k = 2$ to indicate a 95 % level of confidence. The measurement data shown herein meets or exceeds the U_{CISPR} measurement uncertainty values specified in CISPR 16-4-2 and, thus, can be compared directly to specified limits to determine compliance.

Test Item	Test Site (Chamber)	Expanded Uncertainty
Conducted Emission (0.15 MHz to 30 MHz)	EMI Shield Room	1.58 dB
Radiated Emissions (30 MHz to 1 GHz)	3 m Semi Anechoic Chamber #1	4.86 dB
Radiated Emissions (1 GHz to 18 GHz)	3 m Semi Anechoic Chamber #1	4.58 dB
Radiated Emissions (18 GHz to 40 GHz)	3 m Semi Anechoic Chamber #1	5.54 dB

2. DESCRIPTION OF TEST

2.1 Measurement of Conducted Emission

The test procedure was in accordance with ANSI C63.4-2014, Clause 7.3

- a. The EUT was placed 0.4 meters from the conducting wall of the shielded room with EUT being connected to the power mains through a line impedance stabilization network (LISN).
If the EUT is connected to the PC through USB, the AC power-line adapter of the PC is directly connected to a line impedance stabilization network (LISN).
Other support units were connected to the power mains through another LISN. The two LISNs provide 50 Ohm/50uH of coupling impedance for the measuring instrument.
- b. Both conducted lines are measured in Quasi-Peak and Average mode, including the worst-case data points for each tested configuration.
- c. The frequency range from 150 kHz to 30 MHz was searched.

Conducted Emission Limits

Frequency (MHz)	Resolution Bandwidth (kHz)	Class A		Class B	
		Quasi-Peak (dB μ V)	Average (dB μ V)	Quasi-Peak (dB μ V)	Average (dB μ V)
0.15 to 0.5	9	79	66	66 to 56*	56 to 46*
0.5 to 5	9	73	60	56	46
5 to 30	9	73	60	60	50

NOTE. Decreases with the logarithm of the frequency.

2.2 Measurement of Radiated Emission

The test procedure was in accordance with ANSI C63.4-2014, Clause 8.3

- a. The EUT was placed on the top of a turn table 0.8 meters above the ground at a semi-anechoic chamber. The table was rotated 360 degrees to determine the position of the highest radiation.
- b. The EUT was set 3 m away from the interference-receiving antenna, which was mounted on the top of a variable-height antenna tower.
- c. The antenna height is varied from 1 m to 4 m above the ground to determine the maximum value of the field strength. Both horizontal and vertical polarizations of the antenna are set to make the measurement.
- d. For each suspected emission, the EUT was arranged to its worst case and then the antenna was tuned to heights from 1 m to 4 m and the turn table was turned from 0 degrees to 360 degrees to find the maximum reading.
- e. The test-receiver system was set to Quasi-Peak detect function and specified bandwidth with maximum hold mode when the test frequency is below 1 GHz.
- f. The test-receiver system was set to Peak and Average detect function and specified bandwidth with maximum hold mode when the test frequency is above 1 GHz.
- g. Place the measurement antenna away from each area of the EUT determined to be a source of emissions at the specified measurement distance, while keeping the measurement antenna aimed at the source of emissions at each frequency of significant emissions, with polarization oriented for maximum response.
(1 GHz to 40 GHz)

Radiated Emission Limits

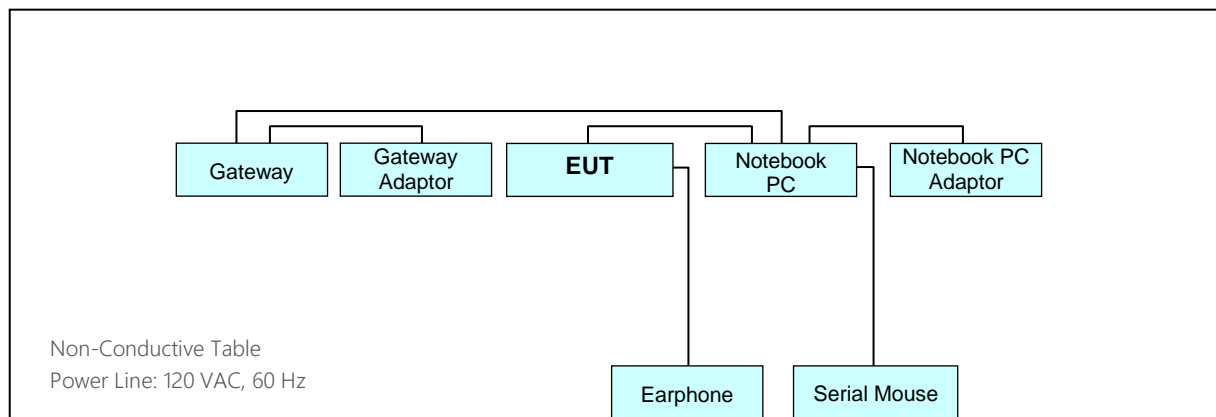
Frequency (MHz)	Class A			Class B		
	Antenna Distance (m)	Field Strength ($\mu\text{V}/\text{m}$)	Quasi-Peak ($\text{dB}\mu\text{V}/\text{m}$)	Antenna Distance (m)	Field Strength ($\mu\text{V}/\text{m}$)	Quasi-Peak ($\text{dB}\mu\text{V}/\text{m}$)
30 to 88	10	90	39.0	3	100	40.0
88 to 216	10	150	43.5	3	150	43.5
216 to 960	10	210	46.4	3	200	46.0
Above 960	10	300	49.5	3	500	54.0
Frequency (MHz)	Antenna Distance (m)	Class A		Class B		
		Peak ($\text{dB}\mu\text{V}/\text{m}$)	Average ($\text{dB}\mu\text{V}/\text{m}$)	Peak ($\text{dB}\mu\text{V}/\text{m}$)	Average ($\text{dB}\mu\text{V}/\text{m}$)	
Above 1 000	3	80	60	74	54	

2.2.1 Frequency Range of Radiated Measurements

An unintentional radiator, including a digital device, the spectrum shall be investigated from the lowest radio frequency signal generated or used in the device, without going below the lowest frequency for which a Radiated Emission limit is specified, up to the frequency shown in the following table

Highest frequency generated or used in the device or on which the device operates or tunes (MHz)	Upper frequency of measurement range (MHz)
Below 1.705	30
1.705 to 108	1 000
108 to 500	2 000
500 to 1 000	5 000
Above 1 000	5th harmonic of the highest frequency or 40 GHz, whichever is lower

2.3 Configuration of Tested System



3. PRELIMINARY TEST

3.1 Conducted Emission

It was tested the following operating mode, after connecting all peripheral devices.

Operating Modes: Data Communication mode

3.2 Radiated Emission

It was tested the following operating mode, after connecting all peripheral devices.

Operating Modes: Data Communication mode

4. CONDUCTED EMISSION AND RADIATED EMISSION TEST SUMMARY

4.1 Conducted Emission

4.1.1 Measuring instruments

	Type	Manufacturer	Model Name	Serial Number	Calibration Cycle	Calibration Date
<input checked="" type="checkbox"/>	EMI Test Receiver	Rohde & Schwarz	ESR7	101910	1 year	09.16.2020
<input checked="" type="checkbox"/>	LISN	Rohde & Schwarz	ENV216	102245	1 year	09.04.2020
<input checked="" type="checkbox"/>	LISN	Rohde & Schwarz	ENV216	100073	1 year	04.27.2020
<input checked="" type="checkbox"/>	Software	Rohde & Schwarz	EMC32	-	-	-

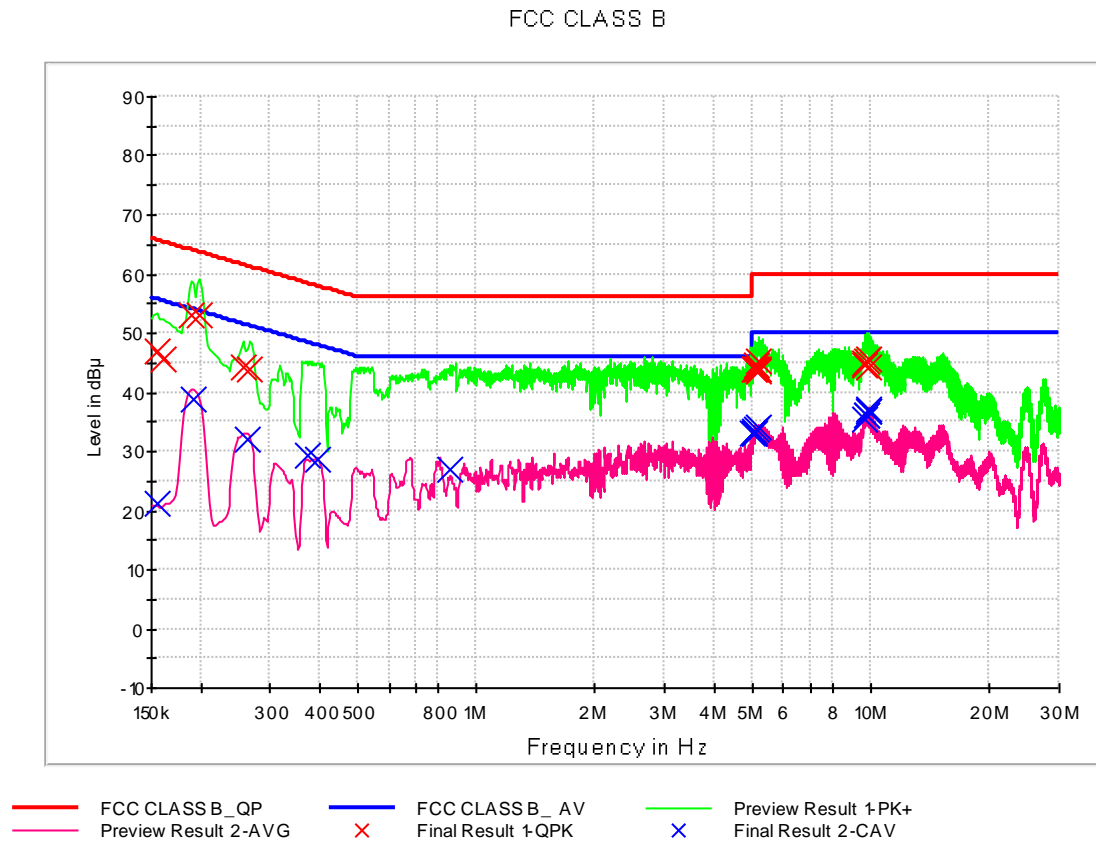
4.1.2 Operating Condition

The test results of conducted emission at mains ports provide the following information:

Test Standard Used	FCC CFR 47 PART 15 Subpart B Class B ANSI C63.4-2014
Frequency Range	150 kHz to 30 MHz
Detector	Quasi-Peak, CISPR-Average
Bandwidth	9 kHz (6 dB)
Worst Case of Data Cable	EAD64746105 (KSD)
Test Site	EMI Shield Room
Temperature	22.8 °C
Relative Humidity	44.6 %
Test Date	December 23, 2020

4.1.3 Measuring Data

Figure 1: Conducted Emission, AC Main Port, Line (L1)



QuasiPeak Final Result, Line (L1)

Frequency (MHz)	QuasiPeak (dB μ V)	Bandwidth (kHz)	Line	Corr. (dB)	Margin (dB)	Limit (dB μ V)
0.154500	47.0	9.000	L1	9.8	18.8	65.8
0.161250	45.7	9.000	L1	9.8	19.7	65.4
0.190500	53.0	9.000	L1	9.8	11.0	64.0
0.199500	53.0	9.000	L1	9.8	10.7	63.6
0.255750	44.2	9.000	L1	9.7	17.4	61.6
0.267000	43.8	9.000	L1	9.7	17.4	61.2
5.054000	43.8	9.000	L1	9.9	16.2	60.0
5.099000	43.8	9.000	L1	9.9	16.2	60.0
5.123750	44.0	9.000	L1	9.9	16.0	60.0
5.132750	44.5	9.000	L1	9.9	15.5	60.0
5.166500	43.5	9.000	L1	9.9	16.5	60.0
5.173250	44.0	9.000	L1	9.9	16.0	60.0
5.191250	45.3	9.000	L1	9.9	14.7	60.0
9.673250	45.0	9.000	L1	10.0	15.0	60.0
9.698000	44.7	9.000	L1	10.0	15.3	60.0
9.767750	45.3	9.000	L1	10.0	14.7	60.0
9.835250	45.6	9.000	L1	10.0	14.4	60.0
9.907250	44.3	9.000	L1	10.0	15.7	60.0

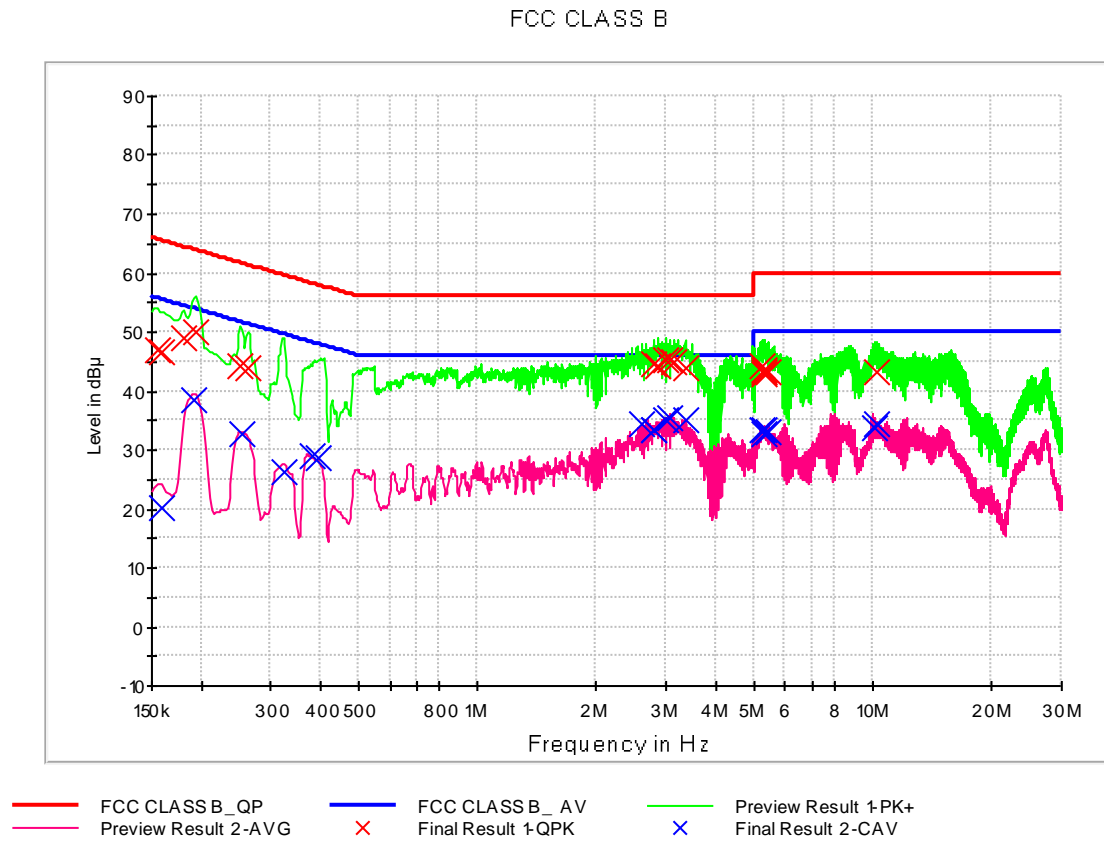
Calculation Formula:

1. Conductor L1 = Hot, Conductor N = Neutral
2. Corr. = LISN Factor + Cable Loss
3. QuasiPeak or CAverage= Receiver Reading + Corr.
4. Margin = Limit – QuasiPeak or CAverage

CAverage Final Result, Line (L1)

Frequency (MHz)	CAverage (dB μ V)	Bandwidth (kHz)	Line	Corr. (dB)	Margin (dB)	Limit (dB μ V)
0.154500	21.3	9.000	L1	9.8	34.5	55.8
0.192750	38.9	9.000	L1	9.8	15.0	53.9
0.262500	32.0	9.000	L1	9.7	19.3	51.4
0.372750	29.4	9.000	L1	9.7	19.1	48.4
0.395250	28.5	9.000	L1	9.7	19.4	48.0
0.860000	27.0	9.000	L1	9.8	19.0	46.0
5.033750	33.1	9.000	L1	9.9	16.9	50.0
5.054000	33.1	9.000	L1	9.9	16.9	50.0
5.076500	32.9	9.000	L1	9.9	17.1	50.0
5.090000	33.4	9.000	L1	9.9	16.6	50.0
5.132750	33.6	9.000	L1	9.9	16.4	50.0
5.173250	33.9	9.000	L1	9.9	16.1	50.0
9.673250	35.5	9.000	L1	10.0	14.5	50.0
9.738500	36.2	9.000	L1	10.0	13.8	50.0
9.772250	36.1	9.000	L1	10.0	13.9	50.0
9.837500	36.9	9.000	L1	10.0	13.1	50.0
9.902750	36.7	9.000	L1	10.0	13.3	50.0
9.927500	37.2	9.000	L1	10.0	12.8	50.0

Figure 2: Conducted Emission, AC Main Port, Line (N)



QuasiPeak Final Result, Line (N)

Frequency (MHz)	QuasiPeak (dB μ V)	Bandwidth (kHz)	Line	Corr. (dB)	Margin (dB)	Limit (dB μ V)
0.154500	47.1	9.000	N	9.7	18.6	65.8
0.159000	46.5	9.000	N	9.7	19.0	65.5
0.181500	49.1	9.000	N	9.7	15.3	64.4
0.195000	50.1	9.000	N	9.7	13.7	63.8
0.251250	44.1	9.000	N	9.7	17.6	61.7
0.262500	43.8	9.000	N	9.7	17.6	61.4
2.801750	44.7	9.000	N	9.8	11.3	56.0
2.869250	44.3	9.000	N	9.8	11.7	56.0
3.006500	45.3	9.000	N	9.8	10.7	56.0
3.074000	45.3	9.000	N	9.8	10.7	56.0
3.143750	44.8	9.000	N	9.8	11.2	56.0
3.348500	43.9	9.000	N	9.8	12.1	56.0
5.258750	44.1	9.000	N	9.8	15.9	60.0
5.306000	42.9	9.000	N	9.8	17.1	60.0
5.328500	43.7	9.000	N	9.8	16.3	60.0
5.335250	43.2	9.000	N	9.8	16.8	60.0
5.463500	43.1	9.000	N	9.8	16.9	60.0
10.265000	43.3	9.000	N	9.9	16.7	60.0

CAverage Final Result, Line (N)

Frequency (MHz)	CAverage (dB μ V)	Bandwidth (kHz)	Line	Corr. (dB)	Margin (dB)	Limit (dB μ V)
0.159000	20.2	9.000	N	9.7	35.3	55.5
0.192750	38.4	9.000	N	9.7	15.5	53.9
0.253500	32.6	9.000	N	9.7	19.1	51.6
0.325500	26.2	9.000	N	9.7	23.4	49.6
0.384000	28.9	9.000	N	9.7	19.3	48.2
0.395250	28.6	9.000	N	9.7	19.3	48.0
2.594750	34.4	9.000	N	9.8	11.6	46.0
2.777000	33.3	9.000	N	9.8	12.7	46.0
2.801750	33.3	9.000	N	9.8	12.7	46.0
3.006500	35.1	9.000	N	9.8	10.9	46.0
3.076250	35.3	9.000	N	9.8	10.7	46.0
3.348500	34.9	9.000	N	9.8	11.1	46.0
5.258750	33.3	9.000	N	9.8	16.7	50.0
5.326250	32.6	9.000	N	9.8	17.4	50.0
5.335250	33.3	9.000	N	9.8	16.7	50.0
5.463500	32.9	9.000	N	9.8	17.1	50.0
10.154750	33.8	9.000	N	9.9	16.2	50.0
10.181750	34.5	9.000	N	9.9	15.5	50.0

4.2 Radiated Emission Below 1 GHz

4.2.1 Measuring instruments

Type	Manufacturer	Model Name	Serial Number	Calibration Cycle	Calibration Date
<input checked="" type="checkbox"/> EMI test receiver	Rohde & Schwarz	ESU40	100524	1 year	05.12.2020
<input checked="" type="checkbox"/> Bi-Log antenna	Schwarzbeck	VULB 9168	255	2 year	03.26.2019
<input checked="" type="checkbox"/> Antenna master	INNCO Systems	MA4640-XP-ET	-	N/A	-
<input checked="" type="checkbox"/> Antenna master controller	INNCO Systems	CO3000	CO3000/870/ 35990515/L	N/A	-
<input checked="" type="checkbox"/> Turn table	INNCO Systems	1060	-	N/A	-
<input checked="" type="checkbox"/> Turn table controller	INNCO Systems	CO2000	CO2000/095/ 7590304/L	N/A	-
<input checked="" type="checkbox"/> Software	Rohde & Schwarz	EMC32	-	-	-

4.2.2 Operating Condition

The test results of radiated emission provide the following information:

Used Test Standard	FCC CFR 47 PART 15 Subpart B Class B ANSI C63.4-2014
Frequency Range	30 MHz to 1 000 MHz
Detector	Quasi-Peak
Bandwidth	120 kHz (6 dB)
Worst Case of Data Cable	EAD64746105 (KSD)
Measurement Distance	3 m
Test Site	3 m Semi Anechoic Chamber #1
Temperature	23.9 °C
Relative Humidity	44.5 %
Test Date	December 21, 2020

4.2.3 Measuring Data

Frequency (MHz)	Quasi Peak (dB μ V/m)	Antenna Height (cm)	POL. (H/V)	Azimuth (deg)	Corr. (dB)	Margin (dB)	Limit (dB μ V/m)
30.095440	29.8	100.0	V	100.0	18.3	10.2	40.0
68.065720	25.3	325.1	H	23.0	18.3	14.7	40.0
110.269640	25.5	116.7	V	331.0	16.3	18.0	43.5
266.441200	28.6	117.9	H	156.0	19.3	17.4	46.0
299.921200	30.5	125.1	H	308.0	20.5	15.5	46.0
479.952720	41.8	100.0	H	85.0	24.7	4.2	46.0

- Calculation Formula:

1. POL. H = Horizontal, POL. V = Vertical
2. QuasiPeak = Reading (Receiver Reading) + Corr.
3. Corr. (Correction Factor) = Antenna Factor + Cable Loss
4. Margin = Limit - QuasiPeak

4.3 Radiated Emission Above 1 GHz

4.3.1 Measuring instruments

Type	Manufacturer	Model Name	Serial Number	Calibration Cycle	Calibration Date
<input checked="" type="checkbox"/> EMI test receiver	Rohde & Schwarz	ESU40	100524	1 year	05.12.2020
<input checked="" type="checkbox"/> Antenna master	INNCO Systems	MA4640-XP-ET	-	N/A	-
<input checked="" type="checkbox"/> Antenna master controller	INNCO Systems	CO3000	CO3000/870/ 35990515/L	N/A	-
<input checked="" type="checkbox"/> Turn table	INNCO Systems	1060	-	N/A	-
<input checked="" type="checkbox"/> Turn table controller	INNCO Systems	CO2000	CO2000/095/ 7590304/L	N/A	-
<input checked="" type="checkbox"/> Low noise amplifier	TESTEK	TK-PA18H	170034-L	1 year	03.03.2020
<input checked="" type="checkbox"/> Low noise amplifier	TESTEK	TK-PA1840H	170030-L	1 year	02.13.2020
<input checked="" type="checkbox"/> Horn antenna	Schwarzbeck	BBHA 9120D	01836	1 year	07.23.2020
<input checked="" type="checkbox"/> Horn antenna	Schwarzbeck	BBHA 9170	BBHA9170#786	1 year	11.18.2020
<input checked="" type="checkbox"/> Software	Rohde & Schwarz	EMC32	-	-	-

4.3.2 Operating Condition

The test results of radiated emission provide the following information:

Used Test Standard	FCC CFR 47 PART 15 Subpart B Class B ANSI C63.4-2014
Detector	Peak mode: Peak (RBW: 1 MHz, VBW: 3 MHz) CISPR-Average mode: Peak (RBW: 1 MHz, VBW: 10 Hz)
Highest Frequency	5 825 MHz
Tested Frequency Range	1 GHz to 30 GHz
Worst Case of Data Cable	EAD64746105 (KSD)
Measurement Distance	3 m
Test Site	3 m Semi Anechoic Chamber #1
Temperature	23.2 °C
Relative Humidity	46.3 %
Test Date	December 28, 2020

4.3.3 Measuring Data

Frequency (MHz)	Peak (dB μ V/m)	Antenna Height (cm)	POL. (H/V)	Azimuth (deg)	Corr. (dB)	Margin (dB)	Limit (dB μ V/m)
1328.760000	38.9	308.6	V	239.0	-28.1	35.1	74.0
1992.880000	43.0	113.3	V	50.0	-26.5	31.0	74.0
2595.705000	53.0	291.4	V	54.0	-23.7	21.0	74.0
4499.545000	42.8	190.4	V	0.0	-19.1	31.2	74.0
5974.620000	41.6	100.0	V	118.0	-16.3	32.4	74.0
17981.953500	56.1	349.8	H	50.0	9.4	17.9	74.0

Frequency (MHz)	CAverage (dB μ V/m)	Antenna Height (cm)	POL. (H/V)	Azimuth (deg)	Corr. (dB)	Margin (dB)	Limit (dB μ V/m)
1328.760000	21.8	308.6	V	239.0	-28.1	32.2	54.0
1992.880000	26.8	113.3	V	50.0	-26.5	27.2	54.0
2595.705000	33.7	291.4	V	54.0	-23.7	20.3	54.0
4499.545000	24.6	190.4	V	0.0	-19.1	29.4	54.0
5974.620000	26.1	100.0	V	118.0	-16.3	27.9	54.0
17981.953500	43.0	349.8	H	50.0	9.4	11.0	54.0

- Calculation Formula:

1. POL. H = Horizontal, POL. V = Vertical
2. Peak or CAverage = Reading (Receiver Reading) + Corr.
3. Corr. (Correction Factor) = Antenna Factor+ Cable Loss –Amplifier Gain
4. Margin = Limit - Peak or CAverage

5. CONCLUSION

The data collected shows that the **Product Name: Multi-band GSM/WCDMA/LTE Phone with WLAN, Bluetooth, NFC / Model: LM-K735MM** complies with §15.107 and §15.109 of the FCC rules.

6. APPENDIX A. TEST SETUP PHOTO

Please refer to Appendix. A and test setup photo file no. as follows;

File No.	Date of Issue	Description
HCT-EM-2101-FC005-P	January 08, 2021	Initial Release

End of report