

HAC-RF Emission

Communication System: UID 0, CW; Frequency: 835 MHz; Duty Cycle: 1:1

Phantom section: RF Section

DASY5 Configuration:

- Probe: ER3DV6 - SN2540; ConvF(1, 1, 1); Calibrated: 8/26/2014;
- Sensor-Surface: (Fix Surface)
- Electronics: DAE4 Sn1259; Calibrated: 1/14/2015
- Phantom: HAC Test Arch with AMCC; Type: SD HAC P01 BB
- Measurement SW: DASY52, Version 52.8 (7);SEMCAD X Version 14.6.10 (7164)

Dipole E-Field measurement/835 MHz/Hearing Aid Compatibility Test at 15mm distance

(41x361x1): Interpolated grid: dx=0.5000 mm, dy=0.5000 mm

Device Reference Point: 0, 0, -6.3 mm

Reference Value = 121.8 V/m; Power Drift = 0.08 dB

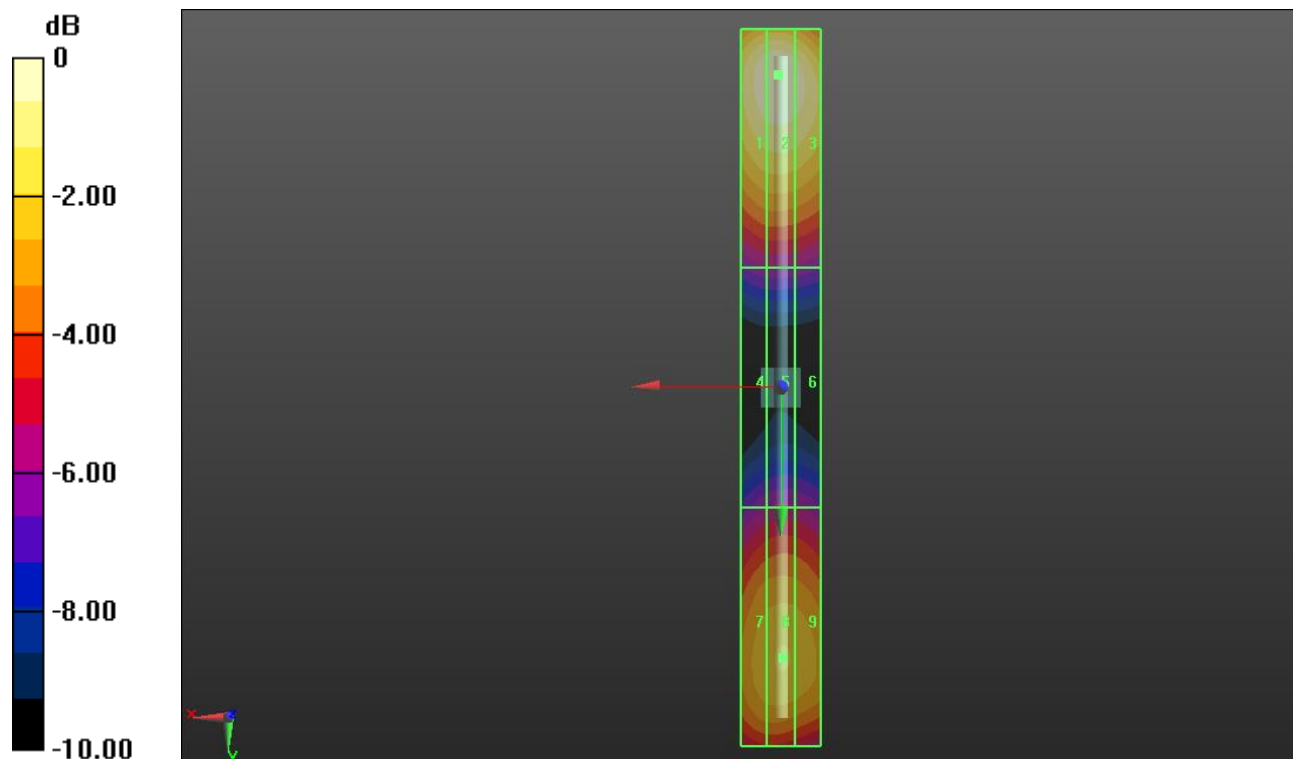
PMR not calibrated. PMF = 1.000 is applied.

E-field emissions = 125.1 V/m

Near-field category: **M4 (AWF 0 dB)**

PMF scaled E-field

Grid 1 M4 123.2 V/m	Grid 2 M4 125.1 V/m	Grid 3 M4 121.0 V/m
Grid 4 M4 62.63 V/m	Grid 5 M4 64.21 V/m	Grid 6 M4 63.67 V/m
Grid 7 M4 98.24 V/m	Grid 8 M4 99.96 V/m	Grid 9 M4 98.83 V/m



0 dB = 125.1 V/m = 41.95 dBV/m

HAC-RF Emission

Communication System: UID 0, CW; Frequency: 1880 MHz; Duty Cycle: 1:1

Phantom section: RF Section

DASY5 Configuration:

- Probe: ER3DV6 - SN2540; ConvF(1, 1, 1); Calibrated: 8/26/2014;
- Sensor-Surface: (Fix Surface)
- Electronics: DAE4 Sn1259; Calibrated: 1/14/2015
- Phantom: HAC Test Arch with AMCC; Type: SD HAC P01 BB
- Measurement SW: DASY52, Version 52.8 (7);SEMCAD X Version 14.6.10 (7164)

Dipole E-Field measurement/1880 MHz/Hearing Aid Compatibility Test at 15mm distance (41x181x1):

Interpolated grid: dx=0.5000 mm, dy=0.5000 mm

Device Reference Point: 0, 0, -6.3 mm

Reference Value = 129.9 V/m; Power Drift = -0.14 dB

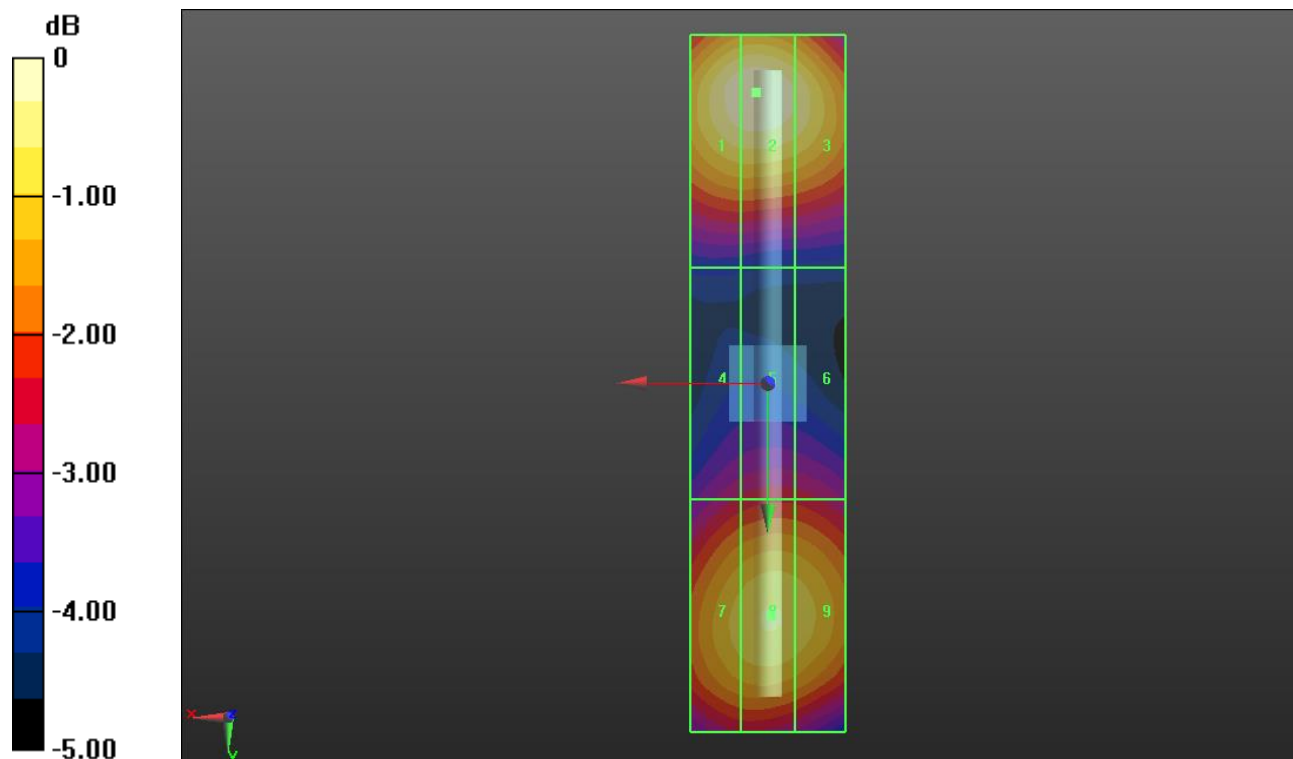
PMR not calibrated. PMF = 1.000 is applied.

E-field emissions = 92.74 V/m

Near-field category: **M3 (AWF 0 dB)**

PMF scaled E-field

Grid 1 M3 91.98 V/m	Grid 2 M3 92.74 V/m	Grid 3 M3 89.29 V/m
Grid 4 M3 68.98 V/m	Grid 5 M3 70.51 V/m	Grid 6 M3 70.22 V/m
Grid 7 M3 84.28 V/m	Grid 8 M3 86.25 V/m	Grid 9 M3 85.24 V/m



0 dB = 92.74 V/m = 39.35 dBV/m

HAC-RF Emission

Communication System: UID 0, CW (0); Frequency: 2600 MHz; Duty Cycle: 1:1

Phantom section: RF Section

DASY5 Configuration:

- Probe: ER3DV6 - SN2540; ConvF(1, 1, 1); Calibrated: 8/26/2014;
- Sensor-Surface: (Fix Surface)
- Electronics: DAE4 Sn1259; Calibrated: 1/14/2015
- Phantom: HAC Test Arch with AMCC; Type: SD HAC P01 BB
- Measurement SW: DASY52, Version 52.8 (7);SEMCAD X Version 14.6.10 (7164)

Dipole E-Field measurement/2600 MHz/Hearing Aid Compatibility Test at 15mm distance (41x181x1):

Interpolated grid: dx=0.5000 mm, dy=0.5000 mm

Device Reference Point: 0, 0, -6.3 mm

Reference Value = 71.82 V/m; Power Drift = 0.07 dB

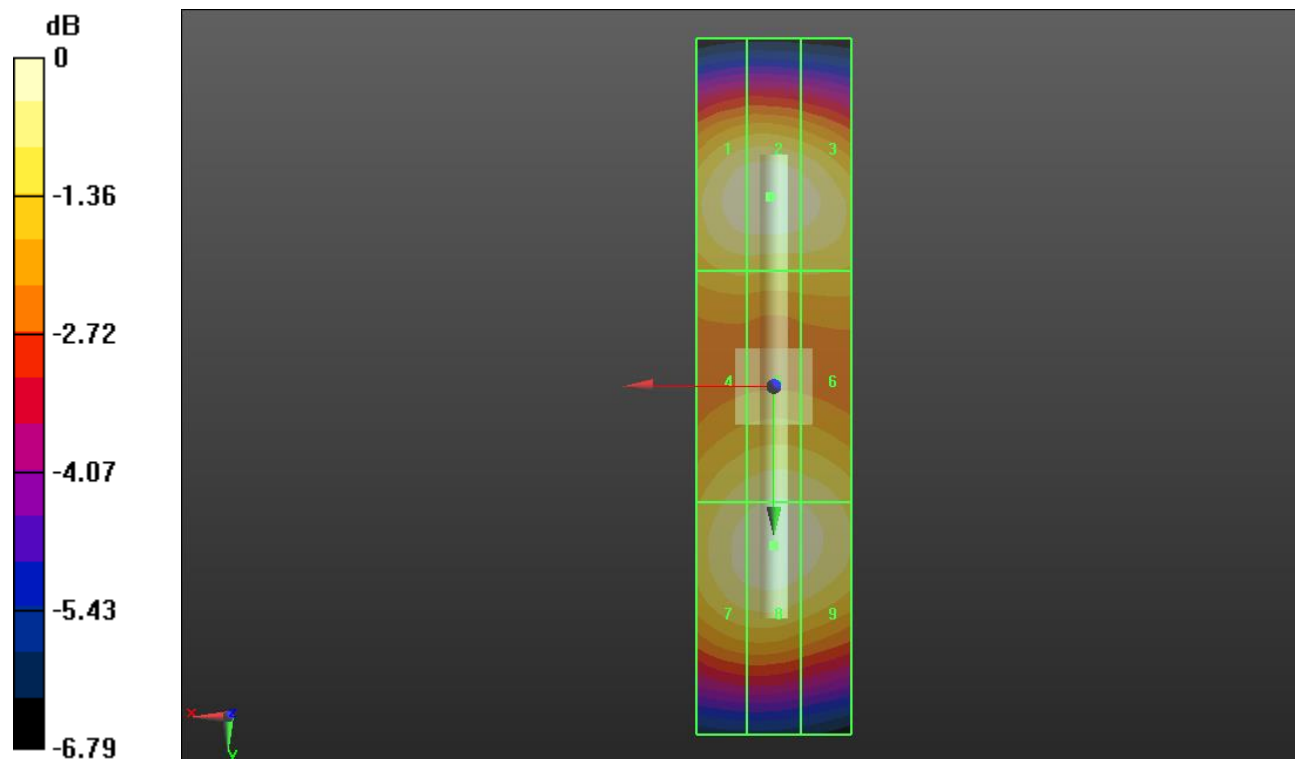
PMR not calibrated. PMF = 1.000 is applied.

E-field emissions = 88.29 V/m

Near-field category: **M3 (AWF 0 dB)**

PMF scaled E-field

Grid 1 M3 87.44 V/m	Grid 2 M3 88.29 V/m	Grid 3 M3 86.34 V/m
Grid 4 M3 82.63 V/m	Grid 5 M3 84.40 V/m	Grid 6 M3 83.79 V/m
Grid 7 M3 85.92 V/m	Grid 8 M3 87.49 V/m	Grid 9 M3 86.20 V/m



0 dB = 88.29 V/m = 38.92 dBV/m