

EMI TEST REPORT

FCC CERTIFICATION

Applicant:

LG Electronics MobileComm U.S.A., Inc.
1000 Sylvan Avenue, Englewood Cliffs NJ 07632
United States

Date of Receipt: April 09, 2018**Date of Issue: April 20, 2018****Test Report No. HCT-EM-1804-FC031****FCC ID :****ZNFG710VM**

Rule Part(s) / Standard(s) : FCC CFR 47 PART 15 Subpart B Class B
FCC Classification : JAB (Part 15B – Class B Digital Device)
EUT Type : Multi-band CDMA/GSM/EDGE/WCDMA/LTE phone with
WLAN, Bluetooth and RFID
Model Name : LM-G710VM
Additional Model Name : LMG710VM, G710VM, LG-G710PM, LGG710PM, G710PM.
LM-G710ULM, LMG710ULM, G710ULM, LM-G710VMP,
LMG710VMP, G710VMP
Date of Test : April 10, 2018 – April 17, 2018

The device bearing the trade name and model specified above, has been shown to comply with the applicable technical standards as indicated in the measurement report and was tested in accordance with the measurement procedures specified in ANSI C63.4-2014. (See Test Report if any modifications were made for compliance)

I attest to the accuracy of data. All measurements reported herein were performed by me or were made under my supervision and are correct to the best of my knowledge and belief. I assume full responsibility for the completeness of these measurements and vouch for the qualifications of all persons taking them.

HCT certifies that no party to application has been denied the FCC benefits pursuant to Section 5301 of the Anti-Drug Abuse Act of 1988, 21 U.S.C 862

Tested By

Wook Yi
Test Engineer
EMC Team
Certification Division

Reviewed By

Jin-Pyo Hong
Technical Manager
EMC Team
Certification Division

This report only responds to the tested sample and may not be reproduced, except in full, without written approval of the HCT Co., Ltd.



REVISION HISTORY

The revision history for this document is shown in table.

Report No.	Issue Date	Information About Changes
HCT-EM-1804-FC031	April 20, 2018	Initial Release



TABLE OF CONTENTS

	PAGE
1. GENERAL INFORMATION	4
1.1 Description of EUT	4
1.2 Related Submittal(s) / Grant(s)	5
1.3 Test Facility	5
1.4 Calibration of Measuring Instrument	5
1.5 Tested System Details	6
1.6 Cable Description	6
1.7 Noise Suppression Parts on Cable. (I/O Cable)	6
2. MEASUREMENT UNCERTAINTY	7
3. DESCRIPTION OF TEST	8
3.1 Measurement of Conducted Emission.....	8
3.2 Measurement of Radiated Measurements	10
4. PRELIMINARY TEST	11
4.1 Conducted Emission Test(Not Applicable)	11
4.2 Radiated Emission Test	11
5. CONDUCTED AND RADIATED EMISSION TEST SUMMARY	12
5.1 Conducted Emission Test(Not Applicable)	12
5.2 Radiated Emission Test	13
6. LIST OF TEST EQUIPMENT.....	15
7. CONCLUSION.....	16
8. APPENDIX A_ TEST SETUP PHOTOGRAPHS	17



1. GENERAL INFORMATION

1.1 Description of EUT

Its basic purpose is used for communications.

FCC ID	ZNFG710VM
Model	LM-G710VM
Additional Model	LMG710VM, G710VM, LG-G710PM, LGG710PM, G710PM. LM-G710ULM, LMG710ULM, G710ULM, LM-G710VMP, LMG710VMP, G710VMP
EUT Type	Multi-band CDMA/GSM/EDGE/WCDMA/LTE phone with WLAN, Bluetooth and RFID
TX Frequency	824.70 MHz to 848.31 MHz (CDMA BC0) 1 851.25 MHz to 1 908.75 MHz (CDMA BC1) 817.90 MHz to 823.10 MHz (CDMA BC10) 824.20 MHz to 848.80 MHz (GSM 850) 1 850.20 MHz to 1 909.80 MHz (GSM 1 900) 1 852.4 MHz to 1 907.6 MHz (WCDMA B2) 1712.4 MHz to 1752.6 MHz (WCDMA B4) 826.40 MHz to 846.60 MHz (WCDMA B5) 1 850.7 MHz to 1 909.3 MHz (LTE B2) 1 710 MHz to 1 755 MHz (LTE B4) 824 MHz to 849 MHz (LTE B5) 699 MHz to 716 MHz (LTE B12) 777 MHz to 787 MHz (LTE B13) 704 MHz to 716 MHz (LTE B17) 1 850 MHz to 1 915 MHz (LTE B25) 814 MHz to 849 MHz (LTE B26) 2 496 MHz to 2 690 MHz (LTE B41) 1 710 MHz to 1 780 MHz (LTE B66) 2 402 MHz to 2 480 MHz (Bluetooth) 2 412 MHz to 2 462 MHz (WiFi 2.4 GHz) 5 180 MHz to 5 240 MHz (WiFi 5 GHz_UNII 1) 5 260 MHz to 5 320 MHz (WiFi 5 GHz_UNII 2A) 5 500 MHz to 5 720 MHz (WiFi 5 GHz_UNII 2C) 5 745 MHz to 5 825 MHz (WiFi 5 GHz_UNII 3) 13.56 MHz (NFC)
RX Frequency	869.70 MHz to 893.31 MHz (CDMA BC0) 1 931.25 MHz to 1 988.75 MHz (CDMA BC1) 862.00 MHz to 894.00 MHz (CDMA BC10) 869.20 MHz to 893.80 MHz (GSM 850) 1 930.20 MHz to 1 989.80 MHz (GSM 1 900) 1 932.4 MHz to 1 987.6 MHz (WCDMA B2) 2 112.4 MHz to 2 152.6 MHz (WCDMA B4) 871.40 MHz to 891.60 MHz (WCDMA B5) 1 930 MHz to 1 990 MHz (LTE B2) 2 110 MHz to 2 155 MHz (LTE B4) 869 MHz to 894 MHz (LTE B5)



RX Frequency	729 MHz to 746 MHz (LTE B12) 746 MHz to 756 MHz (LTE B13) 734 MHz to 746 MHz (LTE B17) 1 925 MHz to 1 990 MHz (LTE B25) 859 MHz to 894 MHz (LTE B26) 2 496 MHz to 2 690 MHz (LTE B41) 5150 MHz to 5925 MHz (LTE B46) 2 110 MHz to 2 200 MHz (LTE B66) 2 402 MHz to 2 480 MHz (Bluetooth) 2 412 MHz to 2 462 MHz (WiFi 2.4 GHz) 5 180 MHz to 5 240 MHz (WiFi 5 GHz_UNII 1) 5 260 MHz to 5 320 MHz (WiFi 5 GHz_UNII 2A) 5 500 MHz to 5 720 MHz (WiFi 5 GHz_UNII 2C) 5 745 MHz to 5 825 MHz (WiFi 5 GHz_UNII 3) 13.56 MHz (NFC)
--------------	------------------------------------------------------------------------------------------------------------------------------------------------------------------------------------------------------------------------------------------------------------------------------------------------------------------------------------------------------------------------------------------------------------------------------------------------------------------------------------------------------------------------------------------------------------------------

1.2 Related Submittal(s) / Grant(s)

Original submittal only.

1.3 Test Facility

Test site is located at 74, SEOICHEON-RO, 578BEON-GIL, MAJANG-MYEON, ICHEON-SI, GYEONGGI-DO, SOUTH KOREA. Those measurement facilities are constructed in conformance with the requirements of ANSI C63.4-2014. The Normalized site attenuations (30 MHz to 1 GHz) and Site validation (1 GHz to 18 GHz) were performed in accordance with the standard in ANSI C63.4-2014

Measurement Facilities	Registration Number
Radiated Field strength measurement facility 3 m Semi Anechoic chamber	90661
Radiated Field strength measurement facility 10 m Semi Anechoic chamber	

1.4 Calibration of Measuring Instrument

The measuring equipment, which was utilized in performing the tests documented herein, has been calibrated in accordance with the manufacturers recommendations for utilizing calibration equipments, which is traceable to recognized national standards. Especially, all antenna for measurement is calibrated in accordance with the requirements of C63.5 (Version : 2006).



1.5 Tested System Details

All equipment descriptions used in the tested system (including inserted cards) are:

Device Type	Model Name	Serial Number	Manufacturer	FCC ID / DoC
EUT	LM-G710VM	-	LG	ZNFG710VM
Earphone	EAB63728244	-	CRESYN	Earphone
Wireless charger	EP-PN920	-	SAMSUNG	A3LEPPN920
Travel adaptor	EP-TA20JWE	-	SAMSUNG	-
USB cable	ECB-DU4EWE	-	SAMSUNG	-
Micro SD card	256GB EVO+UHS-I microSDXC U1	-	SAMSUNG	-

1.6 Cable Description

Product Name	Port	Power Cord Shielded (Y/N)	I/O Cable Shielded (Y/N)	Length (m)
EUT	Earphone	Y	Y	(P)1.2
Wireless charger	Micro USB	N/A	Y	(D)1.5

* The marked “(D)” means the data cable and “(P)” means the power cable.

1.7 Noise Suppression Parts on Cable. (I/O Cable)

Product Name	Port	Ferrite Bead (Y/N)	Location	Metal Hood (Y/N)	Location
EUT	Earphone	N	N/A	Y	EUT End
Wireless charger	Micro USB	N	N/A	Y	Both End



2. MEASUREMENT UNCERTAINTY

The measurement uncertainties shown below were calculated in accordance with the requirements of ANSI C63.4-2014.

All measurement uncertainty values are shown with a coverage factor of $k = 2$ to indicate a 95 % level of confidence. The measurement data shown herein meets or exceeds the U_{CISPR} measurement uncertainty values specified in CISPR 16-4-2 and, thus, can be compared directly to specified limits to determine compliance.

Parameter	Expanded Uncertainty (dB)
Conducted Emission (0.15 MHz to 30 MHz)	1.82 dB ($k = 2$)
Radiated Emissions (30 MHz to 1 GHz)	5.20 dB ($k = 2$)
Radiated Emissions (1 GHz to 18 GHz)	5.24 dB ($k = 2$)
Radiated Emissions (18 GHz to 40 GHz)	5.40 dB ($k = 2$)



3. DESCRIPTION OF TEST

3.1 Measurement of Conducted Emission

The test procedure was in accordance with ANSI C63.4-2014, Clause 7.3

- a. The EUT was placed 0.4 meters from the conducting wall of the shielded room with EUT being connected to the power mains through a line impedance stabilization network (LISN).
If the EUT is connected to the PC through USB, the AC power-line adapter of the PC is directly connected to a line impedance stabilization network (LISN).
Other support units were connected to the power mains through another LISN. The two LISNs provide 50 Ohm/ 50uH of coupling impedance for the measuring instrument.
- b. Both conducted lines are measured in Quasi-Peak and Average mode, including the worst-case data points for each tested configuration.
- c. The frequency range from 150 kHz to 30 MHz was searched.

[Conducted Emission Limits]

Frequency (MHz)	Resolution Bandwidth (kHz)	Quasi-Peak (dB(μV))	Average (dB(μV))
0.15 to 0.5	9	66 to 56*	56 to 46*
0.5 to 5	9	56	46
5 to 30	9	60	50

**Decreases with the logarithm of the frequency.*



3.2 Measurement of Radiated Emission

The test procedure was in accordance with ANSI C63.4-2014, Clause 8.3

- a. The EUT was placed on the top of a turn table 0.8 meters above the ground at a semi-anechoic chamber. The table was rotated 360 degrees to determine the position of the highest radiation.
- b. The EUT was set 3 m away from the interference-receiving antenna, which was mounted on the top of a variable-height antenna tower.
- c. The antenna height is varied from 1 m to 4 m above the ground to determine the maximum value of the field strength. Both horizontal and vertical polarizations of the antenna are set to make the measurement.
- d. For each suspected emission, the EUT was arranged to its worst case and then the antenna was tuned to heights from 1 m to 4 m and the turn table was turned from 0 degrees to 360 degrees to find the maximum reading.
- e. The test-receiver system was set to Quasi-Peak detect function and specified bandwidth with maximum hold mode when the test frequency is below 1 GHz.
- f. The test-receiver system was set to Peak and Average detect function and specified bandwidth with maximum hold mode when the test frequency is above 1 GHz.
- g. Place the measurement antenna away from each area of the EUT determined to be a source of emissions at the specified measurement distance, while keeping the measurement antenna aimed at the source of emissions at each frequency of significant emissions, with polarization oriented for maximum response.(1 GHz to 40 GHz)

[Radiated Emission Limits]

Frequency (MHz)	Antenna Distance (m)	Field Strength ($\mu\text{V}/\text{m}$)	Quasi-Peak ($\text{dB}(\mu\text{V})/\text{m}$)
30 to 88	3	100	40.0
88 to 216	3	150	43.5
216 to 960	3	200	46.0
Above 960	3	500	54.0
Frequency (MHz)	Antenna Distance (m)	Peak ($\text{dB}(\mu\text{V})/\text{m}$)	Average ($\text{dB}(\mu\text{V})/\text{m}$)
Above 1 000	3	74	54

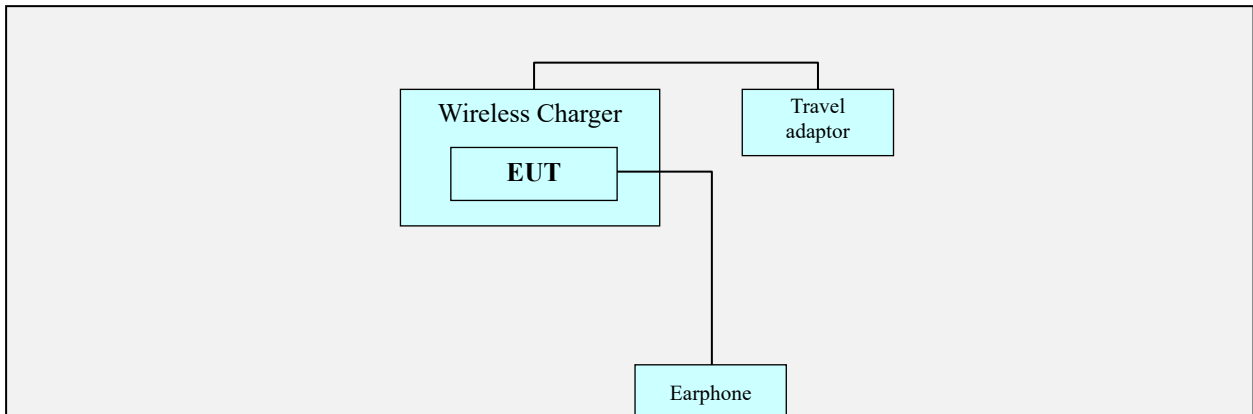


3.2.1 Frequency Range of Radiated Measurements

An unintentional radiator, including a digital device, the spectrum shall be investigated from the lowest radio frequency signal generated or used in the device, without going below the lowest frequency for which a Radiated Emission limit is specified, up to the frequency shown in the following table

Highest frequency generated or used in the device or on which the device operates or tunes (MHz)	Upper frequency of measurement range (MHz)
Below 1.705	30
1.705 to 108	1 000
108 to 500	2 000
500 to 1 000	5 000
Above 1 000	5 th harmonic of the highest frequency or 40 GHz, whichever is lower

3.3 Configuration of Tested System



Non-Conductive Table
Power Line: 120 VAC, 60 Hz



4. PRELIMINARY TEST

4.1 Conducted Emission Test (Not Applicable)

It was tested the following operating mode, after connecting all peripheral devices.

Operation Mode: Not applicable

4.2 Radiated Emission Test

It was tested the following operating mode, after connecting all peripheral devices.

Operation Mode: Wireless Charging mode



5. CONDUCTED AND RADIATED EMISSION TEST SUMMARY

5.1 Conducted Emission Test (Not Applicable)

The test results of conducted emission at mains ports provide the following information:

Rule Part / Standard	FCC PART 15 Subpart B Class B
Detector	Quasi-Peak, CISPR-Average
Bandwidth	9 kHz (6 dB)
Operation Mode	-
Kind of Test Site	Shielded Room
Temperature	- °C
Relative Humidity	- %
Test Date	-



5.2 Radiated Emission Test

The test results of radiated emission provide the following information:

-For Measurement Below 1 GHz

Rule Part / Standard	FCC PART 15 Subpart B Class B
Detector	Quasi-Peak
Bandwidth	120 kHz (6 dB)
Kind of Test Site	3 m semi anechoic chamber
Temperature	23.2 °C
Relative Humidity	41.1 %
Test Date	April 10, 2018

Frequency (MHz)	Quasi Peak (dB μ V/m)	Antenna Height (cm)	POL. (H/V)	Azimuth (deg)	Corr. (dB)	Margin (dB)	Limit (dB μ V/m)
41.046400	26.3	99.9	V	37.0	19.7	13.7	40.0
55.412800	20.2	174.8	V	0.0	20.0	19.8	40.0
135.164800	20.9	99.8	V	293.0	19.2	22.6	43.5
212.830400	21.6	174.7	V	117.0	17.3	21.9	43.5
250.020000	23.5	225.2	V	350.0	18.8	22.5	46.0
603.022400	27.5	207.7	V	6.0	27.5	18.5	46.0

- Calculation Formula:

1. POL. H = Horizontal, POL. V = Vertical
2. QuasiPeak = Reading (Receiver Reading) + Corr.
3. Corr. (Correction Factor) = Antenna Factor + Cable Loss
4. Margin = Limit - QuasiPeak



-For Measurement Above 1 GHz

Rule Part / Standard	FCC PART 15 Subpart B Class B
Detector	Peak mode: Peak (RBW: 1 MHz, VBW: 3 MHz) CISPR-Average mode: Peak (RBW: 1 MHz, VBW: 10 Hz)
Highest Operating Frequency	5 925 MHz
Tested Frequency Range	1 GHz to 30 GHz
Kind of Test Site	3 m semi anechoic chamber
Temperature	23.7 / 24.3 °C
Relative Humidity	39.5 / 38.1 %
Test Date	April 12 / April 17, 2018

Frequency (MHz)	Peak (dB μ V/m)	Antenna Height (cm)	POL. (H/V)	Azimuth (deg)	Corr. (dB)	Margin (dB)	Limit (dB μ V/m)
1444.280000	29.6	292.5	V	233.0	-28.4	44.4	74.0
2391.205000	32.3	175.4	H	69.0	-24.9	41.7	74.0
3124.115000	33.6	99.8	V	322.0	-22.7	40.4	74.0
5055.885000	36.9	260.6	H	30.0	-18.2	37.1	74.0
6098.345000	38.1	350.0	H	97.0	-16.2	35.9	74.0
9242.090000	42.8	139.7	V	210.0	-11.1	31.2	74.0

Frequency (MHz)	CAverage (dB μ V/m)	Antenna Height (cm)	POL. (H/V)	Azimuth (deg)	Corr. (dB)	Margin (dB)	Limit (dB μ V/m)
1444.280000	17.2	292.5	V	233.0	-28.4	36.8	54.0
2391.205000	19.8	175.4	H	69.0	-24.9	34.2	54.0
3124.115000	21.1	99.8	V	322.0	-22.7	32.9	54.0
5055.885000	24.0	260.6	H	30.0	-18.2	30.0	54.0
6098.345000	25.0	350.0	H	97.0	-16.2	29.0	54.0
9242.090000	30.0	139.7	V	210.0	-11.1	24.0	54.0

- Calculation Formula:

1. POL. H = Horizontal, POL. V = Vertical
2. Peak or CAverage = Reading (Receiver Reading) + Corr.
3. Corr. (Correction Factor) = Antenna Factor+ Cable Loss –Amplifier Gain
4. Margin = Limit - Peak or CAverage



6. LIST OF TEST EQUIPMENT

<u>Type</u>	<u>Manufacturer</u>	<u>Model Name</u>	<u>Serial Number</u>	<u>Calibration Cycle</u>	<u>CAL.Date</u>
<u>Conducted Emission</u>					
<input type="checkbox"/> EMI Test Receiver	Rohde & Schwarz	ESCI	100584	1 year	06.20.2017
<input type="checkbox"/> EMI Test Receiver	Rohde & Schwarz	ESCI	100033	1 year	06.27.2017
<input type="checkbox"/> LISN	Rohde & Schwarz	ENV216	102245	1 year	12.20.2017
<input type="checkbox"/> LISN	Rohde & Schwarz	ESH3-Z5	100282	1 year	05.22.2017
<input type="checkbox"/> LISN	Rohde & Schwarz	ENV216	100073	1 year	07.18.2017
<input type="checkbox"/> Software	Rohde & Schwarz	EMC32 VER8.54.0	-	-	-
<u>Radiated Emission</u>					
-For measurement below 1 GHz					
<input checked="" type="checkbox"/> EMI Test Receiver	Rohde & Schwarz	ESU40	100524	1 year	08.16.2017
<input checked="" type="checkbox"/> Trilog Antenna	Schwarzbeck	VULB 9168	760	2 year	04.06.2017
<input checked="" type="checkbox"/> Antenna master	INNCO Systems	MA4000-XP-ET	-	N/A	-
<input checked="" type="checkbox"/> Antenna master controller	INNCO Systems	CO 3000	CO 3000/870/ 35990515/L	N/A	-
<input checked="" type="checkbox"/> Turn Table	INNCO Systems	-	-	N/A	-
<input checked="" type="checkbox"/> Turn Table controller	INNCO Systems	CO2000	-	N/A	-
<input type="checkbox"/> EMI Test Receiver	Rohde & Schwarz	ESU26	100241	1 year	08.16.2017
<input type="checkbox"/> Antenna master	INNCO Systems	MA4000-EP	MA4000/283	N/A	-
<input type="checkbox"/> Turn Table	INNCO Systems	DT3000-3T	DT3000/69	N/A	-
<input checked="" type="checkbox"/> Software	Rohde & Schwarz	EMC32 VER8.40.0	-	-	-
-For measurement above 1 GHz					
<input checked="" type="checkbox"/> EMI Test Receiver	Rohde & Schwarz	ESU40	100524	1 year	08.16.2017
<input checked="" type="checkbox"/> Antenna master	INNCO Systems	MA4000-XP-ET	-	N/A	-
<input checked="" type="checkbox"/> Antenna master controller	INNCO Systems	CO 3000	CO 3000/870/ 35990515/L	N/A	-
<input checked="" type="checkbox"/> Turn Table	INNCO Systems	-	-	N/A	-
<input checked="" type="checkbox"/> Turn Table controller	INNCO Systems	CO2000	-	N/A	-
<input checked="" type="checkbox"/> Low Noise Amplifier	TESTEK	TK-PA18H	170034-L	1 year	03.06.2018
<input checked="" type="checkbox"/> Horn Antenna	BBHA 9120D	Schwarzbeck	296	2 year	10.12.2016
<input checked="" type="checkbox"/> Horn Antenna	BBHA 9170	Schwarzbeck	BBHA9170#786	2 year	12.05.2017
<input checked="" type="checkbox"/> Power Amplifier	TK-PA1840H	TESTEK	170030-L	1 year	12.20.2017
<input type="checkbox"/> Antenna master controller	HD GmbH	HD 100	100/637	N/A	-
<input type="checkbox"/> Power Amplifier	CERNEX	CBLU1183540	21691	1 year	06.28.2017
<input type="checkbox"/> Antenna master	HD GmbH	MA240	240/520	N/A	-
<input type="checkbox"/> Horn Antenna	Schwarzbeck	BBHA 9120D	1300	2 year	06.30.2017
<input type="checkbox"/> EMI Test Receiver	Rohde & Schwarz	ESU26	100241	1 year	08.16.2017
<input type="checkbox"/> Turn Table	INNCO Systems	DT3000-3T	DT3000/69	N/A	-
<input checked="" type="checkbox"/> Software	Rohde & Schwarz	EMC32 VER8.40.0	-	-	-



7. CONCLUSION

The data collected shows that the **EUT Type: Multi-band CDMA/GSM/EDGE/WCDMA/LTE phone with WLAN, Bluetooth and RFID, Model: LM-G710VM, FCC ID: ZNFG710VM** complies with §15.107 and §15.109 of the FCC rules.



8. APPENDIX A. TEST SETUP PHOTOGRAPHS

Please refer to Appendix A