



PERFECT WIRELESS EXPERIENCE

---

# FIBOCOM SU806D-EAU

## Hardware Guide

Version: V2.0.0

Date: 2021-02-01





## Applicability Type

NO	Product Model	Description
1	SU806D-EAUD-EAU-00	Initial



## Copyright

Copyright ©2021 Fibocom Wireless Inc. All rights reserved.

Without the prior written permission of the copyright holder, any company or individual is prohibited to excerpt, copy any part of or the entire document, or transmit the document in any form.

## Notice

The document is subject to update from time to time owing to the product version upgrade or other reasons. Unless otherwise specified, the document only serves as the user guide. All the statements, information and suggestions contained in the document do not constitute any explicit or implicit guarantee.

## Trademark



The trademark is registered and owned by Fibocom Wireless Inc.

## Change History

Version	Author	Reviewer	Approver	Update Date	Description
V2.0.0	Mo Xiaoke He Sihai	Tu Min Li Xiyi	Chen Guojiang	2021-02-01	Initial version, modify pin function based on SU806D-EAU Series Hardware Guide v1.0.2

# Contents

<b>1</b>	<b>Introduction .....</b>	<b>8</b>
1.1	Instruction.....	8
1.2	Reference Standards.....	8
1.3	Related Document.....	9
<b>2</b>	<b>Product Overview .....</b>	<b>10</b>
2.1	Product Introduction .....	10
2.2	Product Specification.....	10
2.3	Functional Block Diagram.....	13
2.4	Pin Definition .....	15
	2.4.1 Pin Assignment.....	15
	2.4.2 Pin Descriptions.....	16
<b>3</b>	<b>Application Interface .....</b>	<b>26</b>
3.1	Power Supply .....	26
	3.1.1 Power Input.....	26
	3.1.2 VRTC .....	27
	3.1.3 Power Output.....	28
3.2	Control Signal.....	29
	3.2.1 Power on/off.....	29
	3.2.1.1 Power on .....	29
	3.2.1.2 Power off .....	30
	3.2.1.3 Sleep/Wake up .....	30
	3.2.2 Reset.....	31
	3.2.3 Volume Control .....	31
3.3	USB.....	31
3.4	UART .....	34
3.5	SPI .....	35
3.6	(U)SIM.....	36
3.7	SDIO .....	37
3.8	GPIO .....	38
3.9	I <sup>2</sup> C .....	40
3.10	RBG .....	41
3.11	ADC.....	41
3.12	Battery Power Supply Interface .....	42

3.13	Charge Enable Interface.....	43
3.14	Vibration Motor Driver Interface .....	43
3.15	LCM.....	43
3.16	TP.....	46
3.17	Camera .....	47
	3.17.1 Rear Camera .....	49
	3.17.2 Front Camera.....	49
	3.17.3 Depth Camera .....	50
	3.17.4 Design Notice .....	50
3.18	Sensor.....	52
3.19	Audio .....	53
	3.19.1 Audio Interface Pin Definition .....	53
	3.19.2 Microphone Circuit Design .....	54
	3.19.3 Earpiece Circuit Design .....	54
	3.19.4 Headset Circuit Design.....	55
	3.19.5 Speaker Circuit Design.....	55
3.20	Force Download Interface.....	56
<b>4</b>	<b>Antenna Interface .....</b>	<b>57</b>
4.1	MAIN/DRX Antenna.....	57
	4.1.1 Antenna Reference Design .....	57
4.2	WIFI/BT Antenna .....	58
	4.2.1 WIFI/BT Operating Frequency .....	58
	4.2.2 WIFI/BT Antenna Reference Design .....	58
4.3	GNSS Antenna .....	59
	4.3.1 Operating Frequency.....	59
	4.3.2 GNSS Antenna Reference Design .....	59
	4.3.2.1 Passive Antenna Reference Design: .....	59
	4.3.2.2 Active Antenna Reference Design .....	60
4.4	Antenna Requirement.....	60
<b>5</b>	<b>RF PCB Layout Design Guide .....</b>	<b>62</b>
<b>6</b>	<b>WIFI and Bluetooth.....</b>	<b>64</b>
6.1	WIFI Overview .....	64
6.2	WIFI Performance .....	64
6.3	Bluetooth Overview .....	65
6.4	Bluetooth Performance .....	65

<b>7</b>	<b>GNSS</b> .....	<b>66</b>
7.1	Overview .....	66
7.2	Performance .....	66
<b>8</b>	<b>Electrical, Reliability and RF Performance</b> .....	<b>67</b>
8.1	Recommended Parameters .....	67
8.2	Absolute Maximum Ratings .....	67
8.3	Power Consumption .....	67
8.4	Electrostatic Protection .....	76
	<b>Appendix A Terms and Acronyms</b> .....	<b>77</b>
	<b>Appendix B GPRS Encoding Scheme</b> .....	<b>80</b>
	<b>Appendix C GPRS Multislot</b> .....	<b>81</b>
	<b>Appendix D EDGE Modulation and Encoding Method</b> .....	<b>82</b>

# 1 Introduction

## 1.1 Instruction

This document describes the electrical characteristics, RF performance, structure size, application environment, etc. of SU806D-EAU series module. With the assistance of the document and other instructions, the developers can quickly understand the hardware functions of the SU806D-EAU series module and develop products.

## 1.2 Reference Standards

The design of product refers to the following standards:

- 3GPP TS 51.010-1 V10.5.0: Mobile Station (MS) conformance specification; Part 1: Conformance specification
- 3GPP TS 34.121-1 V10.8.0: User Equipment (UE) conformance specification; Radio transmission and reception (FDD); Part 1: Conformance specification
- 3GPP TS 34.122 V10.1.0: Technical Specification Group Radio Access Network; Radio transmission and reception (TDD)
- 3GPP TS 36.521-1 V10.6.0: User Equipment (UE) conformance specification; Radio transmission and reception; Part 1: Conformance testing
- 3GPP TS 21.111 V10.0.0: USIM and IC card requirements
- 3GPP TS 51.011 V4.15.0: Specification of the Subscriber Identity Module -Mobile Equipment (SIM-ME) interface
- 3GPP TS 31.102 V10.11.0: Characteristics of the Universal Subscriber Identity Module (USIM) application
- 3GPP TS 31.11 V10.16.0: Universal Subscriber Identity Module (USIM) Application Toolkit(USAT)
- 3GPP TS 36.124V10.3.0: ElectroMagnetic Compatibility (EMC) requirements for mobile terminals and ancillary equipment
- 3GPP TS 27.007 V10.0.8: AT command set for User Equipment (UE)
- 3GPPTS27.005 V10.0.1: Use of Data Terminal Equipment - Data Circuit terminating Equipment (DTE - DCE) interface for Short Message Service (SMS) and Cell Broadcast Service (CBS)
- IEEE 802.11n WLAN MAC and PHY, October 2009+ IEEE 802.11-2007 WLAN MAC and PHY, June 2007
- IEEE Std 802.11b, IEEE Std 802.11d, IEEE Std 802.11e, IEEE Std 802.11g, IEEE Std 802.11i:
- IEEE 802.11-2007 WLAN MAC and PHY, June 2007





- Bluetooth Radio Frequency TSS and TP Specification 1.2/2.0/2.0+EDR/2.1/2.1+EDR/3.0/3.0+HS, August 6, 2009
- Bluetooth Low Energy RF PHY Test Specification, RF-PHY.TS/4.0.0, December 15, 2009

## 1.3 Related Document

*FIBOCOM Sx806 Series SMT Design Guide*

## 2 Product Overview

### 2.1 Product Introduction

SU806D-EAUD-EAU series smart module integrates core components such as Baseband, eMCP, PMU, Transceiver, PA; it supports long distance multi-mode communication such as FDD/TDD-LTE, WCDMA, GSM and WIFI/BT short-distance radio transmission technology, as well as GNSS wireless positioning technology. SU806D-EAU series module is embedded with Android operating system and support various interfaces such as MIPI/USB/UART/SPI/I2C. It is the optimal solution for the core system of wireless smart products. Its corresponding network modes and frequency bands are as follows:

Table 2-1 Bands supported of SU806D-EAUD-EAU

Mode	Band
GSM/GPRS/EDGE	GSM850/GSM900/DCS1800/PCS1900
WCDMA	Band 1/2/5/8
FDD-LTE	Band1/2/3/4/5/7/8/20/28
TDD-LTE	Band 40/41
WIFI 802.11a/b/g/n/ac	2402-2482 MHz/ 5150-5825MHz
BT4.2 LE	2402-2480 MHz
GNSS	GPS/BeiDou

### 2.2 Product Specification

SU806D-EAU series module is available in 262 LCC+LGA package that includes 146 LCC pins and 116 LGA pins. The dimension is 40.5mm×40.5mm×2.8mm. It can be embedded in various M2M applications. It is suitable for the development of smart devices such as smart POS, cash registers, robots, UAVs, smart homes, security monitoring and multimedia terminals. Its detailed performance is shown in the following table.

Table 2-3 Main performance

Performance	Description
Power Supply	DC:3.5~4.2V, typical:3.8V
Application processor	Quad-core ARM <sup>®</sup> Cortex <sup>™</sup> A53 MP processor, up to 1.4GHz

Performance	Description
Memory	8GB e.MMC+8Gb LPDDR3 16GB e.MMC+16Gb LPDDR3
Power class	Class 4 (33dBm±2dB) for GSM850/EGSM900 Class 1 (30dBm±2dB) for DCS1800/PCS1900 Class E2 (27dBm±3dB) for GSM850/EGSM900 8-PSK Class E2 (26dBm±3dB) for DCS1800/PCS1900 8-PSK Class 3 (24dBm+1/-3dB) for WCDMA bands Class 3 (23dBm±2dB) for LTE FDD bands Class 3 (23dBm±2dB) for LTE TDD bands
GSM/GPRS/EDGE features	R99: CSD transmission rate:9.6kbps,14.4kbps GPRS: Support GPRS multi-slot class 12 Coding formats:CS-1/CS-2/CS-3 and CS-4 4 Rx time slots per frame maximum EDGE: Support EDGE multi-slot class 12 Support GMSK and 8-PSK Uplink encoding formats: CS 1-4 and MCS 1-9 Uplink encoding formats: CS 1-4 and MCS 1-9
WCDMA features	Support 3GPP R9 Support 16-QAM, 64-QAM and QPSK modulation CAT7 HSUPA: Maximum uplink rate 11Mbps CAT14 HSDPA: Maximum downlink rate 21Mbps
LTE features	Support 3GPP R10 Support FDD/TDD CAT4 Support 1.4-20M RF bandwidth Downlink support 2 × 2 MIMO Maximum uplink rate 50Mbps, maximum downlink rate 150Mbps
WLAN features	Support 2.4G and 5G WLAN wireless communication, support 802.11a,802.11ac, 802.11b, 802.11g, 802.11n,
Bluetooth	BT4.2 (BR/EDR+BLE)

Performance	Description
Satellite positioning	GPS/BeiDou
SMS	Text and PDU modes Point-to-Point MO and MT SMS cell broadcast SMS storage: stored in the module by default
LCD interface	One 4 lane MIPI_DSI interface Support maximum HD+ 60fps (1440x720)
Camera interface	Two 4 lane MIPI_CSI interface, can support three cameras; Main camera can support 13M 30fps at maximum
Audio interface	Audio Input: 3 analog microphone inputs Integrated internal bias Audio output: Class AB stereo headphone output Class AB differential handset output Class D differential speaker amplifier output
USB interface	USB2.0 HS interface, with data transfer rate up to 480 Mbps Support USB OTG (external 5V power supply)
(U)SIM interface	Two (U)SIM card interfaces supporting (U)SIM card: 1.8/3V adaptive Support dual (U)SIM dual standby single pass, support hot plug (closed by default)
UART interface	Three UART serial interfaces One 4-line serial interface supporting RTS and CTS hardware flow control One 2-line serial interface (reserved) One 2 line debug serial interface
SDIO interface	Support SD3.0, 4bit SDIO; SD card supports hot plug
I2C interface	Multiple I2C interfaces, can be used for peripherals such as TP, camera, and sensor
ADC interface	One universal 12bits ADC
RTC	Support

Performance	Description
Antenna interface	MAIN antenna, DRX antenna, GNSS antenna, WIFI/BT antenna
Physical characteristics	Dimension: 40.5mm×40.5mm×2.8mm Encapsulation: 146 LCC pin + 116 LGA pin Weight: about 9.0g
Temperature range	Operating temperature: -20°C~75°C Storage temperature: -40°C~95°C
Software update	USB/OTA/SD
RoHS	Comply with RoHS standard



**Note:**

When the module is operating within this temperature range, the functions of it are normal and the relevant performance meets the 3GPP standard.

## 2.3 Functional Block Diagram

Functional diagram shows the main hardware features of the SU806D-EAU series module:

- Baseband
- Wireless transceiver
- PMU
- Memory
- Peripheral interface
  - Communication expansion interface (USB/UART/I2C/SDIO/SPI)
  - (U)SIM card interface
  - MIPI DSI interface
  - MIPI CSI Interface
  - Analog audio interface

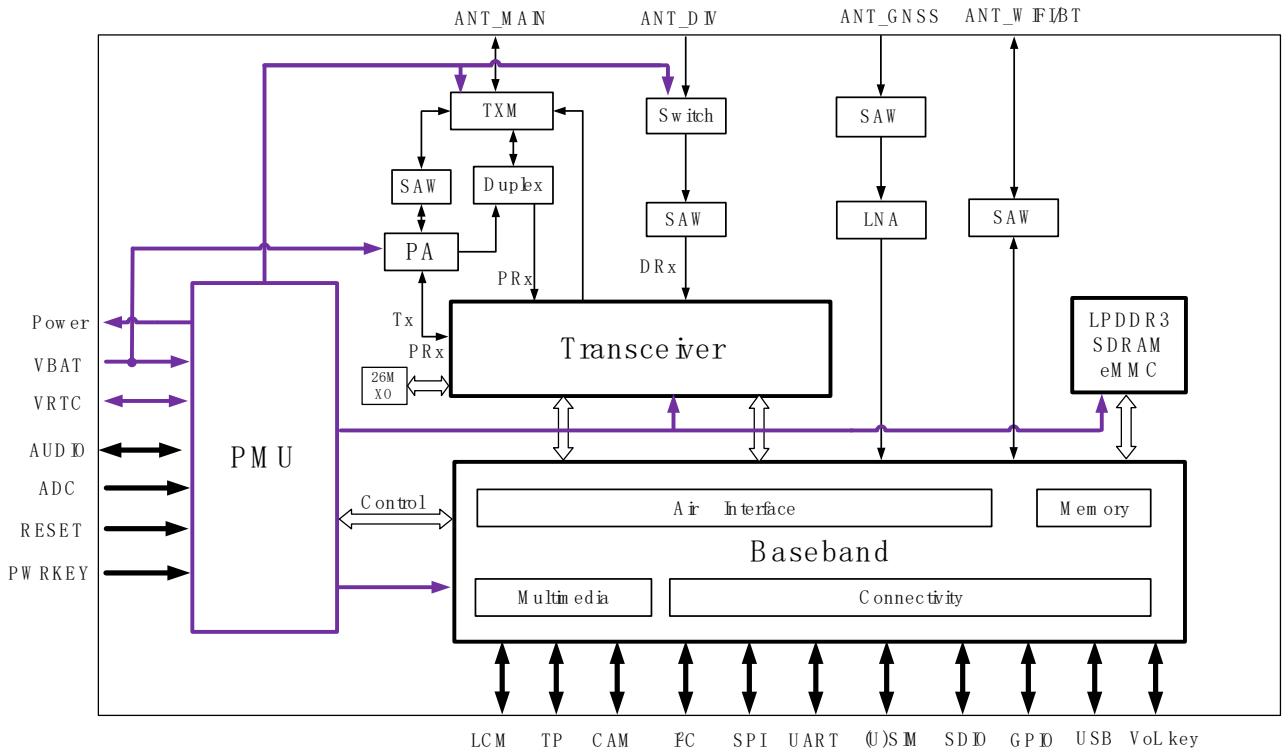


Figure 2-1 Functional block diagram

## 2.4 Pin Definition

### 2.4.1 Pin Assignment

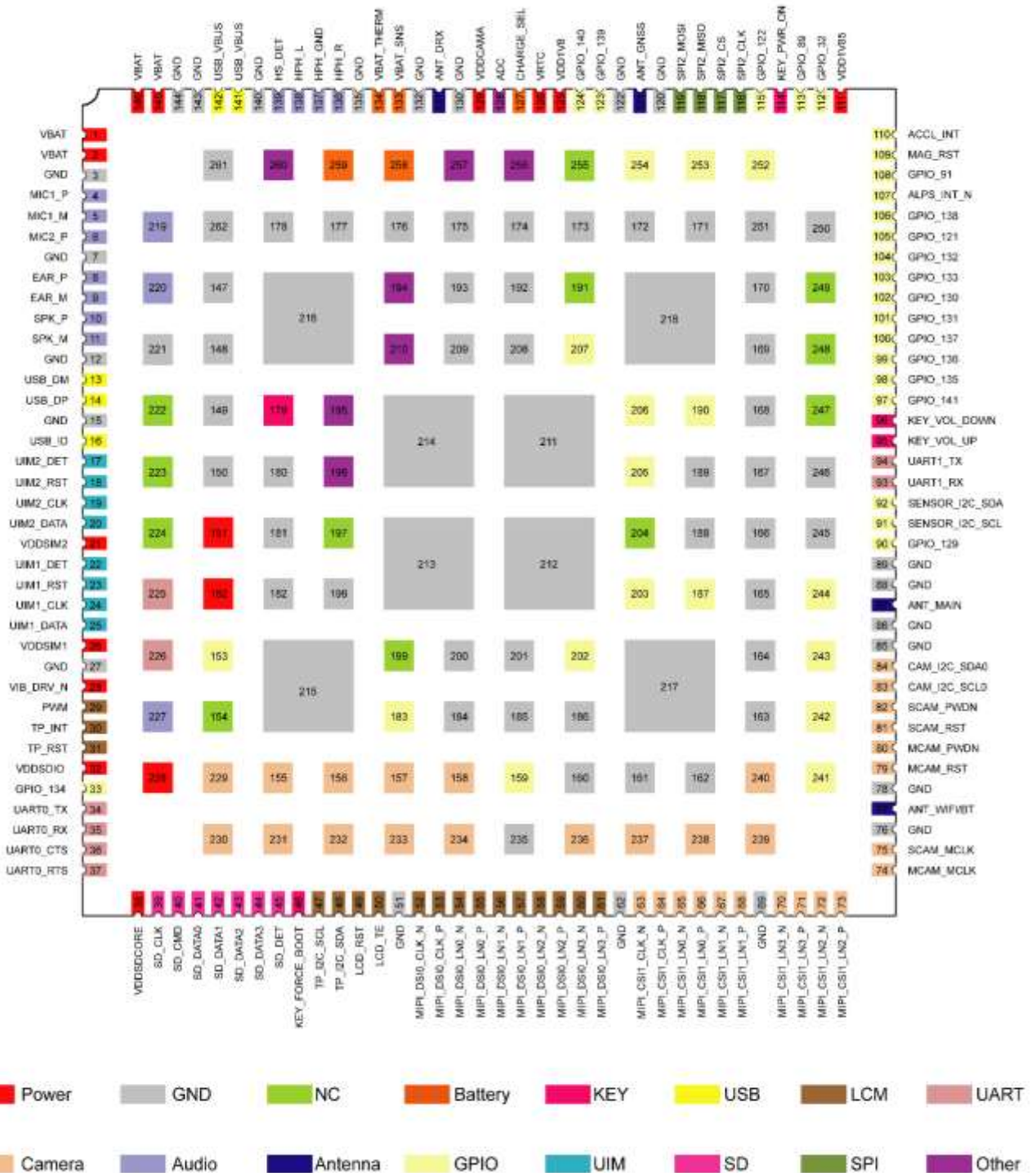


Figure 2-2 Pin assignment (top view)



**Note:**

“NC” represent No Connect, the pin of this position is reserved and does not need to be connected.

## 2.4.2 Pin Descriptions

Table 2-4 Parameter and acronym definitions

Symbol	Description
IO	Input/Output
DI	Digital Input
DO	Digital Output
PI	Power Input
PO	Power Output
AI	Analog Input
AO	Analog Output
OD	Open Drain

Pin descriptions of SU806D-EAU series module are presented in the following table:

Table 2-5 Pin description

Pin Name	Pin Number	I/O	Functional Description	Note
<b>Power supply</b>				
VBAT	1,2,145,146	PI	Main power input	-
VRTC	126	PI/PO	RTC clock power supply	-
VDD1V85	111	PO	IO voltage output	-
VDD1V8	125	PO	Camera IO voltage output	-
VDDCAMMOT	152	PO	Power output for camera moto	-
VDDSDCORE	38	PO	Power output for SD card, 3V by default	-
VDDSDIO	32	PO	Power output for SD IO, 3V by default	-
VDDSIM1	26	PO	Power output for (U)SIM card 1	-



Pin Name	Pin Number	I/O	Functional Description	Note
VDDSIM2	21	PO	Power output for (U)SIM card 2	-
VDDCAMA	129	PO	Output for camera analog power, 2.8V by default	-
VDDCAMCORE	151	PO	Output for camera digital power	-
VDD2V8	228	PO	2.8V voltage output	-
VIB_DRV_N	28	PO	Vibrator drive output	Can be configured as or LDO mode
GND	3, 7, 12, 15, 27, 51, 62, 69, 76, 78, 85, 86, 88, 89, 120, 122, 130, 132, 135, 140, 143, 144, 147, 148, 149, 150, 160-178, 180-182, 184-186, 188, 189, 192, 193, 198, 200, 201, 208, 209, 211-218, 221, 235, 245, 246, 250, 251, 262			Ground
<b>Battery supply interface</b>				
CHARGE_SEL	127	DI	Charge modes select	Reserved
VBAT_SNS	133	AI	Battery voltage sense	-
VBAT_THERM	134	AI	Battery thermistor output	-
SENSE_N	258	AI	Battery fuel gauge negative input	Reserved
SENSE_P	259	AI	Battery fuel gauge positive input	Reserved
<b>Key</b>				
KEY_FORCE_BOOT	46	DI	Force download	Active low
KEY_VOL_UP	95	DI	Volume+ key	Active low
KEY_VOL_DOWN	96	DI	Volume- key	Active low
KEY_PWR_ON	114	DI	Power key 1	Active low
KEY_RESIN_N	179	DI	Reset key	Active low, support two key(KEY_PWR_ON& KEY_RESIN_N)reset and one key(KEY_PWR_ON)

Pin Name	Pin Number	I/O	Functional Description	Note
				reset
CBL_PWR_N	261	DI	Power on key 2, just have power on function	Active low
<b>(U)SIM card interface</b>				
UIM2_DATA	20	I/O	(U)SIM card 2 data	-
UIM2_CLK	19	DO	(U)SIM card 2 clock	-
UIM2_RST	18	DO	(U)SIM card 2 reset	-
UIM2_DET	17	DI	(U)SIM card 2 hot plug detection	Disabled by default, cannot used as general GPIO
UIM1_DATA	25	I/O	(U)SIM card 1 data	-
UIM1_CLK	24	DO	(U)SIM card 1 clock	-
UIM1_RST	23	DO	(U)SIM card 1 reset	-
UIM1_DET	22	DI	(U)SIM card 1 hot plug detection	Disabled by default, cannot used as general GPIO
<b>SDIO interface</b>				
SD_DET	45	DI	SD card detect	Active low
SD_DATA3	44	I/O	SD card data 3	-
SD_DATA2	43	I/O	SD card data 2	-
SD_DATA1	42	I/O	SD card data 1	-
SD_DATA0	41	I/O	SD card data 0	-
SD_CMD	40	I/O	SD card command	-
SD_CLK	39	DO	SD card clock	-
<b>I2C interface</b>				
SENSOR_I2C_SCL	91	DO	I2C clock	For sensor by default
SENSOR_I2C_SDA	92	I/O	I2C data	For sensor by default

Pin Name	Pin Number	I/O	Functional Description	Note
TP_I2C_SCL	47	DO	I2C clock	For touch panel by default
TP_I2C_SDA	48	I/O	I2C data	For touch panel by default
CAM_I2C_SCL0	83	DO	I2C clock	For rear camera by default
CAM_I2C_SDA0	84	I/O	I2C data	For rear camera by default
CAM_I2C_SCL1	239	DO	I2C clock	For front/depth camera by default
CAM_I2C_SDA1	240	I/O	I2C data	For front/depth camera by default
<b>USB interface</b>				
USB_VBUS	141,142	PI	USB 5V input	-
USB_DP	14	AI/AO	USB HS data+	-
USB_DM	13	AI/AO	USB HS data-	-
USB_ID	16	DI	USB OTG detection	-
<b>UART interface</b>				
UART0_TX	34	DO	UART0 data transmission	-
UART0_RX	35	DI	UART0 data reception	-
UART0_CTS	36	DI	UART0 clear to send	-
UART0_RTS	37	DO	UART0 request to send	-
UART1_TX	94	DO	UART1 data transmission	Debug_UART serial port
UART1_RX	93	DI	UART1 data reception	
UART2_TX	226	DO	UART2 data transmission	Reserved
UART2_RX	225	DI	UART2 data reception	Reserved
<b>SPI interface</b>				
SPI_CLK	116	DO	SPI clock	-
SPI_CS	117	DO	SPI chip selects	-

Pin Name	Pin Number	I/O	Functional Description	Note
SPI_MISO	118	DI	SPI master input slave output	-
SPI_MOSI	119	DO	SPI master output slave input	-
<b>LCD interface</b>				
MIPI_DSI0_CLK_N	52	AO	MIPI display serial interface clock	-
MIPI_DSI0_CLK_P	53	AO		-
MIPI_DSI0_LN0_N	54	AO	MIPI display serial interface lane	-
MIPI_DSI0_LN0_P	55	AO		-
MIPI_DSI0_LN1_N	56	AO		-
MIPI_DSI0_LN1_P	57	AO		-
MIPI_DSI0_LN2_N	58	AO		-
MIPI_DSI0_LN2_P	59	AO		-
MIPI_DSI0_LN3_N	60	AO		-
MIPI_DSI0_LN3_P	61	AO		-
LCD_RST	49	DO	LCD reset signal	-
PWM	29	DO	LCD backlight PWM	-
LCD_TE	50	DI	LCD tearing effect	Keep floating if unused
GPIO_25	190	DO	LCD backlight enable	-
<b>Touch panel interface</b>				
TP_INT	30	DI	LCD TP interrupt signal	-
TP_RST	31	DO	LCD TP reset signal	-
<b>Camera interface</b>				
MIPI_CSI0_CLK_P	229	AI	MIPI rear camera serial interface clock	-
MIPI_CSI0_CLK_N	230	AI		
MIPI_CSI0_LN0_P	155	AI	MIPI rear camera serial interface lane	-
MIPI_CSI0_LN0_N	231	AI		

Pin Name	Pin Number	I/O	Functional Description	Note
MIPI_CSI0_LN1_P	156	AI		
MIPI_CSI0_LN1_N	232	AI		
MIPI_CSI0_LN2_P	157	AI		
MIPI_CSI0_LN2_N	233	AI		
MIPI_CSI0_LN3_P	158	AI		
MIPI_CSI0_LN3_N	234	AI		
MCAM_MCLK	74	DO	Rear camera master clock	-
MCAM_RST	79	DO	Rear camera reset signal	-
MCAM_PWDN	80	DO	Rear camera power down	-
MIPI_CSI1_CLK_N	63	AI	MIPI front camera serial interface clock	-
MIPI_CSI1_CLK_P	64	AI		-
MIPI_CSI1_LN0_N	65	AI	MIPI front camera serial interface lane	
MIPI_CSI1_LN0_P	66	AI		
MIPI_CSI1_LN1_N	67	AI		
MIPI_CSI1_LN1_P	68	AI		
SCAM_MCLK	75	AI	Front camera master clock	-
SCAM_RST	81	AI	Front camera reset signal	
SCAM_PWDN	82	AI	Front camera power down	
MIPI_CSI1_LN3_N	70	AI	MIPI depth camera serial interface clock	
MIPI_CSI1_LN3_P	71	AI		
MIPI_CSI1_LN2_N	72	AI	MIPI depth camera serial interface lane	-
MIPI_CSI1_LN2_P	73	AI		-
DCAM_MCLK	238	DO	Depth camera master clock	-
DCAM_RST	237	DO	Depth camera reset signal	-
DCAM_PWDN	236	DO	Depth camera power down	-

Pin Name	Pin Number	I/O	Functional Description	Note
<b>Audio interface</b>				
SPK_P	10	AO	Speaker amp + output	-
SPK_M	11	AO	Speaker amp - output	-
EAR_P	8	AO	Earpiece PA + output	-
EAR_M	9	AO	Earpiece PA - output	-
HPH_L	138	AO	Headphone PA left channel output	-
HPH_GND	137	-	Headphone PA ground sensing	-
HPH_R	136	AO	Headphone PA right channel output	-
HPH_DET	139	AI	Headset detection	-
MIC2_P	6	AI	Headset MIC difference input +	-
MIC1_M	5	AI	MIC1 difference input -	-
MIC1_P	4	AI	MIC1 difference input +	-
MIC_BIAS1	219	AO	MIC bias1	-
MIC3_P	220	AI	Sub-MIC difference input +	-
MIC_BIAS2	227	AO	MIC bias2	-
<b>Antenna interface</b>				
ANT_MAIN	87	AI/AO	2G/3G/4G main antenna	-
ANT_DRX	131	AI	Diversity reception antenna	-
ANT_WIFI/BT	77	AI/AO	WIFI/BT antenna	-
ANT_GNSS	121	AI	GNSS antenna	-
<b>Interrupt interface</b>				
ALPS_INT_N	107	DI	Ambient light sensor and proximity sensor interrupt	-
MAG_RST	109	DO	Magnetic sensor reset	-

Pin Name	Pin Number	I/O	Functional Description	Note
ACCL_INT	110	DI	Accelerometer sensor interrupt	-
<b>Other interface</b>				
ADC	128	AI	ADC detection	-
LED_B	194	AI	RGB LED input2	-
LED_G	195	AI	RGB LED input1	-
LED_R	196	AI	RGB LED input0	-
CHG_EN	210	AO	Charge enable	The module does not support charging, and DC-DC circuit can be added if charging function is required.
ADC4_BAT_ID	260	AI	BAT_ID detection	-
NFC_CLK	256	DO	NFC clock	Reserved
NFC_DWL_REQ	257	DI	NFC power reset control	Reserved
<b>GPIO interface</b>				
GPIO_134	33	I/O	General Purpose Input and Output. 1.8V power domain	INPUT(WPD)
GPIO_129	90	I/O		INPUT(WPD)
GPIO_135	98	I/O		INPUT(WPU)
GPIO_136	99	I/O		INPUT(WPU)
GPIO_137	100	I/O		INPUT(WPU)
GPIO_131	101	I/O		INPUT(WPD)
GPIO_130	102	I/O		INPUT(WPD)
GPIO_133	103	I/O		INPUT(WPD)
GPIO_132	104	I/O		INPUT(WPD)
GPIO_121	105	I/O		OUTPUT
GPIO_138	106	I/O		INPUT(WPU)

Pin Name	Pin Number	I/O	Functional Description	Note
GPIO_91	108	I/O		INPUT(WPD)
GPIO_32	112	I/O		INPUT(WPD)
GPIO_89	113	I/O		OUTPUT
GPIO_122	115	I/O		WPD
GPIO_139	123	I/O		INPUT(WPU)
GPIO_140	124	I/O		INPUT(WPU)
GPIO_88	153	I/O		INPUT(WPU)
GPIO_30	159	I/O		INPUT(WPD)
GPIO_29	183	I/O		INPUT(WPD)
GPIO_27	187	I/O		INPUT(WPD)
GPIO_85	202	I/O		OUTPUT
GPIO_154	203	I/O		INPUT(WPD)
GPIO_155	205	I/O		INPUT(WPD)
GPIO_28	206	I/O		INPUT(WPD)
GPIO_24	207	I/O		INPUT(WPD) Boot configuration doesn't add pull-up
GPIO_11	241	I/O		INPUT(WPD)
GPIO_7	242	I/O		INPUT(WPD)
GPIO_143	243	I/O		INPUT(WPU)
GPIO_10	244	I/O		INPUT(WPD)
GPIO_141	97	I/O		INPUT(WPU)
GPIO_26	252	I/O		INPUT(WPD)
GPIO_22	253	O		INPUT(WPD)
GPIO_23	254	I/O		INPUT(WPD)



Pin Name	Pin Number	I/O	Functional Description	Note
NC 接口				
NC	154, 191, 197, 199, 204, 222 to 224, 247 to 249, 255			Keep floating



**Note:**

H: High-voltage tolerant

L: Low-voltage tolerant

Hiz: High impedance

WPU: Weak pull up

WPD: Weak pull down

The GPIOs with “WPU” aren’t recommended as the enable control of default highly efficient devices.

For example, backlight enable of LCM and audio amplifier enable.

### 3 Application Interface

#### 3.1 Power Supply

The SU806D-EAU series module provides four VBAT pins for connecting to external power supply source. The input range of power is 3.5V to 4.2V and the recommended value is 3.8V. The performance of the power supply such as its load capacity, ripple etc. will directly affect the operating performance and stability of the module. In extreme cases, the peak current of the module can reach 3A instantly and if the power supply capacity is insufficient that VBAT voltage drop below 3.0V instantly, the module may be powered off or restarted. The VBAT voltage drop is shown as the following figure:

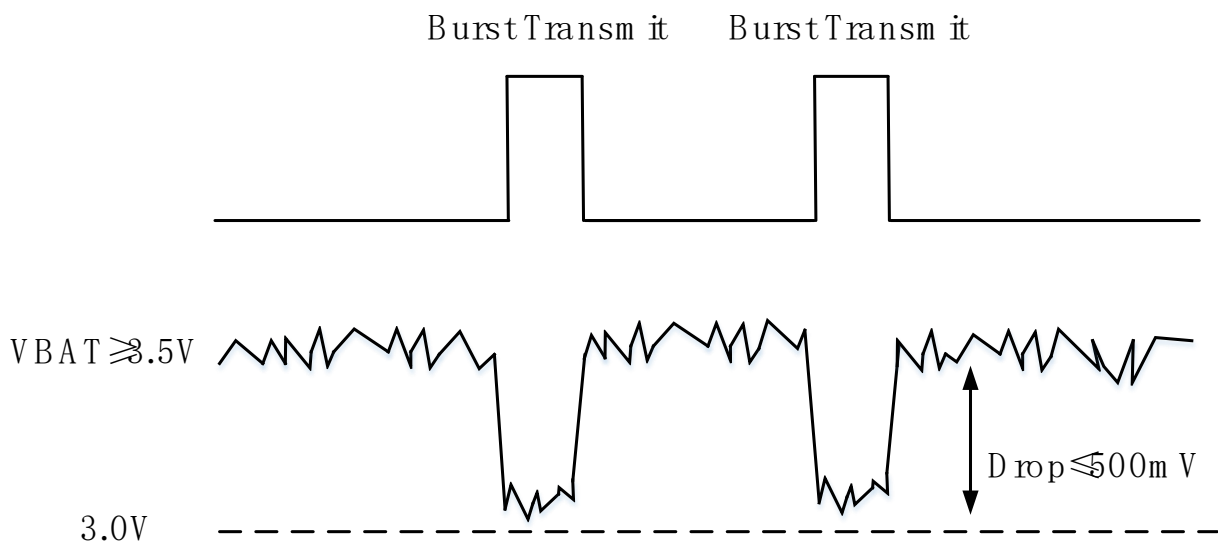


Figure 3-1 VBAT voltage drop

##### 3.1.1 Power Input

External power source supplies the module by VBAT pins. To ensure the instant power voltage is no less than 3.5V, it is recommended to connect two 220μF tantalum capacitors with low ESR and decoupling capacitors of 1uF, 100nF, 39pF and 33pF in parallel to the VBAT input of the module. Besides the PCB trace of VBAT should as short and wide as possible (no narrow than 3mm) and the ground plane of the power section should be flat. That can reduce the equivalent impedance of the VBAT trace and ensure at maximum transmit power, significant voltage drop will not occur at high currents.

Table 3-1 Power supply

Parameter	Minimum Value	Recommended Value	Maximum Value	Unit
VBAT (DC)	3.5	3.8	4.2	V

The reference design of power supply is shown as the following figure:

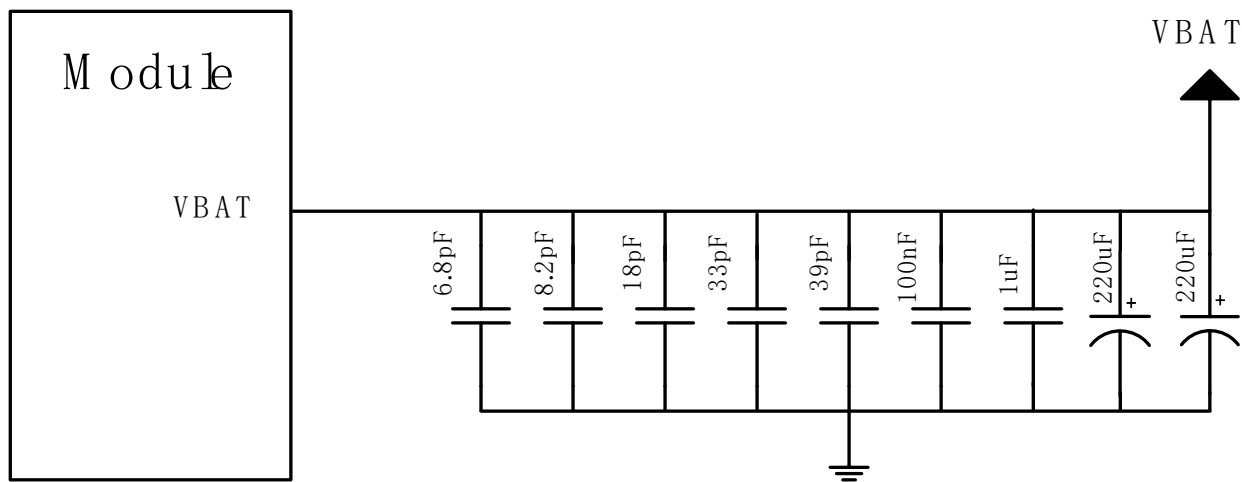


Figure 3-2 Power supply reference design

Table 3-2 Power supply decoupling capacitor design

Recommended Capacitor	Application	Description
220uF x 2	Voltage stabilizing capacitor	To reduce power fluctuations during module operation, it is required to adopt low ESR capacitor LDO or DCDC power requires not less than 440uF capacitor Battery power can be properly reduced to 100 - 220uF capacitor
1uF, 100nF	Filter capacitor	Filter clock and digital signal interference
39pF, 33pF, 18pF, 8.2pF, 6.8pF	Filter capacitor	Filter high frequency interference

### 3.1.2 VRTC

VRTC is the power supply of the internal RTC clock of the module. When VBAT no power supply, the real time clock is not correct, it is recommended to update system clock from network. The VRTC parameters are as follows:

Table 3-3 VRTC parameters

Parameter	Minimum	Typical	Maximum	Unit
VRTC output voltage	-	3.0	3.35	V

VRTC input voltage	-	3.0	-	V
VRTC input current	-	40	-	uA

The reference design of VRTC pin powered by external power source is shown the following figure:

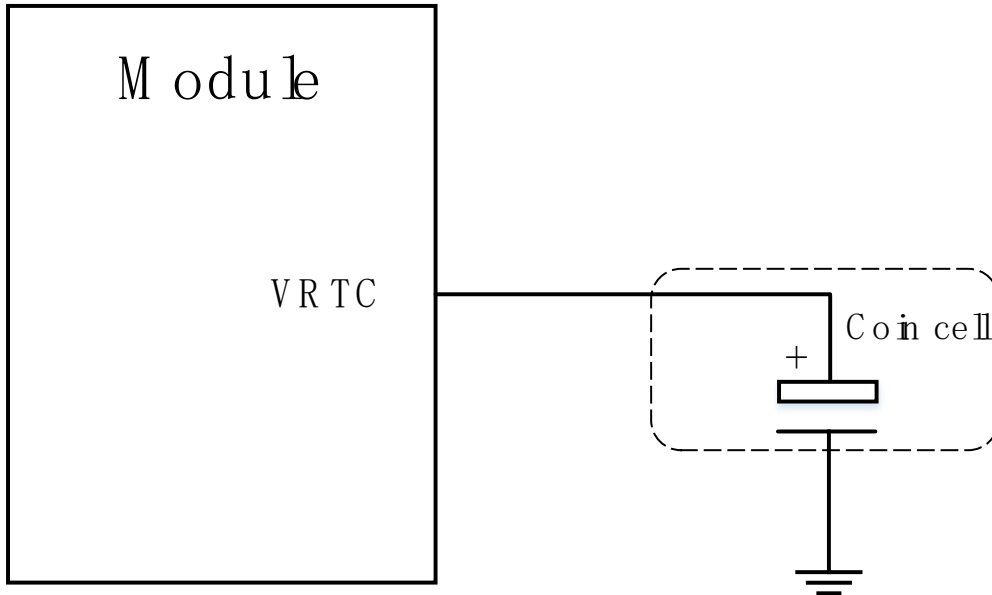


Figure 3-3 VRTC reference design

### 3.1.3 Power Output

The SU806D-EAU series module provides multiple power outputs for peripheral circuits. It is recommended to connect 33pF and 10pF capacitors in parallel with every power to avoid high frequency interference effectively.

Table 3-4 Power output

Pin Name	Programmable Voltage Range (V)	Default Voltage (V)	Drive Current (mA)
VDD1V85	1.75-2.1	1.85	200
VDD1V8	1.10625-1.9	1.8	200
VDDCMMOT	1.8-3.3	2.8	100
VDDSDCORE	1.8-3.3	3.0	400
VDDSDIO	1.8-3.3	3.0	100
VDDSIM0	1.8-3.3	1.8/3	50
VDDSIM1	1.8-3.3	1.8/3	50
VDDCAMA	1.8-3.3	2.8	150

VDDCAMCORE	1.00625-1.4	1.2	400
VDD2V8	1.8-3.3	2.8	200
VIB_DRV_N	1.8-3.3	3.3	100

## 3.2 Control Signal

### 3.2.1 Power on/off

SU806D-EAU series module provides one-way power on/off control signal to module's power on/off, restart and sleep/wake up. Its pin definition is shown as follow table:

Table 3-5 Power on/off signal

Pin Name	Pin Number	I/O	Description	Note
KEY_PWR_ON	114	DI	Active low, module power on/off, restart, sleep/wake up the module	-
CBL_PWR_N	261	DI	Active low, just have module power on function	-

#### 3.2.1.1 Power on

After module's VBAT pin is powered, pull down KEY\_PWR\_ON or CBL\_PWR\_N pin for 3.5s~6s can trigger module power on. The button control and OC drive power on reference design is shown as follows:

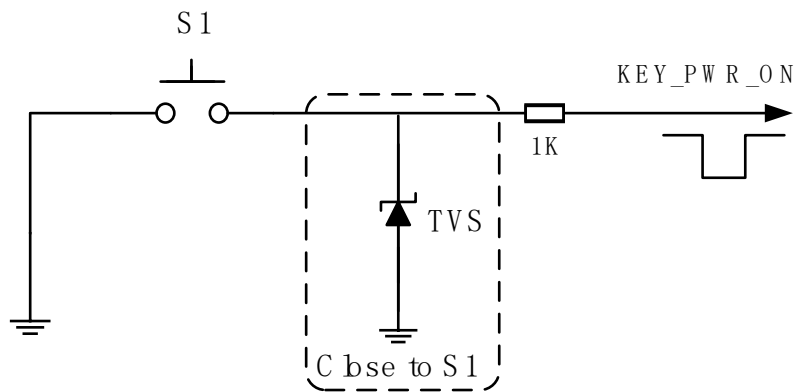


Figure 3-4 Button power on reference design

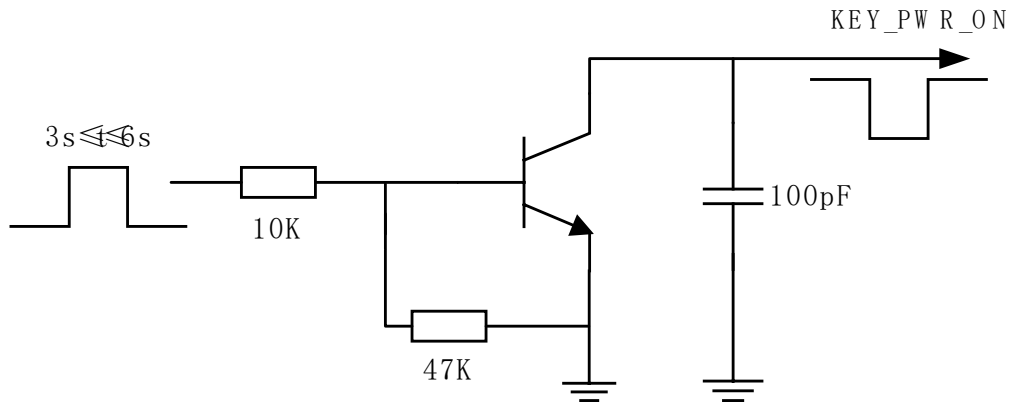


Figure 3-5 OC drive power on reference design

The power on timing is shown as follows:

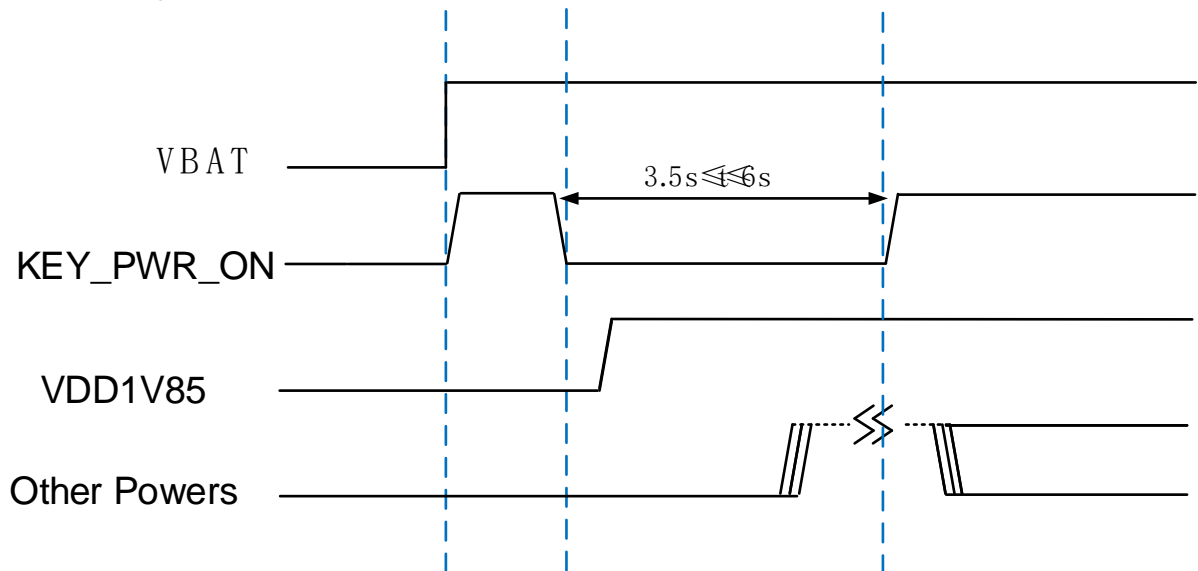


Figure 3-6 Power on timing

### 3.2.1.2 Power off

Normal power off: when module in operating mode, pull down KEY\_PWR\_ON pin 0.6s~6s, user interface will display selection box (select power off or restart).



**Note:**

When the system is abnormal or shutdown, can use force power off method to power off the module, please use normal method generally, otherwise may cause data loss and other anomalies.

### 3.2.1.3 Sleep/Wake up

When module in standby mode, pull down KEY\_PWR\_ON pin 0.1s~0.5s and then release it, module will

enter sleep mode. When module in sleep mode, pull down KEY\_PWR\_ON pin 0.1s~0.5s and then release it, module can be waked up.

### 3.2.2 Reset

Support one key (KEY\_PWR\_ON) reset and two key (KEY\_PWR\_ON & KEY\_RESIN\_N) reset; and two key reset mode is default.

One key (KEY\_PWR\_ON) reset: when module in operating mode, pull down KEY\_PWR\_ON pin 0.6s~6s, user interface will display selection box (select power off or restart); pull down KEY\_PWR\_ON pin 7s~10s module will be forced reset. The reset timing is shown as follows:

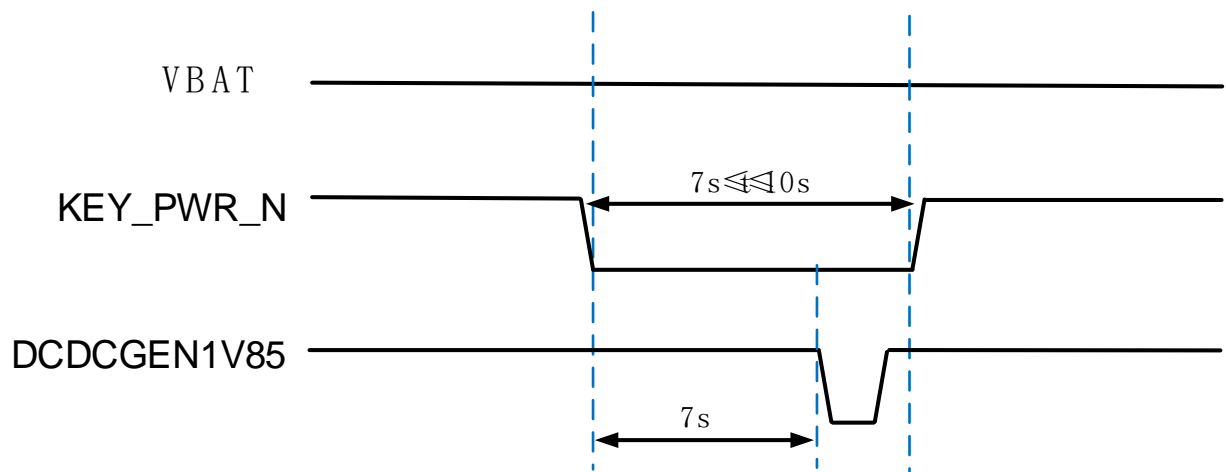


Figure 3-7 Force reset timing

Two key (KEY\_PWR\_ON & KEY\_RESIN\_N) reset: when module in operating mode, pull down KEY\_PWR\_ON and KEY\_RESIN\_N pin 7s~10s at the same time, module will be forced reset. The reset reference circuit please refer to power on circuit design.

### 3.2.3 Volume Control

KEY\_VOL\_UP and KEY\_VOL\_DOWN is the volume up and volume down control; its circuit design can refer to the power on keypad circuit.

## 3.3 USB

The SU806D-EAU series module supports one USB 2.0 interface; USB2.0 supports HS (480Mbps) modes and compatible USB1.1 FS (12Mbps). USB supports OTG function (need 5V external power supply); Its pin definition is shown in the following table:

Table 3-6 USB2.0 pin definition

Pin Name	Pin Number	I/O	Description	Note
USB_VBUS	141,142	PI	USB VBUS 5V input	-
USB_DP	14	AI/AO	USB HS data +	-
USB_DM	13	AI/AO	USB HS data -	-
USB_ID	16	DI	USB OTG detection	-

The reference design of USB2.0 is show as follow figure:

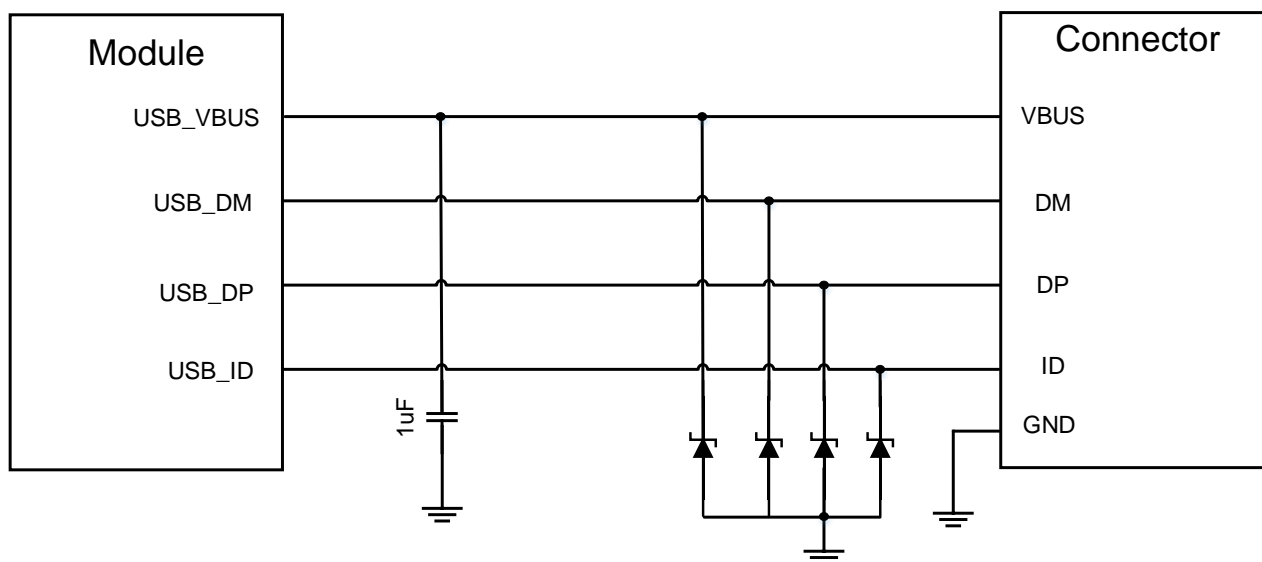


Figure 3-8 USB2.0 reference design



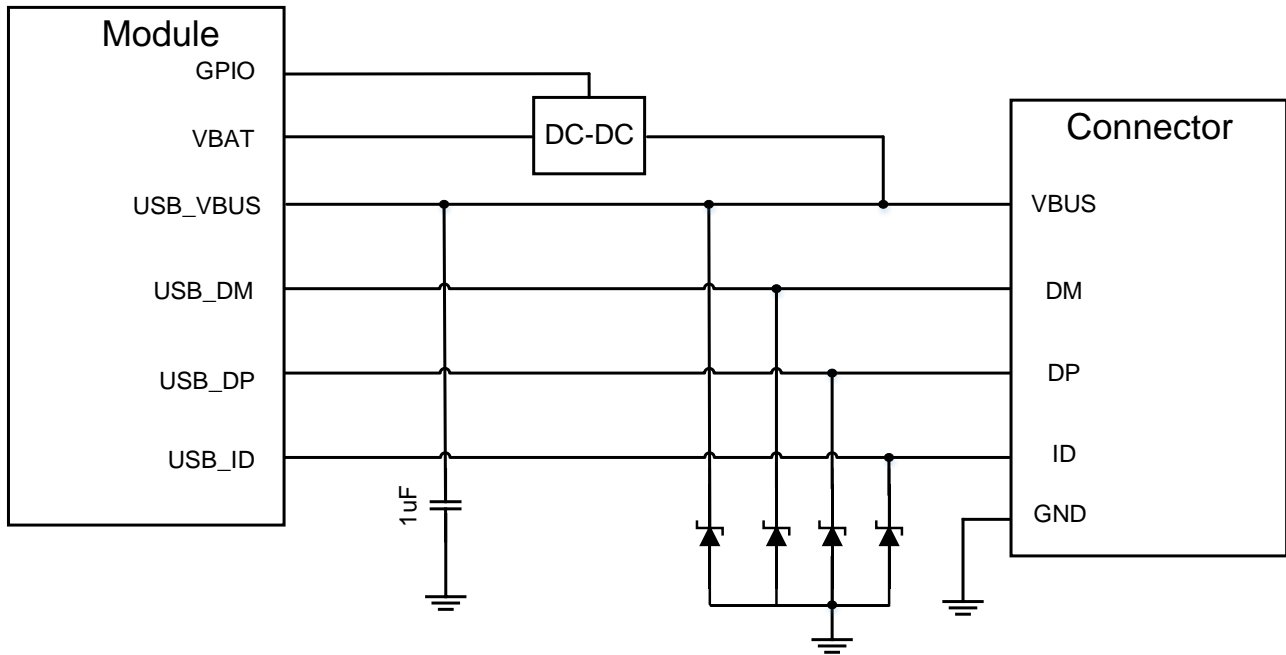


Figure 3-9 USB2.0 reference design (with OTG function)



**Note:**

- 1) Please choose junction capacitor less than 1pF for ESD protection device of USB\_DP/DM
- 2) USB\_DP and USB\_DM are high-speed differential signal. The highest transmission rate is 480Mbps. Please pay attention to the following requirements in PCB layout:
  - USB\_DP and USB\_DM signal cables are required to be parallel and equal in length (differential cable length controlled within 2mm), while the right-angle route shall be avoided, and differential 90Ω impedance shall be controlled.
  - USB2.0 differential signal cable laid on the signal layer nearest to the ground, with well grounded.
- 3) Please choose DC-DC that satisfy output is 5V when support OTG function.

Table 3-7 Length of USB differential signal line in module

Pin Name	Pin Number	Length (mm)	Length Difference (DP-DM) mm
USB_DP	14	11.33134	0.40037
USB_DM	13	10.93097	

## 3.4 UART

SU806D-EAU series module defines three UART ports, all are 1.8V voltage domain, the function of UART2 has not achieved at present. Its pin definition is shown in the following table:

Table 3-8 UART interface pin definition

Pin Name	Pin Number	I/O	Description	Note
UART0_TX	34	DO	UART0 data transmission	-
UART0_RX	35	DI	UART0 data reception	-
UART0_CTS	36	DI	UART0 clear to send	-
UART0_RTS	37	DO	UART0 request to send	-
UART1_TX	94	DO	UART1 data transmission	Debug_UART serial port by default
UART1_RX	93	DI	UART1 data reception	
UART2_TX	226	DO	UART2 data transmission	Reserved
UART2_RX	225	DI	UART2 data reception	Reserved



**Note:**

Please do not pull down UART1\_TX before module power on, otherwise module will not be powered on normally.

All series ports are 1.8V voltage domain, if the peripheral is other voltage domain, please add level shift.

Level shift reference design is shown in the following figure:

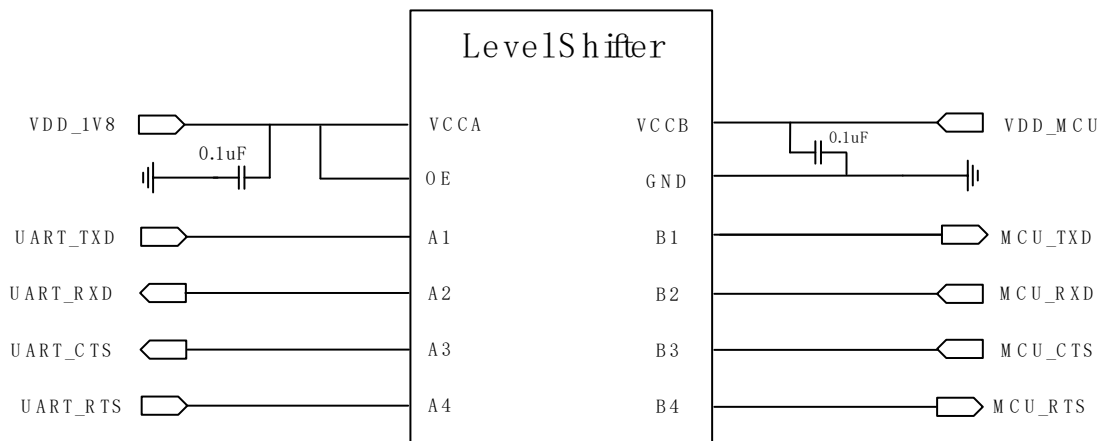


Figure 3-10 Level shift reference design

The other level translator circuit is shown as Figure 3-11, The rest input and output circuit design of dotted line please refer to solid line part, but pay attention to signal connection direction.

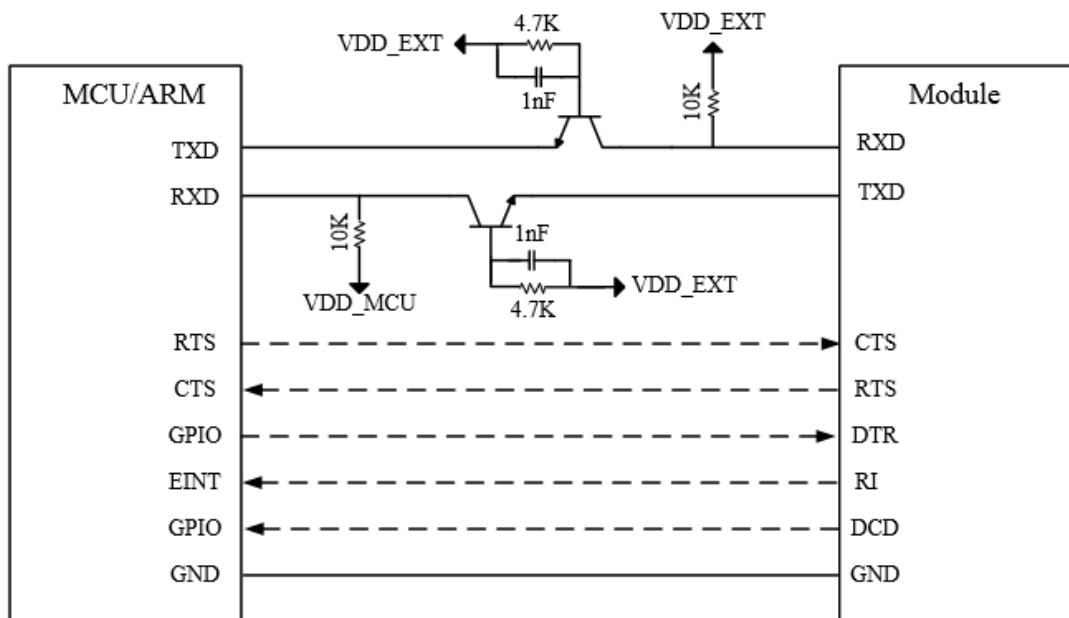


Figure 3-11 Level shift reference design 2

### 3.5 SPI

SU806D-EAU series module provides one master only SPI interface, the pin definition is shown in the following table:

Table 3-9 SPI pin definition

Pin Name	Pin Number	I/O	Description	Note
SPI_CLK	116	DO	SPI clock	-

SPI_CS	117	DO	SPI chip selects	-
SPI_MISO	118	DI	SPI master input slave output	-
SPI_MOSI	119	DO	SPI master output slave input	-

### 3.6 (U)SIM

The SU806D-EAU series module supports two (U)SIM cards, dual-SIM dual-standby single-active (default double) and both support hot plug (default off).

Table 3-10 (U)SIM pin definition

Pin Name	Pin Number	I/O	Description	Note
UIM1_DATA	25	I/O	(U)SIM 1 data signal	-
UIM1_CLK	24	DO	(U)SIM 1 clock signal	-
UIM1_RST	23	DO	(U)SIM 1 reset signal	-
UIM1_DET	22	DI	(U)SIM 1 plug detection	Disabled by default, cannot used as general GPIO
UIM2_DATA	20	I/O	(U)SIM 2 data	-
UIM2_CLK	19	DO	(U)SIM 2 clock	-
UIM2_RST	18	DO	(U)SIM 2 reset	-
UIM2_DET	17	DI	(U)SIM 2 plug detection	Disabled by default, cannot used as general GPIO
VDDSIM1	26	PO	(U)SIM 1 power supply	-
VDDSIM2	21	PO	(U)SIM 2 power supply	-

(U)SIM reference design is shown as the following figure:

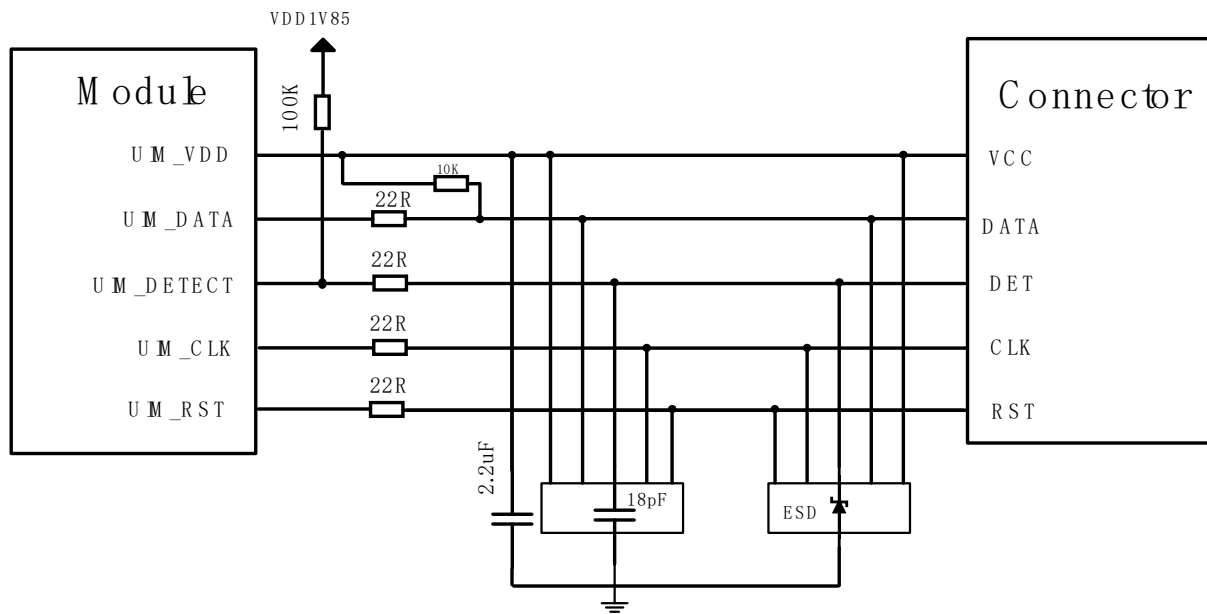


Figure 3-12 (U)SIM reference design

(U)SIM card design notice:

- 1) The length from the (U)SIM card holder to module should less than 100mm.
- 2) The layout and routing of the (U)SIM card must be kept away from EMI interference sources such as RF antenna and digital switch power.
- 3) The decoupling capacitors of the (U)SIM card signal and the ESD device should be placed close to the card holder.

### 3.7 SDIO

SU806D-EAU series module supports one SDIO interface. The pin definition is shown in the following table:

Table 3-11 SDIO pin definition

Pin Name	Pin Number	I/O	Description	Note
SD_DET	45	DI	SD card detect	Active low
SD_DATA3	44	I/O	SD card data3	-
SD_DATA2	43	I/O	SD card data2	-
SD_DATA1	42	I/O	SD card data1	-
SD_DATA0	41	I/O	SD card data0	-

Pin Name	Pin Number	I/O	Description	Note
SD_CMD	40	I/O	SD card command	-
SD_CLK	39	DO	SD card clock	-
VDDSDCORE	38	PO	Power for SD card	-
VDDSDIO	32	PO	Power for SDIO interface	-

SDIO interface reference design is show in the following figure:

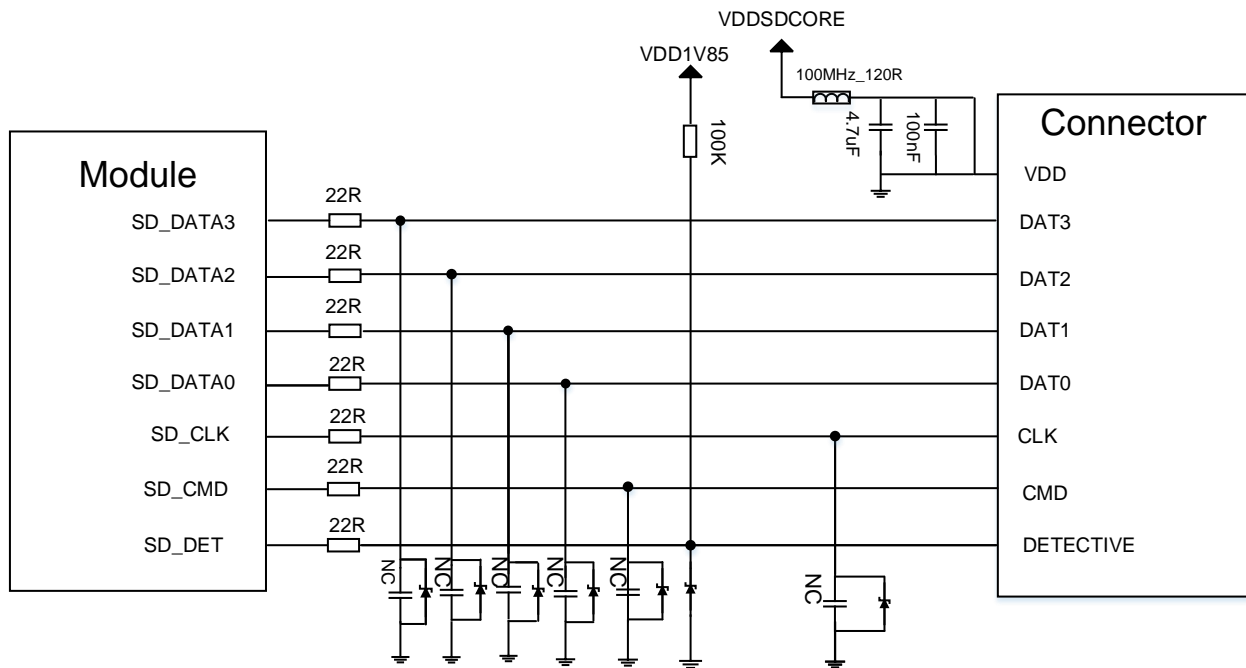


Figure 3-13 SDIO reference design

SDIO design notice:

- 1) VDDSDCORE is the SD card peripheral driving power and can provide about 400mA current. SD3.0 need external LDO with power driver ability more than 800mA.
- 2) Match all SD signals length and pay attention to controlling the width of trace.
- 3) Pull up SD\_DET with VDD1V85.
- 4) SDIO is a high-speed digital signal cable, needs to be shielded.

### 3.8 GPIO

SU806D-EAU series module have rich GPIOs and the interface level is 1.8V. The pin definition is shown in the following table:

Table 3-12 GPIO list

Pin Name	Pin Number	H/L/Hiz After Reset	After Reset	Interrupt Function
GPIO_134	33	L	INPUT(WPD)	YES
GPIO_129	90	L	INPUT(WPD)	YES
GPIO_135	98	H	INPUT(WPU)	YES
GPIO_136	99	H	INPUT(WPU)	YES
GPIO_137	100	H	INPUT(WPU)	YES
GPIO_131	101	L	INPUT(WPD)	YES
GPIO_130	102	L	INPUT(WPD)	YES
GPIO_133	103	L	INPUT(WPD)	YES
GPIO_132	104	L	INPUT(WPD)	YES
GPIO_121	105	L	OUTPUT	YES
GPIO_138	106	H	INPUT(WPU)	YES
GPIO_91	108	L	INPUT(WPD)	YES
GPIO_32	112	L	INPUT(WPD)	YES
GPIO_89	113	L	OUTPUT	YES
GPIO_122	115	Hiz	WPD	YES
GPIO_139	123	H	INPUT(WPU)	YES
GPIO_140	124	H	INPUT(WPU)	YES
GPIO_88	153	H	INPUT(WPU)	YES
GPIO_30	159	L	INPUT(WPD)	YES
GPIO_29	183	L	INPUT(WPD)	YES
GPIO_27	187	L	INPUT(WPD)	YES
GPIO_85	202	Hiz	OUTPUT	YES
GPIO_154	203	L	INPUT(WPD)	YES
GPIO_155	205	L	INPUT(WPD)	YES
GPIO_28	206	L	INPUT(WPD)	YES

Pin Name	Pin Number	H/L/Hiz After Reset	After Reset	Interrupt Function
GPIO_24	207	L	INPUT(WPD)	YES
GPIO_11	241	L	INPUT(WPD)	YES
GPIO_7	242	L	INPUT(WPD)	YES
GPIO_143	243	H	INPUT(WPU)	YES
GPIO_10	244	L	INPUT(WPD)	YES
GPIO_141	97	H	INPUT(WPU)	YES
GPIO_26	252	L	INPUT(WPD)	YES
GPIO_22	253	L	INPUT(WPD)	YES
GPIO_23	254	L	INPUT(WPD)	YES



**Note:**

H: High-voltage tolerant

L: Low-voltage tolerant

Hiz: High impedance

WPU: Weak pull up

WPD: Weak pull down

### 3.9 I<sup>2</sup>C

SU806D-EAU series module provides four I2C interfaces for TP, camera, sensor, etc. And four I2C interfaces are all internal pull up, when in use, please reserve pull-up resistors to 1.8V power domain. The pin definition is shown in the following table:

Table 3-13 I2C pin definition

Pin Name	Pin Number	I/O	Description	Note
SENSOR_I2C_SCL	91	DO	I2C clock	For sensor by default
SENSOR_I2C_SDA	92	I/O	I2C data	For sensor by default
TP_I2C_SCL	47	DO	I2C clock	For touch panel by default
TP_I2C_SDA	48	I/O	I2C data	For touch panel by default



CAM_I2C_SCL0	83	DO	I2C clock	For rear/front camera by default
CAM_I2C_SDA0	84	I/O	I2C data	For rear/front camera by default
CAM_I2C_SCL1	239	DO	I2C clock	For depth camera by default
CAM_I2C_SDA1	240	I/O	I2C data	For depth camera by default



**Note:**

When I2C has more than one peripheral, please ensure the uniqueness of every peripheral address.

## 3.10 RBG

SU806D-EAU series module provides three RGB LED inputs, its pin definition is shown in the following table:

Table 3-14 RGB pin definition

Pin Name	Pin Number	I/O	Description	Note
LED_B	194	AI	RGB LED input 2	-
LED_G	195	AI	RGB LED input 1	-
LED_R	196	AI	RGB LED input 0	-

## 3.11 ADC

SU806D-EAU series module provides one ADC interface and its maximum resolution is 12 bits. It provides one ADC4\_BAT\_ID which is use for charging temperature detection. Its pin definition is shown in the following table:

Table 3-15 ADC pin definition

Pin Name	Pin Number	I/O	Description	Note
ADC	128	AI	ADC detection	Detection voltage range is 0.1V~1.2V with maximum 50mV accuracy and 0.1V~3.0V with maximum 150mV test accuracy, software configurable

ADC4_BAT_ID	260	AI	BAT_ID detection	-
-------------	-----	----	------------------	---

### 3.12 Battery Power Supply Interface

SU806D-EAU series module just support circuit modes coulomb counter fuel gauge, if use coulomb counter IC externally, please connect SENSE\_P and SENSE\_N pin to GND.

Table 3-16 Battery power supply pin definition

Pin Name	Pin Num	I/O	Description	Note
CHARGE_SEL	127	DI	Charge modes select	Reserved
VBAT_SNS	133	AI	Battery voltage sense	-
VBAT_THERM	134	AI	Battery thermal detect input	NTC resistor is 47K
SENSE_N	258	AI	Battery fuel gauge negative input	Reserved
SENSE_P	259	AI	Battery fuel gauge positive input	Reserved

Fuel gauge reference design is shown in the following figure:

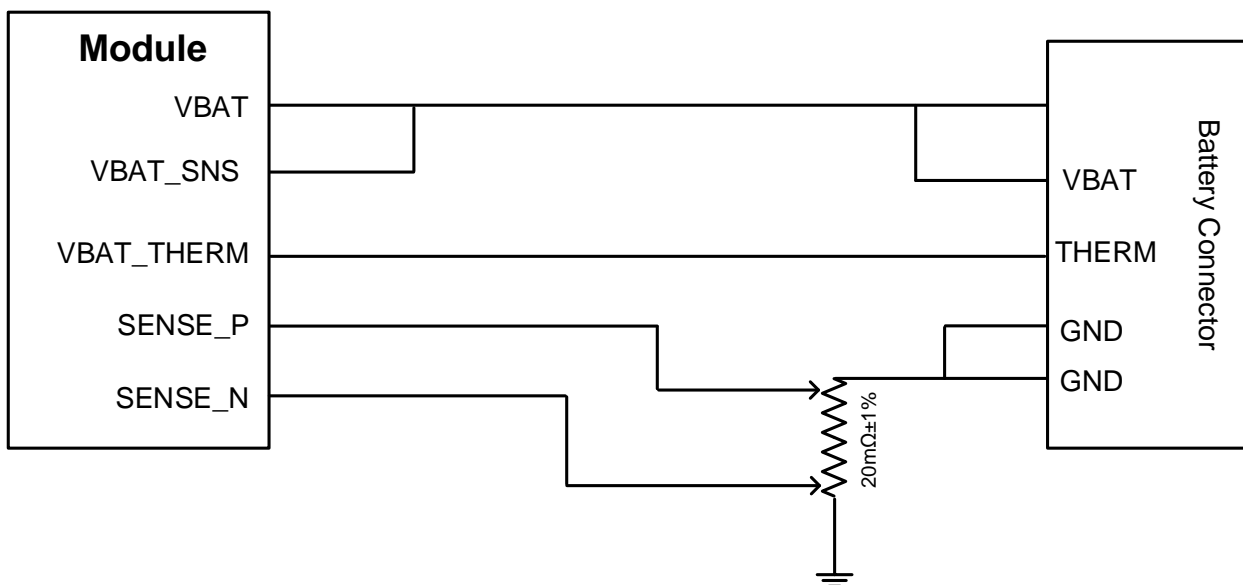


Figure 3-14 Fuel gauge reference design



**Note:**

Trace routing of SENSE\_P and SENSE\_N should follow differential rule.

The impedance of VBAT\_SNS pin varies with the use scenario, if VBAT\_SNS not connect with battery directly, recommend add isolators between VBAT\_SNS pin and battery.

### 3.13 Charge Enable Interface

Table 3-17 Charge enable interface pin definition

Pin Name	Pin Number	I/O	Description	Note
CHG_EN	210	AO	Charge enable output	The module does not support charging, and DC-DC circuit can be added if charging function is required.

### 3.14 Vibration Motor Driver Interface

Table 3-18 Vibration motor driver pin definition

Pin Name	Pin Number	I/O	Description	Note
VIB_DRV_N	28	PO	Vibration motor driver output	Can be configured as LDO mode and connect with Vibration motor +

### 3.15 LCM

The video output of SU806D-EAU series module can support single-screen display. Its screen interface is based on MIPI\_DSI standard and supports 4 sets of high-speed differential data transmit, and supports HD+ maximum.

Table 3-19 LCM pin definition

Pin Name	Pin Number	I/O	Description	Note
VDD1V85	111	PO	LCD IO voltage	-
VDD2V8	228	PO	LCD analog power VDD	-
MIPI_DSI0_CLK_N	52	AO	MIPI display serial interface clock -	-
MIPI_DSI0_CLK_P	53	AO	MIPI display serial interface clock +	-
MIPI_DSI0_LN0_N	54	AO	MIPI display serial interface Lane0 -	-

Pin Name	Pin Number	I/O	Description	Note
MIPI_DSI0_LN0_P	55	AO	MIPI display serial interface Lane0 +	-
MIPI_DSI0_LN1_N	56	AO	MIPI display serial interface Lane 1-	-
MIPI_DSI0_LN1_P	57	AO	MIPI display serial interface Lane 1+	-
MIPI_DSI0_LN2_N	58	AO	MIPI display serial interface Lane 2-	-
MIPI_DSI0_LN2_P	59	AO	MIPI display serial interface Lane 2+	-
MIPI_DSI0_LN3_N	60	AO	MIPI display serial interface Lane 3 -	-
MIPI_DSI0_LN3_P	61	AO	MIPI display serial interface Lane 3 +	-
LCD_RST	49	DO	LCD reset	-
PWM	29	DO	LCD backlight PWM	-
LCD_TE	50	DI	LCD tearing effect	Keep floating if unused
GPIO_25	190	DO	LCD backlight enable	-

The reference design of LCD interface circuit is shown as follows:

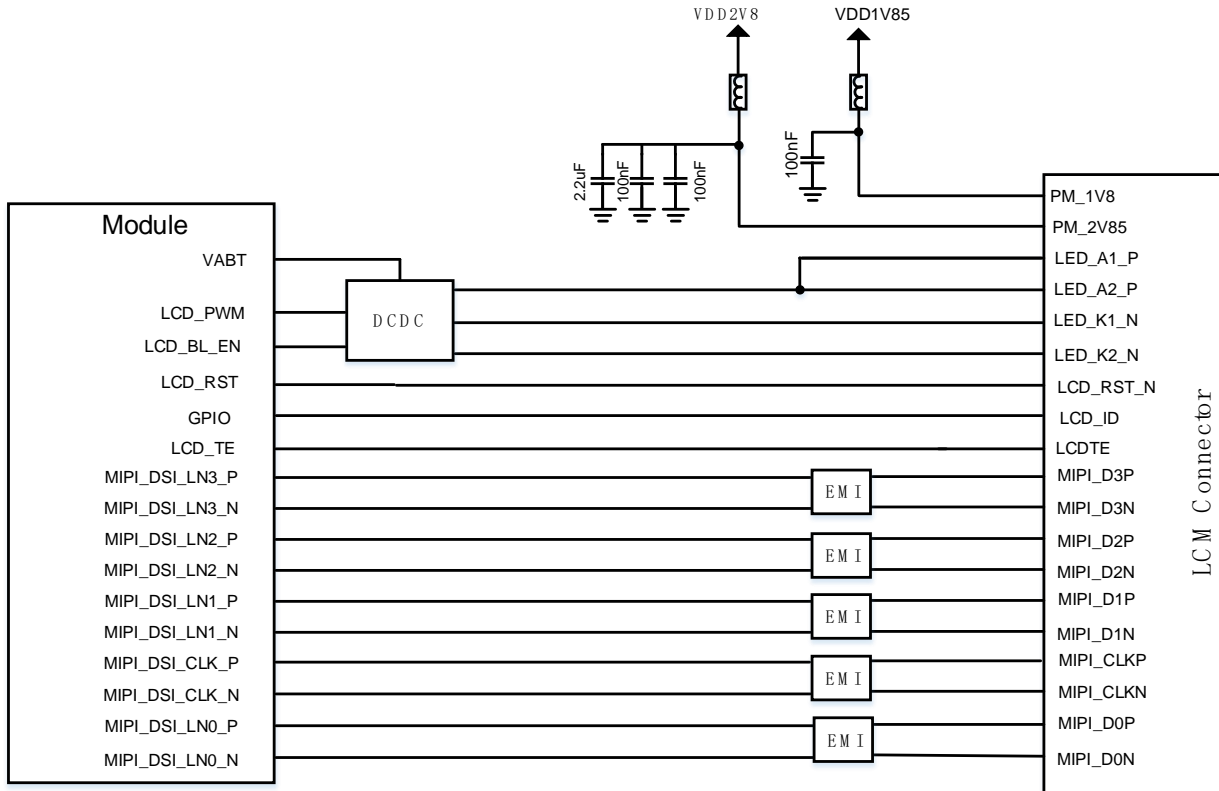


Figure 3-15 LCM reference design

LCM design notice:

- 1) MIPI is a high-speed signal. It is recommended to connect the common mode inductor in series near the LCD connector to reduce the electromagnetic interference of the circuit.
- 2) MIPI routing is recommended to be in the inner layer, with three-dimensional grounding;
- 3) The MIPI signal needs to be controlled with a differential impedance of 100Ω tolerance ±10%;
- 4) The total length of the trace must ≤70mm, VIAs≤4;
- 5) The intra lane match of MIPI differential pair signal must ≤ 0.5mm;
- 6) The inter lane match of MIPI signal must ≤ 2mm;
- 7) It is recommended that the space of intra lane should be 1.5 times trace width and the differential cable should keep 3 times trace width from other cable;
- 8) The parasitic capacitance of differential signal must not exceed 1.0pF;

Table 3-20 Length of MIPI\_DSI differential signal line in module

Pin Name	Pin Number	Length (mm)	Length Difference (DP-DM) mm
MIPI_DSI0_CLK_N	52	62.96494	0.03838

Pin Name	Pin Number	Length (mm)	Length Difference (DP-DM) mm
MIPI_DSI0_CLK_P	53	63.00332	
MIPI_DSI0_LN0_N	54	62.71304	-0.27227
MIPI_DSI0_LN0_P	55	62.44077	
MIPI_DSI0_LN1_N	56	62.22446	0.32383
MIPI_DSI0_LN1_P	57	62.54829	
MIPI_DSI0_LN2_N	58	62.8235	0.1031
MIPI_DSI0_LN2_P	59	62.9266	
MIPI_DSI0_LN3_N	60	63.84148	-0.39457
MIPI_DSI0_LN3_P	61	63.44691	

### 3.16 TP

SU806D-EAU series module provides one I2C interface can be used to connect the touch panel and it provides power, interrupt, reset pins. The pin definition of the module is shown in the follow table:

Table 3-21 TP pin definition

Pin Name	Pin Number	I/O	Description	Note
TP_INT	30	DI	LCD TP interrupt signal	-
TP_RST	31	DO	LCD TP reset signal	-
VDD1V85	111	PO	LCD TP IO voltage output	-
VDD2V8	228	PO	LCD TP VDD voltage output	-
TP_I2C_SCL	47	DO	LCD TP I2C clock	-
TP_I2C_SDA	48	I/O	LCD TP I2C data	-

TP reference design circuit is shown as follows:

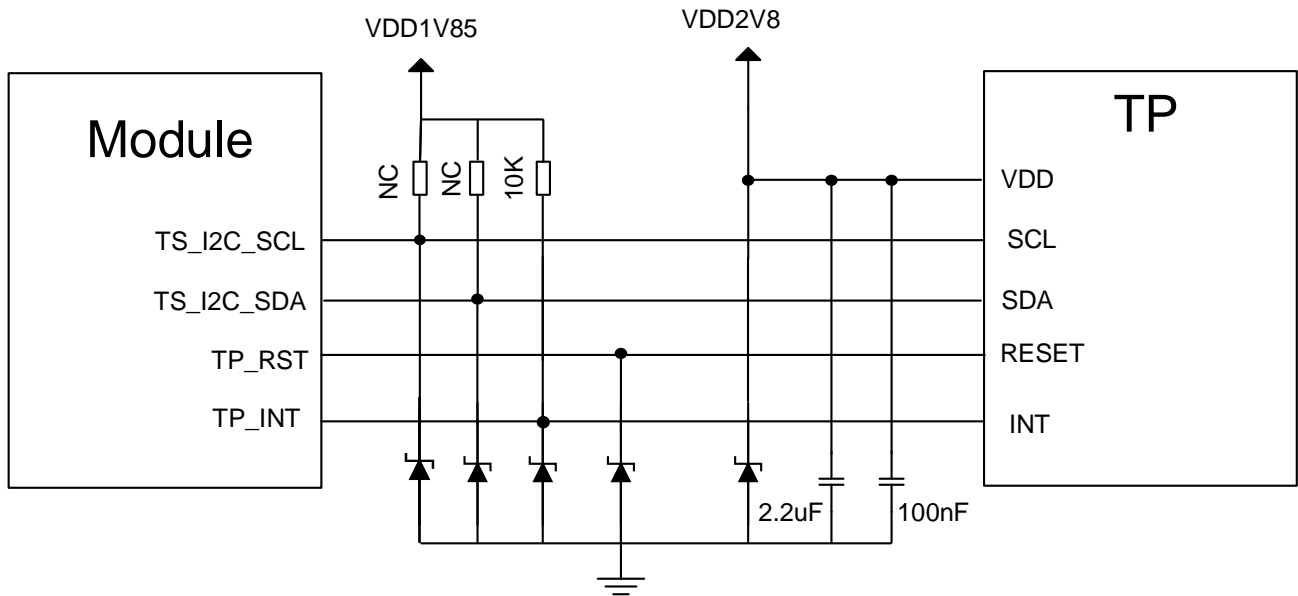


Figure 3-16 TP reference design

### 3.17 Camera

The camera interface is based on the MIPI\_CSI standard and can support three (4-lane+2-lane+1-lane) cameras, maximum 13MP. The pin definition of camera interface is shown in the following table:

Table 3-22 Camera interface pin definition

Pin Name	Pin Number	I/O	4-Lane+2-Lane+1-Lane	Note
VDD1V8	125	PO	DOVDD power supply, 1.8V	
VDDCAMA	129	PO	AVDD power supply, 2.8V	-
VDDCAMMOT	152	PO	Camera focus motor drive AFVDD power supply, 2.8V	-
VDDCAMCORE	151	PO	DVDD power supply, 1.2V	-
MIPI_CSI0_CLK_P	229	AI	MIPI rear camera serial interface clock+	-
MIPI_CSI0_CLK_N	230	AI	MIPI rear camera serial interface clock+	-
MIPI_CSI0_LN0_P	155	AI	MIPI rear camera serial interface lane 0+	-
MIPI_CSI0_LN0_N	231	AI	MIPI rear camera serial interface lane 0-	-
MIPI_CSI0_LN1_P	156	AI	MIPI rear camera serial interface lane 1+	-

Pin Name	Pin Number	I/O	4-Lane+2-Lane+1-Lane	Note
MIPI_CSI0_LN1_N	232	AI	MIPI rear camera serial interface lane 1-	-
MIPI_CSI0_LN2_P	157	AI	MIPI rear camera serial interface lane 2+	-
MIPI_CSI0_LN2_N	233	AI	MIPI rear camera serial interface lane 2-	-
MIPI_CSI0_LN3_P	158	AI	MIPI rear camera serial interface lane3+	-
MIPI_CSI0_LN3_N	234	AI	MIPI rear camera serial interface lane 3-	-
MCAM_MCLK	74	DO	Rear camera master clock	-
MCAM_RST	79	DO	Rear camera reset	-
MCAM_PWDN	80	DO	Rear camera power down	-
CAM_I2C_SCL0	83	DO	Rear camera I2C clock	-
CAM_I2C_SDA0	84	I/O	Rear camera I2C data	-
MIPI_CSI1_CLK_N	63	AI	MIPI front camera serial interface clock +	-
MIPI_CSI1_CLK_P	64	AI	MIPI front camera serial interface lane 0 -	-
MIPI_CSI1_LN0_N	65	AI	MIPI front camera serial interface lane 0 +	-
MIPI_CSI1_LN0_P	66	AI	MIPI front camera serial interface lane 0 -	-
MIPI_CSI1_LN1_N	67	AI	MIPI front camera serial interface lane 1 +	-
MIPI_CSI1_LN1_P	68	AI	MIPI front camera serial interface lane 1 -	-
SCAM_MCLK	75	DO	Front camera master clock	-
SCAM_RST	81	DO	Front camera reset	-
SCAM_PWDN	82	DO	Front camera power down	-
MIPI_CSI1_LN3_N	70	AI	MIPI depth camera serial interface clock -	-
MIPI_CSI1_LN3_P	71	AI	MIPI depth camera serial interface clock +	-
MIPI_CSI1_LN2_N	72	AI	MIPI depth camera serial interface lane 0 -	-



Pin Name	Pin Number	I/O	4-Lane+2-Lane+1-Lane	Note
MIPI_CSI1_LN2_P	73	AI	MIPI depth camera serial interface lane 0 +	-
DCAM_MCLK	238	DO	Depth camera master clock	-
DCAM_RST	237	DO	Depth camera reset	-
DCAM_PWDN	236	DO	Depth camera power down	-
CAM_I2C_SCL1	239	DO	Front/depth camera I2C clock	-
CAM_I2C_SDA1	240	I/O	Front/depth camera I2C data	-

### 3.17.1 Rear Camera

Reference design of rear camera is shown as follows:

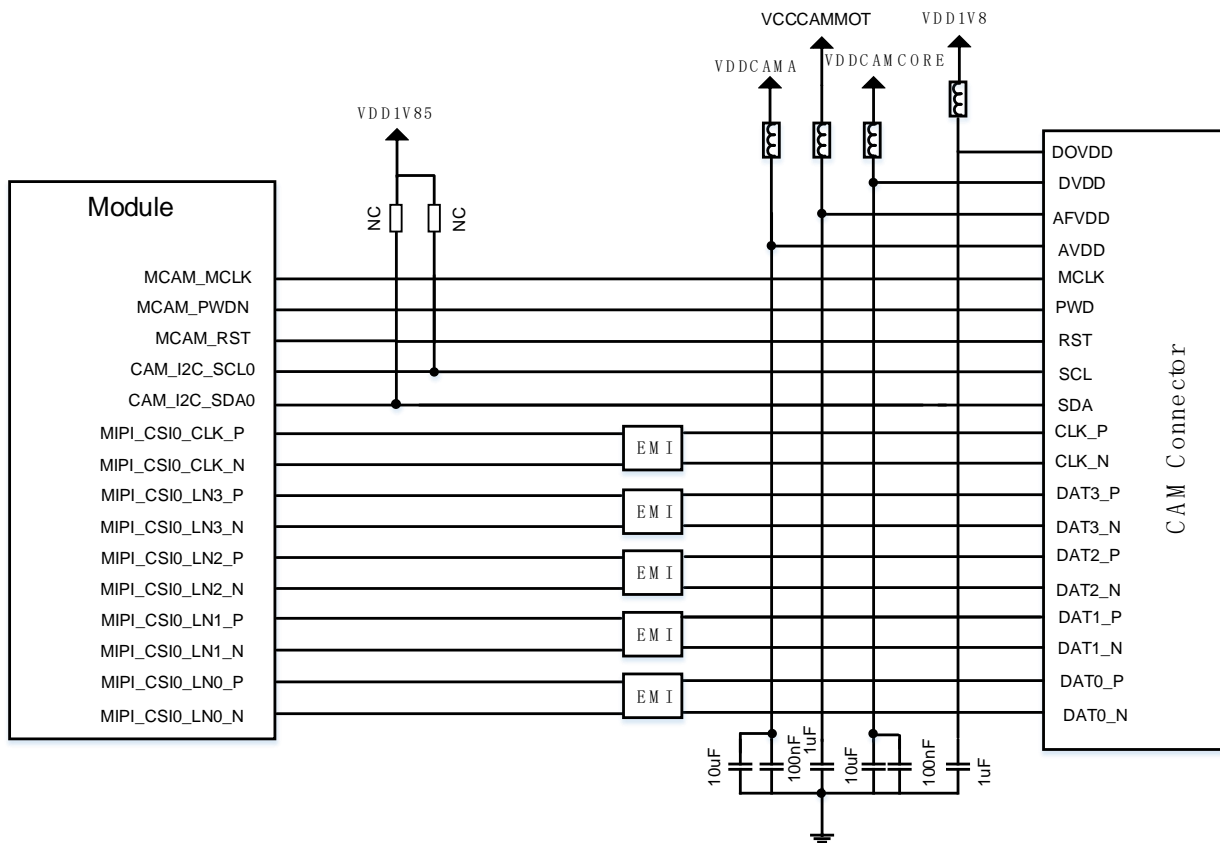


Figure 3-17 Rear camera reference design

### 3.17.2 Front Camera

Reference design of front camera is shown as follows:

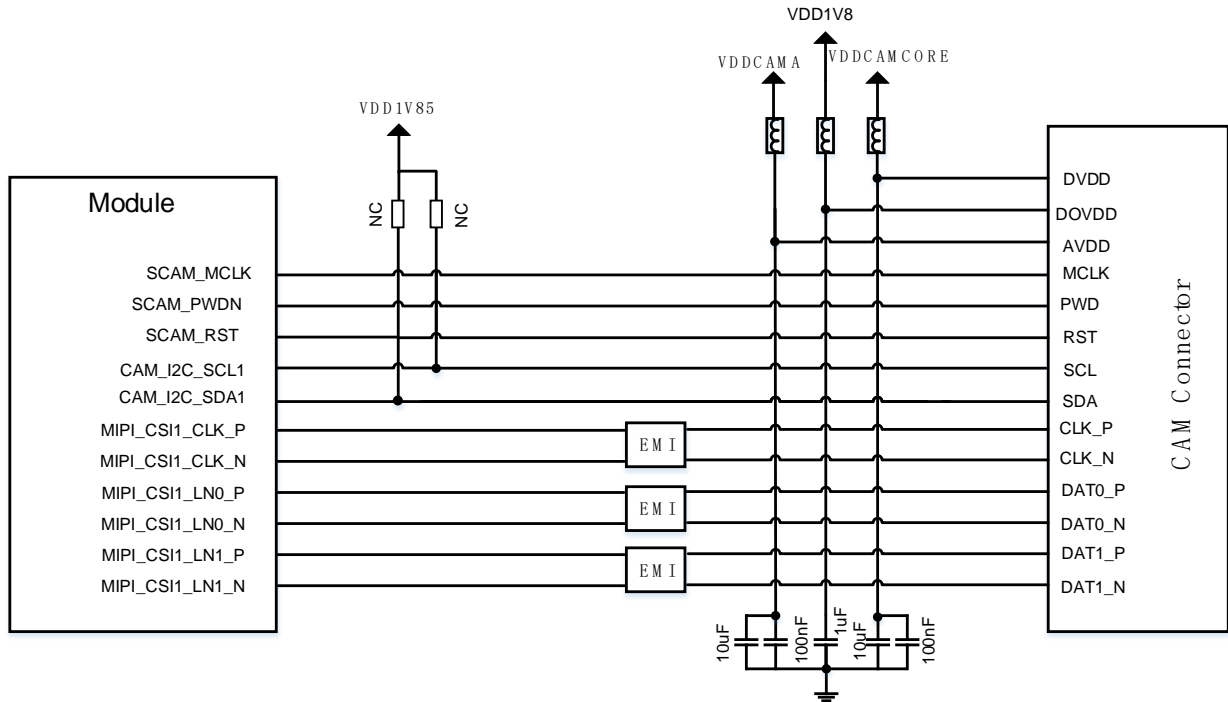


Figure 3-18 Front camera reference design

### 3.17.3 Depth Camera

Pin definition of depth camera is shown as follow:

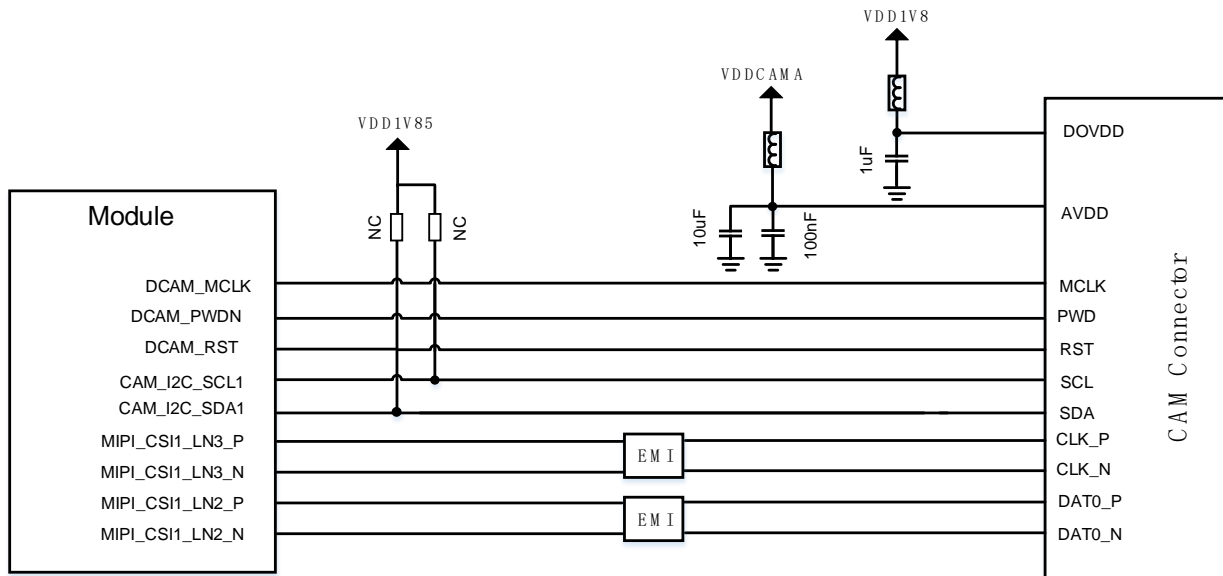


Figure 3-19 Depth camera reference design

### 3.17.4 Design Notice

MIPI\_CSI is a high-speed signal which has relatively high requirement for routing and must be prioritized when PCB layout.

- 1) MIPI is a high-speed signal. It is recommended to connect the common mode inductor in series near the LCD connector to reduce the electromagnetic interference of the circuit.
- 2) MIPI routing is recommended to be in the inner layer, with three-dimensional grounding;
- 3) The MIPI signal needs to be controlled with a differential impedance of 100Ω tolerance ±10%;
- 4) The total length of the trace must ≤ 70mm, VIAs ≤ 4;
- 5) The intra lane match of MIPI differential pair signal must ≤ 0.5mm;
- 6) The inter lane match of MIPI signal must ≤ 2mm;
- 7) It is recommended that the space of intra lane should be 1.5 times trace width and the differential cable should keep 3 times trace width from other cable;
- 8) The parasitic capacitance of differential signal must not exceed 1.0pF;

The matters need attention of another camera signal:

- 9) CAM\_CLK is a high-speed clock signal and requires three-dimensional grounding
- 10) If two cameras share the same I2C interface, please confirm the I2C addresses of the two cameras do not conflict;
- 11) The analog voltage VDDCAMA routing should be away from interference sources, otherwise it is easy to bring interference of power noise;
- 12) Camera analog power supply suggest to add LDO with high PSRR ability and place it near camera.

Table 3-23 Length of MIPI\_CSI differential signal in module

Pin Name	Pin Number	Length (mm)	Length Difference (DP-DM) mm
MIPI_CSI0_CLK_P	229	24.6976	0.2409
MIPI_CSI0_CLK_N	230	24.4567	
MIPI_CSI0_LN0_P	155	24.59549	0.09393
MIPI_CSI0_LN0_N	231	24.50157	
MIPI_CSI0_LN1_P	156	24.65386	0.021
MIPI_CSI0_LN1_N	232	24.63286	
MIPI_CSI0_LN2_P	157	23.86664	0.13116
MIPI_CSI0_LN2_N	233	23.73548	
MIPI_CSI0_LN3_P	158	23.60038	-0.04674

Pin Name	Pin Number	Length (mm)	Length Difference (DP-DM) mm
MIPI_CSI0_LN3_N	234	23.64712	
MIPI_CSI1_CLK_P	64	10.74214	0.04892
MIPI_CSI1_CLK_N	63	10.69322	
MIPI_CSI1_LN0_P	66	11.22924	-0.10242
MIPI_CSI1_LN0_N	65	11.33166	
MIPI_CSI1_LN1_P	68	11.73285	0.28125
MIPI_CSI1_LN1_N	67	11.4516	
MIPI_CSI1_LN2_P	73	19.19065	-0.18467
MIPI_CSI1_LN2_N	72	19.37532	
MIPI_CSI1_LN3_P	71	19.95271	0.07975
MIPI_CSI1_LN3_N	70	19.87296	

### 3.18 Sensor

SU806D-EAU series module supports I2C interface to communicate with various types of sensors, such as accelerometer sensor, ambient light sensor and magnetic sensor etc.

Table 3-24 Sensor interface pin definition

Pin Name	Pin Number	I/O	Description	Note
SENSOR_I2C_SCL	91	DO	I2C clock	-
SENSOR_I2C_SDA	92	I/O	I2C data	-
ALPS_INT_N	107	DI	Ambient light and proximity sensor interrupt	-
MAG_RST	109	DO	Magnetic sensor reset	-
ACCL_INT	110	DI	Accelerometer sensor interrupt	-

## 3.19 Audio

### 3.19.1 Audio Interface Pin Definition

SU806D-EAU series module supports analog audio, have 3 input and 3 output. Pin definition is shown in the following table:

Table 3-25 Audio interface pin definition

Pin Name	Pin Number	I/O	Description	Note
SPK_P	10	AO	Speaker amp+ output	Power consumption 800mW in 8Ω load
SPK_M	11	AO	Speaker amp- output	
EAR_P	8	AO	Earpiece output+	Power consumption 25mW in 32Ω load
EAR_M	9	AO	Earpiece output-	
HPH_L	138	AO	Headset left channel output	-
HPH_GND	137	AI	Headset ground sensing	-
HPH_R	136	AO	Headset right channel output	-
HPH_DET	139	AI	Headset detection	-
MIC2_P	6	AI	Headset mic input	-
MIC1_M	5	AI	Main mic difference input-	-
MIC1_P	4	AI	Main mic difference input+	-
MIC3_P	220	AI	Sub-mic input	-

Design notice:

- 1) SU806D-EAU series module has MIC bias circuit internally, and no external addition is required.
- 2) The SPK is configured as class D amplifier output, cannot connect with amplifier externally, it is recommended to connect 8Ω speakers. Note that the route width must meet the power rating requirements; If an external audio amplifier is required, please use the output of headphone as the input of external audio amplifier.
- 3) The reference ground of the headphone has already grounded in the module. The external circuit is recommended not to be grounded and resistor can be reserved.
- 4) It is recommended to use earpiece with 32Ω impedance.

5) Reduce noise and improve audio quality, the following approaches are recommended.

- Keep audio PCB routing away from the antenna and high-frequency digital signal.
- Reserve LC filter circuit in audio circuit to reduce EMI.
- Audio routing needs to be masked.

### 3.19.2 Microphone Circuit Design

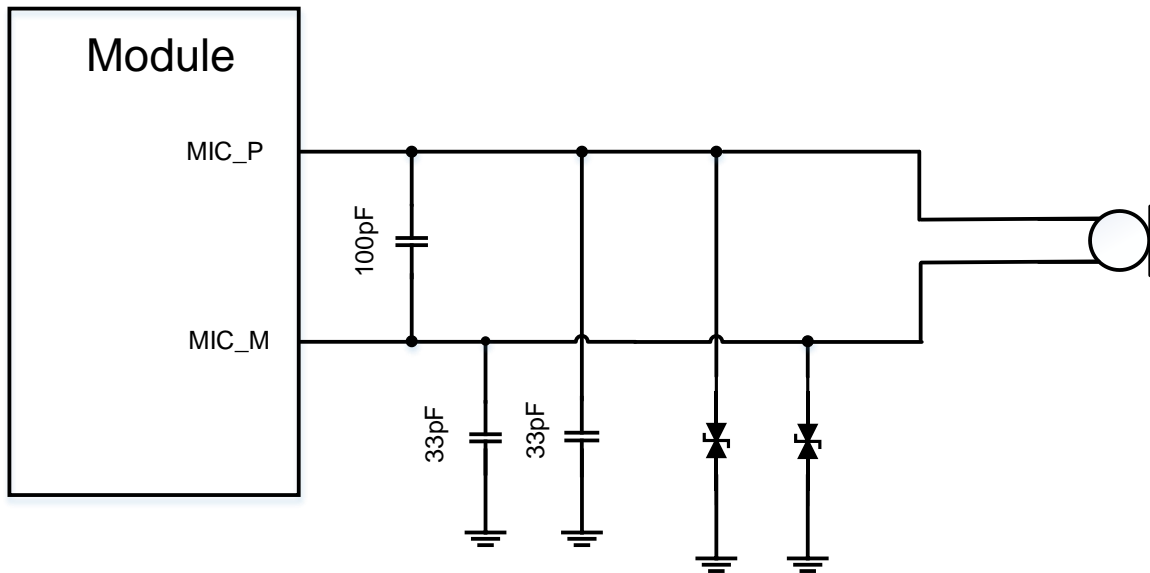


Figure 3-20 Microphone reference design

### 3.19.3 Earpiece Circuit Design

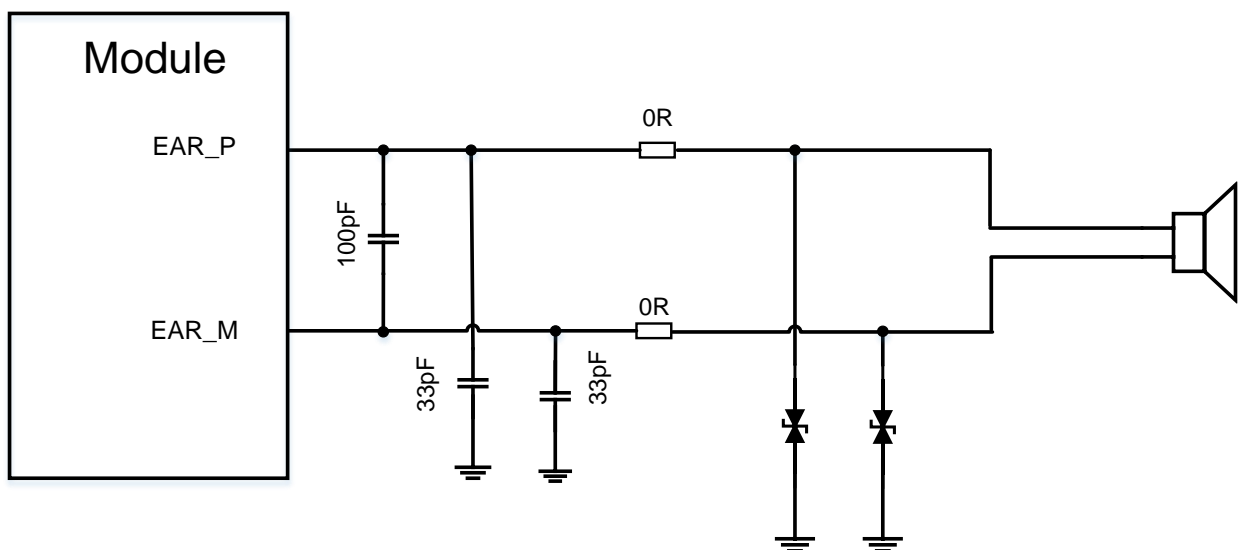


Figure 3-21 Earpiece reference design

### 3.19.4 Headset Circuit Design

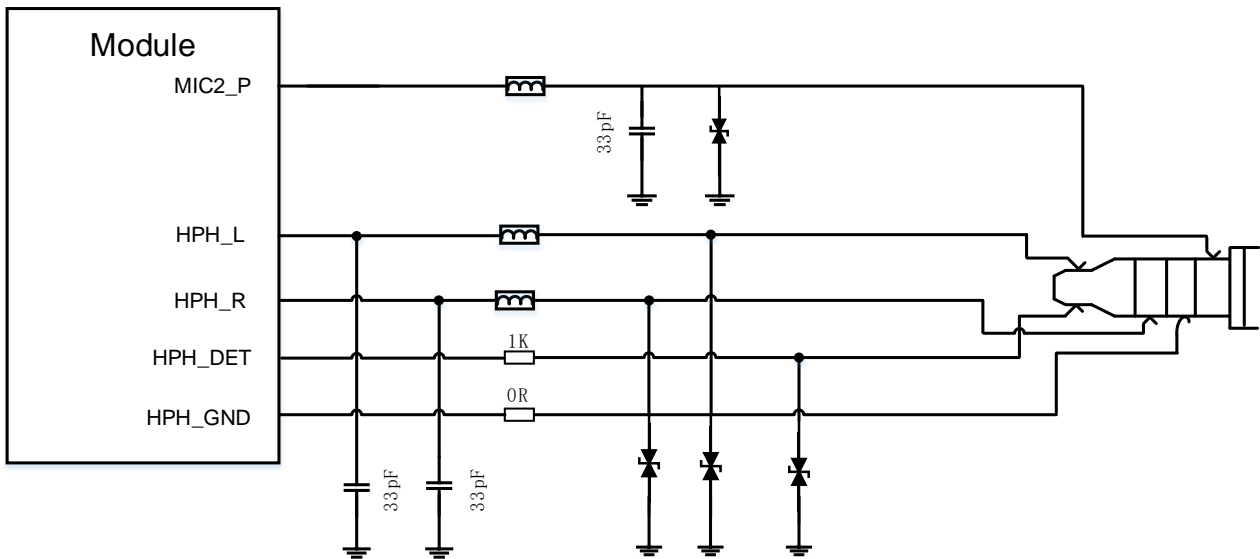


Figure 3-22 Headset reference design



**Note:**

Please choose bidirectional TVS for headset ESD protection.

### 3.19.5 Speaker Circuit Design

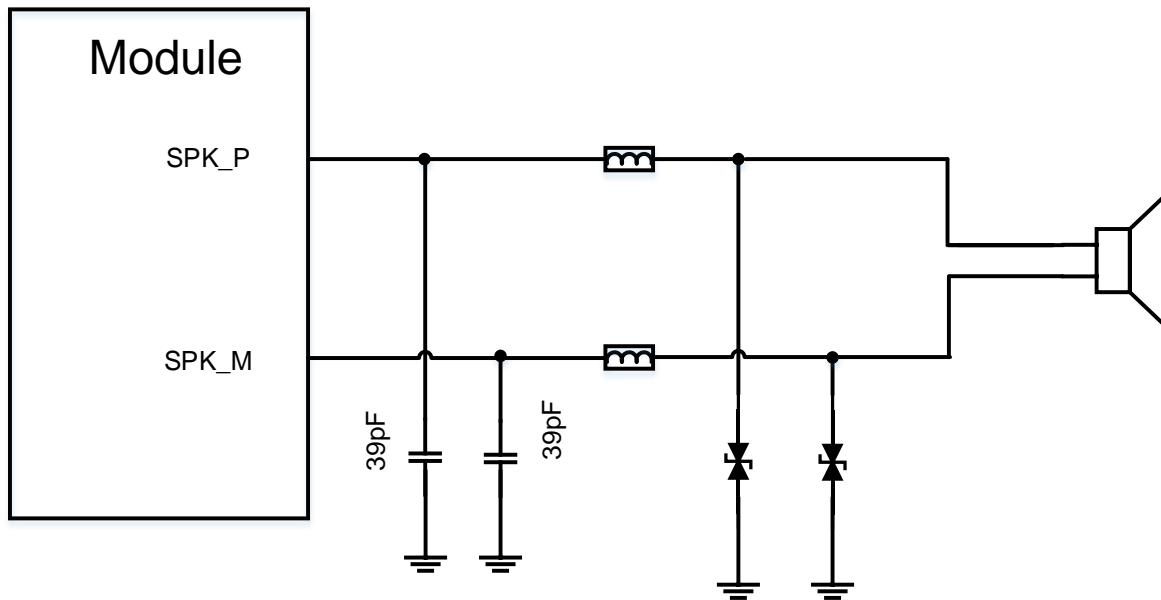


Figure 3-23 Speaker reference design

### 3.20 Force Download Interface

SU806D-EAU series module provides KEY\_FORCE\_BOOT pin as an emergency download interface. Connect the KEY\_FORCE\_BOOT with GND when power on, the module can enter the emergency download mode which is used for the final processing mode when the product fails to power on or run normally. To facilitate the subsequent software upgrade and product debugging, please reserve the test pin of this pin. Reference design is shown in the following figure:

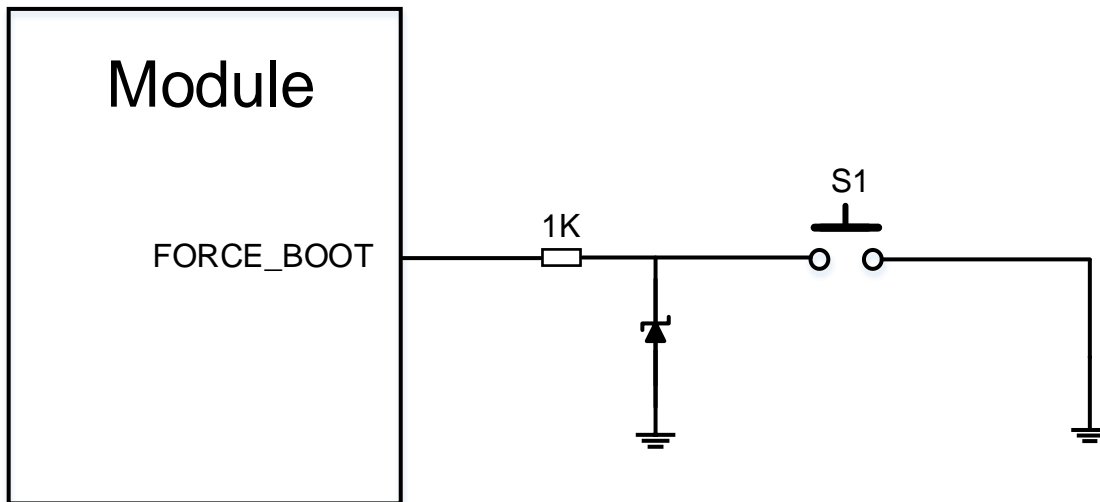


Figure 3-24 Force download reference design



## 4 Antenna Interface

SU806D-EAU series module support 2/3/4G main antenna/diversity reception antenna, WIFI/BT antenna and GNSS antenna.

### 4.1 MAIN/DRX Antenna

SU806D-EAU series module provides two 2G/3G/4G antenna interfaces. The ANT\_MIAN is used to receive and transmit RF signal, the ANT\_DRX is used for diversity reception.

Table 4-1 Main/DRX pin definition

Pin Name	Pin Number	I/O	Description	Note
ANT_MAIN	87	AI/AO	2G/3G/4G main antenna	-
ANT_DRX	131	AI	Diversity reception antenna	-

#### 4.1.1 Antenna Reference Design

When use the SU806D-EAU series module, it is necessary to connect the antenna pin with the RF connector or antenna feed point on the main board via an RF trace. Microstrip trace is recommended for RF trace, with insertion loss within 0.2dB and impedance at 50Ω. A  $\pi$ -type circuit is reserved between the module and the antenna connector (or feed point) for antenna debugging. Two parallel components are directly connected across the RF trace and should not pull out a branch, as the figure shows:

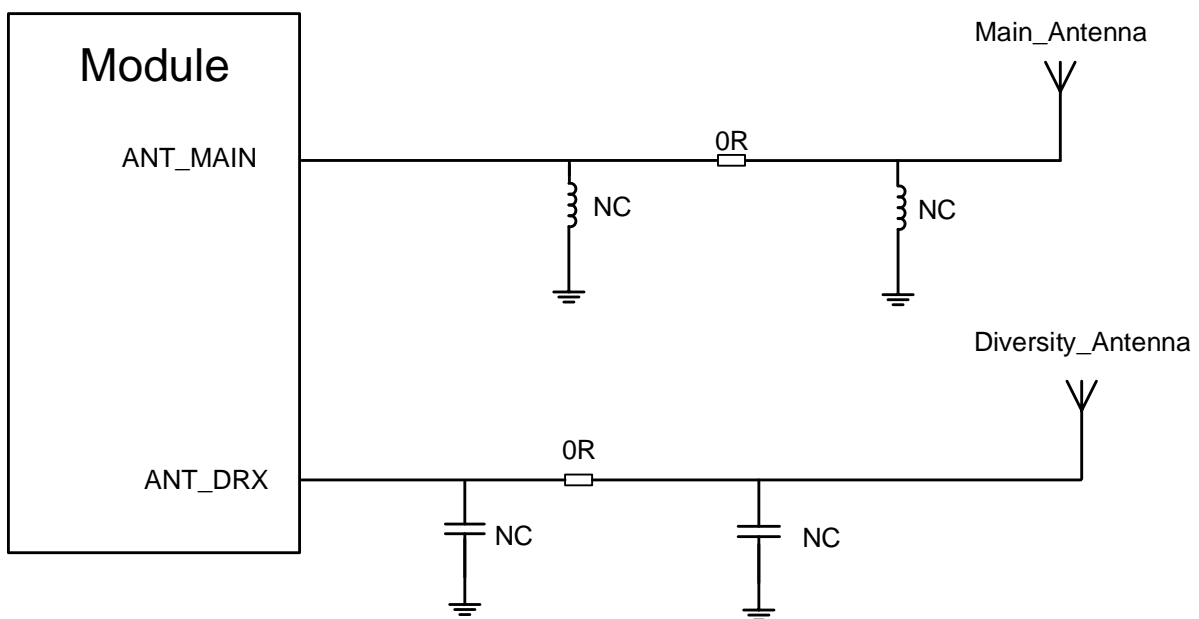


Figure 4-1 MAIN/DRX antenna reference design

## 4.2 WIFI/BT Antenna

Microstrip trace is recommended for the WIFI/BT RF route, with insertion loss within 0.2dB and impedance at 50Ω.

Table 4-4 WIFI/BT antenna interface definition

Pin Name	Pin Number	I/O	Description	Note
ANT_WIFI/BT	77	AI/AO	WIFI/BT antenna	-

### 4.2.1 WIFI/BT Operating Frequency

Table 4-5 WIFI/BT operating frequency

Mode	Frequency	Unit
2.4G WIFI	2402-2482	MHz
BT4.2	2402-2480	MHz
5G WIFI	5150-5825	MHz

### 4.2.2 WIFI/BT Antenna Reference Design

WIFI/BT antenna reference design is shown in the following figure:

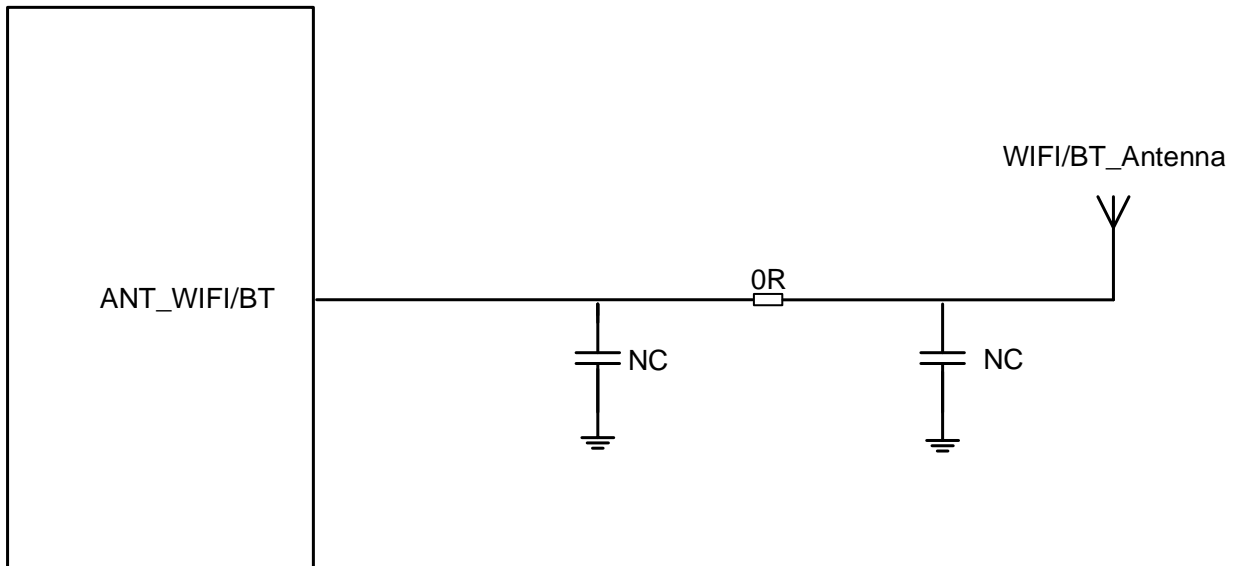


Figure 4-2 WIFI/BT antenna reference design

## 4.3 GNSS Antenna

GNSS supports GPS/BeiDou.

Table 4-6 GNSS antenna interface definition

Pin Name	Pin Number	I/O	Description	Note
ANT_GNSS	121	AI	GNSS antenna	-

### 4.3.1 Operating Frequency

Table 4-7 GNSS operating frequency

Mode	Frequency	Unit
GPS	1575.42±1.023	MHz
BeiDou	1561.098±2.046	MHz

### 4.3.2 GNSS Antenna Reference Design

#### 4.3.2.1 Passive Antenna Reference Design:

SU806D-EAU series module have a built-in LNA. The passive antenna is used in the design of the device. Microstrip trace is recommended for the GNSS RF route, with insertion loss within 0.2dB and impedance at 50Ω.

The GNSS antenna reference design is shown in the following figure:

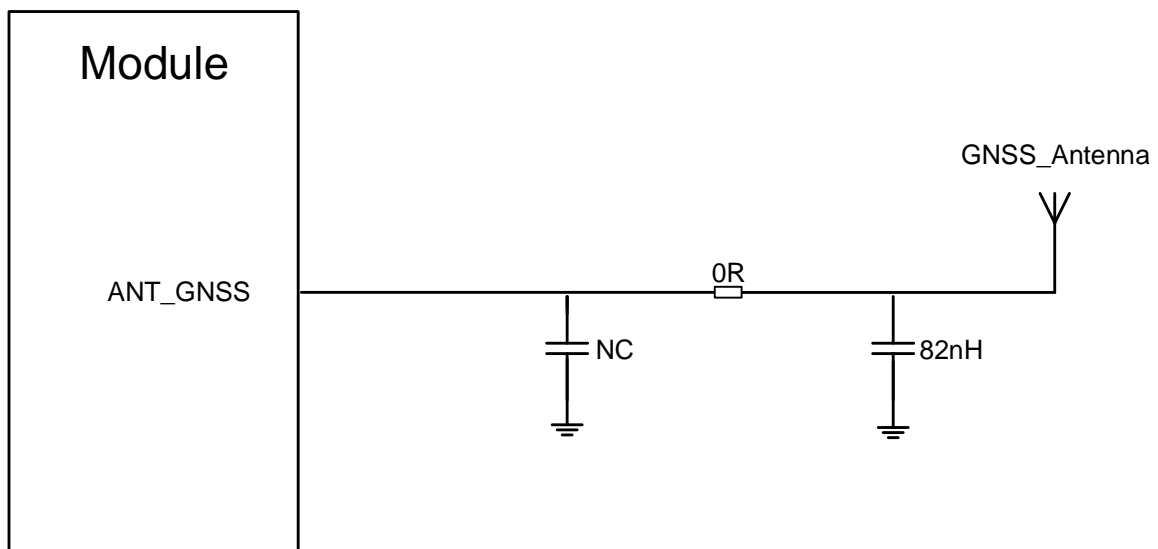


Figure 4-3 GNSS passive antenna reference design



**Note:**

For GNSS passive antenna, it is recommended to add an 82nH inductor near antenna connector to improve GNSS antenna's ability of resist ESD. For better ability of resist ESD, please choose TVS that junction capacitance less than 0.5pF, recommended type: ESD9D5U, with 0.5pF junction capacitance and 5.0V embedded voltage.

### 4.3.2.2 Active Antenna Reference Design

The power of the active antenna is fed from the antenna's signal line through a 56nH inductor. Common active antennas supply power from 3.3V to 5.0V. The active antenna itself consumes very little power, but requires a stable and clean power supply. It is recommended that a high-performance LDO be used to power the antenna.

The active antenna reference circuit is shown in the following figure:

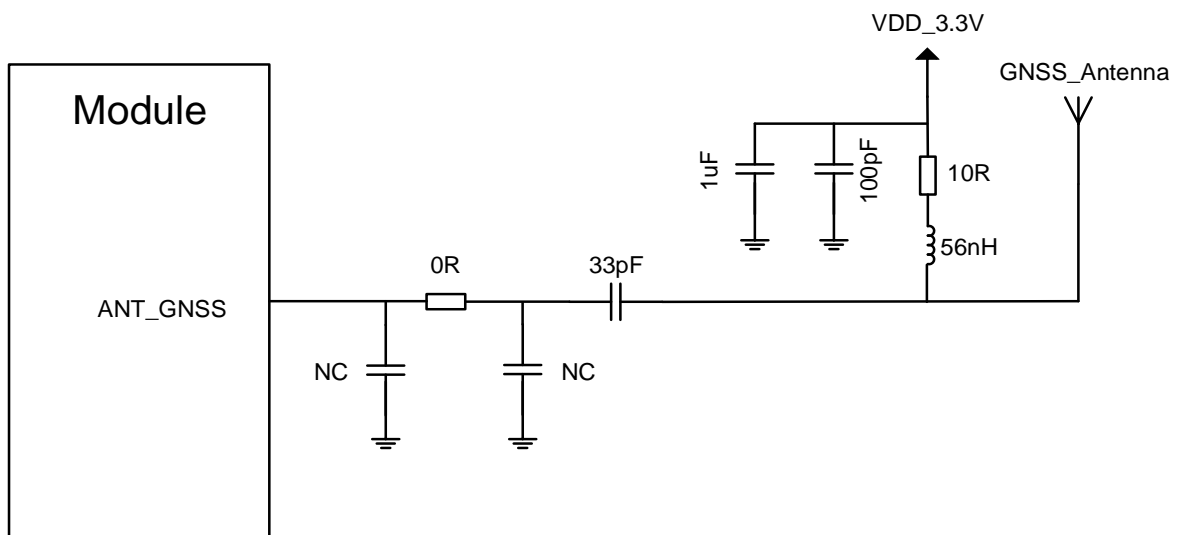


Figure 4-4 GNSS active antenna reference design

## 4.4 Antenna Requirement

SU806D-EAU series module provides four antenna interfaces: main, diversity, WIFI/BT and GNSS. The antenna requirements are as follows:

Table 4-8 Antenna requirements

SU806D-EAU Series Module Antenna Requirement	
Standard	Antenna Requirement
GSM/WCDMA /LTE	VSWR: $\leq 2$ Gain (dBi) $\leq 3$ Max input power (W): 5

SU806D-EAU Series Module Antenna Requirement	
Standard	Antenna Requirement
	Input impedance ( $\Omega$ ): 50 Polarization type: vertical direction Insertion loss: < 1dB (0.7-1GHz) Insertion loss: < 1.5dB(1.4-2.2GHz) Insertion loss: < 2dB (2.3-2.7GHz)
WIFI/BT	VSWR: $\leq 2$ Gain (dBi) $\leq 3$ Max input power (W): 5 Input impedance ( $\Omega$ ): 50 Polarization type: vertical direction Insertion loss: < 1dB
GNSS	Frequency range: 1559MHz~1607MHz Polarization type: right-circular or linear polarization VSWR: < 2 (typical) Passive antenna gain: > 0dBi Active antenna NF: < 15dB (typical) Active antenna gain: > -2dBi

## 5 RF PCB Layout Design Guide

For user PCB, the characteristic impedance of all RF signal traces should be within  $50\Omega$ . In general, the impedance of the RF signal trace is determined by the dielectric constant of the material, the trace width ( $W$ ), the ground clearance ( $S$ ) and the height of the reference ground plane ( $H$ ). The control of the characteristic impedance of the PCB usually in two ways: microstrip trace and coplanar waveguide. To illustrate the design principles, the following figures show the structural designs of microstrip trace and coplanar waveguide when the impedance cable is at  $50\Omega$ .

Microstrip trace entirety structure

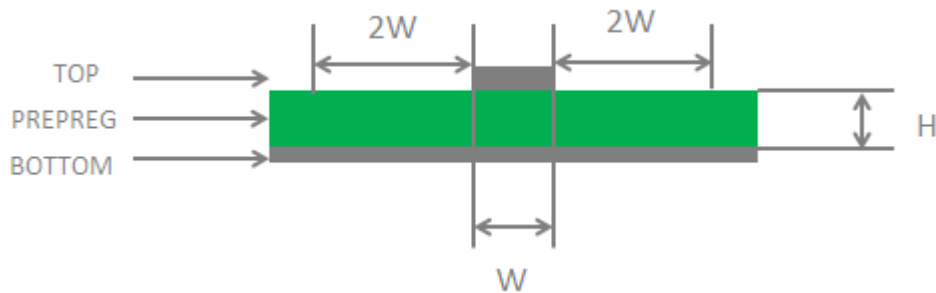


Figure 5-1 Two-layer PCB microstrip cable structure

- Coplanar waveguide entirety structure

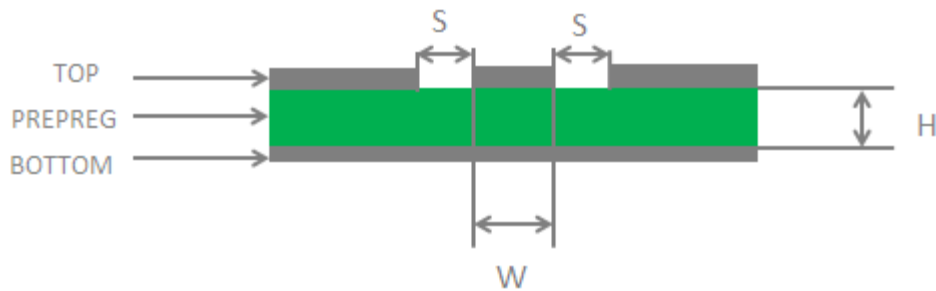


Figure 5-2 Two-layer PCB coplanar waveguide structure

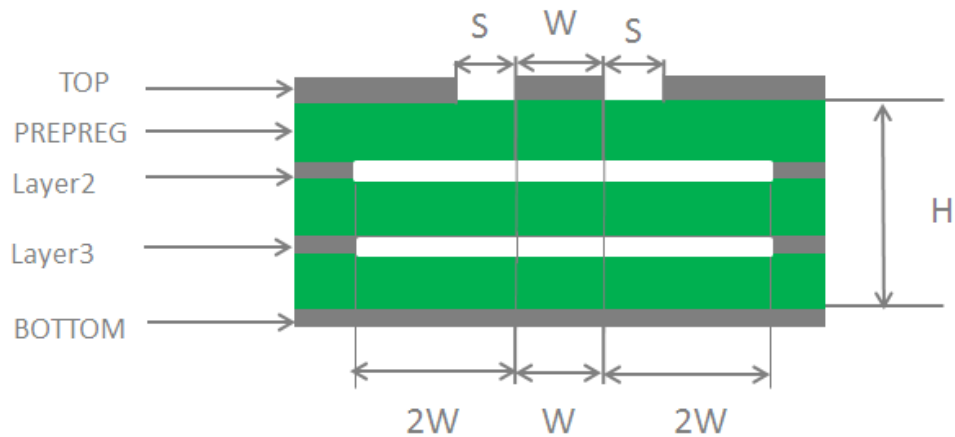


Figure 5-3 Four-layer PCB coplanar waveguide structure (reference ground layer3)

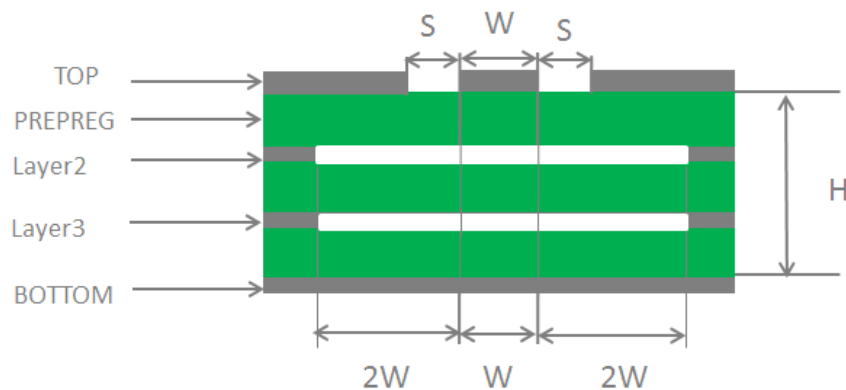


Figure 5-4 Four-layer PCB coplanar waveguide structure (reference ground layer4)

In the design of RF antenna interface circuit, in order to ensure good performance and reliability of the RF signal, it is recommended to observe the following principles:

- The impedance simulation tool should be used to accurately control the RF signal cable at  $50\Omega$  impedance.
- The GND pin adjacent to the RF pin should not have thermal welding plate and should be in full contact with the ground.
- The distance between the RF pin and the RF connector should be as short as possible. At the same time, avoid the right-angle route. The recommended route angle is 135 degrees.
- Attention should be paid to the establishment of the component package and the signal pin should be kept at a certain distance from the ground.
- The reference ground plane of the RF signal trace should be entirety; adding a certain amount of ground holes around the signal and the reference ground can help improve the RF performance; the distance between the ground hole and the signal trace should be at least 2 times the trace width ( $2*W$ ).

# 6 WIFI and Bluetooth

## 6.1 WIFI Overview

SU806D-EAU series module supports 2.4G WLAN wireless communications and 802.11b, 802.11g, 802.11n standards, with a maximum speed up to 72.2Mbps. Its characteristics are as follows:

- Support Wake-on-WLAN (WoWLAN)
- Support ad hoc mode
- Support WAPI
- Support AP mode
- Support Wi-Fi Direct
- Support MCS 0-7 for HT20

## 6.2 WIFI Performance

Test condition:3.8V power supply, environment temperature 25°C

Table 6-1 WIFI transmit power

Frequency	Mode	Bandwidth (MHz)	TX Power (dBm)
2.4G	802.11b	20	≤20
		20	≤20
	802.11g	20	≤20
		20	≤20
	802.11n	20	≤20
		20	≤20
5G	802.11a	20	≤20
	802.11n	20	≤20
	802.11ac	20	≤20



## 6.3 Bluetooth Overview

SU806D-EAU series module supports BT4.2 (BR/EDR+BLE) standards. The modulation method supports GFSK, 8-DPSK and  $\pi/4$ -DQPSK.BR/EDR. Channel bandwidth is 1MHz and can accommodate 79 channels. The BLE channel bandwidth is 2MHz and can accommodate 40 channels. Its main features are as follows:

- BT 4.2 + BR/EDR + BLE
- Support for ANT protocol
- Support for BT-WLAN coexistence operation, including optional concurrent receive
- Up to 3.5 piconets (master, slave and page scanning)

Table 6-2 BT rate and version information

Version	Date Rate	Throughput	Note
BT1.2	1Mbit/s	> 80Kbit/s	-
BT2.0+EDR	3Mbit/s	> 80Kbit/s	-
BT3.0+HS	24Mbit/s	Refer 3.0+HS	-
BT4.2 LE	24Mbit/s	Refer 4.2 LE	-

## 6.4 Bluetooth Performance

Table 6-3 BT performance index

Type	DH-5	2-DH5	3-DH5	BLE	Unit
Transmitter	$\leq 20$	$\leq 20$	$\leq 20$	$\leq 20$	dBm
Sensitivity	-86	-88	-82	-90	dBm



**Note:**

The sensitivity here is a typical value.

# 7 GNSS

## 7.1 Overview

SU806D-EAU series smart module supports GPS/BeiDou positioning systems. The module is embedded with LNA which can effectively improve the sensitivity of GNSS.

## 7.2 Performance

Test condition:3.8V power supply, environment temperature 25°C

Table 7-1 GNSS positioning performance

Parameter	Description	Typical Result	Unit
Sensitivity	Acquisition	-146	dBm
	Tracking	-155	dBm
C/No	-130dBm	39.8	dB/Hz
TTFF	Cold Start	40	s
	Warm Start	32	s
	Hot Start	3	s
CEP	Static accuracy (95% @-130dbm)	5	m

## 8 Electrical, Reliability and RF Performance

### 8.1 Recommended Parameters

Table 8-1 Recommended parameters

Parameter	Min	Normal	Max	Unit
VBAT	3.5	3.8	4.2	V
USB_VBUS	4.75	5	5.25	V
VRTC	-	3.0	3.35	V
Operating Temperature	-20	25	65	°C
Storage Temperature	-40	25	95	°C

### 8.2 Absolute Maximum Ratings

The functionality of SU806D-EAU series module is subject to the absolute maximum/minimum values listed in the following table. Do not exceed these parameters or the part may be damaged permanently. Operation at absolute maximum ratings is not guaranteed.

Table 8-2 Absolute maximum ratings

Parameter	Description	Min	Max	Unit
VBAT	Power supply	-0.3	5	V
USB_VBUS	VBUS 5V input	-0.3	17	V

### 8.3 Power Consumption

Test condition: 3.8V power supply, environment temperature 25°C

Table 8-3 SU806D-EAU-CN-00 Power consumption

Parameter	Description	Condition	Typical Result	Unit
$I_{off}$	Static leakage current	Power supply, not power on	TBD	uA

Parameter	Description	Condition	Typical Result	Unit
	Software power off current	By AT command or select the power off menu in LCM selection box	TBD	
$I_{\text{sleep}}$	GSM	MFRMS=5	TBD	mA
	WCDMA	DRX=8	TBD	
	TDD LTE	DPC (Default Paging Cycle)=#256	TBD	
	FDD LTE	DPC (Default Paging Cycle)=#256	TBD	
	Radio Off	AT+CFUN=4 Flight Mode	TBD	
$I_{\text{GSM-RMS}}$	GSM voice RMS Current	EGSM900@ PCL=5	TBD	mA
		EGSM900@ PCL=19	TBD	
		DCS1800@ PCL=0	TBD	
		DCS1800@ PCL=15	TBD	
$I_{\text{GSM-MAX}}$	GSM voice Peak current	EGSM900@ PCL=5	TBD	mA
		DCS1800@ PCL=0	TBD	
$I_{\text{GPRS-RMS}}$	GPRS data RMS Current	EGSM900@ Gamma=3(1UL/4DL)	TBD	mA
		EGSM900@ Gamma=3(4UL/1DL)	TBD	
		DCS1800@ Gamma=3(1UL/4DL)	TBD	
		DCS1800@ Gamma=3(4UL/1DL)	TBD	
$I_{\text{EGPRS-RMS}}$	EGPRS data RMS Current	EGSM900@ Gamma=6(1UL/4DL)	TBD	mA
		EGSM900@ Gamma=6(4UL/1DL)	TBD	
		DCS1800@ Gamma=5(1UL/4DL)	TBD	
		DCS1800@ Gamma=5(4UL/1DL)	TBD	
$I_{\text{WCDMA-RMS}}$	WCDMA RMS Current	Band1 @ max power	TBD	mA
		Band8 @ max power	TBD	

Parameter	Description	Condition	Typical Result	Unit
I <sub>LTE-RMS</sub>	FDD data RMS Current	Band1 @ max power(10MHz,1RB)	TBD	mA
		Band3@ max power(10MHz,1RB)	TBD	
		Band5@ max power(10MHz,1RB)	TBD	
		Band8@ max power(10MHz,1RB)	TBD	
	TDD data RMS Current	Band34@ max power(10MHz,1RB)	TBD	
		Band38@ max power(10MHz,1RB)	TBD	
		Band39@ max power(10MHz,1RB)	TBD	
		Band40@ max power(10MHz,1RB)	TBD	
		Band41 @ max power(10MHz,1RB)	TBD	

Table 8-4 SU806D-EAU-CN-01/SU806D-EAU-CN-11 power consumption

Parameter	Description	Condition	Typical Result	Unit
I <sub>off</sub>	Static leakage current	Power supply, not power on	120	uA
	Software power off current	By AT command or select the power off menu in LCM selection box	230	
I <sub>sleep</sub>	GSM	MFRMS=5	3.2	mA
	WCDMA	DRX=8	3.2	
	TDD LTE	DPC (Default Paging Cycle)=#256	3.1	
	FDD LTE	DPC (Default Paging Cycle)=#256	3.1	
	Radio Off	AT+CFUN=4 Flight Mode	2.7	
I <sub>GSM-RMS</sub>	GSM voice RMS Current	EGSM900@ PCL=5	256	mA
		EGSM900@ PCL=19	90	
		DCS1800@ PCL=0	196	
		DCS1800@ PCL=15	89	
I <sub>GSM-MAX</sub>	GSM voice	EGSM900@ PCL=5	2200	mA

Reproduction forbidden without Fibocom Wireless Inc. written authorization - All Rights Reserved.

Parameter	Description	Condition	Typical Result	Unit
	Peak current	DCS1800@ PCL=0	1300	
I <sub>GPRS-RMS</sub>	GPRS data RMS Current	EGSM900@ Gamma=3 (1UL/4DL)	223	mA
		EGSM900@ Gamma=3 (4UL/1DL)	494	
		DCS1800@ Gamma=3 (1UL/4DL)	179	
		DCS1800@ Gamma=3 (4UL/1DL)	339	
I <sub>EGPRS-RMS</sub>	EGPRS data RMS Current	EGSM900@ Gamma=6 (1UL/4DL)	169	mA
		EGSM900@ Gamma=6 (4UL/1DL)	498	
		DCS1800@ Gamma=5 (1UL/4DL)	161	
		DCS1800@ Gamma=5 (4UL/1DL)	468	
I <sub>WCDMA-RMS</sub>	WCDMA RMS Current	Band1 @ max power	589	mA
		Band8 @ max power	598	
I <sub>LTE-RMS</sub>	FDD data RMS Current	Band1 @ max power (10MHz,1RB)	595	mA
		Band3 @ max power (10MHz,1RB)	625	
		Band5 @ max power (10MHz,1RB)	580	
		Band8 @ max power (10MHz,1RB)	618	
	TDD data RMS Current	Band34 @ max power (10MHz,1RB)	336	
		Band38 @ max power (10MHz,1RB)	346	
		Band39 @ max power (10MHz,1RB)	342	
		Band40 @ max power (10MHz,1RB)	352	
		Band41 @ max power (10MHz,1RB)	354	

Table 8-5 SU806D-EAU-CN-10 Power consumption

Parameter	Description	Condition	Typical Result	Unit
I <sub>off</sub>	Static leakage current	Power supply, not power on	120	uA
	Software power off current	By AT command or select the power off menu in LCM selection box	230	

Parameter	Description	Condition	Typical Result	Unit
I <sub>sleep</sub>	GSM	MFRMS=5	3.1	mA
	WCDMA	DRX=8	3.15	
	TDD LTE	DPC (Default Paging Cycle)=#256	2.8	
	FDD LTE	DPC (Default Paging Cycle)=#256	2.8	
	Radio Off	AT+CFUN=4 Flight Mode	2.5	
I <sub>GSM-RMS</sub>	GSM voice RMS Current	EGSM900@ PCL=5	256	mA
		EGSM900@ PCL=19	90	
		DCS1800@ PCL=0	196	
		DCS1800@ PCL=15	89	
I <sub>GSM-MAX</sub>	GSM voice Peak current	EGSM900@ PCL=5	2100	mA
		DCS1800@ PCL=0	1300	
I <sub>GPRS-RMS</sub>	GPRS data RMS Current	EGSM900@ Gamma=3 (1UL/4DL)	240	mA
		EGSM900@ Gamma=3 (4UL/1DL)	522	
		DCS1800@ Gamma=3 (1UL/4DL)	179	
		DCS1800@ Gamma=3 (4UL/1DL)	339	
I <sub>EGPRS-RMS</sub>	EGPRS data RMS Current	EGSM900@ Gamma=6 (1UL/4DL)	169	mA
		EGSM900@ Gamma=6 (4UL/1DL)	498	
		DCS1800@ Gamma=5 (1UL/4DL)	161	
		DCS1800@ Gamma=5 (4UL/1DL)	468	
I <sub>WCDMA-RMS</sub>	WCDMA RMS Current	Band1 @ max power	589	mA
		Band8 @ max power	598	
I <sub>LTE-RMS</sub>	FDD data	Band1 @ max power (10MHz,1RB)	595	mA

Parameter	Description	Condition	Typical Result	Unit
	RMS Current	Band3@ max power (10MHz,1RB)	625	
		Band5@ max power (10MHz,1RB)	580	
		Band8@ max power (10MHz,1RB)	618	
	TDD data RMS Current	Band34@ max power (10MHz,1RB)	336	
		Band38@ max power (10MHz,1RB)	326	
		Band39@ max power (10MHz,1RB)	322	
		Band40@ max power (10MHz,1RB)	342	
		Band41@ max power (10MHz,1RB)	354	

Table 8-6 Power consumption of SU806D-EAU-EAU-00

Parameter	Description	Condition	Typical Result	Unit
$I_{off}$	Static leakage current	Power supply, not power on	TBD	uA
	Software power off current	By AT command or select the power off menu in LCM selection box	TBD	
$I_{sleep}$	GSM	MFRMS=5	TBD	mA
	WCDMA	DRX=8	TBD	
	TDD LTE	DPC (Default Paging Cycle)=#256	TBD	
	FDD LTE	DPC (Default Paging Cycle)=#256	TBD	
	Radio Off	AT+CFUN=4 Flight Mode	TBD	
$I_{GSM-RMS}$	GSM voice RMS Current	GSM850@ PCL=5	TBD	mA
		GSM850@ PCL=19	TBD	
		EGSM900@ PCL=5	TBD	
		EGSM900@ PCL=19	TBD	



Parameter	Description	Condition	Typical Result	Unit
		DCS1800@ PCL=0	TBD	
		DCS1800@ PCL=15	TBD	
		PCS1900@ PCL=0	TBD	
		PCS1900@ PCL=15	TBD	
I <sub>GSM-MAX</sub>	GSM voice Peak current	GSM850@ PCL=5	TBD	mA
		EGSM900@ PCL=5	TBD	
		DCS1800@ PCL=0	TBD	
		PCS1900@ PCL=0	TBD	
I <sub>GPRS-RMS</sub>	GPRS data RMS current	GSM850@ Gamma=3 (1UL/4DL)	TBD	mA
		GSM850@ Gamma=3 (4UL/1DL)	TBD	
		EGSM900@ Gamma=3 (1UL/4DL)	TBD	
		EGSM900@ Gamma=3 (4UL/1DL)	TBD	
		DCS1800@ Gamma=3 (1UL/4DL)	TBD	
		DCS1800@ Gamma=3 (4UL/1DL)	TBD	
		PCS1900@ Gamma=3 (1UL/4DL)	TBD	
		PCS1900@ Gamma=3 (4UL/1DL)	TBD	
I <sub>EGPRS-RMS</sub>	EGPRS data RMS current	GSM850@ Gamma=6 (1UL/4DL)	TBD	mA
		GSM850@ Gamma=6 (4UL/1DL)	TBD	
		EGSM900@ Gamma=6 (1UL/4DL)	TBD	
		EGSM900@ Gamma=6 (4UL/1DL)	TBD	
		DCS1800@ Gamma=5 (1UL/4DL)	TBD	
		DCS1800@ Gamma=5 (4UL/1DL)	TBD	

Parameter	Description	Condition	Typical Result	Unit
		PCS1900@ Gamma=5 (1UL/4DL)	TBD	
		PCS1900@ Gamma=5 (4UL/1DL)	TBD	
I <sub>WCDMA-RMS</sub>	WCDMA RMS current	Band1 @ max power	TBD	mA
		Band2 @ max power	TBD	
		Band5 @ max power	TBD	
		Band8 @ max power	TBD	
I <sub>LTE-RMS</sub>	FDD data RMS current	Band1 @ max power (10MHz,1RB)	TBD	mA
		Band3 @ max power (10MHz,1RB)	TBD	
		Band5 @ max power (10MHz,1RB)	TBD	
		Band7 @ max power (10MHz,1RB)	TBD	
		Band8 @ max power (10MHz,1RB)	TBD	
		Band20 @ max power (10MHz,1RB)	TBD	
		Band28 @ max power (10MHz,1RB)	TBD	
	TDD data RMS current	Band38 @ max power (10MHz,1RB)	TBD	
		Band40 @ max power (10MHz,1RB)	TBD	
		Band41 @ max power (10MHz,1RB)	TBD	

Table 8-8 RF Transmit power of SU806D-EAU-EAU

Mode	Band	Max Power (dBm)	Min Power (dBm)
GSM	850 (GMSK)	32.5±2	5±5
	900 (GMSK)	32.5±2	5±5
	1800 (GMSK)	29.5±2	0±5
	1900 (GMSK)	29.5±2	0±5
WCDMA	Band 1	23.5±1	< -49
	Band 2	23.5±1	< -49
	Band 5	223.5±1	< -49
	Band 8	23.5±1	< -49
LTE FDD	Band 1	23.0±1	< -39
	Band 2	23.0±1	< -39
	Band 3	23.0±1	< -39
	Band 4	23.0±1	< -39
	Band 5	23.0±1	< -39
	Band 7	23.0±1	< -39
	Band 8	23.0±1	< -39
	Band 20	23.0±1	< -39
LTE TDD	Band 38	23.0±1	< -39
	Band 40	23.0±1	< -39
	Band 41	23.0±1	< -39
Bluetooth		≤20	
2.4G WLAN		≤20	
5G WLAN		≤20	

## 8.4 Electrostatic Protection

In the application of the module, due to static electricity generated by human body and charged friction between micro-electronics, etc. discharging to the module through various channels that may cause damage, so ESD protection should be taken seriously attention. In the process of R&D, production assembly and testing, especially in product design, ESD protection measures should be taken. For example, anti-static protection should be added at the designed circuit interface and the points susceptible to electrostatic discharge or impact. Anti-static gloves should be worn during production.

ESD performance parameters are shown in the following table (Temperature: 25°C, Humidity: 45%)

Table 8-13 ESD performance

Test Point	Contact Discharge	Air Discharge	Unit
VBAT, GND	±5	±10	KV
Antenna interface	±4	±8	KV
Other interface	±0.5	±1	KV

# Appendix A Terms and Acronyms

Table A-0-1 Terms and acronyms

Term	Definition
AMR	Adaptive Multi-rate
bps	Bits Per Second
CS	Coding Scheme
DRX	Discontinuous Reception
EGSM	Extended GSM900 Band
FDD	Frequency Division Duplexing
GMSK	Gaussian Minimum Shift Keying
GSM	Global System for Mobile Communications
HSDPA	High Speed Down Link Packet Access
IMEI	International Mobile Equipment Identity
I <sub>max</sub>	Maximum Load Current
LED	Light Emitting Diode
LSB	Least Significant Bit
LTE	Long Term Evolution
CA	Carrier Aggregation
DLCA	Downlink Carrier Aggregation
SCell	Secondary Cell for CA
ME	Mobile Equipment
MS	Mobile Station
MT	Mobile Terminated

Term	Definition
PCB	Printed Circuit Board
PDU	Protocol Data Unit
PSK	Phase Shift Keying
QAM	Quadrature Amplitude Modulation
QPSK	Quadrature Phase Shift Keying
RF	Radio Frequency
RHCP	Right Hand Circularly PolarizedRMS
RMS	Root Mean Square
RTC	Real Time Clock
Rx	Receive
SMS	Short Message Service
TDMA	Time Division Multiple Access
TE	Terminal Equipment
TX	Transmitting Direction
TDD	Time Division Duplexing
UART	Universal Asynchronous Receiver & Transmitter
UMTS	Universal Mobile Telecommunications System
URC	Unsolicited Result Code
(U)SIM	(Universal) Subscriber Identity Module
USSD	Unstructured Supplementary Service Data
Vmax	Maximum Voltage Value
Vnorm	Normal Voltage Value
Vmin	Minimum Voltage Value

Term	Definition
VIHmax	Maximum Input High Level Voltage Value
VIHmin	Minimum Input High Level Voltage Value
VILmax	Maximum Input Low Level Voltage Value
VILmin	Minimum Input Low Level Voltage Value
VImax	Absolute Maximum Input Voltage Value
VImin	Absolute Minimum Input Voltage Value
VOHmax	Maximum Output High Level Voltage Value
VOHmin	Minimum Output High Level Voltage Value
VOLmax	Maximum Output Low Level Voltage Value
VOLmin	Minimum Output Low Level Voltage Value
VSWR	Voltage Standing Wave Ratio
WCDMA	Wideband Code Division Multiple Access

## Appendix B GPRS Encoding Scheme

Table B-0-1 GPRS encoding scheme

Encoding method	CS-1	CS-2	CS-3	CS-4
Rate	1/2	2/3	3/4	1
USF	3	3	3	3
Pre-coded USF	3	6	6	12
Radio Block excl.USF and BCS	181	268	312	428
BCS	40	16	16	16
Tail	4	4	4	-
Coded Bits	456	588	676	456
Punctured Bits	0	132	220	-
Data Rate Kb/s	9.05	13.4	15.6	21.4



## Appendix C GPRS Multislot

In the GPRS standard, 29 types of GPRS multislot modes are defined and can be used by mobile stations. The multislot class defines the maximum rate of uplink and downlink. The expression is 3+1 or 2+2, the first number represents the number of downlink timeslots and the second number represents the number of uplink timeslots. Active timeslot represents the total number of timeslots that the GPRS device can use for both uplink and downlink communications.

Table C-0-1 Multilevel multislot allocation

Multislot Class	Downlink Slot	Uplink Slot	Active Slot
1	1	1	2
2	2	1	3
3	2	2	3
4	3	1	4
5	2	2	4
6	3	2	4
7	3	3	4
8	4	1	5
9	3	2	5
10	4	2	5
11	4	3	5
12	4	4	5

# Appendix D EDGE Modulation and Encoding Method

Table D-0-1 EDGE modulation and encoding method

Coding Scheme	Modulation	Coding Family	1 Timeslot	2 Timeslot	4 Timeslot
CS-1	GMSK	-	9.05kbps	18.1kbps	36.2kbps
CS-2	GMSK	-	13.4kbps	26.8kbps	53.6kbps
CS-3	GMSK	-	15.6kbps	31.2kbps	62.4kbps
CS-4	GMSK	-	21.4kbps	42.8kbps	85.6kbps
MCS-1	GMSK	C	8.80kbps	17.6kbps	35.2kbps
MCS-2	GMSK	B	11.2kbps	22.4kbps	44.8kbps
MCS-3	GMSK	A	14.8kbps	29.6kbps	59.2kbps
MCS-4	GMSK	C	17.6kbps	35.2kbps	70.4kbps
MCS-5	8-PSK	B	22.4kbps	44.8kbps	89.6kbps
MCS-6	8-PSK	A	29.6kbps	59.2kbps	118.4kbps
MCS-7	8-PSK	B	44.8kbps	89.6kbps	179.2kbps
MCS-8	8-PSK	A	54.4kbps	108.8kbps	217.6kbps
MCS-9	8-PSK	A	59.2kbps	118.4kbps	236.8kbps



## CE Conformance information

The device could be used with a separation distance of 20cm to the human body.

Hereby, [Fibocom Wireless Inc.] declares that the radio equipment type [SU806D-EAU] is in compliance with Directive 2014/53/EU.

# FCC Warning

## Important Notice to OEM integrators

1. This module is limited to OEM installation ONLY.
2. This module is limited to installation in mobile or fixed applications, according to Part 2.1091(b).
3. The separate approval is required for all other operating configurations, including portable configurations with respect to Part 2.1093 and different antenna configurations
4. For FCC Part 15.31 (h) and (k): The host manufacturer is responsible for additional testing to verify compliance as a composite system. When testing the host device for compliance with Part 15 Subpart B, the host manufacturer is required to show compliance with Part 15 Subpart B while the transmitter module(s) are installed and operating. The modules should be transmitting and the evaluation should confirm that the module's intentional emissions are compliant (i.e. fundamental and out of band emissions). The host manufacturer must verify that there are no additional unintentional emissions other than what is permitted in Part 15 Subpart B or emissions are complaint with the transmitter(s) rule(s). The Grantee will provide guidance to the host manufacturer for Part 15 B requirements if needed.

## Important Note

notice that any deviation(s) from the defined parameters of the antenna trace, as described by the instructions, require that the host product manufacturer must notify to Fibocom wires Inc. that they wish to change the antenna trace design. In this case, a Class II permissive change application is required to be filed by the USI, or the host manufacturer can take responsibility through the change in FCC ID (new application) procedure followed by a Class II permissive change application.

## End Product Labeling

When the module is installed in the host device, the FCC ID label must be visible through a window on the final device or it must be visible when an access panel, door or cover is easily re-moved. If not, a second label must be placed on the outside of the final device that contains the following text: "Contains FCC ID: ZMOSU806DEAU"

The FCC ID can be used only when all FCC compliance requirements are met.

## Antenna Installation

- (1) The antenna must be installed such that 20 cm is maintained between the antenna and users,
- (2) The transmitter module may not be co-located with any other transmitter or antenna.
- (3) Only antennas of the same type and with equal or less gains as shown below may be used with this



module. Other types of antennas and/or higher gain antennas may require additional authorization for operation.

In the event that these conditions cannot be met (for example certain laptop configurations or co-location with another transmitter), then the FCC authorization is no longer considered valid and the FCC ID/IC ID cannot be used on the final product. In these circumstances, the OEM integrator will be responsible for re-evaluating the end product (including the transmitter) and obtaining a separate FCC/IC authorization.

## **Manual Information to the End User**

The OEM integrator has to be aware not to provide information to the end user regarding how to install or remove this RF module in the user's manual of the end product which integrates this module. The end user manual shall include all required regulatory information/warning as show in this manual.

## **Federal Communication Commission Interference Statement**

This device complies with Part 15 of the FCC Rules. Operation is subject to the following two conditions:

(1) This device may not cause harmful interference, and (2) this device must accept any interference received, including interference that may cause undesired operation.

This equipment has been tested and found to comply with the limits for a Class B digital device, pursuant to Part 15 of the FCC Rules. These limits are designed to provide reasonable protection against harmful interference in a residential installation. This equipment generates, uses and can radiate radio frequency energy and, if not installed and used in accordance with the instructions, may cause harmful interference to radio communications. However, there is no guarantee that interference will not occur in a particular installation. If this equipment does cause harmful interference to radio or television reception, which can be determined by turning the equipment off and on, the user is encouraged to try to correct the interference by one of the following measures:

- Reorient or relocate the receiving antenna.
- Increase the separation between the equipment and receiver.
- Connect the equipment into an outlet on a circuit different from that to which the receiver is connected.
- Consult the dealer or an experienced radio/TV technician for help.

Any changes or modifications not expressly approved by the party responsible for compliance could void the user's authority to operate this equipment. This transmitter must not be co-located or operating in conjunction with any other antenna or transmitter.



## List of applicable FCC rules

This module has been tested and found to comply with part 22, part 24, part 27, part 90, 15.247 and 15.407 requirements for Modular Approval.

The modular transmitter is only FCC authorized for the specific rule parts (i.e., FCC transmitter rules) listed on the grant, and that the host product manufacturer is responsible for compliance to any other FCC rules that apply to the host not covered by the modular transmitter grant of certification. If the grantee markets their product as being Part 15 Subpart B compliant (when it also contains unintentional-radiator digital circuitry), then the grantee shall provide a notice stating that the final host product still requires Part 15 Subpart B compliance testing with the modular transmitter installed.

## This device is intended only for OEM integrators under the following conditions: (For module device use)

- 1) The antenna must be installed such that 20 cm is maintained between the antenna and users, and
- 2) The transmitter module may not be co-located with any other transmitter or antenna.

As long as 2 conditions above are met, further transmitter test will not be required. However, the OEM integrator is still responsible for testing their end-product for any additional compliance requirements required with this module installed.

## Radiation Exposure Statement

This equipment complies with FCC radiation exposure limits set forth for an uncontrolled environment. This equipment should be installed and operated with minimum distance **20** cm between the radiator & your body.