



# FCC Part 96.47 TEST REPORT

**FCC ID** : ZLE-RG540  
**Equipment** : Smartphone  
**Brand Name** : RugGear  
**Model Name** : PSH02G  
**Marketing Name** : RG540  
**Applicant** : Power Idea Technology (Shenzhen) Co., Ltd.  
4th Floor, A Section, Languang Science&technology Building, No.7 Xinxi RD, Hi-Tech Industrial Park North, Nanshan District, ShenZhen, P.R.C.  
**Manufacturer** : Power Idea Technology (Shenzhen) Co., Ltd.  
4th Floor, A Section, Languang Science&technology Building, No.7 Xinxi RD, Hi-Tech Industrial Park North, Nanshan District, ShenZhen, P.R.C.  
**Standard** : FCC Part 96.47  
**RF Interface** : NR n48

The product was received on Dec. 15, 2022, and testing was performed from Dec. 20, 2022 to Dec. 20, 2022. We, Sporton International Inc. Wensan Laboratory, would like to declare that the tested sample has been evaluated in accordance with the test procedures and has been in compliance with the applicable technical standards.

The test results in this variant report apply exclusively to the tested model / sample. Without written approval of Sporton International Inc. Wensan Laboratory, the test report shall not be reproduced except in full.

Approved by: Jones Tsai

**Sporton International Inc. Wensan Laboratory**

No.58, Aly. 75, Ln. 564, Wenhua 3rd, Rd., Guishan Dist., Taoyuan City 333010, Taiwan (R.O.C)



## Table of Contents

**History of this test report..... 3**

**Summary of Test Result..... 4**

**1 General Description ..... 5**

    1.1 Product Feature of Equipment Under Test..... 5

    1.2 Modification of EUT ..... 5

    1.3 Testing Laboratory..... 5

    1.4 Applicable Standards..... 5

**2 Test Configuration of Equipment Under Test ..... 6**

    2.1 Connection Diagram of Test System..... 6

**3 End User Device additional requirement ..... 7**

    3.1 Test Requirement ..... 7

    3.2 Test Procedure ..... 7

    3.3 Test Result..... 8

**4 List of Measuring Equipment..... 10**

**Appendix A. Setup Photographs**





### Summary of Test Result

Report Clause	Ref Std. Clause	Test Items	Result (PASS/FAIL)	Remark
3	96.47	End User Device additional requirement	Pass	-

**Note:** This is a variant report by changing FCC ID, brand name, model name, marketing name , manufacturer and application information. After assessing, since the test result is not affected by the changes, The FG2D0841-01B report reuses test data from the FG2D0841B report.

**Declaration of Conformity:**

The test results (PASS/FAIL) with all measurement uncertainty excluded are presented in accordance with the regulation limits or requirements declared by manufacturers. It's means measurement values may risk exceeding the limit of regulation standards, if measurement uncertainty is include in test results.

**Comments and Explanations:**

The product specifications of the EUT presented in the report are declared by the manufacturer who shall take full responsibility for the authenticity.

**Reviewed by: Thomas Chen**

**Report Producer: Doris Chen**



# 1 General Description

## 1.1 Product Feature of Equipment Under Test

GSM/WCDMA/LTE/5G NR, Bluetooth, Wi-Fi 2.4GHz 802.11b/g/n/ac/ax, Wi-Fi 5GHz 802.11a/n/ac/ax, NFC, and GNSS.

Product Feature	
<b>Antenna Type</b>	WWAN: PIFA Antenna WLAN: PIFA Antenna Bluetooth: PIFA Antenna GPS/Glonass/BDS/Galileo: PIFA Antenna NFC: FPC Antenna

**Remark:** The above EUT's information was declared by manufacturer. Please refer to Comments and Explanations in report summary.

## 1.2 Modification of EUT

No modifications are made to the EUT during all test items.

## 1.3 Testing Laboratory

<b>Test Site</b>	Sporton International Inc. Wensan Laboratory
<b>Test Site Location</b>	No.58, Aly. 75, Ln. 564, Wenhua 3rd, Rd., Guishan Dist., Taoyuan City 333010, Taiwan (R.O.C.) TEL: +886-3-327-0868 FAX: +886-3-327-0855
<b>Test Site No.</b>	<b>Sporton Site No.</b>
	TH05-HY
<b>Test Engineer</b>	Thomas Chen
<b>Temperature</b>	22 ~ 25 °C
<b>Relative Humidity</b>	41 ~ 45 %

FCC designation No.: TW3786

## 1.4 Applicable Standards

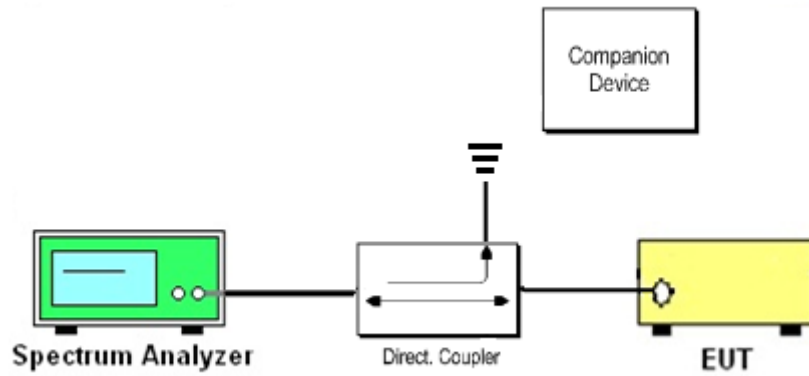
- ♦ FCC Part 96.47
- ♦ FCC KDB 940660 D01 Part 96 CBRS Eqpt v03
- ♦ WINNF-TS-0122-V1.0.2 CBRS CBSD Test Specification

**Remark:**

1. All test items were verified and recorded according to the standards and without any deviation during the test.
2. The TAF code is not including all the FCC KDB listed without accreditation.

## 2 Test Configuration of Equipment Under Test

### 2.1 Connection Diagram of Test System



The companion device is certified NR CBSD (FCC ID: PIDAS2900)



### 3 End User Device additional requirement

#### 3.1 Test Requirement

FCC Part 96.47

(a) End User Devices may operate only if they can positively receive and decode an authorization signal transmitted by a CBSD, including the frequencies and power limits for their operation.

(1) An End User Device must discontinue operations, change frequencies, or change its operational power level within 10 seconds of receiving instructions from its associated CBSD.

#### 3.2 Test Procedure

Following procedure can be done by applying WINNF-TS-0122-V1.0.2 CBRS CBSD Test Specification, use the certified Airspan NR CBSD (FCC ID: PIDAS2900) as companion device to show compliance with Part 96.47 requirement for End User Device (EUD):

1. Configure SAS granted CBSD to operate at frequency 3600-3620 MHz and power level 10 dBm/MHz
2. Enable CBSD service from Airspan ACP management
3. Check EUD Tx Frequency and power
4. Disable CBSD service from Airspan ACP management
  - a. Check EUD stops transmission within 10 seconds.
  
5. Configure SAS granted CBSD to operate at frequency 3670-3690 MHz and power level 20 dBm/MHz
6. Enable CBSD service from Airspan ACP management
7. Check EUD Tx Frequency and power
8. Disable CBSD service from Airspan ACP management
  - a. Check EUD stops transmission within 10 seconds.

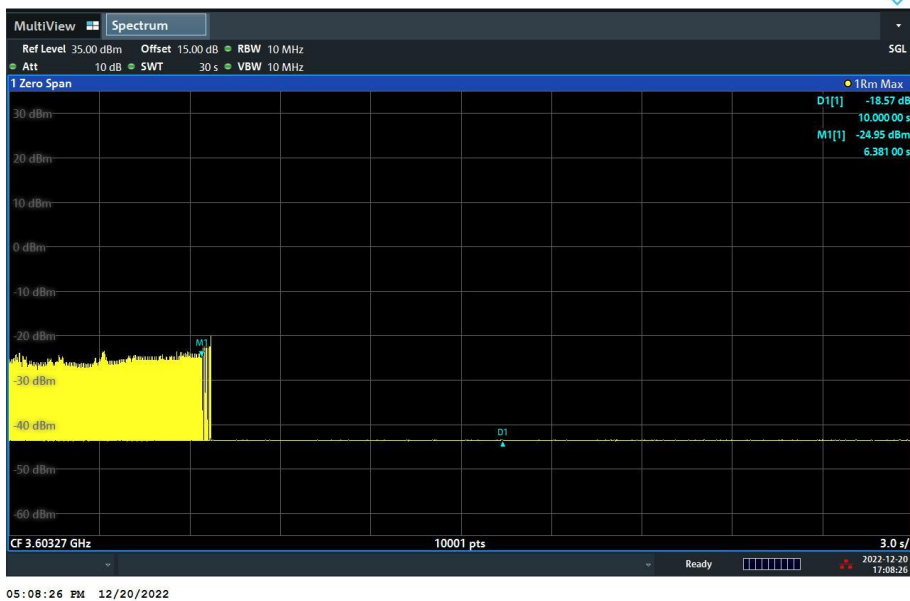
### 3.3 Test Result

[Step 1] Configure SAS granted CBSD to operate at frequency 3600-3620 MHz and power level 10 dBm/MHz

[Step 3] Check EUD Tx Frequency and power



[Step 4.a.] EUD stops transmission within 10 seconds of receiving instructions from its associated CBSD.





[Step 5] Configure SAS granted CBSD to operate at frequency 3670-3690 MHz & power level 20 dBm/MHz

[Step 7] Check EUD Tx Frequency and power



04:45:12 PM 12/20/2022

[Step 8.a.] After changing the frequency and power level,

The module (EUT) discontinues operations, change frequencies, or change its operational power level within 10 seconds of receiving instructions from its associated CBSD. Test result is PASS.



04:47:33 PM 12/20/2022



## 4 List of Measuring Equipment

Instrument	Brand Name	Model No.	Serial No.	Characteristics	Calibration Date	Test Date	Due Date	Remark
Spectrum Analyzer	R&S	FSV3044	101434	10Hz~44GHz	Oct. 28, 2022	Dec. 20, 2022	Oct. 27, 2023	Conducted (TH05-HY)

————THE END————