

# RugGear®

## RG360



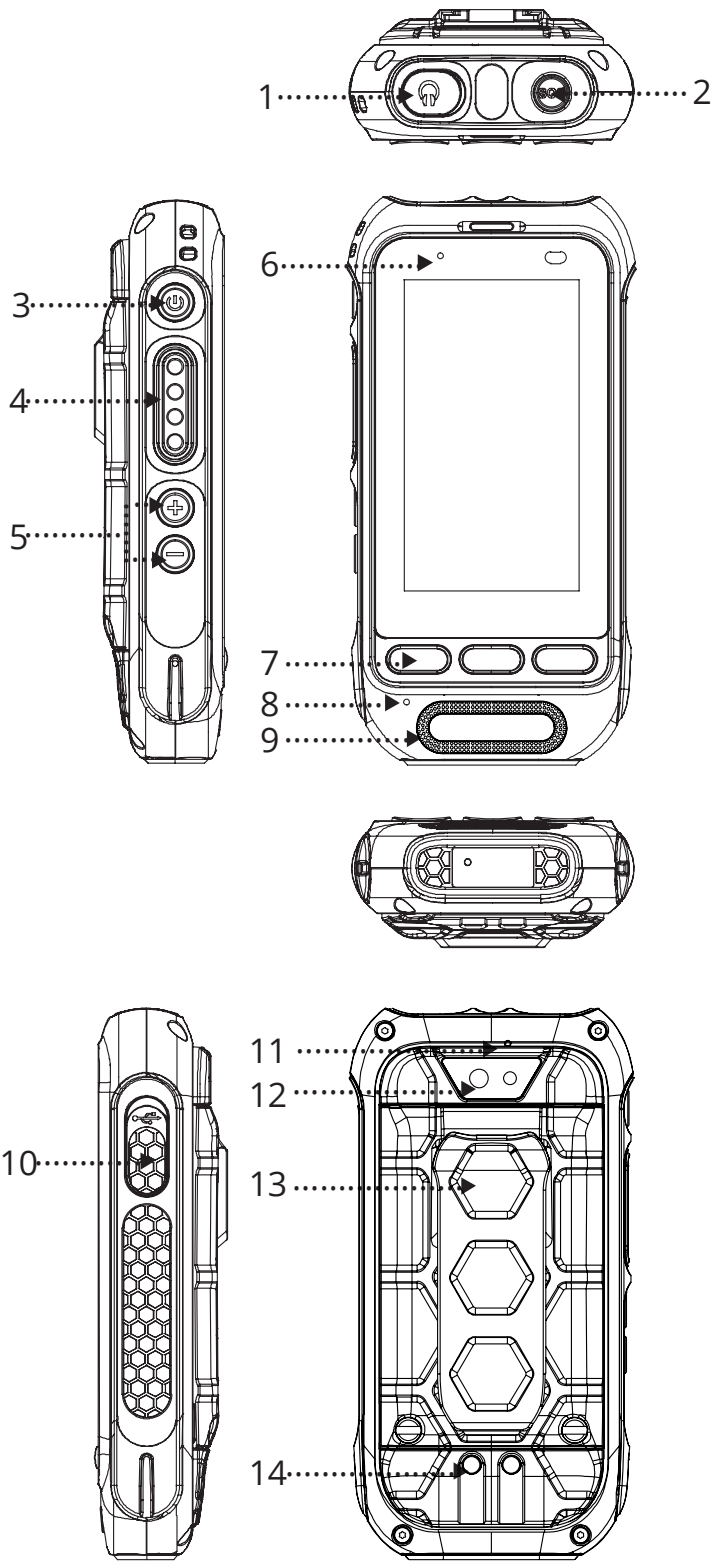
## Short guide

Model : PSL05S

## CONTENTS

ENGLISH -----	4
FRANÇAIS -----	12
ITALIANO -----	21
PORTUGUÊS -----	29
DEUTSCH -----	37
ESPAÑOL -----	45
РУССКИЙ-----	53
العربية -----	62

(c) 2020 RugGear  
Version: 2020-10-29  
Power Idea Technology (Shenzhen) Co., Ltd.  
4th Floor, A Section, Languang Science&technology  
Building, No.7 Xinxu RD, Hi-Tech Industrial Park North,  
Nanshan District, ShenZhen, P.R.C



## ENGLISH

### 1. KEYS AND FEATURES (SEE ILLUSTRATION ON PAGE 2)

**1\_3.5mm audio jack:** Connect to the 3.5mm headphone or the 3.5mm wired hand microphone

**2\_SOS key:** Long pressing it for 3 sec to trigger SOS function and it will automatically select an emergency number stored by you. This function can only be used together with an optionally available LWP app.

**3\_Power button:** Long press to power ON or OFF the device. Short press to turn ON or OFF the display

**4\_PTT/customized button :** Custom sidekey, please refer to part 8.1

**5\_Volume buttons:** Volume up/Volume down.

**6\_LED indicator:** indicates charging and notification.

**7\_Android 3 key:** Home key/Recent application/Return key

**8\_Main Mic:** used for calling, PTT talking or recording

**9\_Loudspeaker**

**10\_USB interface:** Type-C interface for mobile phone charging and data transfer.

**11\_Sub-Mic:** noise reduction and used for hands-free calls

**12\_Rear camera**

**13\_Waist clip**

**14\_Pogo desk charger**

### 2. INTRODUCTION

This document contains information and safety regulations that must be observed for the safe operation of device RG360 under the described conditions. Non-observance of information and instructions can have serious consequences and may violate regulations. Please read the manual and these safety instructions before using the device. In the case of any doubt, the English version takes precedent. The current EU declaration of conformity, certificates, safety instructions and manuals can be found at [www.RugGear.com](http://www.RugGear.com) or can be requested from **Power Idea Technology (Shenzhen) Co., Ltd.**

### 3. RESERVATION

The content of this document is presented as it currently exists. **Power Idea Technology (Shenzhen) Co., Ltd.** does not provide any explicit or tacit guarantee for the accuracy or completeness of the content of this document, including, but not restricted to, the tacit guarantee of market suitability or fitness for a specific purpose unless applicable laws or court decisions make liability mandatory.

**Power Idea Technology (Shenzhen) Co., Ltd.** reserves

the right to make changes to this document or to withdraw it any time without prior notice. Changes, errors and misprints may not be used as a basis for any claim for damages. All rights reserved.

**Power Idea Technology (Shenzhen) Co., Ltd.** cannot be held responsible for any data or other loss and direct or indirect damages caused by any improper use of this device.

#### 4. EU DECLARATION OF CONFORMITY

The EU declaration of conformity can be found at the end of this manual.



#### 5. SAFETY ADVICE

Do not touch the screen of the device with sharp objects. Dust particles and fingernails can scratch the screen. Keep the screen clean. Gently remove dust from the screen with a soft cloth and do not scratch the screen.

Do not leave the device in environments with excessive temperatures, as this could lead to the battery overheating, resulting in fire or explosion.

Do not charge the device near any flammable or explosive substances.

Only charge the device in dry indoor conditions.

Do not charge the device in dusty or humid environments.

Do not use the device in any areas where use is prohibited by regulations or legislation.

Do not expose the device or charger to strong magnetic fields, such as those emitted from induction ovens or microwaves.

Do not attempt to open or repair the device.

Incorrect repair or opening can lead to the destruction of the device, fire or explosion.

Only authorized personnel are permitted to repair the device.

Only use accessories approved by **Power Idea Technology (Shenzhen) Co., Ltd.**

Power off the device in hospitals or other places where the use of mobile phones is prohibited

This device may adversely affect medical equipment, such as pacemakers.

Always keep a distance of at least 15 cm between the device and such equipment.

Make sure the volume level is not set at an excessive level when connecting earphones and headphones to protect your hearing.

Observe all corresponding laws that are in force in the respective countries regarding the use of devices while operating a vehicle.



Power off the device and disconnect the charging cable before cleaning the device.

Do not use any chemical cleaning agents to clean the device or the charger.

Use a damp and anti-static soft cloth for cleaning.

The adapter must be installed near the equipment and be easily accessible.

The device must only be connected to a USB interface, version USB2.0.

Do not discard old and abandoned lithium batteries into household waste, take them to a designated waste disposal point.

The user is solely liable for any and all damages and liabilities caused by malware downloaded when using the network or other data-exchange functions of the device.

**Power Idea Technology (Shenzhen) Co., Ltd.** cannot be held responsible for any such claims.

### **Warning**

**Power Idea Technology (Shenzhen) Co., Ltd.** will not assume any liability for damage caused by disregarding any of this advice or by any inappropriate use of the device.

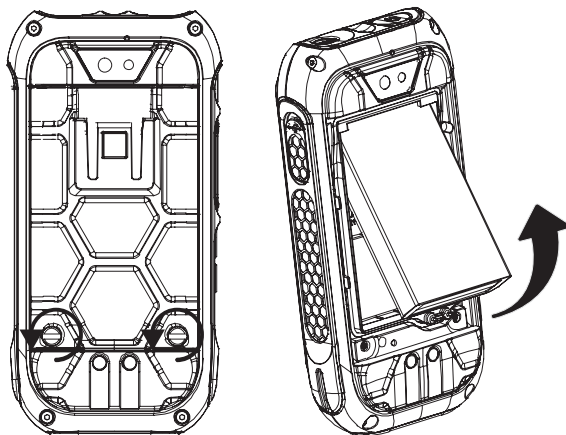
## **6. BATTERY**

There is a risk of explosion if the battery is replaced by an incorrect type. Dispose the used batteries according to the instructions.

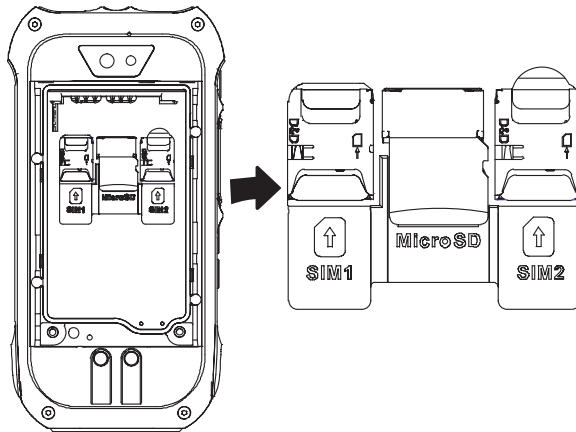
## **7. PREPARATION**

### **7.1 Inserting the battery/ the Micro SIM card and Micro SD card**

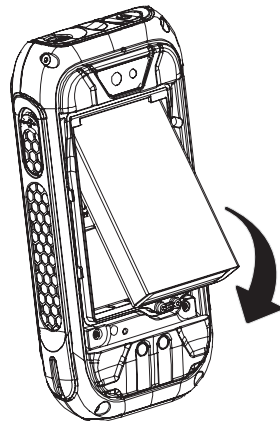
7.1.1 Rotate the battery assembly screw with a screwdriver as shown in the picture then remove the battery.



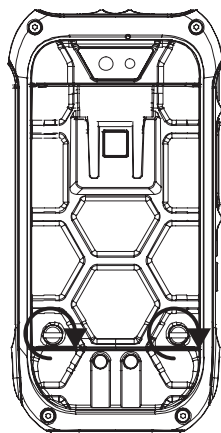
7.1.2 Insert the nano SIM card and Micro SD card as shown in the picture.



7.1.3 After the cards are inserted, press the battery into the battery compartment.



7.1.4 Close the battery cover and rotate the battery cover screw clockwise.

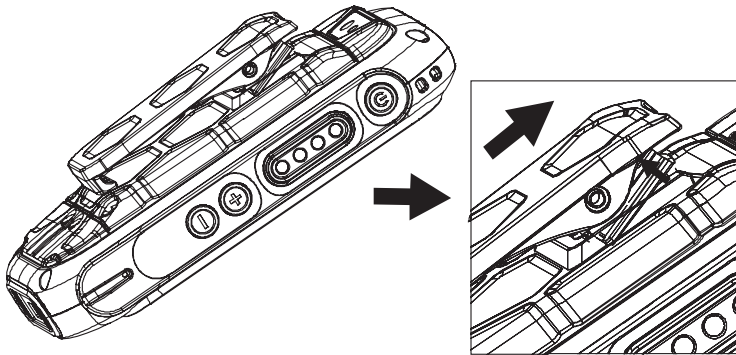


**Note:**

**Make sure that the rubber cover on the earphone and USB connector of the device are fully sealed to ensure complete waterproofing and dustproofing. No special declaration will be made in the future.**

**7.2. Attaching and removing the waist clip**

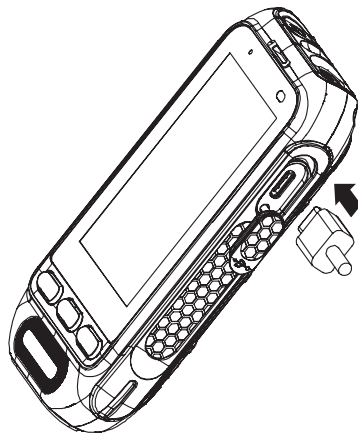
Attaching and removing the waist clip



**7.3 CHARGING**

The RG360 supports 5V/1A charging, Only use valid RugGear licensed chargers and cables because unlicensed products may cause the battery to explode or damage the device.

The device must only be charged in an ambient temperature range of +0°C to +45°C. The normal operating temperature of this mobile phone is -10°C to 50°C.



**8. Function introduction**

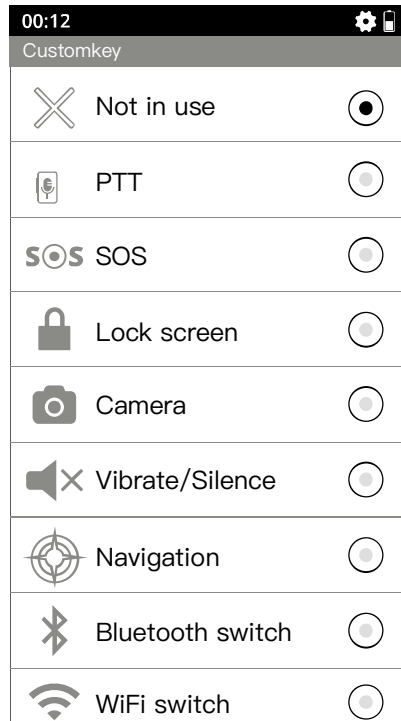
**8.1 PTT/Customized button**

The PTT button also acts as the customize function keys, so you can choose and modify the features that you want



to. When using it for the first time, it must be set in your APP (CustomKey), as below

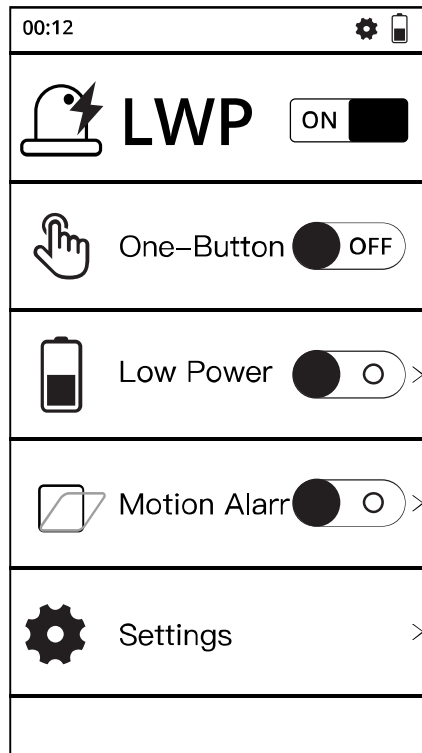
EN



## 8.2 Lone Worker Protection (LWP)

The LWP is to protect workers from the risks associated with working alone via phone calls or SMSs.

1. Default password: 1122.
2. After opening the application for the first time, a default phone number is required to be set for the alarm.
3. If the mobile phone uses two SIM cards, a default phone number is required to be set for calling/SMS.



## 9. RECYCLING

The crossed-out wheelee-bin symbol on the product, battery, literature, or packaging is a reminder that all electrical and electronic products, batteries, and accumulators must be taken to separate collection points at the end of their working life. This requirement applies in the European Union. Do not dispose of these products as unsorted municipal waste. Always return used electronic products, batteries, and packaging materials to dedicated collection points. This helps prevent uncontrolled waste disposal and promotes the recycling of materials. More detailed information is available from the product retailer, local waste authorities, national producer responsibility organisations, or your local RugGear Ltd. representative.



## 10. INFORMATION concerning CE SAR certification (Specific Absorbation Rate)

The SAR limit of Europe is xxx W/kg. The device has been tested against this SAR limit. The highest SAR value reported under this standard during product certification for use at the ear is xxx W/kg and when correctly worn on the body is xxx W/kg. This device was tested for typical body-worn operations with the back of the handset kept 5mm from the body. The device complies with RF

specifications when used at 5mm from the body. Belt clips, holsters and similar accessories used should not contain metallic components in the assembly. The use of accessories that do not satisfy these requirements may not comply with RF exposure requirements, and should be avoided.

### **11. TRADEMARKS**

All other trademarks and copyrights are the properties of their respective owners.

### **12. WARRANTY**

European customers, please check: <https://ruggear.com/warranty-terms/>

Customers in the Americas, please check: <https://ruggear.com/terms-and-conditions-americas/>

### **13. FCC STATEMENT**

1. This device complies with Part 15 of the FCC Rules.

Operation is subject to the following two conditions:

(1) This device may not cause harmful interference.

(2) This device must accept any interference received, including interference that may cause undesired operation.

2. Changes or modifications not expressly approved by the party responsible for compliance could void the user's authority to operate the equipment.

#### **NOTE:**

This equipment has been tested and found to comply with the limits for a Class B digital device, pursuant to Part 15 of the FCC Rules. These limits are designed to provide reasonable protection against harmful interference in a residential installation.

This equipment generates uses and can radiate radio frequency energy and, if not installed and used in accordance with the instructions, may cause harmful interference to radio communications. However, there is no guarantee that interference will not occur in a particular installation. If this equipment does cause harmful interference to radio or television reception, which can be determined by turning the equipment off and on, the user is encouraged to try to correct the interference by one or more of the following measures: Reorient or relocate the receiving antenna.

Increase the separation between the equipment and receiver.

Connect the equipment into an outlet on a circuit different from that to which the receiver is connected.

Consult the dealer or an experienced radio/TV technician

for help.

### **SAR Information Statement**

Your wireless phone is a radio transmitter and receiver. It is designed and manufactured not to exceed the emission limits for exposure to radiofrequency (RF) energy set by the Federal Communications Commission of the U.S. Government. These limits are part of comprehensive guidelines and establish permitted levels of RF energy for the general population. The guidelines are based on standards that were developed by independent scientific organizations through periodic and thorough evaluation of scientific studies. The standards include a substantial safety margin designed to assure the safety of all persons, regardless of age and health. The exposure standard for wireless mobile phones employs a unit of measurement known as the Specific Absorption Rate, or SAR. The SAR limit set by the FCC is 1.6 W/kg. \* Tests for SAR are conducted with the phone transmitting at its highest certified power level in all tested frequency bands. Although the SAR is determined at the highest certified power level, the actual SAR level of the phone while operating can be well below the maximum value. This is because the phone is designed to operate at multiple power levels so as to use only the power required to reach the network. In general, the closer you are to a wireless base station antenna, the lower the power output. Before a phone model is available for sale to the public, it must be tested and certified to the FCC that it does not exceed the limit established by the government adopted requirement for safe exposure. The tests are performed in positions and locations (e.g., at the ear and worn on the body) as required by the FCC for each model. The highest SAR value for this model phone when tested for use at the ear is 1.15W/Kg and when worn on the body, as described in this user guide, is 0.952W/Kg (Body-worn measurements differ among phone models, depending upon available accessories and FCC requirements). The maximum scaled SAR in hotspot mode is 0.952W/Kg. While there may be differences between the SAR levels of various phones and at various positions, they all meet the government requirement for safe exposure. The FCC has granted an Equipment Authorization for this model phone with all reported SAR levels evaluated as in compliance with the FCC RF exposure guidelines. SAR information on this model phone is on file with the FCC and can be found under the Display Grant section of <http://www.fcc.gov/oet/fccid> after searching on FCC ID: ZLE-RG360 Additional information on Specific

Absorption Rates (SAR) can be found on the Cellular Telecommunications Industry Association (CTIA) website at <http://www.wow-com.com>. \* In the United States and Canada, the SAR limit for mobile phones used by the public is 1.6 watts/kg (W/kg) averaged over one gram of tissue. The standard incorporates a substantial margin of safety to give additional protection for the public and to account for any variations in measurements.

**Body-worn Operation**

This device was tested for typical body-worn operations. To comply with RF exposure requirements, a minimum separation distance of 10mm must be maintained between the user's body and the handset, including the antenna. Third-party belt-clips, holsters, and similar accessories used by this device should not contain any metallic components. Body-worn accessories that do not meet these requirements may not comply with RF exposure requirements and should be avoided. Use only the supplied or an approved antenna.

## FRANÇAIS

### **1. Boutons et fonctionnalités particulières (voir l'illustration de la page 2)**

**1\_Presa per cuffie da 3.5 mm:** consente di collegare delle cuffie o un microfono per la funzione TalkBack dotati di connettore di 3,5 mm.

**2\_Bouton SOS :** Appuyez longuement pour sélectionner automatiquement un numéro d'urgence que vous avez sauvegardé au préalable. Cette fonction ne peut être utilisée qu'avec une appli LWP en option.

**3\_Bouton Alimentation :** Appuyez longuement pour allumer/éteindre l'appareil. Appuyez brièvement pour activer/désactiver le mode Veille.

**4\_Tasto SOS:** premendo a lungo viene selezionato automaticamente un numero di emergenza memorizzato dall'utente. Questa funzione può essere utilizzata solo in combinazione con un'applicazione LWP disponibile su base opzionale.

**5\_Tasti Volume:** consentono di alzare/abbassare il volume.

**6\_Spie a LED:** spie a LED dello stato di carica e delle notifiche.

**7\_3 tasti Android:** tasto Home/tasto Applicazione corrente/tasto Indietro

**8\_Microfono principale:** viene usato per effettuare chiamate, comunicazioni in modalità PTT o registrazioni

### **9\_Altoparlante**

**10\_Interfaccia USB:** interfaccia di tipo C per la ricarica del telefono cellulare e la trasmissione di dati.

**11\_Microfono secondario:** dotato della funzionalità di riduzione del rumore, viene usato per le chiamate in vivavoce.

### **12\_Fotocamera posteriore**

### **13\_Clip per cintura**

### **14\_Caricabatterie da tavolo Pogo**

## **2. INTRODUCTION**

Le présent document contient les informations et consignes de sécurité à impérativement observer en vue d'une exploitation en toute sécurité de l'appareil

**RG360** dans les conditions énoncées. Le non-respect de ces informations et instructions peut engendrer des dangers ou violer des consignes.

Avant d'utiliser l'appareil, lisez le mode d'emploi et les présentes consignes de sécurité. En présence d'informations

contradictaires, la version anglaise des instructions dans les présentes consignes de sécurité fait foi.

La déclaration de conformité CE actuelle, les certificats, les instructions de sécurité et les manuels sont disponibles sur le site **www.RugGear.com** ou peuvent être demandés auprès de l'entreprise **Power Idea Technology (Shenzhen) Co., Ltd.**

FR

### 3. SOUS RÉSERVE

Le contenu du présent document repose sur la fonction actuelle de l'appareil. L'entreprise **Power Idea Technology (Shenzhen) Co., Ltd.** n'accorde aucune garantie, expresse ou tacite, pour l'exactitude ou l'exhaustivité du contenu du présent document, y compris, sans pour autant s'y limiter, la garantie tacite d'une qualité marchande et d'une adéquation à des fins particulières, à moins que les lois ou législations applicables ne prescrivent impérativement une telle garantie. L'entreprise **Power Idea Technology (Shenzhen) Co., Ltd.** se réserve le droit de modifier ou de retirer le présent document à tout moment et sans préavis. Les modifications, erreurs et fautes d'impression ne permettent pas de prétendre à dommages et intérêts. Tous droits réservés. L'entreprise **Power Idea Technology (Shenzhen) Co., Ltd.** décline toute responsabilité pour les pertes de données et dommages similaires résultant d'une utilisation non conforme de l'appareil.

### 4. DÉCLARATION DE CONFORMITÉ CE

La déclaration de conformité CE se trouve à la fin de ce manuel.



### 5. CONSIGNES DE SÉCURITÉ COMPLÉMENTAIRES

- Ne pas toucher l'écran de l'appareil avec des objets pointus. Les particules de poussière et les ongles peuvent rayer l'écran. Toujours veiller à ce que l'écran soit propre. Éliminer en douceur la poussière de l'écran à l'aide d'un chiffon doux et ne pas rayer l'écran.
- Ne pas introduire l'appareil dans les environnements qui comportent des températures trop élevées, cela pourrait provoquer une surchauffe de la batterie et déclencher un incendie ou une explosion.
- Ne pas recharger l'appareil à proximité de substances inflammables ou explosives.
- Chargez uniquement l'appareil en intérieur dans les locaux secs.
- Ne rechargez pas l'appareil dans un environnement humide ou poussiéreux.
- N'utilisez pas l'appareil dans les zones où son utilisation est interdite.

- N'exposez pas l'appareil ou le chargeur à des champs électromagnétiques puissants, comme par ex. des plaques de cuisson à induction ou des fours à microondes.
- N'ouvrez pas vous-même l'appareil et n'effectuez pas non plus vous-même des réparations. Les réparations non conformes peuvent détruire l'appareil, déclencher un incendie ou provoquer une explosion. Les réparations de l'appareil sont strictement réservées aux spécialistes autorisés.
- Employez exclusivement les accessoires agréés par l'entreprise Power Idea Technology (Shenzhen) Co., Ltd..
- Dans les hôpitaux et autres établissements médicaux, éteignez l'appareil. Cet appareil peut perturber le fonctionnement des appareils médicaux tels que les stimulateurs cardiaques et prothèses auditives. Observez toujours une distance de sécurité minimale de 15 cm entre l'appareil et un stimulateur cardiaque.
- Assurez-vous que le niveau de volume n'est pas trop élevé lorsque vous branchez des écouteurs et des écouteurs pour protéger votre ouïe.
- En cas d'utilisation de l'appareil pendant la conduite d'un véhicule à moteur, observez la législation nationale applicable.
- Avant le nettoyage de l'appareil, éteignez-le et débranchez le câble de charge.
- Pour le nettoyage de l'appareil ou du chargeur, n'employez pas de produits chimiques. Nettoyez les appareils à l'aide d'un chiffon en tissu antistatique doux humidifié.
- L'adaptateur est à installer à proximité de l'équipement en veillant à ce qu'il soit facilement accessible.
- Le produit doit uniquement être connecté à une interface USB 2.0.
- Ne pas jeter les batteries au lithium usées ou oubliées avec les ordures ménagères. En tant qu'utilisateur, vous êtes également obligé de rapporter les anciennes batteries pour une mise au rebut appropriée.
- L'utilisateur assume l'entière responsabilité pour tous les dommages et frais causés par les logiciels malveillants téléchargés via le réseau ou d'autres fonctions d'échange de données de l'appareil. L'entreprise **Power Idea Technology (Shenzhen) Co., Ltd.** décline toute responsabilité pour ce type de revendications.



### **Avertissement**

L'entreprise **Power Idea Technology (Shenzhen) Co., Ltd.** décline toute responsabilité pour les dommages



causés par le non-respect des présents conseils ou par toute utilisation inappropriée de l'appareil.

FR

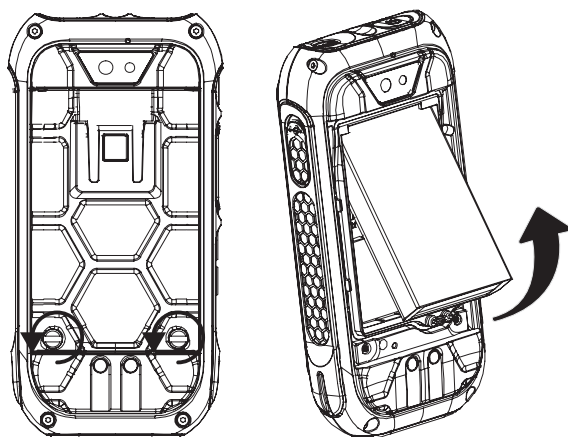
## 6. BATTERIE.

Risque d'explosion si la batterie est remplacée par une batterie du mauvais type. Jetez les batteries usagées conformément aux prescriptions.

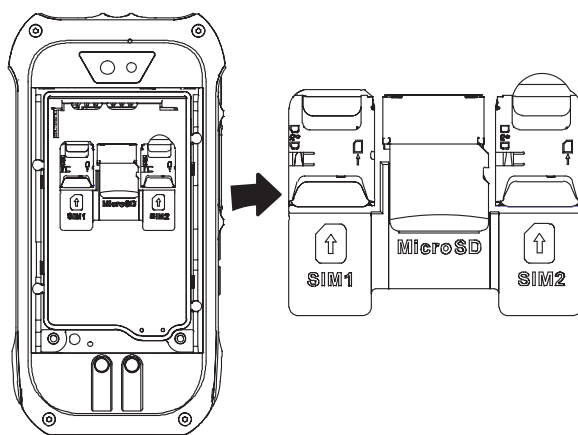
## 7. BATTERIE.

### 7.1 Installer la batterie / Installer la carte micro SIM et la carte micro SD

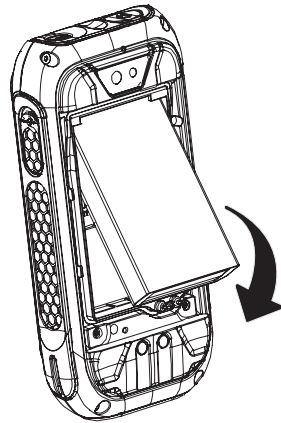
7.1.1 Dévissez la vis du compartiment de la batterie à l'aide d'un tournevis, comme illustré par l'illustration puis retirez la batterie.



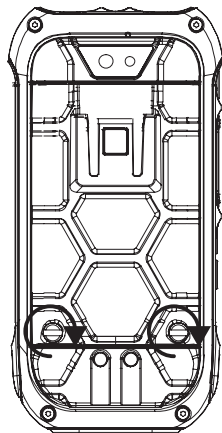
7.1.2 Install the Micro SIM card and Micro SD card as picture showed.



7.1.3 Une fois les cartes installées, enfoncez la batterie dans le compartiment à batterie.



7.1.4 Fermez le cache de la batterie et vissez la vis du cache dans le sens des aiguilles d'une montre.



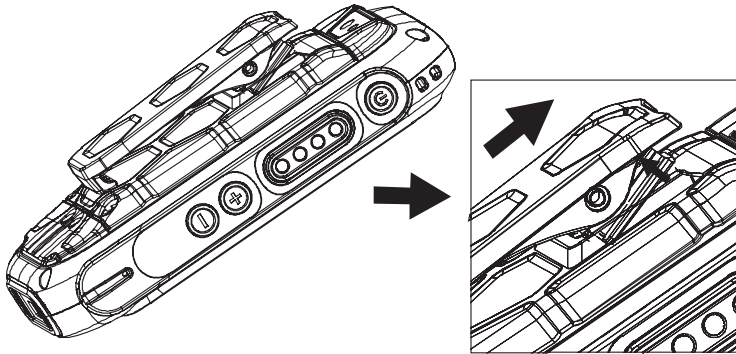
**Remarque :**

**Veillez à ce que le cache en caoutchouc de la prise casque et de la prise USB de l'appareil soit parfaitement en place afin de garantir la bonne étanchéité à l'eau et à la poussière.**

**Aucune autre déclaration spécifique n'est faite à ce sujet dans le document.**

**7.2. Installer et retirer le clip de ceinture**

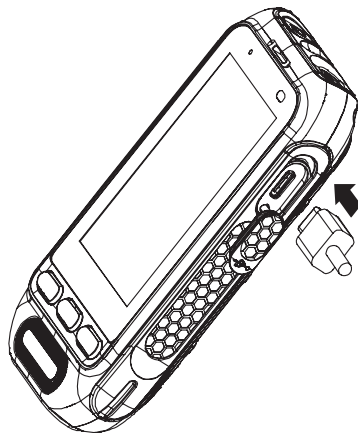
Comme illustré



### 7.3 CHARGING

Le RG360 est compatible avec une charge à 5V/1A. N'utilisez que des chargeurs et des câbles homologués RugGear car les produits non homologués pourraient provoquer l'explosion de la batterie ou endommager votre appareil.

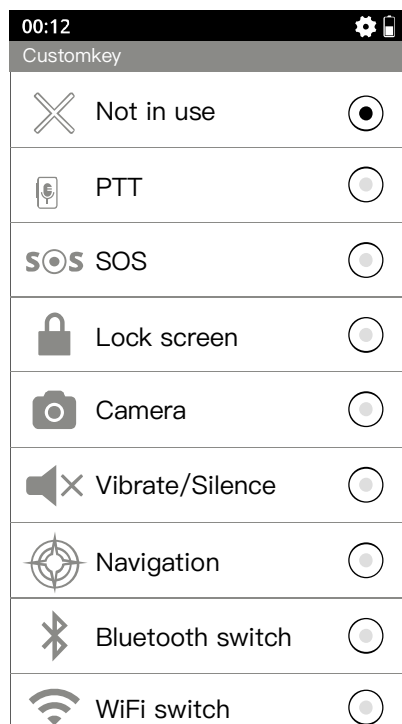
Vous ne devez recharger l'appareil qu'à une température ambiante comprise entre +0°C et +45°C. La température de fonctionnement normale de ce téléphone portable est comprise entre -10°C et 50°C .



## 8. Présentation du fonctionnement

### 8.1 Bouton PTT/Personnalisation

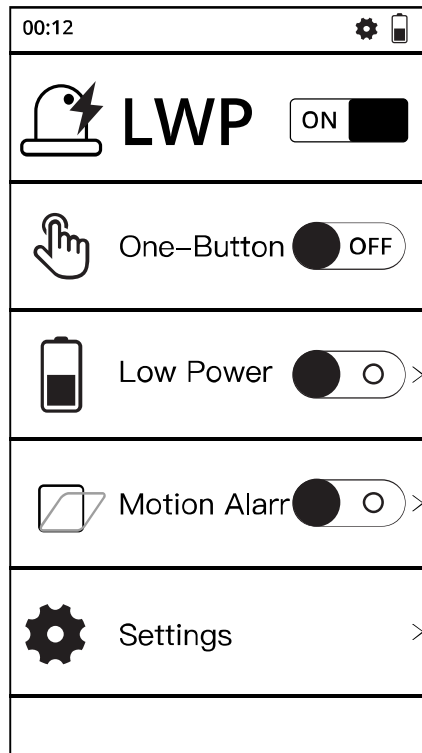
Le bouton PTT sert également de bouton de personnalisation des fonctions. Vous pouvez donc, au choix, choisir et modifier les fonctions que vous souhaitez. À la première utilisation, vous devez paramétrer votre appli (Bouton Personnalisation), comme suit



## 8.2 Alarme multifonction (LWP)

L'alarme multifonction fait référence à la fonction qui détecte l'état du téléphone portable pendant les mouvements ou le repos et qui avertit automatiquement le contact à prévenir en cas d'urgence par un appel ou un SMS.

1. Mot de passe par défaut : 1122.
2. Après avoir ouvert l'application pour la première fois, vous devez définir un numéro de téléphone par défaut pour l'alarme.
3. Si le téléphone portable utilise deux cartes SIM, vous devez également définir quel numéro de téléphone par défaut passera les appels ou enverra les SMS



## 9. RECYCLAGE

Le symbole de la poubelle rayée sur votre produit, batterie, documentation ou emballage vous rappelle que tous les produits électriques et électroniques, piles et batteries doivent être recyclés séparément à la fin de leur cycle de vie. Ces dispositions sont valables dans toute l'Union européenne. Ne jetez pas ces produits avec les ordures ménagères non triées. Déposez toujours les produits électroniques, les batteries et le matériel d'emballage auprès des centres de collecte compétents. Cela permet d'éviter les décharges sauvages et encourage la réutilisation des ressources. Pour de plus amples informations, contactez votre revendeur, votre entreprise régionale chargée de la collecte des ordures, les autorités nationales en charge de la responsabilité étendue du fabricant ou le représentant local de l'entreprise Power Idea Technology (Shenzhen) Co., Ltd..



## 10. INFORMATIONS À PROPOS DE LA CERTIFICATION DAS

### (DÉBIT D'ABSORPTION SPÉCIFIQUE)

En Europe, le taux d'absorption spécifique ou DAS ne doit pas être supérieur à 2,0 W/kg. L'appareil a également été testé avec ce seuil DAS. La valeur DAS la plus élevée mesurée en vertu de cette norme durant la certification

du produit pour une utilisation près du corps s'élève à 0.58 W/kg et lorsqu'il est porté sur le corps est de 1.50 W / kg. Cet appareil a été testé en vue d'une utilisation près du corps typique en observant une distance de 5 mm entre le combiné et le corps. L'appareil est conforme aux spécifications RF en cas d'utilisation à 5 mm de votre corps. Il est déconseillé d'utiliser des clips de ceinture, étuis et accessoires similaires qui abritent des composants métalliques. Il est possible que l'utilisation d'accessoires non conformes à ces exigences ne soit pas conforme aux exigences relatives à l'exposition aux radiofréquences et il est recommandé d'éviter une telle utilisation.

## **11. MARQUES**

Toutes les autres marques et copyrights sont la propriété de leurs propriétaires respectifs.

## **12. GARANTIE**

- For European customers please check: <https://ruggear.com/warranty-terms/>
- For Customers in Americas please check: <https://ruggear.com/terms-and-conditions-americas/>
- Pour plus d'informations sur FCC, visitez le site [www.RugGear.com](http://www.RugGear.com) et recherchez-le dans la section "Assistance".

## ITALIANO

IT

### **1. Tasti e funzioni speciali (vedere la figura a pagina 2)**

**1\_Presa per cuffie da 3.5 mm:** consente di collegare delle cuffie o un microfono per la funzione TalkBack dotati di connettore di 3,5 mm.

**2\_Tasto SOS:** premendo a lungo viene selezionato automaticamente un numero di emergenza memorizzato dall'utente. Questa funzione può essere utilizzata solo in combinazione con un'applicazione LWP disponibile su base opzionale.

**3\_Tasto di accensione:** premere a lungo per accendere/ spegnere il dispositivo. Premere brevemente per attivare/ disattivare la modalità di standby.

**4\_Tasto PTT/Personalizzato:** premere a lungo per abilitare la funzionalità software TalkBack.

**5\_Tasti Volume:** consentono di alzare/abbassare il volume.

**6\_Spie a LED:** spie a LED dello stato di carica e delle notifiche.

**7\_3 tasti Android:** tasto Home/tasto Applicazione corrente/tasto Indietro

**8\_Microfono principale:** viene usato per effettuare chiamate, comunicazioni in modalità PTT o registrazioni

**9\_Altoparlante**

**10\_Interfaccia USB:** interfaccia di tipo C per la ricarica del telefono cellulare e la trasmissione di dati.

**11\_Microfono secondario:** dotato della funzionalità di riduzione del rumore, viene usato per le chiamate in vivavoce.

**12\_Fotocamera posteriore**

**13\_Clip per cintura**

**14\_Caricabatterie da tavolo Pogo**

## **2. INTRODUZIONE**

Questo documento contiene informazioni e prescrizioni di sicurezza che devono essere necessariamente osservate nell'ottica del funzionamento sicuro del dispositivo RG360 alle condizioni descritte. La mancata osservanza di tali informazioni e istruzioni può avere conseguenze pericolose o violare le prescrizioni previste. Si prega di leggere le istruzioni per l'uso e le prescrizioni di sicurezza prima di utilizzare l'apparecchio. In caso di informazioni discordanti si applicano le istruzioni delle prescrizioni di sicurezza in lingua inglese.

L'attuale dichiarazione di conformità UE, i certificati, le istruzioni di sicurezza e i manuali sono disponibili sul sito **www.RugGear.com**, o possono essere richiesti direttamente a **Power Idea Technology (Shenzhen) Co.,**

Ltd..

### 3. RISERVA

Il contenuto del presente documento si basa sulla funzione corrente del dispositivo. L'azienda Power Idea Technology (Shenzhen) Co., Ltd. non si assume alcuna responsabilità, né espressa né implicita, relativamente alla correttezza o completezza dei contenuti del documento, compresi segnatamente ma non esclusivamente la garanzia implicita di commerciabilità e idoneità per uno scopo specifico, fatti salvi i casi in cui norme o sentenze applicabili prevedano tale responsabilità. **Power Idea Technology (Shenzhen) Co., Ltd.** si riserva il diritto di apportare modifiche al presente documento o di ritirarlo in qualsiasi momento e senza obbligo di preavviso. Modifiche, errori e refusi non possono costituire il fondamento per richieste di indennizzo. Tutti i diritti riservati. **Power Idea Technology (Shenzhen) Co., Ltd.** non si assume alcuna responsabilità per la perdita di dati o per danni di qualsiasi altro tipo derivanti da un uso improprio del dispositivo.

### 4. DICHIARAZIONE DI CONFORMITÀ UE

La dichiarazione di conformità UE si trova alla fine delle presenti istruzioni.



### 5. ALTRE PRESCRIZIONI DI SICUREZZA

- Non toccare lo schermo del dispositivo con oggetti appuntiti. Le particelle di polvere e le unghie possono graffiare lo schermo. Tenere pulito lo schermo. Rimuovere delicatamente la polvere dallo schermo con un panno morbido ed evitare di graffiare lo schermo.
- Non collocare il dispositivo in ambienti con temperature eccessive: il calore potrebbe surriscaldare la batteria e causare incendi o esplosioni.
- Non caricare il dispositivo nei pressi di sostanze infiammabili o esplosive.
- Caricare il dispositivo solo in locali chiusi e asciutti.
- Non caricare il dispositivo in ambienti umidi o polverosi.
- Non utilizzare il dispositivo in luoghi in cui ne è vietato l'uso.
- Non esporre il dispositivo o il caricabatterie a forti campi elettromagnetici come ad esempio quelli provenienti da piani cottura a induzione o forni a microonde.
- Non aprire il dispositivo e non eseguire da soli alcuna riparazione. Le riparazioni inappropriate possono provocare la distruzione del dispositivo o innescare un incendio o un'esplosione. Il dispositivo può essere riparato solo da tecnici autorizzati.



- Utilizzare solo accessori autorizzati da Power Idea Technology (Shenzhen) Co., Ltd..
- Spegnere il dispositivo all'interno di cliniche o strutture ospedaliere. Il dispositivo può influire sul funzionamento di apparecchiature mediche come pacemaker o apparecchi acustici. Mantenere sempre una distanza di sicurezza di almeno 15 cm tra il dispositivo e un pacemaker.
- Assicurarsi che il livello del volume non sia impostato su un valore troppo alto quando si collegano cuffie e auricolari per proteggere l'udito.
- Osservare le leggi nazionali in vigore quando si utilizza il dispositivo alla guida di un mezzo di trasporto.
- Spegnere il dispositivo e rimuovere il cavo di ricarica prima di pulire l'apparecchio.
- Non utilizzare detergenti chimici per pulire il dispositivo o il caricabatterie. Pulire gli apparecchi con un panno antistatico morbido e umido.
- L'adattatore deve essere installato vicino all'impianto ed essere facilmente accessibile.
- Il prodotto deve essere connesso esclusivamente a una porta USB 2.0.
- Non smaltire le batterie al litio esaurite e abbandonate nella spazzatura normale; conferirle alle sedi preposte per lo smaltimento dei rifiuti.
- L'utente è responsabile dei danni e delle responsabilità conseguenti al download di malware durante l'uso di funzioni di rete o di scambio dati del dispositivo. **Power Idea Technology (Shenzhen) Co., Ltd.** non può essere considerata responsabile di eventuali richieste di indennizzo conseguenti.



### **Avvertenza**

**Power Idea Technology (Shenzhen) Co., Ltd. non potrà assumersi alcuna responsabilità per i danni causati da negligenza nei confronti delle presenti raccomandazioni o dall'uso non corretto del dispositivo.**

## **6. BATTERIA**

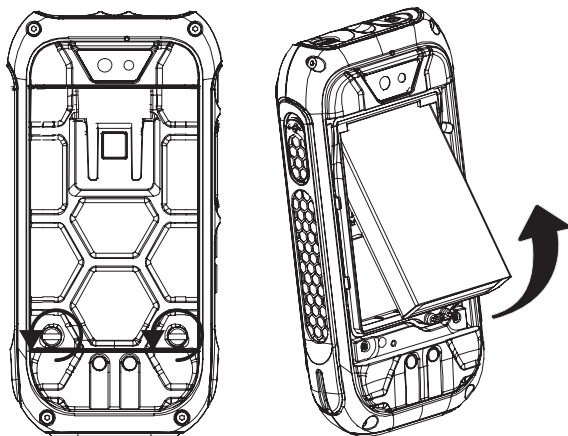
Rischio di esplosione se la batteria viene sostituita con una di tipo non corretto. Smaltire la batterie usate seguendo le istruzioni.

## **7. PREPARAZIONE**

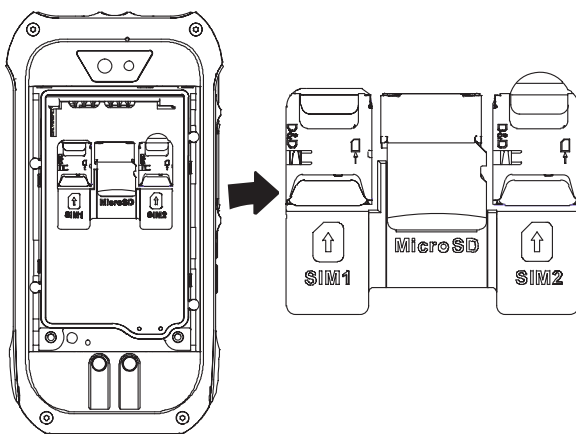
### **7.1 Installazione della batteria/Installazione della scheda Micro SIM e/o della scheda Micro SD**

7.1.1 Ruotare la vite di fissaggio del gruppo batteria con

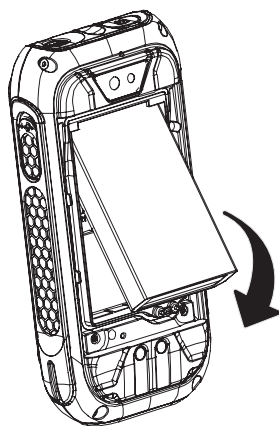
un cacciavite, come illustrato nella figura, quindi estrarre il gruppo batteria.



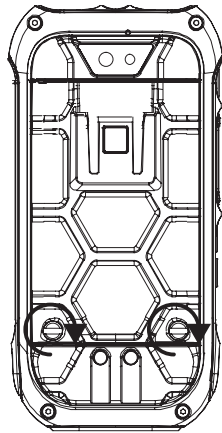
7.1.2 Installare la scheda Micro SIM e/o la scheda Micro SD, come illustrato nella figura.



7.1.3 Dopo aver inserito le schede, premere la batteria nel vano batteria.



7.1.4 Chiudere il coperchio della batteria e ruotare la vite del coperchio della batteria in senso orario.

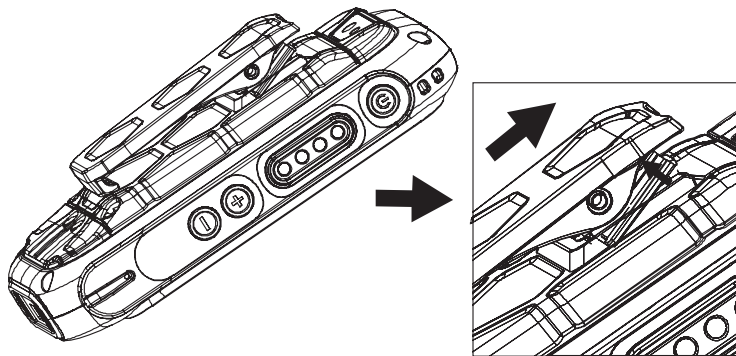


**Nota:**

**accertarsi che i coperchietto in gomma della presa per le cuffie e della la presa USB del dispositivo siano perfettamente sigillati in modo da garantire l'effettiva impermeabilità e resistenza alla polvere. Non saranno rilasciate ulteriore dichiarazioni specifiche al riguardo di seguito.**

## 7.2. Montaggio e smontaggio della clip per cintura

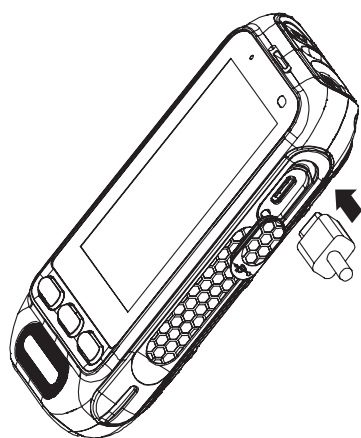
Come illustrato in figura



## 7.3 CARICA

Il modello RG360 supporta la carica a 5 V/1A. Utilizzare esclusivamente caricabatterie e cavi con licenza originale di RugGear, poiché i prodotti sprovvisti di licenza possono causare l'esplosione della batteria o danneggiare il dispositivo.

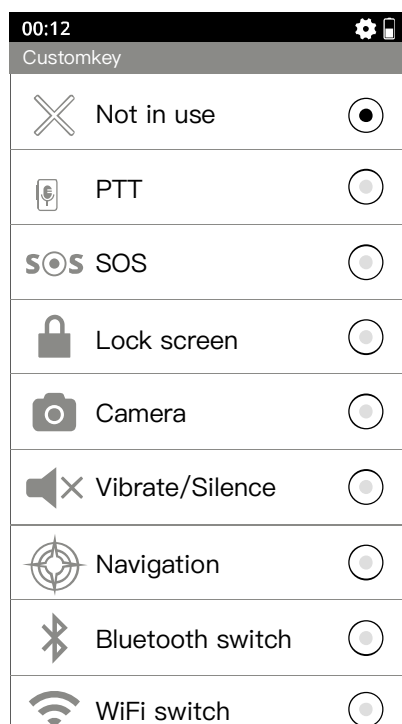
È possibile caricare il dispositivo solo a una temperatura ambiente compresa tra +0 °C e +45 °C. La normale temperatura operativa di questo telefono cellulare è compresa tra -10°C e 50 °C



## 8. Introduzione alle funzioni

### 8.1 Tasto PTT/Personalizzato

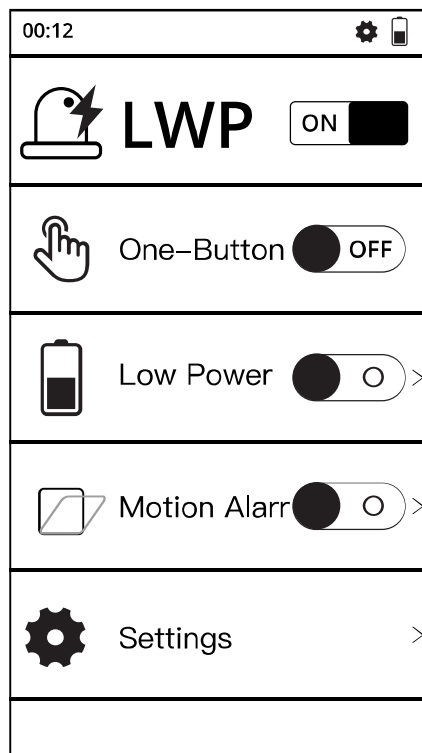
Il tasto PTT serve anche per personalizzare i tasti funzione. Infatti è possibile scegliere e modificare le funzioni che si desiderano. Se lo si utilizza per la prima volta occorre impostarlo all'interno della propria APP (CustomKey), come mostrato sotto



### 8.2 Allarme multifunzionale (LWP)

L'allarme multifunzionale fa riferimento alla funzione che rileva lo stato del telefono cellulare durante gli spostamenti e il riposo e informa automaticamente il contatto di emergenza tramite chiamata/SMS.

1. Password predefinita: 1122.
2. Dopo aver aperto l'applicazione per la prima volta, è necessario impostare un numero di telefono predefinito per l'allarme.
3. Se nel telefono cellulare vengono utilizzate due schede SIM, occorre impostare un numero di telefono predefinito per chiamata/SMS



## 11. SMALTIMENTO

Il simbolo del cestino con la croce sopra apposto sul prodotto, sulla batteria, sul materiale di consultazione e sulla confezione ricorda all'utente che tutti i prodotti elettrici ed elettronici, le batterie e gli accumulatori devono essere conferiti a un apposito punto di raccolta una volta raggiunta la fine della vita utile. Tale requisito è in vigore nell'Unione Europea. Non smaltire questi prodotti come rifiuti comunali indifferenziati. Conferire sempre i prodotti elettronici usati, le batterie e i materiali di confezionamento ai punti di raccolta preposti. In tal modo si contribuisce a impedire lo smaltimento incontrollato dei rifiuti e si promuove il riciclaggio dei materiali. Per informazioni più dettagliate, rivolgersi al negoziante che ha venduto



il prodotto, alle autorità locali di nettezza urbana, alle organizzazioni responsabili del produttore nazionale o al proprio rappresentante locale **Power Idea Technology (Shenzhen) Co., Ltd.**

## **12. INFORMAZIONI SULLA CERTIFICAZIONE CE SAR (SPECIFIC ABSORPTION RATE, TASSO DI ASSORBIMENTO SPECIFICO)**

Il limite SAR in Europa è 2,0 W/kg. Il dispositivo è stato testato anche a fronte di questo limite SAR. Il massimo valore SAR segnalato in conformità a questo standard durante la certificazione del prodotto per l'utilizzo in prossimità del corpo è di 0.58 W/kg e quando indossato sul corpo è 1.50 W / kg. Questo dispositivo è stato testato per operazioni standard con il dispositivo indossato con la parte posteriore tenuta a 5 mm dal corpo. Il dispositivo è conforme alle specifiche RF se utilizzato a 5 mm dal corpo. Clip da cintura, custodie e accessori analoghi eventualmente utilizzati non devono contenere componenti metallici nell'assemblaggio. L'uso di accessori che non rispettano queste caratteristiche potrebbe non essere conforme ai requisiti di esposizione alle radiofrequenze e va evitato.

## **13. MARCHI**

Tutti gli altri marchi e copyright sono di proprietà dei rispettivi detentori.

## **14. GARANZIA**

- Per i clienti europei, controllare: <https://ruggear.com/warranty-terms/>
- Per i clienti nelle Americhe, controllare: <https://ruggear.com/terms-and-conditions-america/>.
- Per informazioni FCC, vai su [www.RugGear.com](http://www.RugGear.com) e trovalo nella sezione „Supporto“.

## PORTUGUÊS

PT

### **1. Teclas e funções especiais (consulte a ilustração na página 2)**

**1\_Ficha dos auscultadores de 3,5 mm:** Ligue aos auscultadores de 3,5 mm ou ao microfone intercomunicador de 3,5 mm.

**2\_Botão SOS:** Se pressionar o botão de maneira contínua, é selecionado automaticamente um número de emergência armazenado por si. Esta função só pode ser utilizada em conjunto com uma aplicação LWP disponível como opção.

**3\_Botão de alimentação:** Pressione de maneira contínua para ligar/desligar o dispositivo. Pressione ligeiramente para ligar/desligar o modo de espera

**4\_Botão PTT/personalizado:** Pressione continuamente a tecla personalizada para permitir o retorno de software.

**5\_Botões de volume:** Aumentar/diminuir volume.

**6\_Indicador LED:** Indicadores LED para carregamento e notificação.

**7\_Tecla Android 3:** tecla Início/aplicação atual/tecla Regressar

**8\_Microfone principal:** utiliza as opções Chamar, PTT para conversar ou gravação

**9\_Altifalante**

**10\_Interface USB:** A interface do Tipo C para carregar o telemóvel e transmissão de dados.

**11\_Sub-Mic:** o ruído é reduzido e é utilizado para chamadas mãos-livres

**12\_Câmara traseira**

**13\_Clipe de cintura**

**14\_Carregador de secretária Pogo**

## **2. INTRODUÇÃO**

Este documento contém informações e normas de segurança que devem ser observadas de forma a assegurar a operação segura do aparelho **RG360** de acordo com as condições descritas. A não observação destas informações e instruções pode ter consequências perigosas ou infringir as normas. Antes de utilizar o aparelho, leia o Manual de instruções e estas Instruções de segurança. ! Em caso de informações contraditórias são válidas as instruções inglesas nestas Instruções de segurança. A Declaração de conformidade EU atual, os Certificados de exame de tipo, as Instruções de segurança e o Manual de instruções podem ser descarregados em [www.RugGear.com](http://www.RugGear.com) ou solicitados junto da **Power Idea Technology (Shenzhen) Co., Ltd.**

### 3. RESERVA

O conteúdo do presente documento baseia-se na função atual do aparelho. **A Power Idea Technology (Shenzhen) Co., Ltd.** não assume, nem explicitamente nem implicitamente, qualquer responsabilidade pela veracidade ou integridade do conteúdo deste documento, incluindo, mas não limitado, garantias implícitas de capacidade de comercialização ou adequação a um fim específico, a menos que, as leis ou jurisprudência aplicáveis estabeleçam uma responsabilidade obrigatória. **A Power Idea Technology (Shenzhen) Co., Ltd.** reserva-se o direito de efetuar alterações a este documento ou de o retirar, a qualquer momento, sem aviso prévio. Modificações, lapsos e erros de impressão não dão direito a indenizações. Todos os direitos reservados. **A Power Idea Technology (Shenzhen) Co., Ltd.** não assume qualquer responsabilidade por perdas de dados ou quaisquer outros danos similares causados por utilização incorreta do aparelho.

### 4. DECLARAÇÃO DE CONFORMIDADE EU

A Declaração de conformidade EU encontra-se no final deste Manual.



### 5. OUTRAS INSTRUÇÕES DE SEGURANÇA

- Não toque no visor com objetos pontiagudos. A poeira e a sujidade ou as suas unhas podem riscar o vidro do visor. Mantenha o vidro do visor limpo, limpando-o regularmente com um pano macio.
- Não exponha o aparelho a temperaturas elevadas, pois isso poderá levar ao sobreaquecimento da bateria, o que poderá causar um incêndio ou, na pior das hipóteses, uma explosão.
- Não carregue o aparelho na proximidade de substâncias inflamáveis ou explosivas.
- Carregue o aparelho apenas em espaços interiores secos.
- Não carregue o aparelho em ambientes húmidos ou com pó.
- Não utilize o aparelho em áreas nas quais a sua utilização é proibida.
- Não exponha o aparelho ou o carregador a quaisquer campos magnéticos fortes, como os produzidos, por ex., por fugões de indução ou fornos microondas.
- Não tente abrir o aparelho ou efetuar quaisquer reparações. As reparações incorretas podem causar avaria do aparelho, incêndio ou explosão. O aparelho só deve ser



reparado por técnicos autorizados.

- Utilize somente acessórios autorizados pela Power Idea Technology (Shenzhen) Co., Ltd.
- Desligue o aparelho em hospitais ou outras instalações médicas. Este aparelho pode interferir no funcionamento de dispositivos médicos como pacemakers ou aparelhos auditivos. Mantenha sempre uma distância de segurança de, pelo menos, 15 cm entre o aparelho e um pacemaker.
- Certifique-se de que o nível de volume não esteja ajustado muito alto ao conectar fones de ouvido e fones de ouvido para proteger sua audição.
- Ao utilizar o aparelho enquanto comanda um veículo, preste atenção às respetivas leis estatais.
- Antes de limpar o aparelho, desligue-o e retire o cabo de carregamento.
- Não utilize quaisquer produtos químicos para limpar o aparelho ou o carregador. Limpe os aparelhos com pano antiestático macio e humedecido.
- O adaptador deve ser instalado perto do equipamento e deverá ser facilmente acessível.
- O produto apenas deve ser ligado a uma interface USB, de versão USB2.0.
- As baterias NÃO devem ser colocadas no lixo doméstico. Como consumidor, é obrigado a enviar as baterias velhas para eliminação correta por um profissional.
- O utilizador é o responsável por vírus de computador resultantes da utilização das funções de internet . Não existe direito a recurso contra a **Power Idea Technology (Shenzhen) Co., Ltd..**



#### **Aviso**

**A Power Idea Technology (Shenzhen) Co., Ltd. não assume qualquer responsabilidade por danos causados pela não observância destas instruções ou utilização incorreta do aparelho.**

#### **6. BATERIA**

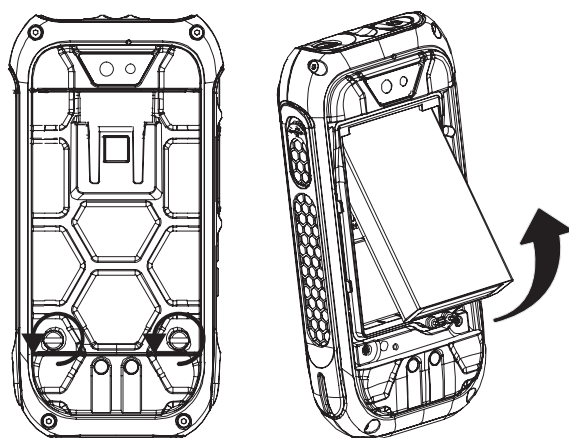
Há um risco de explosão se a bateria for substituída por uma incorrecta. Elimine as baterias gastas de acordo com as instruções.

#### **7. PREPARAÇÃO**

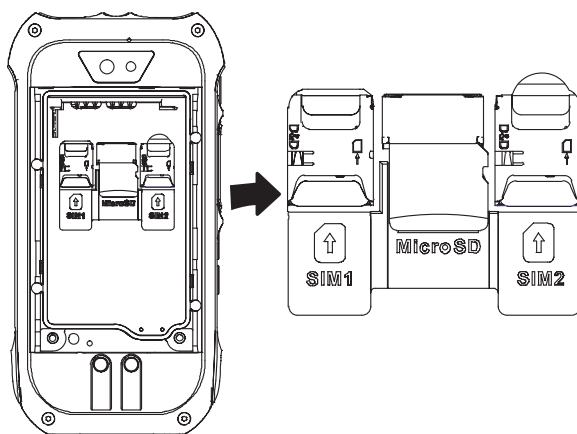
##### **7.1 Instalar a bateria/instalar o cartão Micro SIM e o cartão Micro SD**

7.1.1 Rode o parafuso do conjunto da bateria com uma chave de parafusos, como indicado na Figura e depois

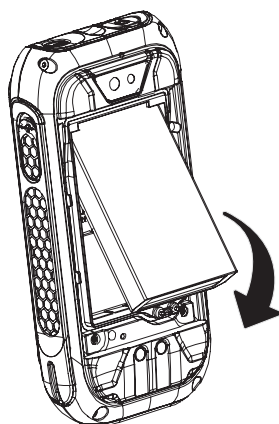
retire o conjunto da bateria.



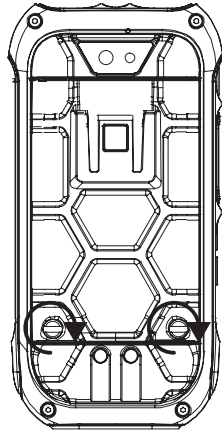
7.1.2 Instale o cartão Micro SIM e o cartão Micro SD, como indicado na figura.



7.1.3 Depois de inserir os cartões, insira a bateria no respectivo compartimento.



7.1.4 Feche a tampa da bateria e rode o parafuso da tampa da bateria para a direita.

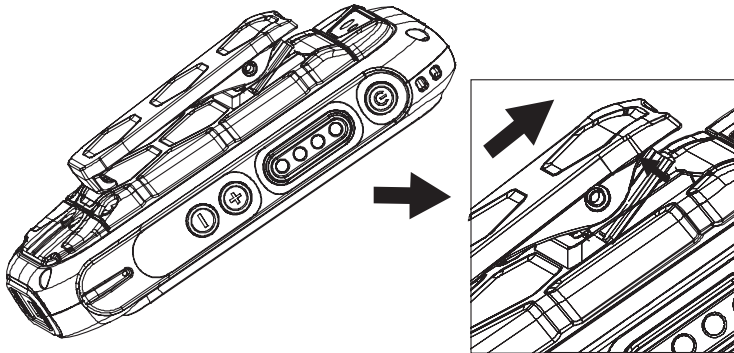


**Nota:**

**Verifique se a tampa de borracha dos auriculares e a ficha USB do dispositivo estão bem vedados para que o equipamento esteja à prova de água e de pó. Não será feita qualquer declaração especial posteriormente.**

## 7.2. Instalar e desmontar o clipe de cintura

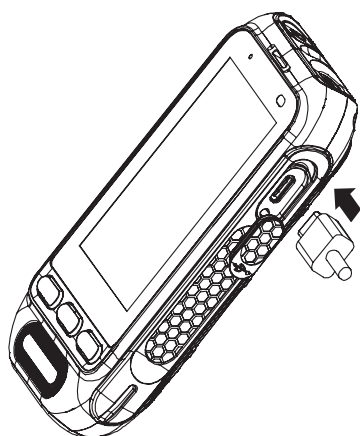
Conforme indicado



## 7.3 CARREGAR

O modelo RG360 é compatível com uma carga de 5 V/1 A. Utilize apenas os carregadores e os cabos de licença abrangente RugGear porque os produtos não licenciados podem fazer com que a bateria exploda ou podem danificar o dispositivo.

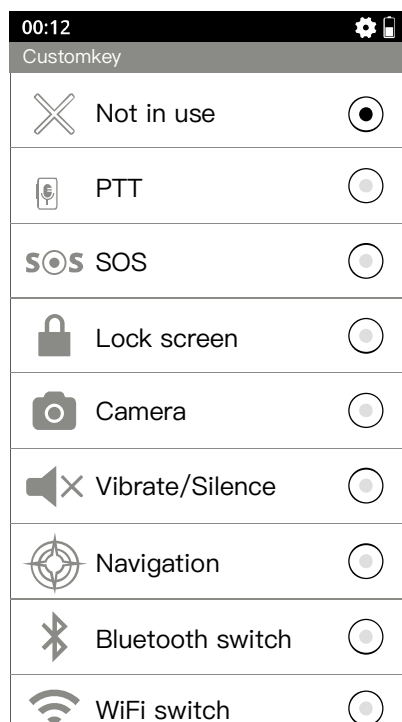
Só pode carregar o dispositivo a uma gama de temperaturas entre +0 °C e +45 °C. A temperatura normal de funcionamento deste telemóvel varia entre -10 °C a 50 °C.



## 8. Introdução às funções

### 8.1 Botão PTT/personalizado

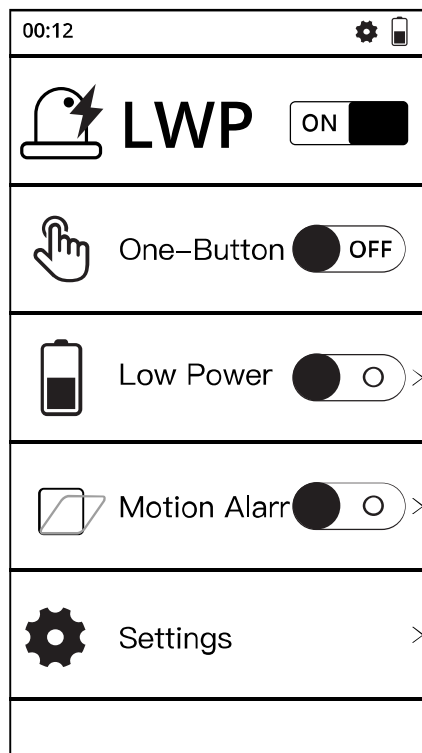
O botão PTT é também uma das teclas de função personalizadas, o que lhe permite escolher e modificar as funções pretendidas. Quando utilizar o equipamento pela primeira vez, tem de defini-lo na sua aplicação (CustomKey), como indicado abaixo



### 8.2 Alarme multifuncional (LWP)

O alarme multifuncional diz respeito à funcionalidade que detecta o estado do telemóvel em movimento e em pausa e notifica automaticamente o contacto de emergência por chamada/SMS.

1. Palavra-passe predefinida: 1122.
2. Depois de abrir a aplicação pela primeira vez, tem de definir um número de telemóvel predefinido para o alarme.
3. Se o telemóvel utilizar dois cartões SIM, tem de definir um número de telefone predefinido para marcação/SMS



## 11. RECICLAGEM

O símbolo do contentor de lixo sobre rodas riscado, que se encontra no produto, na bateria, na documentação ou no material de embalagem, significa que os produtos elétricos e eletrónicos, as pilhas e baterias no final da sua vida útil devem ser submetidos a uma recolha de lixo seletiva. Estas normas são válidas na União Europeia. Não elimine estes produtos através do lixo doméstico. Elimine os produtos eletrónicos usados,



baterias e material de embalagem sempre nos respetivos locais de recolha. Desta forma evitará a eliminação descontrolada de resíduos e estará a promover a reciclagem de recursos materiais. Poderá obter mais

informações junto do comerciante onde adquiriu o produto, empresas regionais de tratamento de resíduos, autoridades estatais para o cumprimento das responsabilidades avançadas dos produtores ou do representante da Power Idea Technology (Shenzhen) Co., Ltd. responsável pelo seu país ou região.

## **12. INFORMAÇÕES SOBRE CERTIFICAÇÃO CE SAR (TAXA DE ABSORÇÃO ESPECÍFICA)**

O limite para a SAR (Taxa de Absorção Específica) na Europa é de 2,0 W/kg. O dispositivo foi também testado face a este limite SAR. O valor SAR mais elevado comunicado face a este padrão durante a certificação do produto para utilização corporal é de 0.58 W/kg e quando usado no corpo, o desgaste é de 1.50 W / kg. Este dispositivo foi testado para operações típicas de uso corporal, com a parte de trás do dispositivo mantido a 5mm do corpo. O dispositivo cumpre com especificações de RF quando o dispositivo é usado a uma distância

de 5 mm do seu corpo. Ao usar presilhas de cinto, coldres e acessórios semelhantes, estes não deverão conter componentes metálicos na sua construção. O uso de acessórios que não satisfazem estas exigências poderão não permitir conformidade com as exigências de exposição à RF, devendo ser evitados.

## **13. MARCAS COMERCIAIS**

Todas as outras marcas e Copyrights são propriedade dos seus respetivos proprietários.

## **14. GARANTIA**

• Para os clientes europeus, por favor, verifique: <https://ruggear.com/warranty-terms/>

Para clientes nas Américas, por favor, verifique: <https://ruggear.com/terms-and-conditions-americas/>

• Para obter informações da FCC, acesse [www.RugGear.com](http://www.RugGear.com) e encontre-as na seção „Suporte“.

## DEUTSCH

DE

### **1. Tasten und Sonderfunktionen (siehe Abbildung auf Seite 2)**

**1\_3,5-mm-Headset-Anschluss:** Zum Anschließen des 3,5-mm-Kopfhörers oder des 3,5-mm-Talkback-Mikrofons

**2\_SOS-Taste:** Durch langes Drücken wird automatisch die von Ihnen gespeicherte Notrufnummer gewählt. Diese Funktion kann nur in Verbindung mit der optional erhältlichen LWP-App genutzt werden.

**3\_An-/Aus-Taste:** Lange drücken zum EIN-/AUSSCHALTEN des Geräts. Kurz drücken zum EIN-/AUSSCHALTEN des Standby-Modus.

**4\_PTT/Benutzerdefinierte Taste:** Drücken Sie lange auf die benutzerdefinierte Taste, um das Software-Talkback zu aktivieren.

**5\_Lautstärketasten:** Lautstärke erhöhen/verringern.

**6\_Anzeige-LED:** Anzeige-LEDs für Aufladung und Benachrichtigung.

**7\_Taste Android 3:** Home-Taste/ Aktuelle Anwendung/ Zurück-Taste

**8\_Hauptmikrofon:** Für Anrufe, PTT-Gespräche oder Aufnahmen

**9\_Lautsprecher**

**10\_USB-Schnittstelle:** Typ-C-Schnittstelle zum Laden von Mobiltelefonen und zur Datenübertragung.

**11\_Nebemikrofon:** Zur Geräuschreduzierung und zum Freisprechen

**12\_Rückseitenkamera**

**13\_Gürtelclip**

**14\_Tischladestation Pogo**

### **2. EINFÜHRUNG**

Dieses Dokument enthält Informationen und Sicherheitsvorschriften die für einen sicheren Betrieb des Geräts **RG360** unter den beschriebenen Bedingungen unbedingt zu berücksichtigen sind. Nichtbeachtung dieser Informationen und Anweisungen kann gefährliche Folgen haben oder gegen Vorschriften verstoßen. Lesen Sie die Bedienungsanleitung und diese Sicherheitshinweise bevor Sie das Gerät benutzen. Im Falle widersprüchlicher Informationen gelten die englischen Anweisungen in diesen Sicherheitshinweisen. Die aktuelle EU-Konformitätserklärung, Baumusterprüfbescheinigung, Sicherheitshinweise und Bedienungsanleitung können unter [www.RugGear.com](http://www.RugGear.com) heruntergeladen oder bei der **Power Idea Technology (Shenzhen) Co., Ltd.** angefordert werden.

### 3. VORBEHALT

Der Inhalt dieses Dokuments basiert auf der aktuellen Funktion des Gerätes. Die Power Idea Technology (Shenzhen) Co., Ltd. übernimmt weder ausdrücklich noch stillschweigend irgendeine Gewährleistung für die Richtigkeit oder Vollständigkeit des Inhalts dieses Dokuments, einschließlich, aber nicht beschränkt, auf die stillschweigende Garantie der Markttauglichkeit und der Eignung für einen bestimmten Zweck, es sei denn, anwendbare Gesetze oder Rechtsprechungen schreiben zwingend eine Haftung vor. Die **Power Idea Technology (Shenzhen) Co., Ltd.** behält sich das Recht vor, jederzeit ohne vorherige Ankündigung Änderungen an diesem Dokument vorzunehmen oder das Dokument zurückzuziehen. Änderungen, Irrtümer und Druckfehler begründen keinen Anspruch auf Schadensersatz. Alle Rechte vorbehalten.

Für Datenverluste oder andere Schäden gleich welcher Art, die durch den unsachgemäßen Gebrauch des Geräts entstanden sind, übernimmt die **Power Idea Technology (Shenzhen) Co., Ltd.** keine Haftung.

### 4. EU-KONFORMITÄTSERKLÄRUNG

Die EU-Konformitätserklärung befindet sich am Ende dieser Anleitung.



### 5. WEITERE SICHERHEITSHINWEISE

- Berühren Sie das Display nicht mit scharfkantigen Gegenständen. Staub und Schmutz oder Ihre Fingernägel können die Displayscheibe zerkratzen. Bitte halten Sie die Displayscheibe sauber, indem Sie diese regelmäßig mit einem weichen Stofftuch reinigen.
- Setzen Sie das Gerät keinen hohen Temperaturen aus, da dadurch der Akku überhitzen kann, was zu Feuer oder im schlimmsten Fall zu einer Explosion führen kann.
- Laden Sie das Gerät nicht in der Nähe von brennbaren oder explosiven Substanzen.
- Laden Sie das Gerät nur in trockenen Innenräumen.
- Laden Sie das Gerät nicht in feuchter oder staubiger Umgebung.
- Benutzen Sie das Gerät nicht an Orten, wo das Benutzen verboten ist.
- Setzen Sie das Gerät oder das Ladegerät keinen starken elektrischen Magnetfeldern aus, wie sie z. B. von Induktionsherden oder Mikrowellenöfen ausgehen.
- Öffnen Sie das Gerät nicht selbst und führen Sie auch keine Reparaturen selbst durch. Unsachgemäße Reparaturen können zur Zerstörung des Geräts, zu Feuer oder zu einer Explosion führen. Das Gerät darf nur



von autorisierten Fachleuten repariert werden.

• Verwenden Sie nur von Power Idea Technology (Shenzhen) Co., Ltd. zugelassenes Zubehör.



DE

- Schalten Sie das Gerät in Kliniken oder anderen medizinischen Einrichtungen aus. Dieses Gerät kann die Funktion von medizinischen Geräten wie Herzschrittmachern oder Hörhilfen beeinflussen. Halten Sie immer einen Sicherheitsabstand von mindestens 15 cm zwischen Gerät und einem Herzschrittmacher ein.
- Stellen Sie sicher, dass die Lautstärke beim Anschließen von Kopfhörern und Kopfhörern nicht zu hoch eingestellt ist, um Ihr Gehör zu schützen.
- Achten Sie bei der Verwendung des Geräts während der Steuerung eines Kraftfahrzeuges auf die entsprechenden Landesgesetze.
- Schalten Sie das Gerät aus und entfernen Sie das Ladekabel, bevor Sie das Gerät reinigen.
- Benutzen Sie keine chemischen Mittel zum Reinigen des Geräts oder des Ladegeräts. Reinigen Sie die Geräte mit einem weichen, angefeuchteten antistatischen Stofftuch.
- Das Netzteil muss in der Nähe der Ausrüstung aufgestellt werden und leicht zugänglich sein.
- Das Produkt darf nur mit einer USB-Schnittstelle der Version USB 2.0 verbunden werden.
- Akkus gehören NICHT in den Hausmüll. Als Verbraucher sind Sie dazu verpflichtet alte Akkus zur fachgerechten Entsorgung zurückzugeben.
- Für Schäden durch Computerviren, die beim Gebrauch der Internetfunktionen heruntergeladen werden, ist der Benutzer selbst verantwortlich. Ein Regressanspruch gegenüber der Power Idea Technology (Shenzhen) Co., Ltd. besteht nicht.

### Warnung

**Die Power Idea Technology (Shenzhen) Co., Ltd. übernimmt keine Haftung für Schäden, die durch Nichtbeachtung dieser Hinweise oder unsachgemäßen Gebrauch des Geräts entstehen.**

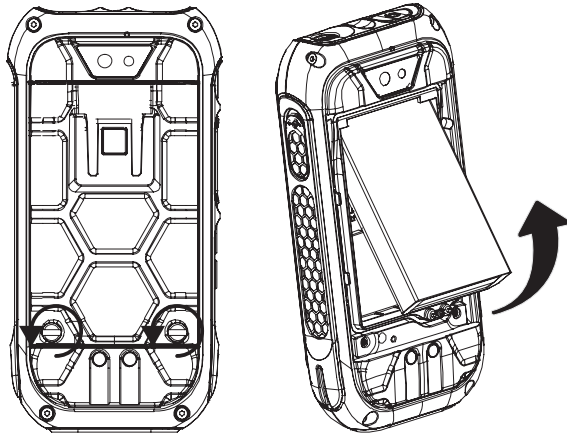
### 6. AKKU

Es besteht Explosionsgefahr, wenn der Akku durch einen falschen Akkutyp ersetzt wird. Entsorgen Sie verbrauchte Akkus gemäß den Anweisungen.

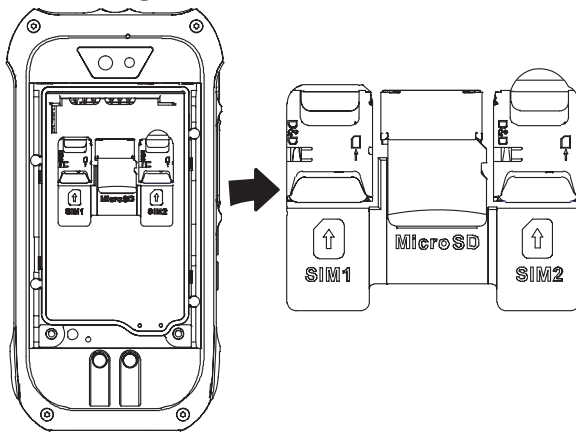
## 7. VORBEREITUNG

### 7.1 Einsetzen des Akkus & Einlegen von Micro-SIM-Karte und Micro-SD-Karte

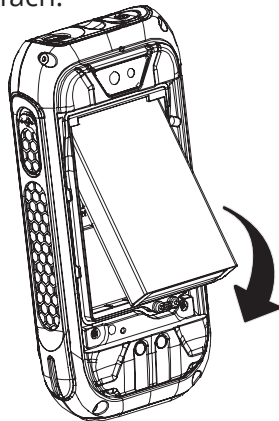
7.1.1 Drehen Sie die Schraube der Akkueinheit mit einem Schraubendreher wie abgebildet und entfernen Sie dann die Akkueinheit



7.1.2 Installieren Sie die Micro-SIM-Karte und die Micro-SD-Karte wie abgebildet.

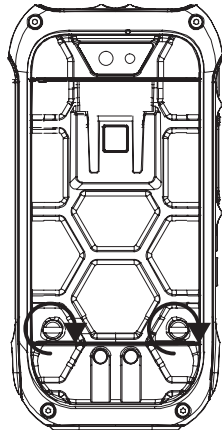


7.1.3 Nach dem Einlegen der Karten drücken Sie den Akku in das Akkufach.



7.1.4 Schließen Sie die Akkuabdeckung und drehen Sie die Schraube der Akkuabdeckung im Uhrzeigersinn.

DE

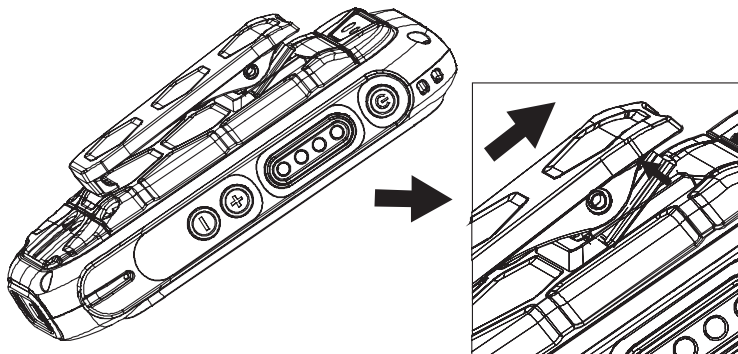


**Hinweis:**

**Bitte stellen Sie sicher, dass die Gummiabdeckung des Ohrhörers und der USB-Anschluss des Geräts perfekt abgedichtet sind, damit die Wasser- und Staubsichtigkeit gewährleistet wird.**

**Es wird keine nachträgliche, gesonderte Erklärung abgegeben.**

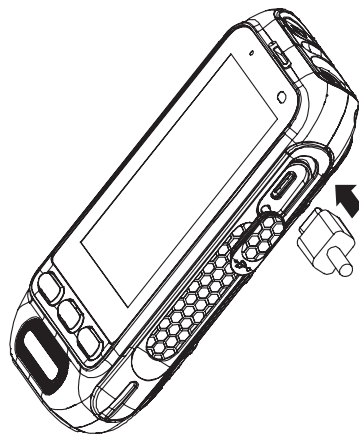
**7.2. Anbringen und Entfernen des Gürtelclips**



**7.3 AUFLADEN**

Das Modell RG360 unterstützt 5V/1A-Aufladung. Verwenden Sie nur RugGear-lizenzierte Ladegeräte und -kabel, da nicht-lizenzierte Produkte eine Explosion des Akkus verursachen oder das Gerät beschädigen können.

Das Gerät darf nur bei Umgebungstemperaturen von +0 °C bis +45 °C aufgeladen werden. Die normale Betriebstemperatur dieses Mobiltelefons liegt bei -10°C bis 50°C.



## 8. Vorstellung der Funktionen

### 8.1 PTT/Benutzerdefinierte Taste

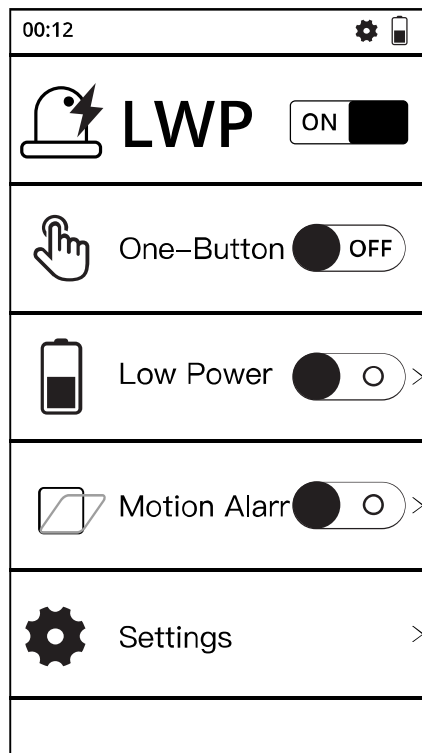
Die PTT-Taste ist auch diejenige, mit der benutzerdefinierte Funktionen verwendet werden können, so dass Sie gewünschte Merkmale auswählen und ändern können. Bei der ersten Verwendung müssen Sie dies in Ihrer APP (CustomKey) festlegen, siehe unten.

00:12		⚙️ 🔋
Customkey		
✕	Not in use	<input checked="" type="radio"/>
📞	PTT	<input type="radio"/>
🆘	SOS	<input type="radio"/>
🔒	Lock screen	<input type="radio"/>
📷	Camera	<input type="radio"/>
🔊✕	Vibrate/Silence	<input type="radio"/>
🧭	Navigation	<input type="radio"/>
📶	Bluetooth switch	<input type="radio"/>
📶	WiFi switch	<input type="radio"/>

## 8.2 Multifunktionaler Alarm (LWP)

Multifunktionaler Alarm bezieht sich auf die Funktion, die den Status des Mobiltelefons bei Bewegung und Ruhe erkennt und automatisch per Telefonanruf/SMS den Notfallkontakt benachrichtigt.

1. Standard-Passwort: 1122.
2. Nach dem erstmaligen Öffnen der Anwendung müssen Sie eine Standardtelefonnummer für den Alarm festlegen.
3. Wenn das Mobiltelefon zwei SIM-Karten verwendet, müssen Sie eine Standardtelefonnummer für Anrufe bzw. SMS festlegen



## 9. WIEDERVERWERTUNG

Das Symbol der durchgestrichenen Abfalltonne auf Rädern, das auf dem Produkt, auf dem Akku, in der Dokumentation oder auf dem Verpackungsmaterial zu finden ist, bedeutet, dass elektrische und elektronische Produkte, Batterien und Akkus am Ende ihrer Lebensdauer einer getrennten Müllsammlung zugeführt werden

müssen. Diese Vorschriften gelten in der Europäischen Union. Entsorgen Sie diese Produkte nicht über den

unsortierten Hausmüll. Entsorgen Sie gebrauchte elektronische Produkte, Akkus und Verpackungsmaterial stets



bei den entsprechenden Sammelstellen. Sie beugen so der unkontrollierten Müllbeseitigung vor und fördern die

Wiederverwertung von stofflichen Ressourcen. Weitere Informationen erhalten Sie über den Händler, bei dem Sie das Produkt erworben haben, von regionalen Abfallunternehmen, staatlichen Behörden für die Einhaltung der erweiterten Herstellerhaftung oder dem für Ihr Land oder Ihre Region zuständigen

**Power Idea Technology (Shenzhen) Co., Ltd.** Vertreter.

#### **10. INFORMATIONEN ZUR CE SAR ZERTIFIZIERUNG (SPE-ZIFISCHE ABSORBATIONSRATE)**

Der SAR-Grenzwert liegt in Europa bei 2,0 W/kg. Das Gerät wurde ebenfalls mit diesem Grenzwert getestet. Der

höchste SAR-Wert, der bei der Produktzertifizierung gemäß diesem Standard für die Verwendung am Körper gemessen wurde, beträgt 0.58 W/kg und getragen am Körper getragen ist 1.50 W / kg. Das Gerät wurde auf typische Situationen beim Tragen am Körper mit der Rückseite des Telefons in einem Abstand von 5 mm vom

Körper getestet. Das Gerät entspricht den HF-Spezifikationen, wenn es in einem Abstand von 5 mm vom Körper

verwendet wird. Achten Sie bei der Verwendung von Gürtelclips, Gürteltaschen und ähnlichem Zubehör darauf,

dass das Zubehör keine metallischen Gegenstände enthält. Der Einsatz von Zubehör, das diese Anforderungen nicht erfüllt, entspricht möglicherweise nicht den Richtlinien für HF-Exposition und ist nicht zulässig.

#### **11. WARENZEICHEN**

Alle weiteren Marken und Copyrights sind Eigentum ihrer jeweiligen Besitzer.

#### **12. GARANTIE**

• For European customers please check: <https://ruggear.com/warranty-terms/>

For Customers in Americas please check: <https://ruggear.com/terms-and-conditions-americas/>

• FCC-Informationen finden Sie unter [www.RugGear.com](http://www.RugGear.com). Sie finden diese Informationen im Abschnitt „Support“.

## ESPAÑOL

ES

### 1. Teclas y características especiales (véase la ilustración de la página 2)

**1\_Conector de audio de 3.5 mm:** Conecte el auricular de 3.5 mm o el micrófono talkback de 3.5 mm.

**2\_Botón SOS:** Manteniéndolo pulsado selecciona automáticamente el número de emergencia que se haya guardado. Esta función puede utilizarse solo junto con una aplicación LWP disponible opcionalmente.

**3\_Botón de encendido:** Mantenga pulsado para encender o apagar el dispositivo. Pulse brevemente para activar/desactivar el modo de espera.

**4\_Botón personalizado/PTT:** Mantenga pulsado el botón personalizado para activar la función de intercomunicación del software.

**5\_Botones de volumen:** Para subir/bajar el volumen.

**6\_Indicadores de LED:** Indicadores de LED de carga y notificación..

**7\_3 teclas de Android:** Tecla de inicio/Aplicación actual/ Tecla de entrada.

**8\_Micrófono principal:** se usa para llamar, hablar con PTT o grabar

**9\_Altavoz**

**10\_Interfaz USB:** Interfaz de tipo C para carga de teléfonos móviles y transmisión de datos.

**11\_Micrófono secundario:** con reducción de ruido, se utiliza para llamadas a manos libres

**12\_Cámara trasera**

**13\_Gancho de cinturón**

**14\_Cargador de escritorio Pogo**

## 2. INTRODUCCIÓN

Este documento contiene informaciones y prescripciones de seguridad que deben tenerse en cuenta sin falta para un funcionamiento seguro del dispositivo **RG360** en las condiciones descritas. El incumplimiento de estas informaciones e instrucciones puede tener consecuencias peligrosas o infringir la normativa.

Lea las instrucciones de uso y estas indicaciones de seguridad antes de utilizar el dispositivo. En caso de información contradictoria, tendrán prioridad las instrucciones inglesas de estas indicaciones de seguridad. La declaración de conformidad UE actual, los certificados, las instrucciones de seguridad y las guías están disponibles en [www.RugGear.com](http://www.RugGear.com) o directamente a través de **Power Idea Technology (Shenzhen) Co., Ltd.**

## 3. RESERVA

El contenido de este documento se basa en el funcionamiento actual del dispositivo. **Power Idea Technology (Shenzhen) Co., Ltd.** no acepta ninguna garantía, ya sea expresa o implícita por la exactitud o integridad de los contenidos de este documento, incluyendo, pero sin limitarse, las garantías implícitas de comerciabilidad y adecuación para un fin determinado, a menos que las leyes aplicables o la jurisprudencia prescriban obligatoriamente una responsabilidad.

**Power Idea Technology (Shenzhen) Co., Ltd.** se reserva el derecho a realizar en todo momento, sin información previa, modificaciones en este documento o a retirar dicho documento. Los cambios, errores o erratas no suponen ningún derecho a indemnización. Todos los derechos reservados.

**Power Idea Technology (Shenzhen) Co., Ltd.** no asumirá ninguna responsabilidad por las pérdidas de datos u otros daños de cualquier tipo que se originen como consecuencia de un uso inadecuado del dispositivo.

#### 4. DECLARACIÓN DE CONFORMIDAD UE

La declaración de conformidad UE se encuentra al final de estas instrucciones.



#### 5. OTRAS INDICACIONES DE SEGURIDAD

- No toque la pantalla del dispositivo con objetos punzantes. Las partículas de polvo y los clavos pueden rayar la pantalla. Mantenga limpia la pantalla. Utilice un paño suave con cuidado para retirar el polvo de la pantalla y no raye la superficie.
- No introduzca el dispositivo en entornos con temperaturas extremas porque la batería podría recalentarse e incendiarse o explotar.
- No cargue el dispositivo cerca de sustancias inflamables o explosivas.
- Cargue el dispositivo solo en espacios interiores secos.
- No cargue el dispositivo en entornos húmedos o polvorientos.
- No utilice el dispositivo en lugares en los que esté prohibido su uso.
- No exponga el dispositivo o el cargador a ningún campo magnético intenso, p. ej. los provenientes de hornos de inducción u hornos microondas.
- No abra el dispositivo por sí solo ni tampoco realice reparaciones por sí mismo. Las reparaciones incorrectas pueden provocar daños irreparables en el dispositivo, un incendio o incluso una explosión. El dispositivo



solo debe ser reparado por expertos autorizados.

- Utilice exclusivamente accesorios **Power Idea Technology (Shenzhen) Co., Ltd.** autorizados.
- Desconecte el dispositivo en hospitales u otros centros médicos. Este dispositivo puede influir en el funcionamiento de dispositivos médicos como marcapasos o audífonos. Mantenga siempre una distancia de seguridad de mínimo 15 cm entre el dispositivo y un marcapasos.
- Asegúrese de que el nivel de volumen no esté demasiado alto cuando conecte audífonos y auriculares para proteger su audición.
- En caso de que use el dispositivo mientras conduce un vehículo, respete la legislación vigente que corresponda.
- Desconecte el dispositivo y retire el cable de carga antes de limpiar el dispositivo.
- No utilice productos químicos para la limpieza del dispositivo ni del cargador. Limpie el dispositivo con un paño suave y antiestático humedecido.
- El adaptador debe estar instalado cerca del equipo y debe ser fácilmente accesible.
- El producto solo se debe conectar a una interfaz USB de la versión USB2.0.
- Las baterías no están en la basura doméstica. Como consumidor, usted está obligado a devolver las pilas usadas para su correcta eliminación.
- El usuario será el único responsable de los daños y otras obligaciones que pudieran surgir de la descarga de malware al utilizar la red u otras funciones de intercambio de datos del dispositivo. **Power Idea Technology (Shenzhen) Co., Ltd.** no se hace responsable de las reclamaciones que pudieran derivarse de ello.



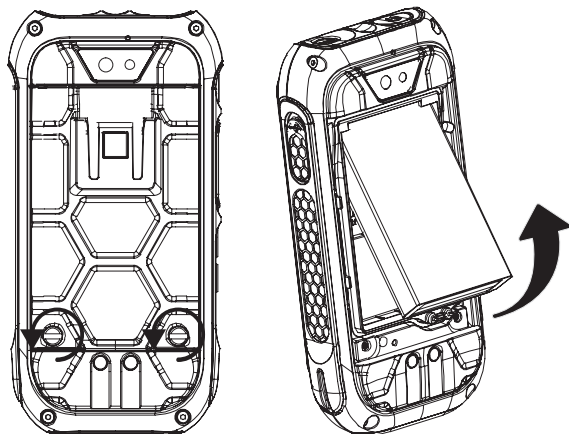
## 6. BATERÍA

Existe riesgo de explosión si la batería se reemplaza con otra de tipo incorrecto. Elimine las baterías usadas de conformidad con las instrucciones.

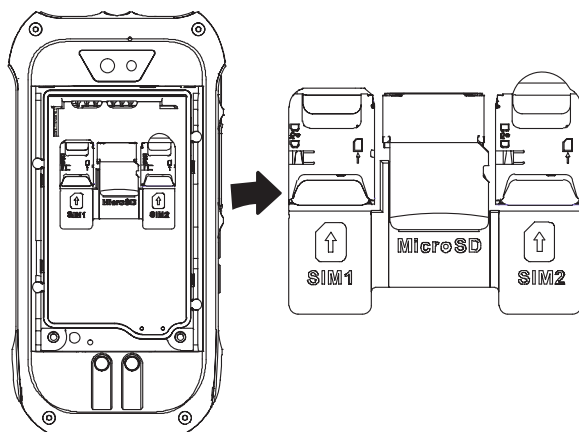
## 7. PREPARACIÓN

### 7.1 Colocar y quitar la batería/Colocar la tarjeta micro SIM y la tarjeta micro SD

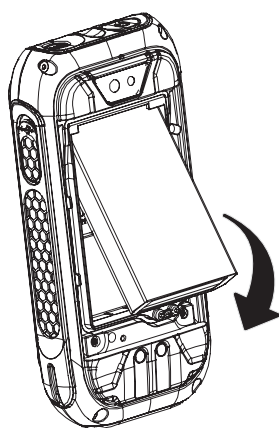
7.1.1 Gire el tornillo del conjunto de la batería con un destornillador, como se muestra en la figura, y extraiga el conjunto de la batería.



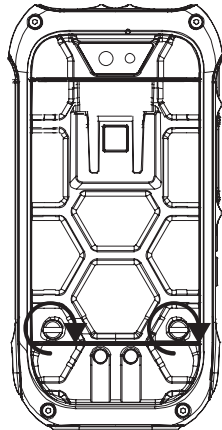
7.1.2 Coloque la tarjeta micro SIM o la tarjeta micro SD como se muestra en la figura.



7.1.3 Después de colocar las tarjetas, presione la batería en el compartimento de la batería.



7.1.4 Cierre la tapa de la batería y gire el tornillo de la tapa en sentido horario.

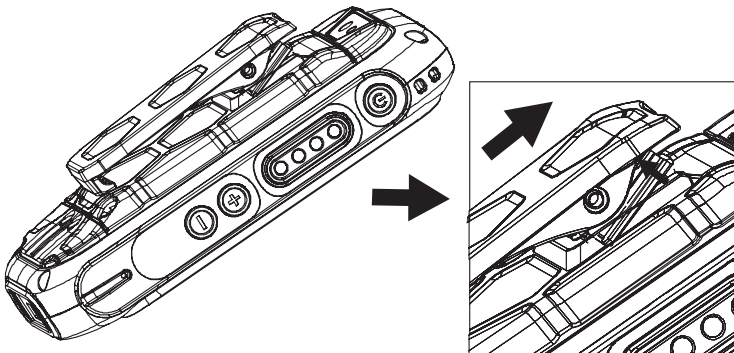
**Nota:**

Asegúrese de que la tapa de goma del auricular y el conector USB del dispositivo estén bien ajustados, para que la función de estanqueidad al agua y al polvo funcione correctamente.

A continuación no se darán más advertencias al respecto.

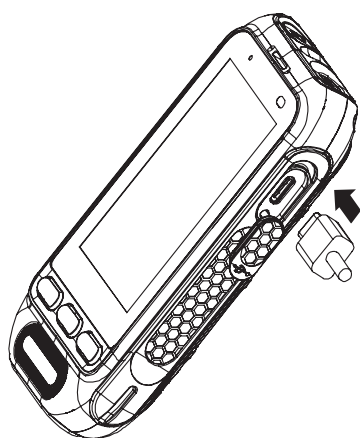
**7.2. Colocar y quitar el gancho de cinturón**

Tal como se muestra

**7.3 CARGA**

El RG360 admite cargadores de 5 V/1 A. Use solo cargadores y cables con licencia de RugGear porque los productos sin licencia podrían causar la explosión de la batería o dañar el dispositivo.

El dispositivo se puede cargar solo a una temperatura ambiente comprendida entre +0 °C y +45 °C. La temperatura normal de funcionamiento de este teléfono móvil es de -10°C a 50 °C.



## 8. Introducción a las funciones

### 8.1 Botón personalizado/PTT

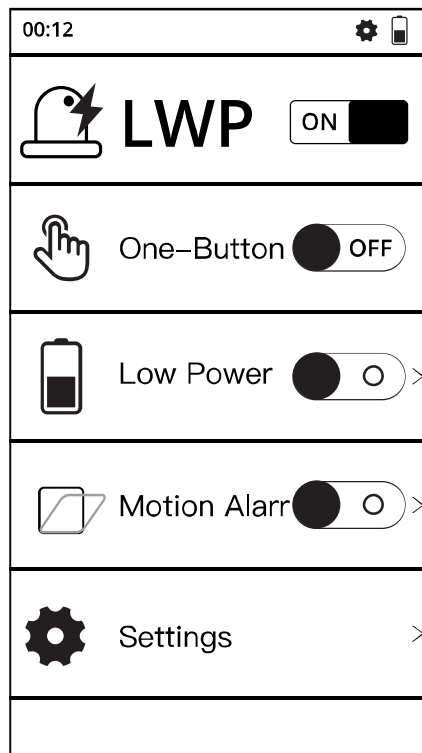
El botón PTT funciona también como tecla de función personalizada, para poder elegir y modificar las características que se deseen. Si lo usa por primera vez, debe ajustarlo en su aplicación (CustomKey), como se indica abajo

00:12		⚙️ 📶
Customkey		
✕	Not in use	<input checked="" type="radio"/>
📞	PTT	<input type="radio"/>
🆘	SOS	<input type="radio"/>
🔒	Lock screen	<input type="radio"/>
📷	Camera	<input type="radio"/>
🔊✕	Vibrate/Silence	<input type="radio"/>
📍	Navigation	<input type="radio"/>
📶	Bluetooth switch	<input type="radio"/>
📶	WiFi switch	<input type="radio"/>

## 8.2 Alarma multifunción (LWP)

La alarma multifunción se refiere a la función que detecta el estado del teléfono móvil durante el movimiento y el reposo y lo notifica automáticamente al contacto de emergencia a través de una llamada telefónica/SMS.

1. Contraseña predeterminada: 1122.
2. Después de abrir la aplicación por primera vez, debe establecer un número de teléfono predeterminado para la alarma.
3. Si el teléfono móvil utiliza dos tarjetas SIM, debe establecer un número de teléfono predeterminado de marcación/SMS



## 9. RECICLAJE

El contenedor de basura tachado que aparece en el producto, en la batería, en la documentación o en el embalaje indica que todos los productos eléctricos y electrónicos, pilas y acumuladores deben llevarse a los puntos de recogida selectiva al final de su vida útil. Este requisito se aplica en la Unión Europea. No deseches estos productos como residuos urbanos no seleccionados. Devuelva siempre los productos electrónicos, las pilas y el material de embalaje usados a los puntos específicos de recogida. De este modo ayudará a prevenir la eliminación incontrolada de residuos y a fomentar el recicla-



je de los materiales. Puede obtener más información a través del distribuidor minorista del producto, las autoridades locales encargadas de la gestión de residuos, las organizaciones nacionales competentes en materia de responsabilidad de los productores o el representante local de **Power Idea Technology (Shenzhen) Co., Ltd.**

#### **10. INFORMACIÓN SOBRE LA CERTIFICACIÓN CE SAR (SPECIFIC ABSORPTION RATE O TASA DE ABSORCIÓN ESPECÍFICA)**

El límite de la SAR en Europa es de 2,0 W/kg. El dispositivo también se ha probado con este límite de la SAR. El valor de la SAR máximo según la información suministrada bajo este estándar durante la certificación del producto para su uso en el cuerpo es de 0.58 W/kg y cuando se usa usado en el cuerpo es de 1.50 W / kg. El dispositivo se ha probado en operaciones habituales de uso en el cuerpo con la parte posterior del teléfono situada a 5mm del cuerpo. El dispositivo cumple las especificaciones de radiofrecuencia cuando se utiliza a 5 mm del cuerpo. Los clips para cinturón, fundas y accesorios similares que se puedan utilizar no deben contener componentes metálicos. Es posible que el uso de accesorios que no cumplan estos requisitos no se ajuste a los requisitos de exposición a RF y debe evitarse.

#### **11. MARCAS COMERCIALES**

Todas las demás marcas comerciales y derechos de autor son propiedad de sus respectivos dueños.

#### **12. GARANTÍA**

- Para los clientes europeos, compruebe: <https://ruggear.com/warranty-terms/>
- Para los clientes de América, consulte: <https://ruggear.com/es/terms-and-conditions-americas/>
- Para obtener información de la FCC, vaya a [www.RugGear.com](http://www.RugGear.com) y búsquelo en la sección „Soporte“.

## РУССКИЙ

RU

### **1. Клавиши и особые функции (см. рисунок на стр. 2)**

**1\_Гнездо под гарнитуру 3,5 мм:** позволяет подключить гарнитуру 3,5 мм или микрофон служебной связи 3,5 мм

**2\_Кнопка SOS:** длительное нажатие автоматически выбирает сохраненный вами ранее номер экстренного вызова. Эта функция доступна только в сочетании с дополнительным приложением LWP.

**3\_Кнопка питания:** при длительном нажатии включает/выключает питание устройства. при коротком нажатии включает/выключает режим ожидания устройства

**4\_Кнопка передачи/пользовательская кнопка:** Длительное нажатие пользовательской клавиши позволяет включить программную служебную связь.

**5\_Кнопки громкости:** кнопка повышения/снижения громкости.

**6\_Индикаторный светодиод:** индикаторные светодиоды состояния заряда батареи и уведомлений.

**7\_3 клавиши Android:** клавиша главного экрана/текущего приложения/возврата

**8\_Главный микрофон:** используется во время вызовов, передаче или записи

**9\_Динамик**

**10\_Интерфейс USB:** интерфейс типа C для зарядки мобильных телефонов и передачи данных.

**11\_Дополнительный микрофон:** снижает шум и используется для громкой связи

**12\_Задняя камера**

**13\_Зажим для крепления к поясному ремню**

**14\_Настольное зарядное устройство Pogo**

## **2. ВВЕДЕНИЕ**

Этот документ содержит предписания и правила техники безопасности, которые необходимо соблюдать для обеспечения безопасной работы устройства **RG360** в описанных условиях. Неисполнение данных предписаний и требований может иметь опасные последствия или может являться нарушением правил техники безопасности. Прочтите инструкцию по эксплуатации и инструкцию по технике безопасности перед использованием устройства. В случае возникновения противоречий действительны английские требования в данных правилах техники безопасности. Действующую Декларацию о соответствии нормам ЕС, сертификаты,

инструкции по технике безопасности и руководства пользователей можно найти на сайте **www.RugGear.com** или запросить в **Power Idea Technology (Shenzhen) Co., Ltd.**

### 3. ОГОВОРКА

Содержание этого документа основано на текущих функциях устройства. Общество с ограниченной ответственностью Power Idea Technology (Shenzhen) Co., Ltd. не берет на себя никакой ответственности с четким указанием на это или без четкого указания на это за правильность или полноту содержания этого документа, включая подразумеваемую гарантию, не ограничиваясь ней, годности для рынка и годности для определенной цели, за исключением случаев, когда применимые законы или правовые положения в обязательном порядке предписывают ответственность. Общество с ограниченной ответственностью Power Idea Technology (Shenzhen) Co., Ltd. оставляет за собой право в любое время и без предварительного уведомления производить изменения в этом документе или отзывать документ. Изменения, ошибки и опечатки не являются основанием для требования возмещения ущерба. Все права защищены. За потерю данных или другой ущерб любого рода, вызванный неправильным применением устройства, **Power Idea Technology (Shenzhen) Co., Ltd.** не несет никакой ответственности.

### 4. ДЕКЛАРАЦИЯ СООТВЕТСТВИЯ ЕС

Декларация соответствия ЕС приведена в конце этого руководства.



### 5. ДОПОЛНИТЕЛЬНЫЕ УКАЗАНИЯ ПО БЕЗОПАСНОСТИ

- Не прикасайтесь к экрану устройства мобильной связи острыми предметами. Вы можете поцарапать экран ногтями или частицами пыли. Пожалуйста, содержите экран в чистоте. Аккуратно очищайте экран от пыли с помощью мягкой ткани и следите за тем, чтобы не поцарапать экран.
- Избегайте нахождения устройства в зонах повышенной температуры. Это может привести к нагреву аккумулятора с последующим возгоранием или взрывом.
- Не заряжайте устройство возле горючих или



взрывчатых веществ.

- Заряжайте устройство только в сухих помещениях.
- Не заряжайте устройство во влажных или запыленных условиях.
- Не пользуйтесь устройством в местах, где это запрещено.
- Не подвергайте устройство или зарядное устройство воздействию сильных магнитных полей, например от индукционных плит или микроволновых печей.
- Не пытайтесь самостоятельно разбирать и ремонтировать устройство. Ненадлежащий ремонт может привести к выходу устройства из строя, пожару или взрыву. Ремонт устройства должны выполнять только квалифицированные специалисты.
- Используйте только принадлежности, допущенные компанией Power Idea Technology (Shenzhen) Co., Ltd..

• Выключайте устройство в клиниках и других медицинских учреждениях. Это устройство может



нарушить работу медицинских приборов, например кардиостимуляторов или слуховых аппаратов.

Всегда соблюдайте расстояние не менее 15 см между устройством и кардиостимулятором.

- Убедитесь, что уровень громкости не установлен слишком высоким при подключении наушников и наушников для защиты слуха.
- При использовании устройства во время управления автомобилем соблюдайте соответствующие правила.
- Перед очисткой выключите устройство и отсоедините зарядный кабель.
- Не используйте химические вещества для очистки устройства или зарядного устройства. Очищайте устройства влажной мягкой антистатической тканью.
- Адаптер должен быть установлен вблизи оборудования и должен быть легко доступен.
- Продукт должен подключаться только к USB-разъему версии USB2.0.
- Батареи не в бытовых отходов. Как потребитель вы обязаны сдавать использованные аккумуляторы на утилизацию в уполномоченную компанию.
- загружаемыми из интернета или при использовании других функций обмена данными устройства

мобильной связи, несет исключительно пользователь. Компания Power Idea Technology (Shenzhen) Co., Ltd. не может быть привлечена к ответственности по любому из данных исков.

**Предупреждение**  
**Power Idea Technology (Shenzhen) Co., Ltd. не несет ответственности за ущерб, причиненный вследствие несоблюдения данных рекомендаций или неправильного использования устройства мобильной связи.**

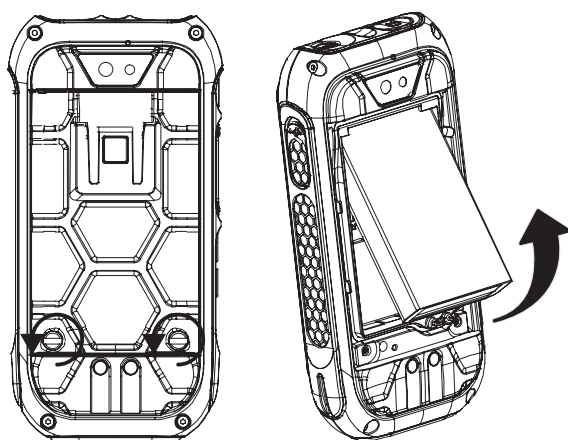
## **6. АККУМУЛЯТОРНАЯ БАТАРЕЯ**

Замена на аккумуляторную батарею неправильного типа создает риск взрыва. Утилизируйте батареи согласно инструкциям.

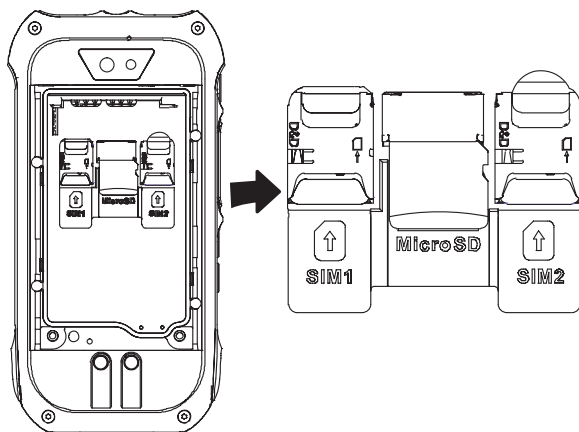
## **7. ПОДГОТОВКА**

### **7.1 Установка батареи/установка карт Micro SIM и Micro SD**

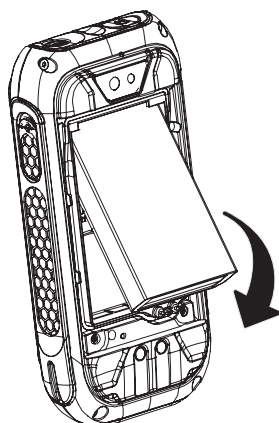
7.1.1 Выверните винт крышки батарейного отсека с помощью отвертки, как показано на рисунке, затем извлеките аккумуляторную батарею.



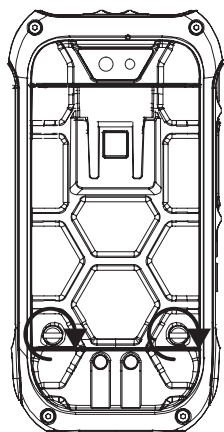
7.1.2 Установите карты Micro SIM и Micro SD, как показано на рисунке.



7.1.3 Вставив карты, вставьте батарею обратно в батарейный отсек.



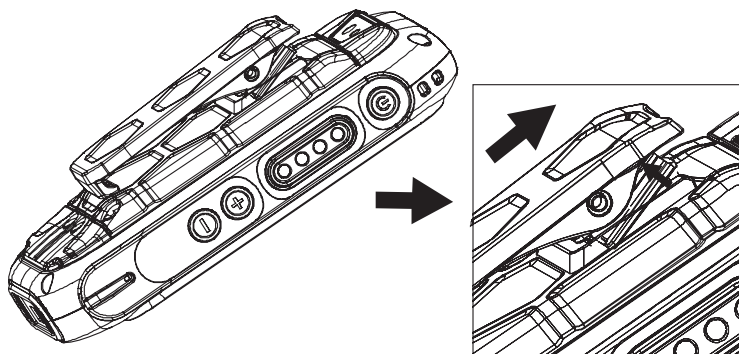
7.1.4 Закройте крышку батарейного отсека и затяните винт крышки батарейного отсека по часовой стрелке.



**Примечание.**  
Убедитесь, что резиновые кожухи гнезда

для наушников и USB-разъема устройства полностью герметичны и обеспечивают его водо- и пыленепроницаемость. Далее это отдельно упоминаться не будет.

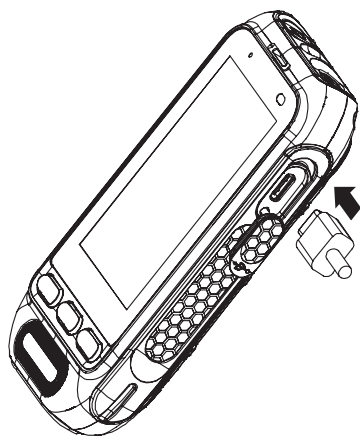
## 7.2. Установка и разборка зажима для крепления к поясному ремню



## 7.3 ЗАРЯДКА

RG360 поддерживает зарядку 5 В/1 А; используйте только лицензированные RugGear зарядные устройства и кабели, так как нелегальные устройства могут привести к взрыву батареи или повредить ваше устройство.

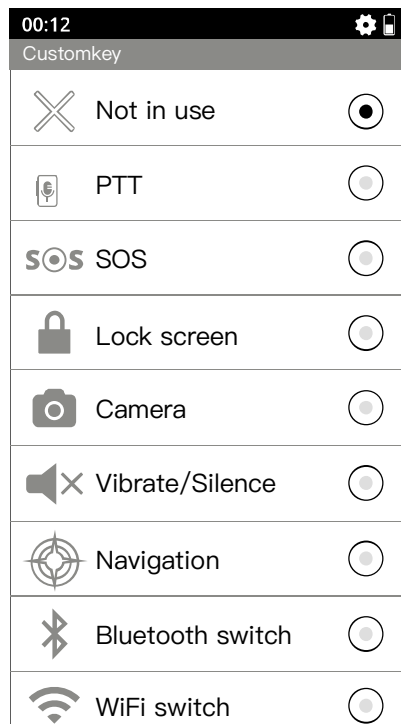
Устройство допускается заряжать только при температуре окружающего воздуха от +0 °С до +45 °С. Рабочий диапазон температуры данного мобильного телефона составляет от -10 °С до 50 °С.



## 8. Введение в функции

### 8.1 Кнопка передачи/кнопка настройки

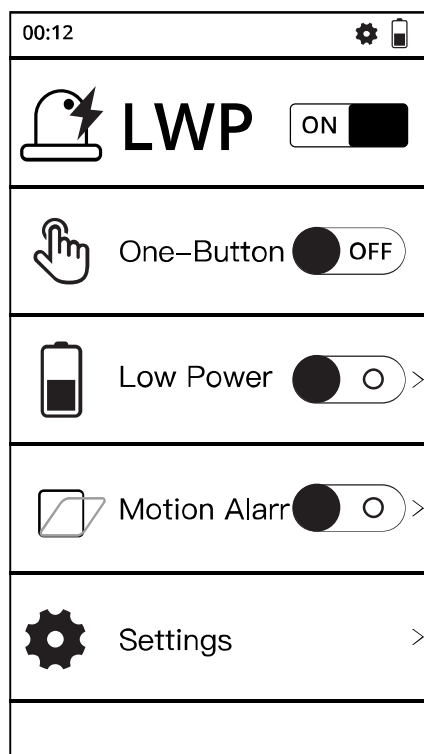
Кнопка передачи также используется для настройки функциональных клавиш, что позволяет выбирать и изменять нужные функции. При первом использовании, ее необходимо настроить в приложении (CustomKey), как показано ниже



## 8.2 Многофункциональная сигнализация (LWP)

Многофункциональная сигнализация является функцией, которая определяет состояние мобильного телефона при движении и в неподвижном состоянии и автоматически оповещает контактное лицо для экстренной связи по телефону/через SMS.

1. Пароль по умолчанию: 1122.
2. При первом использовании приложения, вам понадобится установить номер телефона по умолчанию для сигнализации.
3. Если мобильный телефон использует две SIM-карты, то вам необходимо будет установить номер телефона по умолчанию для звонков/SMS



## 9. ПЕРЕРАБОТКА

Знак перечеркнутого мусорного контейнера на самом изделии, его аккумуляторе, в сопроводительной документации или на упаковке означает, что все электрические и электронные изделия, батареи и аккумуляторы подлежат отдельной утилизации после завершения срока службы. Данное требование применяется в странах Европейского Союза. Не утилизируйте данные изделия вместе с неотсортированными городскими отходами. Всегда возвращайте отработанные электронные изделия, аккумуляторы и упаковочные материалы в специальные пункты сбора. Это позволит предотвратить неконтролируемые выбросы отходов и способствует повторному использованию материалов.



Более подробную информацию можно получить у поставщика изделия, местных учреждений по утилизации, организаций, ответственных за отечественных производителей, или у регионального представителя Power Idea Technology (Shenzhen) Co., Ltd..

## 10. ИНФОРМАЦИЯ О СЕРТИФИКАЦИИ CE SAR

**(УДЕЛЬНЫЙ КОЭФФИЦИЕНТ ПОГЛОЩЕНИЯ)**

Предел SAR в Европе составляет 2,0 Вт / кг.

Устройство также было проверено на соответствие этому

пределу SAR. Наивысшее значение SAR, указанное в этом стандарте при сертификации продукции для использования на ухе, составляет 0.58 Вт / кг и при правильном износе на теле Это 1.50 Вт / кг. Это устройство было протестировано для типичных операций с корпусом, когда задняя часть инструкции хранилась на расстоянии 5 мм от корпуса.

Устройство соответствует спецификациям RF, когда устройство

используется на расстоянии 5 мм от вашего тела.

Скобы и аналогичные аксессуары не должны содержать

металлических компонентов в сборке.

Использование аксессуаров, которые не удовлетворяют этим

требованиям, может не соответствовать требованиям к воздействию радиочастот, и их следует избегать.

**11. ТОРГОВЫЕ МАРКИ**

Все прочие торговые марки и авторские права являются собственностью соответствующих владельцев.

**12. ГАРАНТИЯ**

• Для европейских клиентов, пожалуйста, проверьте: <https://ruggear.com/warranty-terms/>

Для клиентов в Северной и Южной Америке, пожалуйста, проверьте: <https://ruggear.com/terms-and-conditionsamericas/>

• Информацию FCC можно найти на сайте [www.RugGear.com](http://www.RugGear.com) и найти в разделе «Поддержка».

## ةيبرعلا

- 2) ةحفصلال ي ف دراو ل لكش ل رظنا) ةصاخ ل تازي مل او حي تافم ل  
3.5 ساقم س أ ر ةعام س ب هل يصوتب مق :ملم 3.5 س أ ر ةعام س ل صوم \_1  
مم 3.5 ساقم لاصتالا ي ل ع درلا ن وفوركي م و أ مم  
مقر دي دحت متيس ةل يوط ةرتفل طغض ل دن ع :ئراوطلا رز \_2  
هذه مادختسا نكم ي الو . أي ئاقل ت هن يزختب ت مق ي ذل ا ئراوطلا  
أي رايتخا حاتم ل LWP قي ببطت عم ال ا ةفي طول  
طغضا . زاهج ل لي غشت فاق ي ال لي غشت ل آل وطم طغضا : ةق اطل ا رز \_3  
دادعتسا ال عض و لي غشت فاق ي ال لي غشت ل قري صق ةطغض  
حاتفم ل ي ل ع آل وطم طغضا : ص صخ م ل رزل / PTT ع فدل ا رز \_4  
لاصتالا ي ل ع درلا ةجرب ني كم متل ص صخ م ل  
توصل ا ض ف خ / توصل ا عفرل : توصل ا يوتسم رارز أ \_5  
تاراعش ال او ن حش ل ل LED ح ي باصم رش وم : LED رش وم \_6  
/ ةسي سي ئرلا ةحفصل ا حاتفم : ي ه ، ةثال ثل ا Android ح ي تافم \_7  
ةدوع ل ا حاتفم / ي ل ا ح ل ا قي ببطت ل ا حاتفم  
ربع شدحت ل ا و ل ا ل ا ل ا دن ع مدختس ي : سي سي ئرلا ن وفوركي م ل ا \_8  
لي ج س ت ل ا و PTT طغض ل ا رز  
:توصل ل ربكم \_9  
لقن و ةلوم ح م ل ا فتاوه ل ا ن حش ل C عون نم ةه جاو : USB ةه جاو \_10  
. تان ا ي ب ل ا  
ءارج ل ا مدختس ي و ءاض و ض ل ا ض ف خ ل : ي ع ر ف ل ا ن وفوركي م ل ا \_11  
ني دي ل ا مادختسا نود تامل كم  
ةي ف ل خ ل ا ري م الك ل \_12  
ر ص خ ل ا ك ب ش م \_13  
ي ب ت ك م ل ا و ج و ب ن ح اش \_14

## 2. ةمدقم

ءاعبا ت ا ب جي ي ت ل ا ةم ال س ل ا دع ا و ق و تامل عم ي ل ع دن ت س م ل ا اذه يوت ح  
دق . ةحض و م ل ا فورظ ل ا لظ ي ف زاهج ل نم ال ا لي غشت ل ا ل ج ا نم ق ف ا خ ا ل ب  
مدع ن ع ج تني  
ي ل ا ك ل ذ ي دوي دق و أ و قري ط خ ج ئا ت ن تامل ي ل ع ت ل ا و تامل عم ل ا هذه ةاعارم  
ةي راس ج ئ اول كاهت ن ا  
! زاهج ل ا اذه مادختسا ل ب ق هذه نام ال ا تامل ي ل ع ت و لي ل د ل ا ي ل ع ع ال طال ا ج ر  
ي ن ا م ل ا ل ا رادص ال ا ي رسي ، ك ش ي ا ثودح ل ا ح ي ف  
ي ل ا ح ل ا ي ب و ر و ال ا دا ح ت ال ا عم ق ف ا و ت ل ا ن ال ع ا ي ل ع ر و ش ع ل ا ن ك م ي  
ع ق و م ي ل ع ة ل د ال ا و نام ال ا تامل ي ل ع ت و  
ن ك م ي و ا . Power Idea Technology (Shenzhen) Co., Ltd.  
www.ruggear.com ةك رش نم ا ب ل ط

## 3. ظفح ل ا

مدقت ال . ل ع ف ل ا ب د و ج و م و ه امك دن ت س م ل ا اذه يوت ح م ي دقت متي  
Power Idea Technology (Shenzhen) Co., Ltd. ةك رش  
ام ب هل امك و ا دن ت س م ل ا اذه يوت ح م ق ق د ي ل ع أي نمض و ا أ ح ي ر ص نامض ي ا  
متبس ان م ل ي نمض ل ا نامض ل ا ، ر ص ح ل ا ال ل ا ش م ل ا ل ي ب س ي ل ع ، ك ل ذ ي ف  
ةم ع ال م ل ا و ا ق و س ل ل  
مازل ل ا ا ةم ك ح م ل ا تارارق و ا ةي راس ل ا ن ي ن ا و ق ل ا ض ر ف ت م ل ا م د د ح م ض ر غ ل  
ةي ل و و س م ل ا ل م ح ت ب  
Power Idea Technology (Shenzhen) Co., Ltd. ةك رش ظفحت



نودب تقو ي ا يف هب حسب و ا دن تست مل اذه اولع تاريخي غت اراج ق حب  
ال. ق باس راعش!  
ي ا س اس ا ك ة ي عب طمل ا ط خ ا ل و ا ط خ ا ل و ا تاريخي غت ا م ا د خ ت س ا ز و ج ي  
ظ و ف ح م ق و ق ح ل ا ع ي م ج . ت ا ض ي و ع ت ل ا ب ق ب ل ا ط م  
Power Idea Technology (Shenzhen) Co.,  
و ا ق ر ش ا ب م ت ا ي ف ل ت و ا ر خ ا ن ا د ق ف ي ا و ا ت ا ن ا ي ب ن ا د ق ف ة ي ل و و س م . Ltd  
ق ر ش ا ب م . ر ي غ  
ز ا ه ج ل ا ا ذ ه ل ح ي ح ص ر ي غ م ا د خ ت س ا ي ا ب ب س ب ج ت ن ت

ي بور و ا ل ا د ا ح ت ا ل ا ع م ق ف ا و ت ل ا ن ا ل ع ا  
ي ف ي بور و ا ل ا د ا ح ت ا ل ا ع م ق ف ا و ت ل ا ن ا ل ع ا ي ل ع ر و ث ع ل ا ن ك م ي  
ل ي ل د ل ا ا ذ ه ة ي ا ه ن



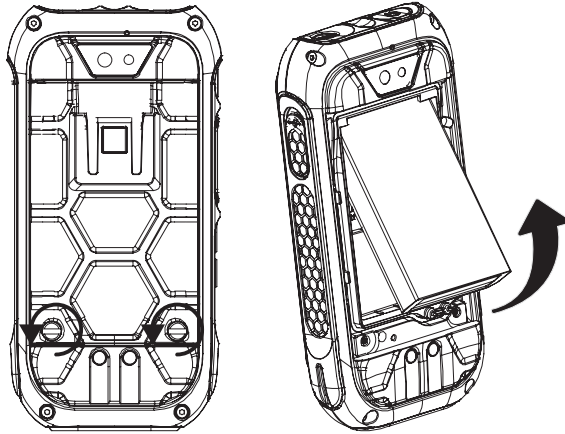
ق م ا ل س ل ا ح ي ا ص ن ن م د ي ز م  
ر ا ب غ ل ا ت ا ي ز ج ش د خ ت د ق . ة د ا ح ت ا و ا د ا ب ز ا ه ج ل ا ق ش ا ش س م ل ت ا ل  
ق ل ا ز ا ب م ق . ق ش ا ش ل ا ق ف ا ظ ن ي ل ع ظ ا ف ح ل ا ي ج ر ي . ة ش ا ش ل ا ر ي م ا س م ل ا و  
ة ع ط ق م ا د خ ت س ا ب ق ش ا ش ل ا ن م ق ب ر ت ا ل ا  
ق ش ا ش ل ا ش د خ ت ا ل و ، ق ف ر ب ش ا م ق  
ي د و ي د ق ل ك ل ذ ن ا ل ، ق ط ر ف م ق ر ا ر ح ت ا ج ر د ت ا ذ ت ا ي ب ي ف ز a ه ج ل ا ع ض ت ا ل  
ر ا ج ف ن ا و ا ق ي ر ح ب و ش ن ي ل ا ي د و ي ن ا ن ك م ي و ، ة ي ر ا ط ب ل ا ق ن و خ س ي ل ا  
ق ر ج ف ت م د ا و م و ا ل ا ع ت ش a ل ل ق ل ب ا ق د a و م ي ا ن م ب ر ق ل a ب ز a ه ج l ا ن ح ش ت a ل  
ط ق ف ل ز ن م l ا ل خ a د Z a ه ج l a ن ح ش a  
ق ب و ط ر ل a و a ق ب ر T a l a ن م ر ي ش K l a ا ه ب T a i y i ب ي ف Z a ه ج l a ن ح ش T a l  
و a ح ي a و l l a ا ه ي ف ع ن م T ي T l a ق ط ا ن M l a ي ف Z a ه ج l a M د خ T s T a l  
م ا د خ T s a ة ي ع ي ر ش T l a N i n a و Q l a  
ل T m ، ة ي و Q l a ة ي س ي ط ا ن غ M l a T a l a ج M l l ن ح ا ش T l a و a Z a ه ج l a ض R e T a l  
ق ز ه ج a و a ي ب ر ه K l a T a ح l a B l م ع T ي T l a ن a ر F a l a N م T a C b N M l a T a l a ج M l a  
F i y o r K i a M l a  
ح T F l a و a ح a l v l a ي د و ي D q . ه C a l v l a و a Z a ه ج l a ح T F ي ل ع M D q T a l  
ح و م س م R i G . ه ر a ج F n a و a ه ل a ع ش a و a Z a ه ج l a R i M D T ي l a ح ي ح V l a R i G  
ق ط س a و B l a Z a ه ج l a ح a l v l a B  
Power Idea  
ت ا ق ح M l a ط ق F M د خ T s a  
Technology (Shenzhen) Co., Ltd.  
ي T l a ي R x l a N K a M l a و a T a i F s T s M l a ي ف Z a ه ج l a L i G s T b M q T a l  
ي ل ع Z a ه ج l a ا ذ ه R t o u i D q . ق l a و J l a F t a و h l a M a D X T s a ا ه ي F E n M i  
ل T m ، ة ي B p l a ق Z e J a l l M i l S l a L i G s T l a  
M s 15 ا R D q ق ف a S a M ي ل ع a م i a D ظ F a C . B l q l a T a B r u s M i Z n T Q Z e J a  
ق Z e J a l a ه ذ ه و Z a ه ج l a N i B l q l a ي ل ع  
T o v s l a ي و T s M ط B v s M D e N M D k a T ، S a R l a T a C a M s l a X D l a D n C  
E M S l a ة ي a M J l a D j l a C T o v s B  
ة ي N E M l a N a D l B l a ي F ق Z o R F M l a ة ي R a S l a N i n a و Q l a E i M J Q a C a R M B M q  
T a B K R M l a ق D a i q E a n T a Q Z e J a l a M a D X T s a S o v s X B  
Z a ه ج l a F i Z n T l B q N C h S l a l B a K l S v F o Z a ه ج l a F a q i y i J r  
N C h S l a و a Z a ه ج l a F i Z n T l ة ي i a M i K F i Z n T D a o M ي a M D X T s T a l  
F i Z n T l l ة ي K i T a T s a l a E a B r e K l l Q D a z M o ة B T R ة ع ط Q M D X T s a  
ل ه S N o K i N a B J i o Z a ه ج l a N M B r q l a B i a M l a B i K r T B J i  
ه ي l a L o v s o l a  
R a D v s l a N M ة ه J a o B l a J T N M l a L i V s o T M D e B J i  
T a l M e M l a ي F ق l M e M l a و Q M i D q l a M o i T h i l l a T a i R a T B l a N M S l X T T a l

تاي افنلا نم صلختلل ةصصخما نكامألا ىلا اهل سرأ نكلو  
تامأزلال او تاي فلتل لكو ي أ نع لوؤسما وه مدحو مدختسما  
مادختسا دنع اهل يزنت مت يتلا ةراضلا جماربلا لعفب شدحت يتلا  
تاناي بلا لدابت فئاظو وأ ةكبشلا  
ةكشرش زاهجلل ىرخألا  
**Power Idea Technology**  
(Shenzhen) Co., Ltd. تابل اظملا هذه نم ي أ نع ةلوؤسم ريغ

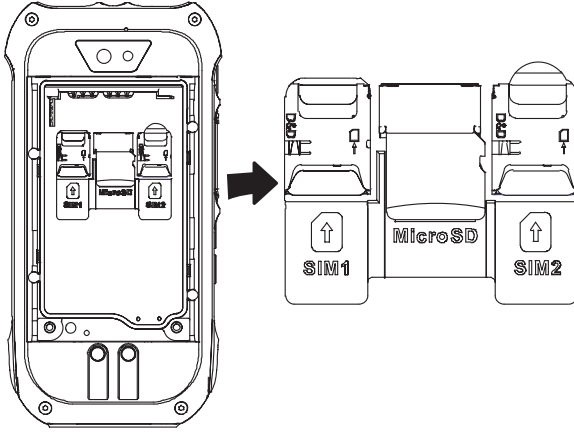
ريذحت  
**Power Idea Technology (Shenzhen) Co.,**  
نم ي أ لافغ! ببسب شدحت يتلا تاي فلتل حاجت ةي لوؤسم ةي **Ltd.**  
وأ حئاصنلا هذه  
زاهجلل حيحص ريغ مادختسا ي أ ببسب

6. ةيراطبلا  
عوقوب رطاخم كان هف ،بس انم ريغ رخآ عونب ةيراطبلا تلدبتسأ اذا  
أقفو ةلمعتسما تاي راطبلا نم صلخت .راجفنا  
تاميل عتلل

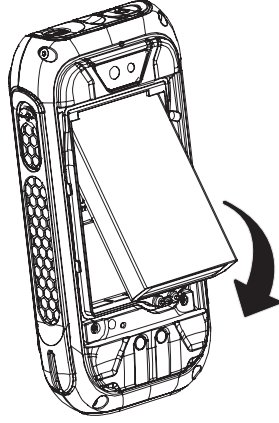
7. دادعالا  
7.1 ةيراطبلا بيكترت / ةيراطبلا بيكترت  
7.1.1 ةيراطبلا ةعومجم يغب ردا  
7.1.2 ةيراطبلا ةعومجم ةلازاب مق مت ،ةروصلا



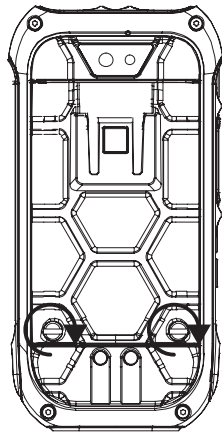
7.1.2 ةيراطبلا ةعومجم ةلازاب مق مت ،ةروصلا  
وه امك **Micro SD** ةيراطبو **Micro SIM** ةيراطبلا بيكترت مق  
ةروصلا يغب حضم



7.1.3 ناكم لخد اةيراطبلا ىلع طغضا ،تاقاطبلا بيكرت دعب  
ةيراطبلا



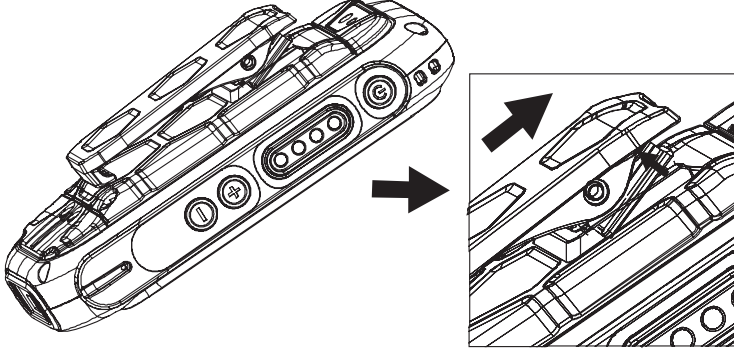
7.1.4 حاجتاب اةيراطبلا ااطغ يغب ارااب مقو اةيراطبلا ااطغ قلغأ  
ةعاسلا براقع



ةظالم  
USB لصومو نذال اعامسل يطاطملا ااطغلا نأ نم دكاتلا ىجرى  
رابغل او ااملا اموام ةفيظو لعجل يلاشم لكشب ناقلغم زاوجل اب

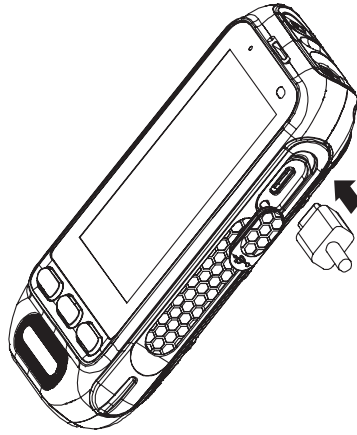
ديج لكش ب لمعت  
دعب اميف ناشلا اذهب قصاخ تانالعا و ا تاظالم يا مي دقت متي نل

### 7.2. هكفو و رص خلا كبشم بي كرت



### 7.3. نحشلا

RugGear نح اوش مدختسا . ري بم 1/تلف 5 نح اش RG360 مدعي  
دق قدمت عمل ريغ تاجت نمل نال ، طقف ةدمت عمل تالب الكلاو ةض يرعلا  
كزاهجل فالتا و ا ةيراطبلا راجفنا يف ببستت  
+45 يتحو و +0 نم ةطيحم ةرارح ةجرد قاطن يف زاهجل نحش كنكمي  
-10 : يه لوم عمل فتاهلا اذهل يداعلا ليغش تلا ةرارح ةجرد . ةيوي م ةجرد  
ةيوي م ةجرد 50 ل



### 8. ةفيظولا نع ةمدقم

#### 8.1. صص عمل رزل / PTT عفدلا رز

، ةصص عمل فئاطولا حيتافم نمض اضي وه PTT عفدلا رز دغي  
تنك اذا . اهل يدعتو اهديرت يتلا تازي عمل رايتخا كنكم اب م ن مو  
صاخلا قي بظنتلا يف هني عتل ةجاحب تناف ، ةرم لوال همدختستس  
يلاتلا وحنلا لىع ، (صص عمل احتفملا) كب

00:12		⚙️ 🔋
Customkey		
✕	Not in use	●
📞	PTT	○
SOS	SOS	○
🔒	Lock screen	○
📷	Camera	○
🔊✕	Vibrate/Silence	○
🧭	Navigation	○
📶	Bluetooth switch	○
📶	WiFi switch	○

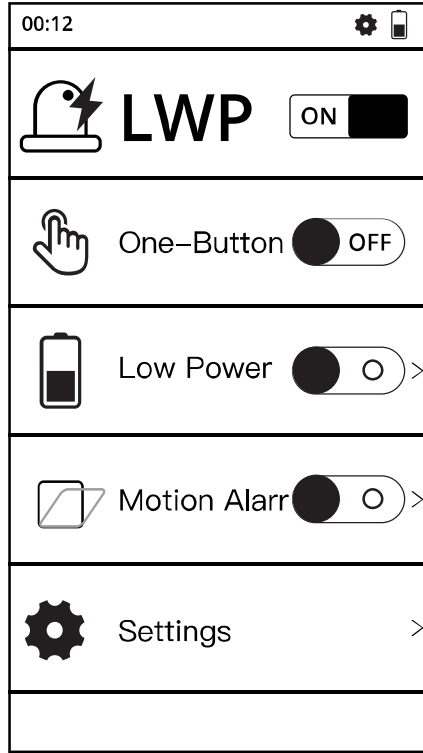
## 8.2. فئ اظول ددعتم هي بنتلا (LWP)

فاش تكاب موقت يتلا ةزيملا ىل فئ اظول ددعتم هي بنتلا ري شي  
 أيئ اقلت موقيو، نوكسلأ وأ ةكرحلا ءانثأ لوم حملأ فتاهلا ةلاح  
 ةي صن ةلسر/ةيفتاه ةمل كم ربع ىراوطلا لاصتا ةهج راعش اب  
 ةري صق.

1. 1122: ةي ضار تفعال رورملا ةمل ك.

2. مقر دي دحت كي لع ني عتي، ىل وألأ ةرملل قي بطلتلا حتف دعب.  
 هي بنتلل ي ضار تفعال فتاهلا

3. ىل اجات حتس ف، SIM يتق اطب مدختسي لوم حملأ فتاهلا ناك اذا.  
 ةي صن لئ لسر لاسر/لاصتال ي ضار تفعال فتاهلا مقر دي دحت



#### ريودتلا

وأقيراطبلا وأجتتملا ىلع بوطشملا تالمملا ؤلس زمركركذ  
 ؤيئابرهكلا تاجتملا عيمج ذخأ بجي هنأب تاوبعلأ وأ تاوعوبطملا  
 تايراطبلا ؤينورتكلإل او  
 متي و. يضا رتفالا اهرمع ؤي اهن دنع ؤلصفنم ؤعومجم ولإ تامكارملا او  
 نم صلختت ال . يبوروالا داحتالا يف تابلطتملا هذو قيبطت  
 ؤي لحم تايافنك تاجتملا هذو  
 ؤفنصم ريغ.   
 ؤمدختسملا ؤينورتكلإل تاجتملا عاجراب أمئاد مق  
 ؤصصخملا عيمجتلا زكارم ولإ فيلغتلأ داومو تايراطبلا او  
 نم صلختتلا عنم يف ققيرطلا هذو كدعاسنو . اهل  
 داوملا ريودت ؤداعإ جيورتو ؤمكحملا ريغ تايافنلا .  
 تااطلس وأ جتتملا ؤئاب نم ؤحاتم ؤيليصفتلا تامولعملأ نم ديزم  
 تامظنملا وأ ؤيلحملا تايافنلا  
**Power Idea Technology (Shenzhen) Co., Ltd.** ؤكرش  
 يعونلأ صاصتمالا لدعم ؤداهش صوصخب تامولعم (SAR)  
 ؤمىق ىلعأ . اذو دحل أقفوس اض ىأ زاهجلا رابتخا مت . وه ابوروال دحلأ  
 جتتملا ؤداهش لال خراى عملأ اذو بجو بم اهنع غالبالإ مت  
 لكشب مسجلا يدتري امدنعو مچك / طاو يه نذالآ ىلع مادختس الل  
 مت ؤى جئومن تاي لمعل زاهجلا اذو رابتخا مت . مچك / طاو بس انم  
 عم اهو ادترا  
 مسجلا نم مل اهب ظافتحالا مت يتلا ؤعامسلا نم يفلخلا عزجلا  
 مادختسا دنع ؤيكلسل الل تاددرتلا تافصاوم عم زاهجلا قفاوتى  
 نم مم ؤفاسم ىلع زاهجلا

تاقحل مل او لم او حل او مازحل اكبشم مادختسا يوتحي ال ا ب جى . كيمسج  
قفاوتى ال دق . عىمجتلا ةعومجم يف ةىندعم تانوكم لىل ع قلاامل  
ال يتلا تاقحل مل مادختسا  
، يوى دارلا ددرتلل ضرعتلا تابلطتم عم تابلطتملا هذى يفوتست  
اهبنت ب جى و  
ةيراجتلا تامالعل  
ةكولمم رشنل او عبطلا قوقحو ىرخألا ةيراجتلا تامالعل عىمجن  
ن يى ن عمل اهب اصأل  
نامض

نم ققحتلا ىجرى ، نىي بوروالا مالعملل  
نم ققحتلا ىجرى نىتكى رمالا يف مالعملل  
تامولعم لىل لوصحلل FCC ةرايز ىجرى ، [www.RugGear.com](http://www.RugGear.com)  
. مسق تحت هيلع روثعل او

<https://ruggear.com/warranty-terms>

<https://ruggear.com/terms-and-conditions-america>

## MAXIMUM OUTPUT POWER

Frequency bands	Maximum output power
GSM 850	32dBm
GSM 900	32.72dBm
GSM 1800	28.28dBm
GSM 1900	29.66dBm
WCDMA Band 1	21.32dBm
WCDMA Band 2	21.43dBm
WCDMA Band 4	21.86dBm
WCDMA Band 5	22.38dBm
WCDMA Band 8	22.25dBm
FDD-LTE Band 1	21.51dBm
FDD-LTE Band 2	21.95dBm
FDD-LTE Band 3	22.48dBm
FDD-LTE Band 4	22.48dBm
FDD-LTE Band 5	22.69dBm
FDD-LTE Band 7	21.38dBm
FDD-LTE Band 8	22.69dBm
FDD-LTE Band 20	22.88dBm
FDD-LTE Band 28	23.21dBm
TDD-LTE Band 38	22.91dBm
TDD-LTE Band 40	22.92dBm
TDD-LTE Band 41	22.82dBm
BT	5.83(EIRP)
WIFI	17.6(EIRP)





**gear  
your  
life.**

**Power Idea Technology (Shenzhen) Co., Ltd.**

4th Floor, A Section, Languang Science &  
technology Building, No.7 Xixi RD, Hi-Tech  
Industrial Park North, Nanshan District,  
Shenzhen, P.R.C

**[www.RugGear.com](http://www.RugGear.com)**