

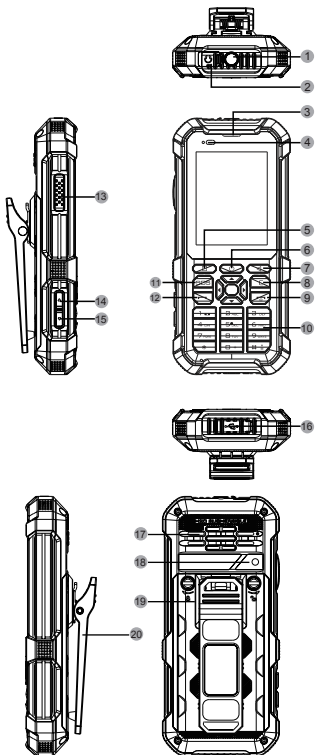
RugGear[®]

RG170



Short guide

FCC ID:ZLE-RG170



ENGLISH

1. APPEARANCE DIAGRAM

- 1_Flashlight
- 2_Headphone plug
- 3_Receiver
- 4_Light sensor
- 5_Menu key
- 6_Home key
- 7_Return key
- 8_Delete key
- 9_Hang-up key
- 10_Digital key
- 11_SOS key
- 12_Answer key
- 13_PTT key
- 14_Volume up key
- 15_Volume down key
- 16_USB plug
- 17_Speaker
- 18_Rear camera
- 19_Battery cover
- 20_Waist clip

2. INTRODUCTION

This document contains information and safety regulations which are to be observed for safe operation of the **RG170** under the described conditions. Non-observance of this information and instructions can have serious consequences and / or may violate regulations. Please read the manual and these safety instructions before using the device. In the case of any doubt, the English version shall apply.

The current EU-declaration of conformity, certificates, safety instructions and manuals can be found at **www.RugGear.com**, or requested from **Power Idea Technology(Shenzhen)Co.,Ltd.**

3. RESERVATION

The content of this document is presented as it currently exists. **Power Idea Technology(Shenzhen)Co.,Ltd.** does not provide any explicit or tacit guarantee for the accuracy or completeness of the content of this document, including, but not restricted to, the tacit guarantee of market suitability or fitness for a specific purpose unless applicable laws or court decisions make liability mandatory.

Power Idea Technology(Shenzhen)Co.,Ltd. reserves the right to make changes to this document or to withdraw

it any time without prior notice. Changes, errors and misprints may not be used as a basis for any claim for damages. All rights reserved.

Power Idea Technology(Shenzhen)Co.,Ltd. cannot be held responsible for any data or other loss and direct or indirect damages caused by any improper use of this device.

4. EU-DECLARATION OF CONFORMITY

The EU-declaration of conformity can be found at the end of this manual.



5. FAULTS AND DAMAGES

If there is any reason to suspect that the safety of the device has been compromised, it must be withdrawn from use immediately.

Measures must be taken to prevent any accidental restarting of the device. The safety of the device may be compromised, if, for example:

- Malfunctions occur.
- The housing of the device shows damage.
- The device has been exposed to excessive loads.
- The device has been stored improperly.
- Markings or labels on the device are illegible.

We recommend that a device displaying errors or in which an error is suspected be sent back to **Power Idea Technology(Shenzhen)Co.,Ltd.** to be checked.

6. FURTHER SAFETY ADVICE

- Do not touch the screen of the device with sharp objects. Dust particles and nails may scratch the screen. Please keep the screen clean. Gently remove dust from the screen with a soft cloth and do not scratch the screen.
- Do not leave the device in environments with excessive temperatures, as this could lead to heating of the battery, resulting in fire or explosion.
- Do not charge the device near any flammable or explosive substances.
- Charge the device under dry indoor conditions only.
- Do not charge the device in environments with heavy dust or humidity.
- Do not use the device in areas where regulations or legislation prohibit use.
- Do not expose the device or charger to strong magnetic fields, such as those emitted from induction ovens or microwaves.
- Do not attempt to open or repair the device. Improper repair or opening can lead to the destruction of the

device, fire or explosion. Only authorized personnel are allowed to repair the device.

- Only use accessories approved by **Power Idea Technology(Shenzhen)Co.,Ltd.**
- Power off the device in hospitals or other places where the use of mobile phones is prohibited. This device may affect the functioning of medical equipment, such as pacemakers. Always keep a distance of at least 15 cm between the device and these devices.
- Make sure the volume level is not set too high when using earphones and headphones to protect your hearing.
- Observe all corresponding laws that are in force in the respective countries regarding the use of devices while operating a vehicle.
- Please power off the device and disconnect the charging cable before cleaning the device.
- Do not use any chemical cleaning agents to clean the device or the charger. Use a damp and anti-static soft cloth for cleaning.
- The adapter must be installed near the equipment and be easily accessible.
- The product must only be connected to a USB interface version USB2.0.
- Do not discard old and abandoned lithium batteries into the trash, send them to designated waste disposal locations.
- The user is solely responsible for any and all damages and liabilities caused by malware downloaded when using the network or other data-exchange functions of the device. **Power Idea Technology(Shenzhen)Co.,Ltd.** cannot be held responsible for any of those claims.



Warning

Power Idea Technology(Shenzhen)Co.,Ltd. will not assume any liability for damages caused by disregarding any of these instructions or by any inappropriate use of the device.

7. MAINTENANCE/REPAIR

Please note any legal requirements for periodic inspection. The device itself has no user-serviceable parts. It is recommended to perform inspections according to the safety regulations and instructions. If there is a problem with the device, please contact your vendor or consult the service center. If your device is in need of repair, you can either contact the service center or your vendor.

8. BATTERY

The battery is not fully charged when the device is purchased, but it contains enough energy to power on the device. To obtain best battery performance and battery life, let the battery discharge completely before fully charging it for the first three charging cycles.

Caution:

RG170 supports 5V/1A charging; using any higher charging current may damage your phone.

Risk of explosion if battery is replaced by an incorrect type. Dispose of used batteries according to the instructions.

9. PREPARATION

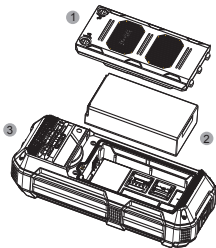
9.1 Install and remove the battery/Install the Micro SIM card and Micro SD card

9.1.1 Rotate the battery cover screw with a screwdriver as shown in figure 1, then remove the battery cover to take the battery out.

9.1.2 Install the Micro SIM card and Micro SD card as shown in figure 3.

9.1.3 Press the battery into the battery compartment after inserting the Micro SIM card and SD card into the device.

9.1.4 Close the battery cover and tighten the screw on the battery cover.

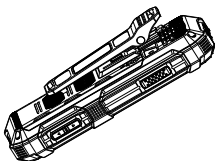


Note:

Please ensure that the rubber cover of the device's headphones and USB connector are perfectly sealed so that they are properly waterproof and dustproof. No special declaration will be made later on.

9.2. Installing and removing the waist clip

As shown



9.3 Charging

Pull out the rubber USB plug in the direction shown in the figure and connect the cable to the mobile phone to start charging.

Only use RugGear licensed chargers and cables because unlicensed products may cause battery explosion or damage your device.

You can only charge the device within an ambient temperature range of +0°C to +45°C. The normal operating temperature of this mobile phone is -10°C to 50°C. It is recommended that your mobile phone be used within this temperature range.



10. LOCK FOR SCREEN AND BUTTONS

While the phone is on, briefly press the power button to lock screen.

After the phone has been idle for a while, its screen will lock automatically.

Briefly press the power button to wake up the screen and swipe upward to unlock the screen.

11. RECYCLING

The crossed-out wheeled-bin symbol on your product, battery, literature, or packaging is there to remind you that all electrical and electronic products, batteries, and accumulators must be taken to a separate collection point at the end of their working life. This requirement applies in the European Union. Do not dispose of these products as unsorted municipal waste. Always return your used electronic products, batteries, and packaging materials to dedicated collection points. This helps to prevent uncontrolled waste disposal and promote the recycling of materials. More detailed information is available from

the product retailer, local waste authorities, national producer responsibility organisations, or your local **Power Idea Technology(Shenzhen) Co.,Ltd.** representative.



12. INFORMATION CONCERNING CE SAR CERTIFICATION (SPECIFIC ABSORPTION RATE)

The SAR limit of Europe is 2.0 W/kg. The device has been tested against this SAR limit. The highest SAR value reported under this standard during product certification for use in the ear is 0.524 W/kg and when properly worn on the body is 1.405 W/kg. This device was tested for typical body-worn operations with the back of the handset kept 5 mm from the body. The device complies with RF specifications when the device is used at 5 mm from your body. The use of belt clips, holsters and similar accessories should not contain metallic components in their assembly. The use of accessories that do not fulfill these requirements may not comply with RF exposure requirements, and should be avoided.

13. FCC Caution

The SAR limit of USA (FCC) is 1.6 W/kg averaged over one gram of tissue. Device types RG170 (FCC ID: ZLE-RG170) has also been tested against this SAR limit.

The highest SAR value reported under this standard during product certification for use when properly worn on the body is 1.154 W/kg, on head is 0.693 W/kg and 1.178 W/kg as a hotspot. Simultaneous RF exposure is 1.224W/Kg. This device was tested for typical body worn operations with the back of the handset kept 10mm from the body.

FCC statements:

This device complies with part 15 of the FCC rules.

Operation is subject to the following two conditions:

- (1) this device may not cause harmful interference, and
- (2) this device must accept any interference received, including interference that may cause undesired operation.

NOTE: The manufacturer is not responsible for any radio or TV interference caused by unauthorized modifications or changes to this equipment. Such modifications or changes could void the user's authority to operate the equipment.

NOTE: This equipment has been tested and found to comply with the limits for a Class B digital device, pursuant to part 15 of the FCC Rules. These limits are designed to provide reasonable protection against harmful interference in a residential installation. This equipment generates uses and can radiate radio frequency energy and, if not installed and used in accordance with the instructions, may cause harmful interference to radio communications. However, there is no guarantee that interference will not occur in a particular installation. If this equipment does cause harmful interference to radio or television reception, which can be determined by turning the equipment off and on, the user is encouraged to try to correct the interference by one or more of the following measures:

- Reorient or relocate the receiving antenna.
- Increase the separation between the equipment and receiver.
- Connect the equipment into an outlet on a circuit different from that to which the receiver is connected.
- Consult the dealer or an experienced radio/TV technician for help.

14. TRADEMARKS

All other trademarks and copyrights are the properties of their respective owners.

15. WARRANTY

- European customers please check: <https://ruggear.com/warranty-terms/>

Customers in the Americas please check: <https://ruggear.com/terms-and-conditions-americas/>

- For FCC information, please go to www.RugGear.com under the "Support" section.

MAXIMUM OUTPUT POWER

Frequency bands	Maximum output power
DCS 1800	32dBm
PCS 1900	32dBm
GSM 850	34dBm
GSM 900	34dBm
WCDMA Band 1	24dBm
WCDMA Band 5	24dBm
WCDMA Band 8	24dBm
FDD-LTE Band 1	24dBm
FDD-LTE Band 3	24dBm
FDD-LTE Band 5	24dBm
FDD-LTE Band 7	24dBm
FDD-LTE Band 8	24dBm
FDD-LTE Band 20	24dBm
TDD-LTE Band 40	24dBm
BT	11dBm
WIFI	18dBm

EU – Declaration of Conformity

according to directives 2014/53/EU and 2011/65/EU (2015/863/EU)

The company Power Idea Technology(Shenzhen)Co.,Ltd. declares under its sole responsibility that the product to which this declaration relates is in accordance with the provisions of the following data, directives and standards:

Name & address of the manufacturer	Power Idea Technology(Shenzhen)Co.,Ltd. 4th Floor,A Section,Languang Science&Technology Building,No.7 Xinxu RD,Hi-Tech Industrial Park North, Nanshan District, Shenzhen,P.R.C
Description of the device:	LTE SMARTPHONE
Type designation(s):	RG170
Trademark:	RugGear
Conformity statement 2014/53/EU issued by	Shenzhen HUAK Testing Technology Co., Ltd. 1F, B2 Building, Junfeng Zhongcheng Zhizao Innovation Park, Heping Community, Fuhai Street, Bao'an District, Shenzhen, China
Conformity statement 2015/863/EU amending 2011/65/EU issued by	SGS-CSTC Standards Technical Services Co., Ltd. Guangzhou Branch 198 Kezhu Road,Sciencetech Park Guangzhou Economic & Technology Development District, Guangzhou, China 510663

Applied harmonized standards

EN 301 908-1 V11.1.7 (2018-12);EN 301 908-2 V11.1.2 (2017-08); EN 301 908-13 V11.1.2 (2017-07);
EN 301 511 V12.5.1(2017-03); EN 303 413 V1.1.1 (2017-06); EN 300 328 V2.1.1 (2019-04);
EN 55032:2015; EN 55035:2017; EN 61000-3-2:2014; EN61000-3-3:2013+A1:2019;
EN 301 489-1 V2.2.1 (2019-03) ;EN 301 489-17 V3.2.0 (2017-03) ; EN 301 489-19 V2.1.1 (2019-04);
EN 301 489-52 V1.1.0 (2016-11) ; EN 50360:2017;EN 50566:2017; EN 62209-1:2016;EN 62209-2:2010;
EN 62479:2010; EN 60950-1:2006+A11:2009+A1:2010+A12:2011+A2:2013

Signed for and on behalf of:

Shenzhen, 2019-07-23

Place and date of issue

Alex. Ma.

Alex Ma, R&D Director

深圳乐尔思科技有限公司 | 深圳市福田区华强北路 7 号汇众科技园 A 座 4 楼
Power Idea Technology (Shenzhen) Co., Ltd. | www.ruggear.com
4F Languang Sci & Tech Bldg A, 27 Gaoxin North 6 Ave, Nanshan, Shenzhen, China 518057

gear
your
life.

Power Idea Technology(Shenzhen)Co.,Ltd.

4th Floor,A Section,Languang Science&-
technology Building,No.7 XinxiRD,Hi-Tech
Industrial Park North, Nanshan District,
Shenzhen,P.R.C

www.RugGear.com