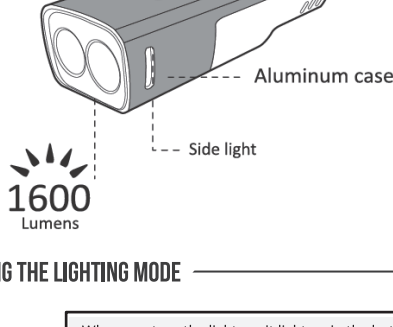
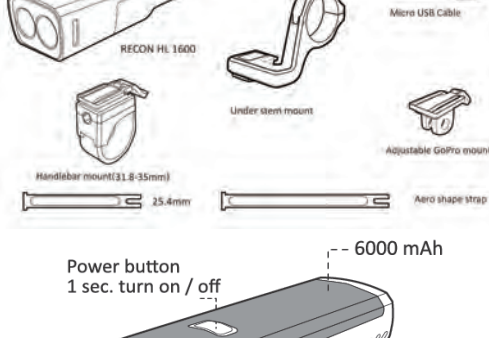


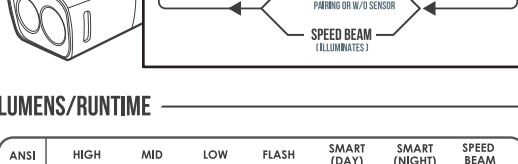
! WARNING/CAUTION

- This light emits an extremely powerful beam equivalent to auto-moblie headlight so it may cause a hazardous situation depending on the beam angle used.
- Be sure to direct the light beam downward so the driver approaching does not get dazzled.
- Do not use high mode on public roads.
- Before your trip, please make sure the light is firmly mounted to the bracket, it lights up, and the light is not blocked by baggage, etc.
- Do not stare at the light when it is illuminating. Otherwise it may damage your eyesight.
- Do not place it within children's reach.
- In preparation for unexpected battery shutoff, we recommend you carry a spare light.
- This product is water-resistant under normal daily use and can be used in the rain. However, do not intentionally submerge it in water.
- If the light unit or parts become dirty with mud, etc., clean with a soft cloth which is moistened with mild soap. Never apply paint thinner, benzine or alcohol, damage will result.
- This unit is shipped with a small charge to check the light. Be sure to charge it before use, according to the instructions "HOW TO CHARGE".
- The light source contained in this luminaire shall only be replaced by the manufacturer or his service agent or a similar qualified person.
- This appliance contains batteries that are only replaceable by skilled persons.
- The luminaire should be positioned so that prolonged staring into the luminaire at a distance closer than 2.5 m is not expected.
- Do not stare at the operating light source.
- When the product is abandoned or not in use, do not throw it away in the garbage can; it should be put in the waste battery treatment point.



SWITCHING THE LIGHTING MODE

When you turn the light on, it light up in the last lighting mode you used.(Mode memory function)



LUMENS/RUNTIME

ANSI	HIGH	MID	LOW	FLASH	SMART (DAY)	SMART (NIGHT)	SPEED BEAM
	1600 LUMENS	800 LUMENS	300 LUMENS	300 LUMENS	800 LUMENS	800 LUMENS	1600-800 LUMENS
	01:30 h:min	04:30 h:min	10:00 h:min	100:00 h:min	50:00 h:min	04:30 h:min	01:30-04:00 h:min

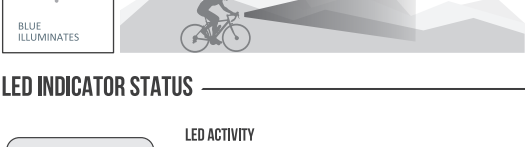
SMART MODE (WITHOUT SPEED SENSOR)



SPEED BEAM (PAIR / UNPAIR YOUR DEVICES)



IN SPEED BEAM MODE



LED INDICATOR STATUS

LED ACTIVITY
 Solid Green:100%
 Solid Orange:70%
 Solid Red:40%
 Flash Red:20%

Solid Blue:Smart mode with SpeedBeam
 Flash Blue:Smart mode with light sensor

WHEN CHARGE
 Flashing green : The battery is charging.
 Solid green : Fully charging.

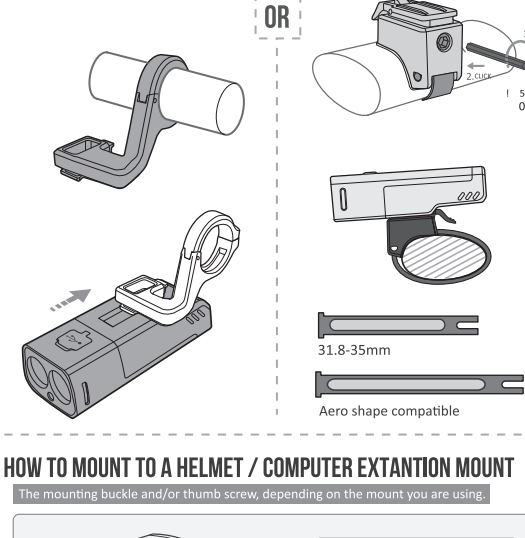
HOW TO CHARGING

Always charge the product before use.

Micro USB

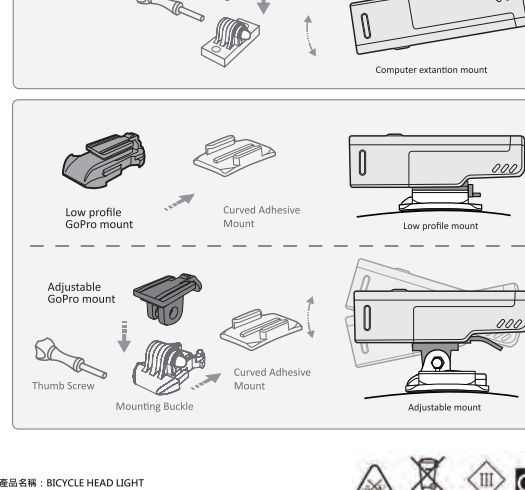
Standard charging time
 Approx. 5.0 hrs (2A)

HOW TO INSTALL



HOW TO MOUNT TO A HELMET / COMPUTER EXTANTION MOUNT

The mounting buckle and/or thumb screw, depending on the mount you are using.



產品名稱: BICYCLE HEAD LIGHT
 製造年份及製造號碼:
 商品原產地:MADE IN CHINA
 經銷商名稱:捷安特股份有限公司
 地址:台中市西屯區河濱路2段117號
 電話:886-4-35059666
 廠址:
 (依據低功率電波輻射性電機管理辦法第十二條)
 ※經型式認證合格之低功率射頻電機，非經許可，公司、商號或使用者均不得擅自變更頻率、加大功率或變更原設計之特性及功能。
 ※低功率射頻電機之使用不得影響飛航安全及干擾合法通信；經發現有干擾現象時，應立即停用，並改善至無干擾時方得繼續使用。
 -前項合法通信，指依電信法規定作業之無線電通信。
 -低功率射頻電機須忍受合法通信或工業、科學及醫療用電波輻射性電機設備之干擾。)

FCC ID: ZL7RECONHL1600 IC: 9707A-RECONHL1600
 Operating Frequency: 2450MHz
 Transmitter power: <4dBm

Product name: BICYCLE HEAD LIGHT
 Model name: RECON HL 1600
 FCC ID: ZL7RECONHL1600
 This device complies with Part 15 of the FCC Rules. Operation is subject to the following two conditions: (1) this device may not cause harmful interference, and (2) this device must accept any interference received, including interference that may cause undesired operation.
 Changes or modifications not expressly approved by the party responsible for compliance could void the user's authority to operate the equipment.
 This device complies with FCC radiation exposure limits set forth for an uncontrolled environment.

Note: This equipment has been tested and found to comply with the limits for a Class B digital device, pursuant to Part 15 of the FCC rules. These limits are designed to provide reasonable protection against harmful interference in a residential installation. This equipment generates, uses and can radiate radio frequency energy and, if not installed and used in accordance with the instructions, may cause harmful interference to radio communications. However there is no guarantee that interference will not occur in a particular installation. If this equipment does cause harmful interference to radio or television reception, which can be determined by turning the equipment off and on, the user is encouraged to try to correct the interference by one or more of the following measures:
 • Reorient or relocate the receiving antenna.
 • Increase the separation between the equipment and receiver.
 • Connect the equipment into an outlet on a circuit different from that to which the receiver is connected.
 • Consult the dealer or an experienced radio/TV technician for help.

Product name: BICYCLE HEAD LIGHT
 Model name: RECON HL 1600
 IC: 9707A-RECONHL1600
 CAN ICES-3 (B)/NMB-3(B)
 This device complies with Industry Canada's licence-exempt RSS(s). Operation is subject to the following two conditions:
 (1) This device may not cause interference.
 (2) This device must accept any interference, including interference that may cause undesired operation of the device.
 Changes or modifications not expressly approved by the party responsible for compliance could void the user's authority to operate the equipment.
 This device complies with radiation exposure limits set forth for an uncontrolled environment.

Nom du produit: BICYCLE HEAD LIGHT
 Nom du modèle: RECON HL 1600
 IC: 9707A-RECONHL1600
 CAN ICES-3 (B)/NMB-3(B)
 Ce dispositif se conforme aux RSS énoncés de licence d'Industrie Canada.
 L'opération est assujettie aux règles suivantes:
 (1) Ce dispositif ne doit pas causer d'interférence et
 (2) Ce dispositif doit accepter les interférences, même celles causées par la mauvaise opération du dit dispositif.

RED Declaration of Conformity (DoC)
 Unique identification of this DoC: _____
 We, Giant Manufacturing CO., Ltd.

declare under our sole responsibility that the product:
 product name: BICYCLE HEAD LIGHT
 trade name: GIANT
 type or model: RECON HL 1600
 relevant supplementary information: _____
 (e.g. lot, batch or serial number, sources and numbers of items)

to which this declaration relates is in conformity with the essential requirements and other relevant requirements of the RED Directive (2014/53/EU).
 The product is in conformity with the following standards and/or other normative documents:
 HEALTH & SAFETY (Art. 3(1)(a)): EN 60598-2-8:2013, EN 60598-1:2015, EN 62493:2015, EN62479-2:010
 EMC (Art. 3(1)(b)): Draft EN 301 489-1 V2.2.0:2017, Draft EN 301 489-17 V3.2.0:2017, EN 55015:2013+A1:2015, EN 61547:2009

SPECTRUM (Art. 3(2)): EN 300 328 V2.1.1:2016
 [TITLE and/or number and date of issue of the standard(s) or other normative document(s)]

OTHER (int. Art. 3(3) and voluntary specs): _____
 [title and/or number and date of issue of the standard(s) or other normative document(s)]

Limitation of validity (if any): _____

Supplementary information:
 Notified body involved: N/A

Technical file held by: Giant Manufacturing CO., Ltd.

Place and date of issue (of this DoC): 2018/08/27
 Signed by or for the manufacturer: _____
 Signature of authorised person:
 Name (in print): Sam Huang
 Title: R&D Manager