

6

5

4

3

2

1

REVISION RECORD			
LTR	ECO NO.	APPROVED:	DATE:

D

D

C

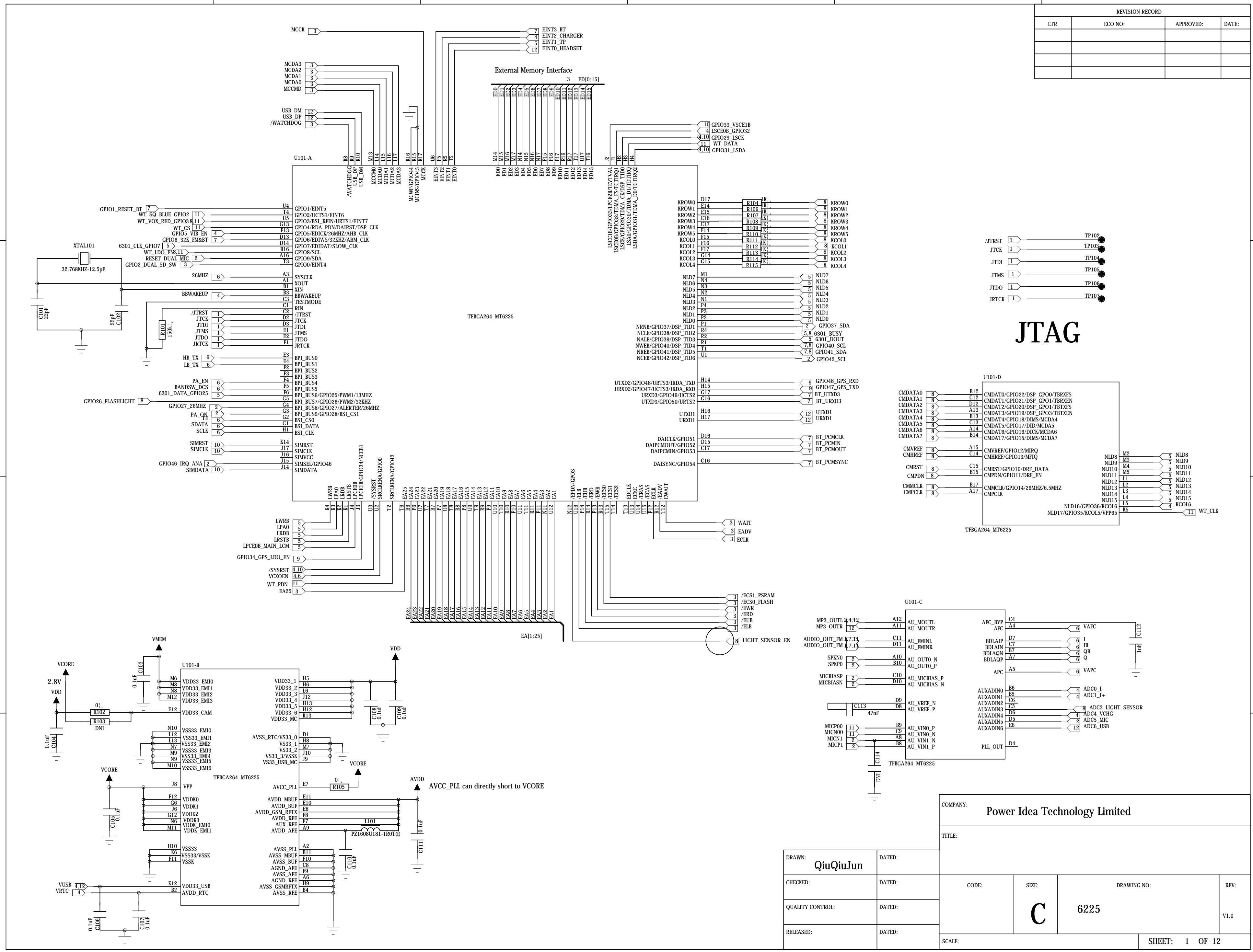
C

B

B

A

A



# JTAG

COMPANY: <b>Power Idea Technology Limited</b>				
TITLE:				
DRAWN: <b>QiuQiuJun</b>	DATED:	CODE:	SIZE: <b>C</b>	DRAWING NO: <b>6225</b>
CHECKED:	DATED:	REV: <b>V1.0</b>	DRAWING NO: <b>6225</b>	
QUALITY CONTROL:	DATED:	SHEET: 1 OF 12		
RELEASED:	DATED:	SCALE:		

6

5

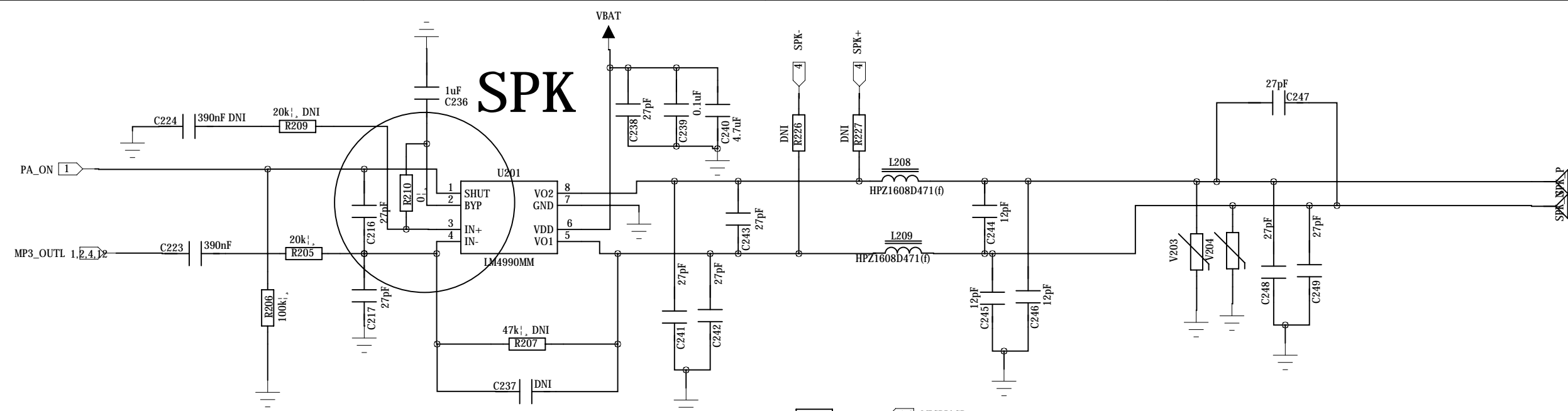
4

3

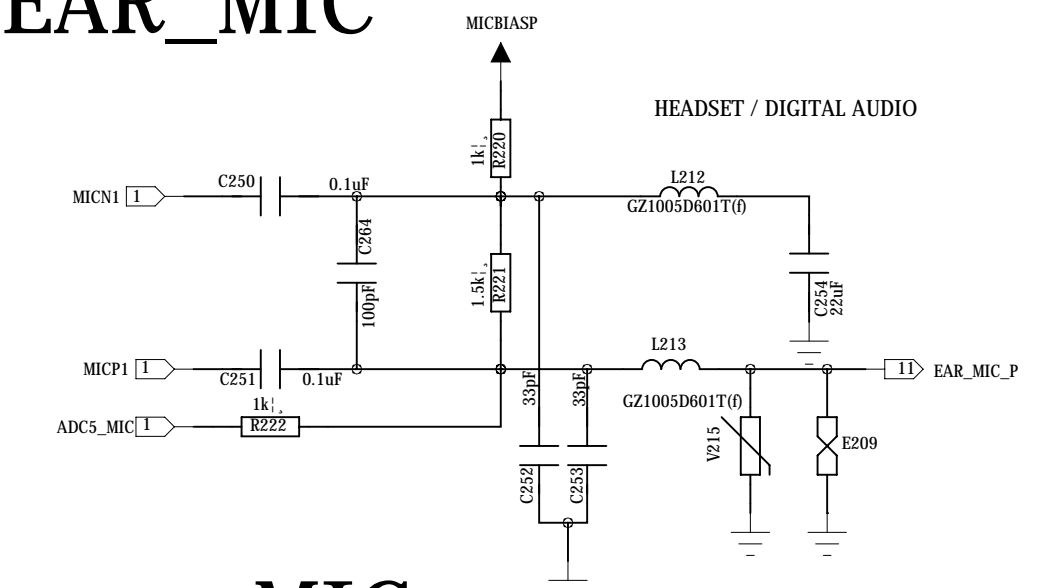
2

1

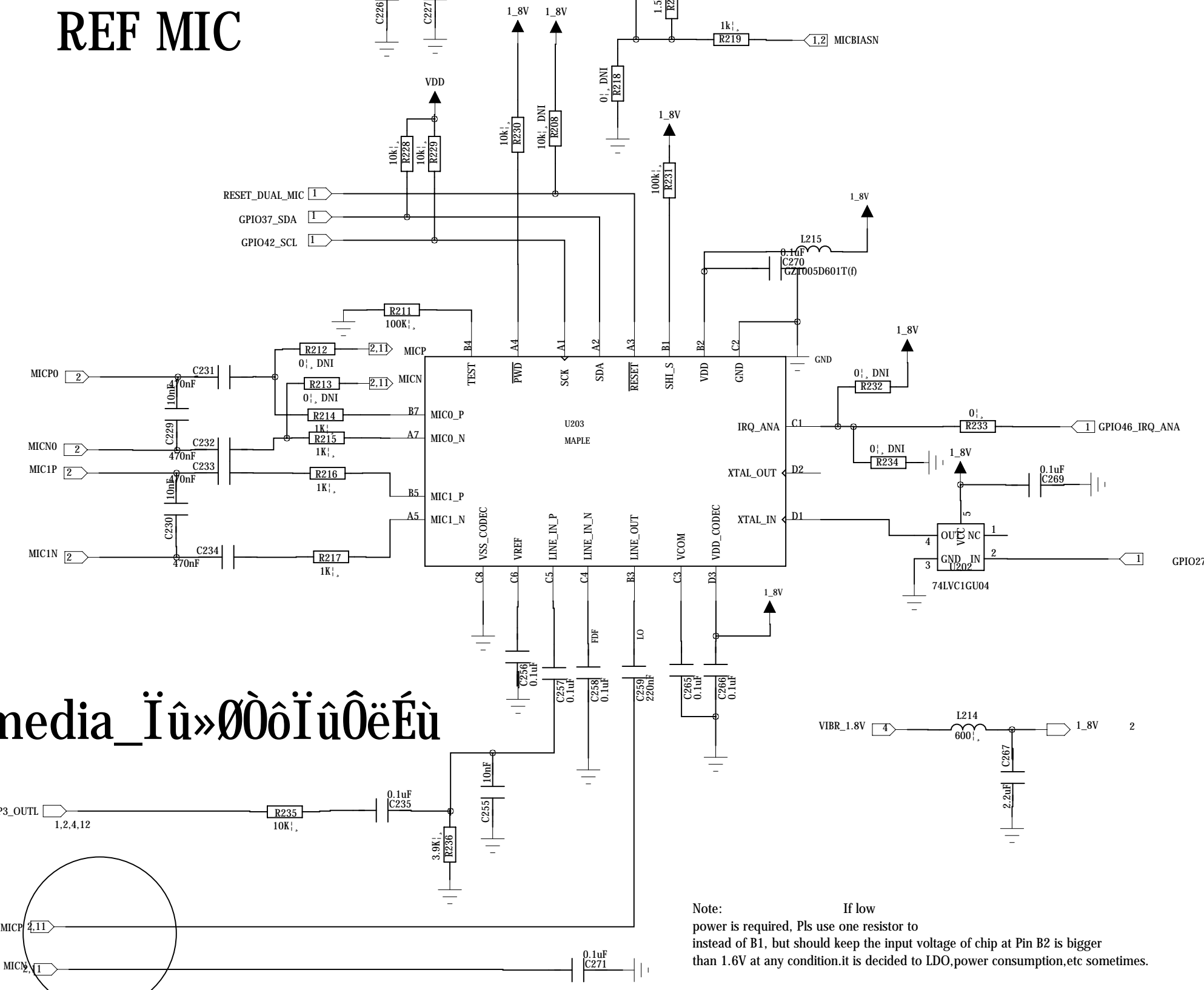
REVISION RECORD			
LTR	ECO NO:	APPROVED:	DATE:



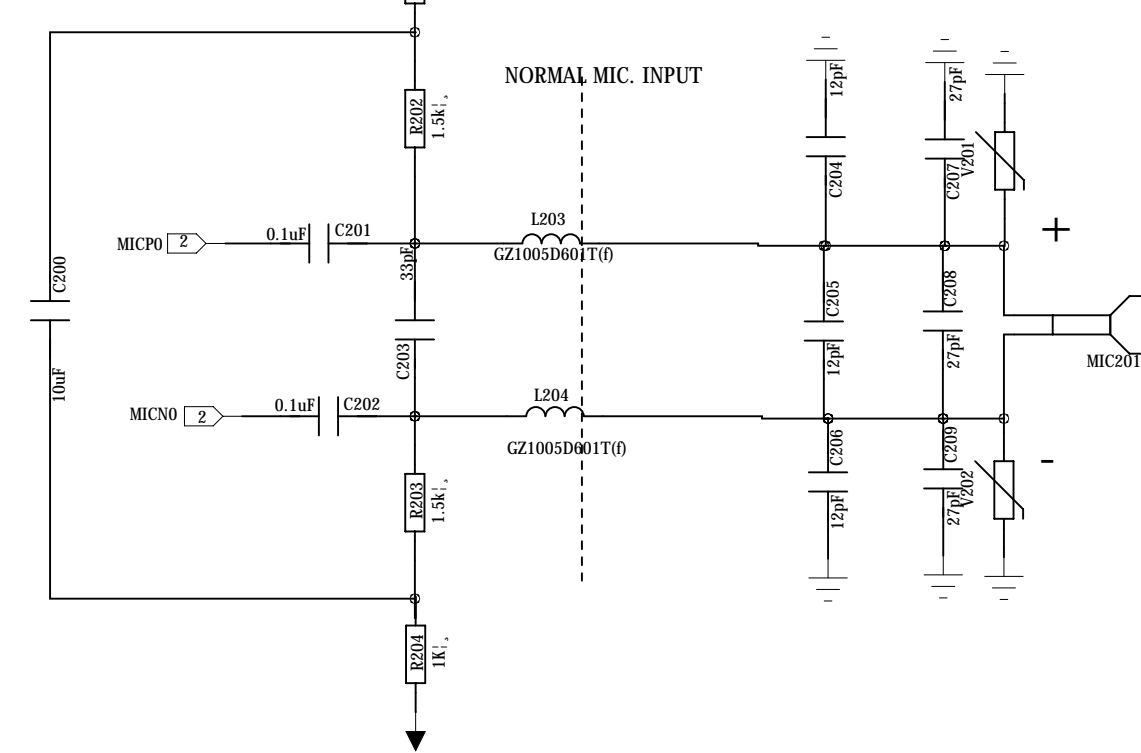
### EAR\_MIC



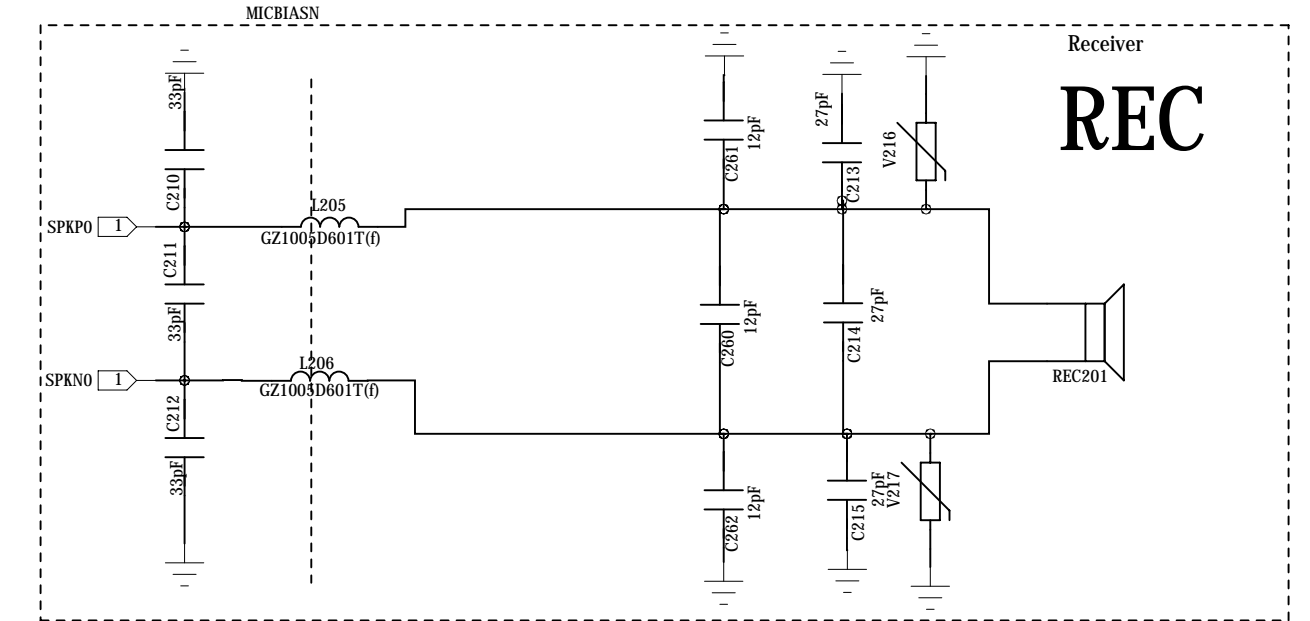
### REF MIC



### MIC



### REC



Fortemedia\_ï»¿øòïüôëËù

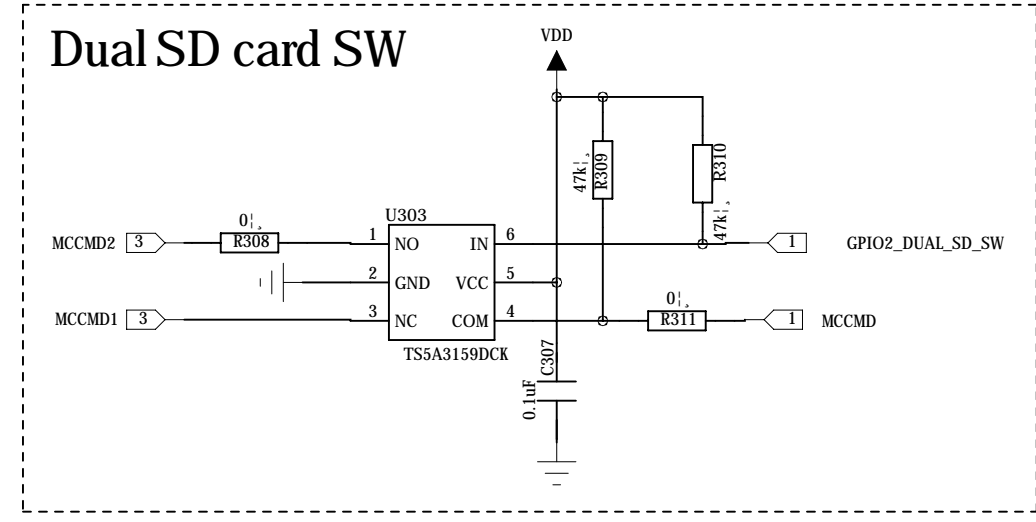
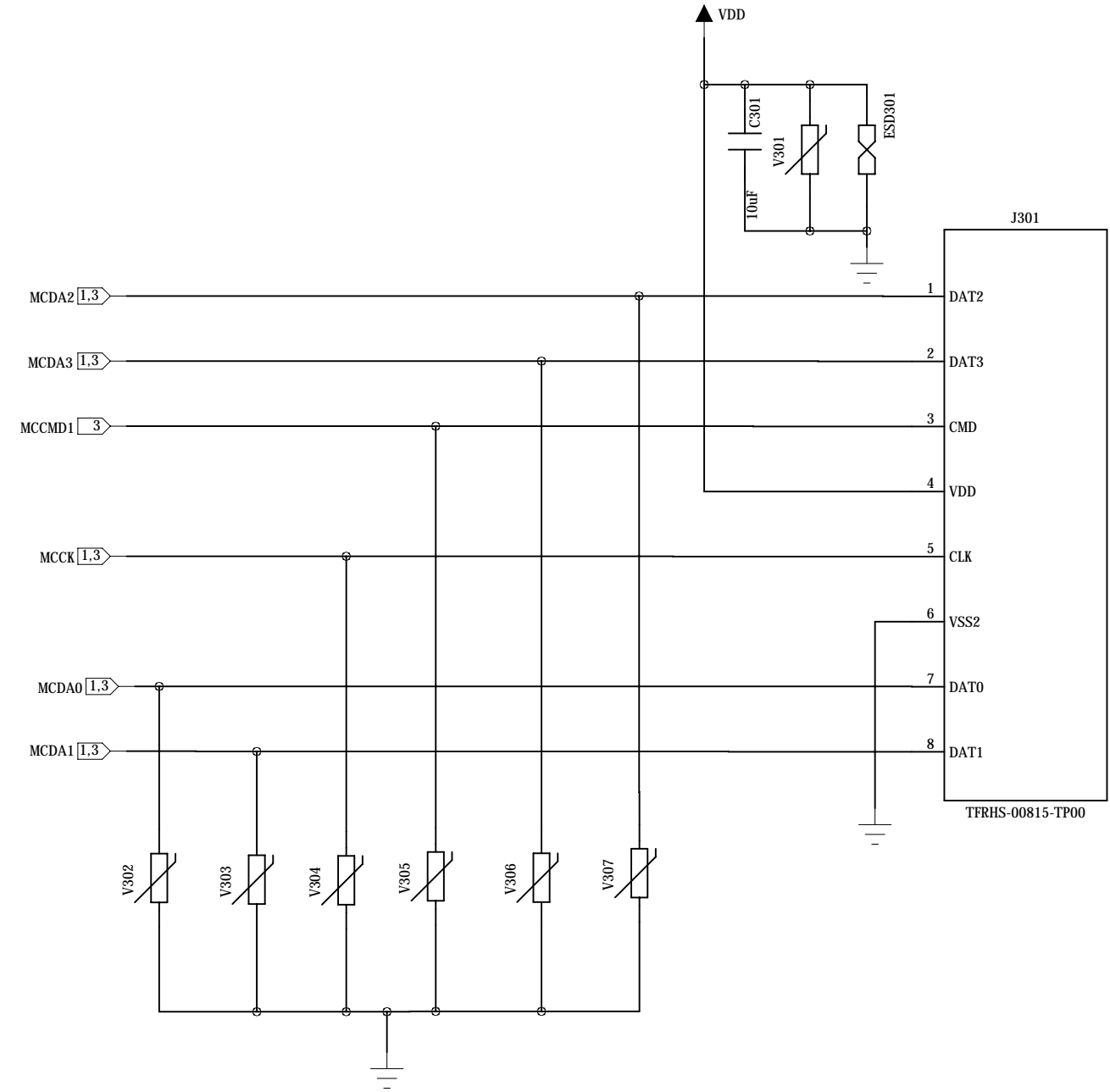
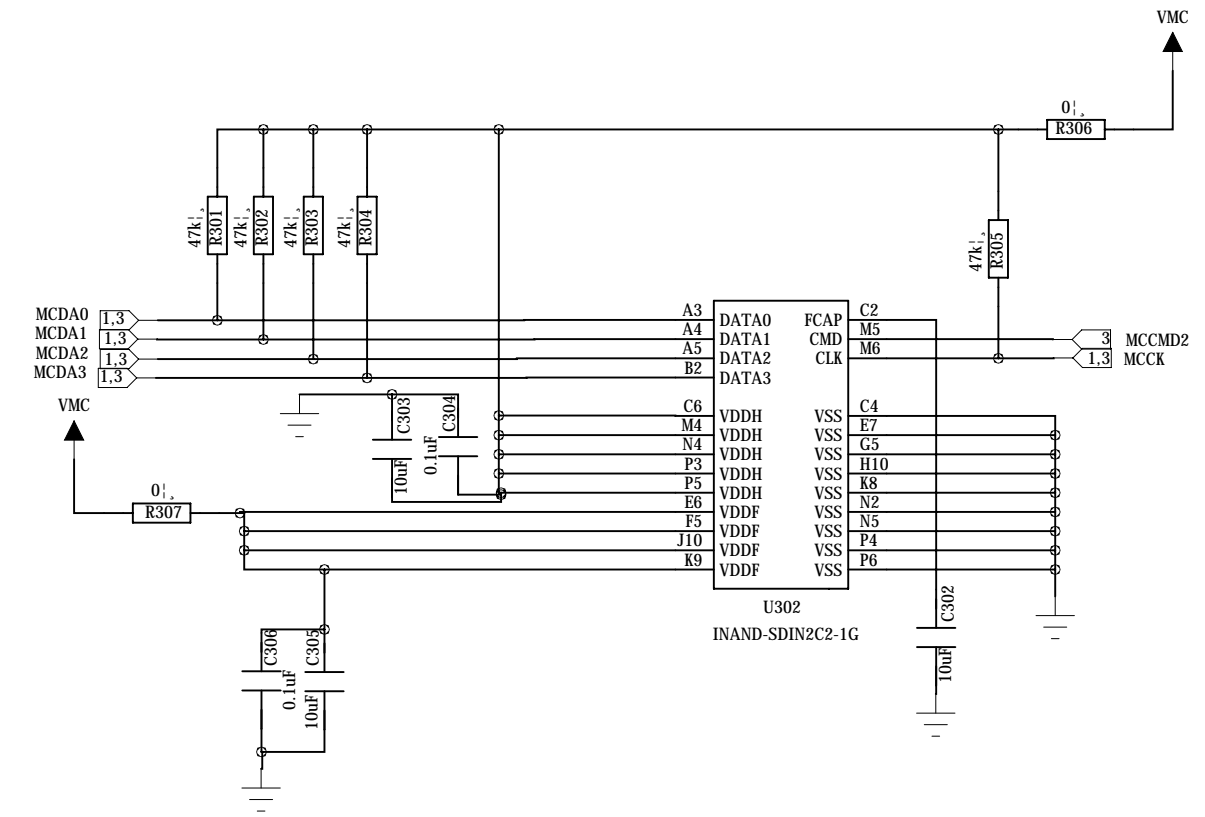
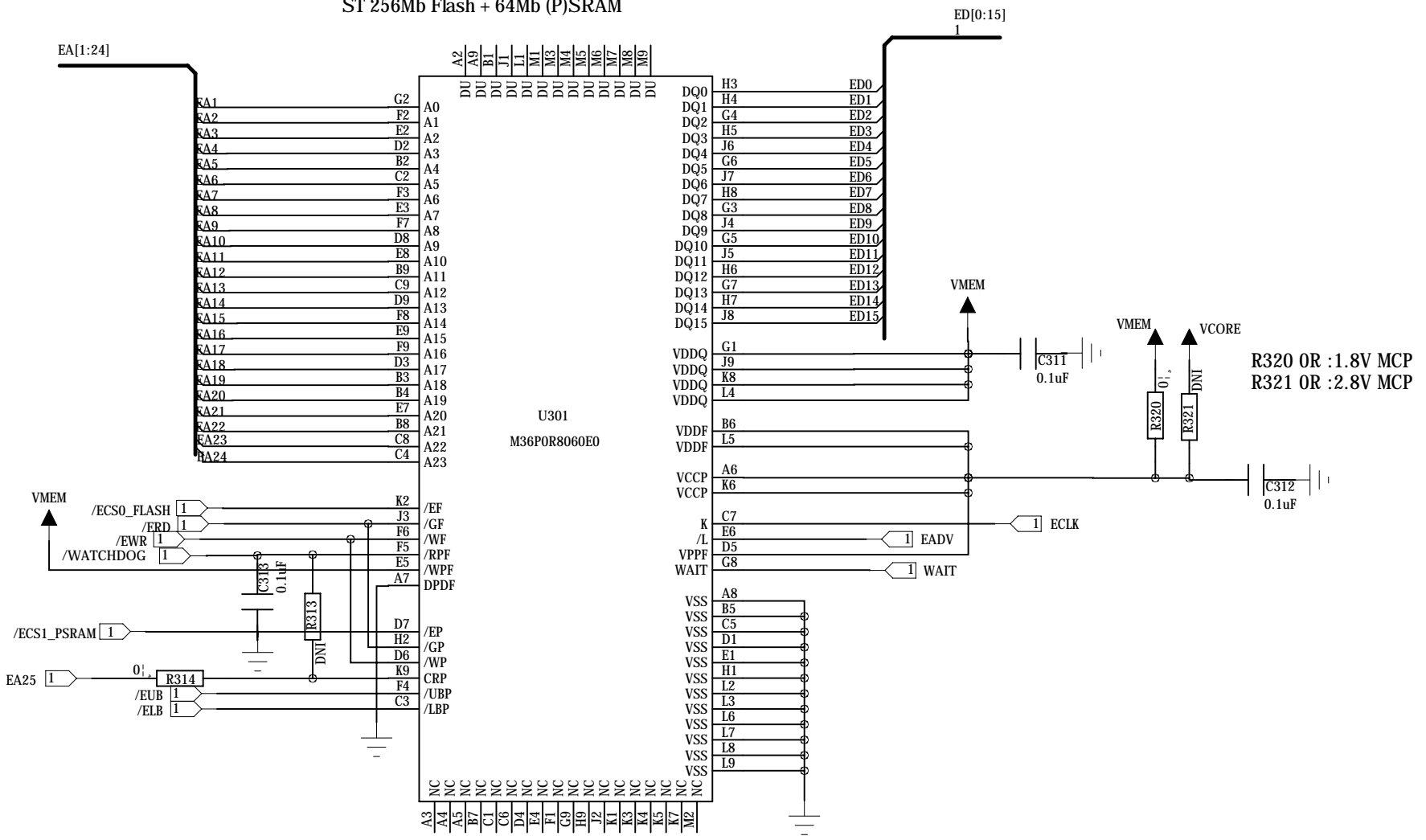
COMPANY:			
TITLE:			
CODE:	SIZE:	DRAWING NO:	REV:
SCALE:			SHEET: 1 OF 12

DRAWN:	DATED:
CHECKED:	DATED:
QUALITY CONTROL:	DATED:
RELEASED:	DATED:

# MEMORY

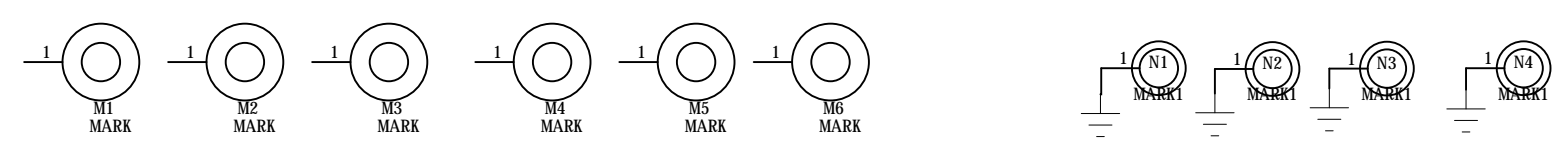
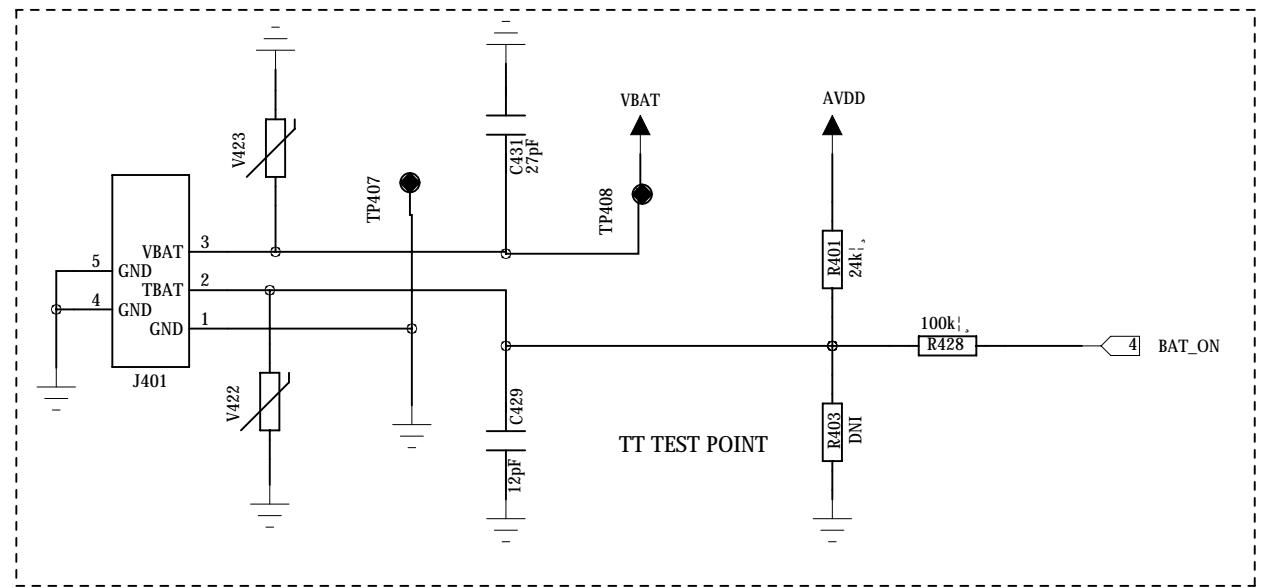
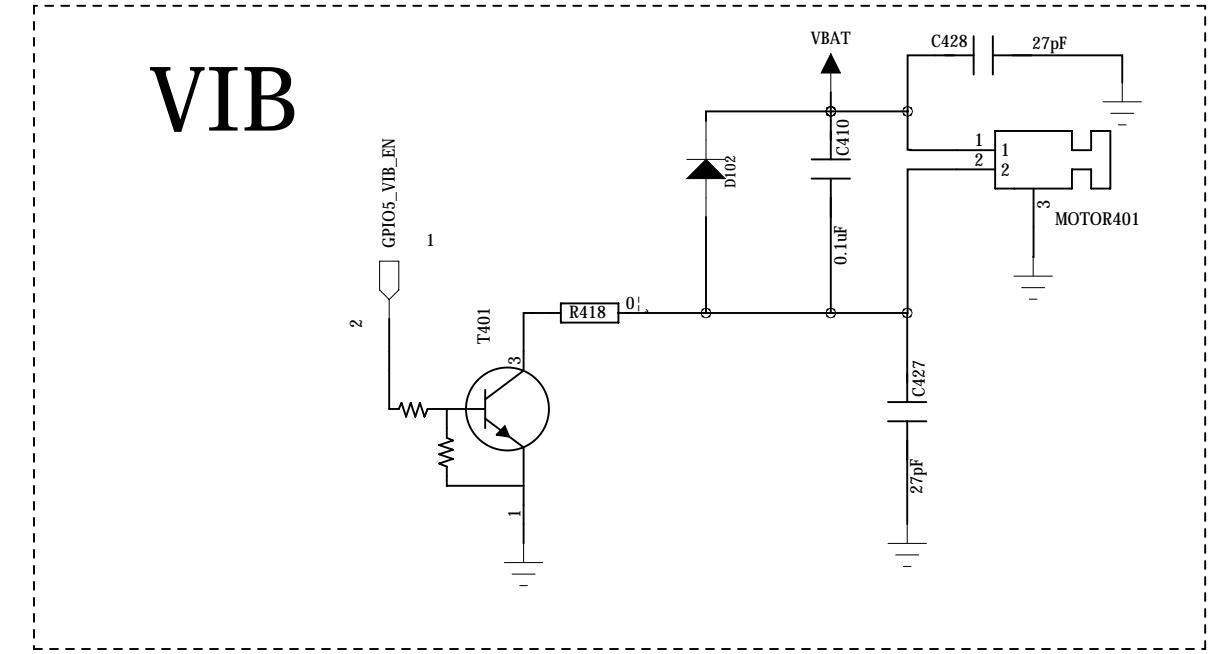
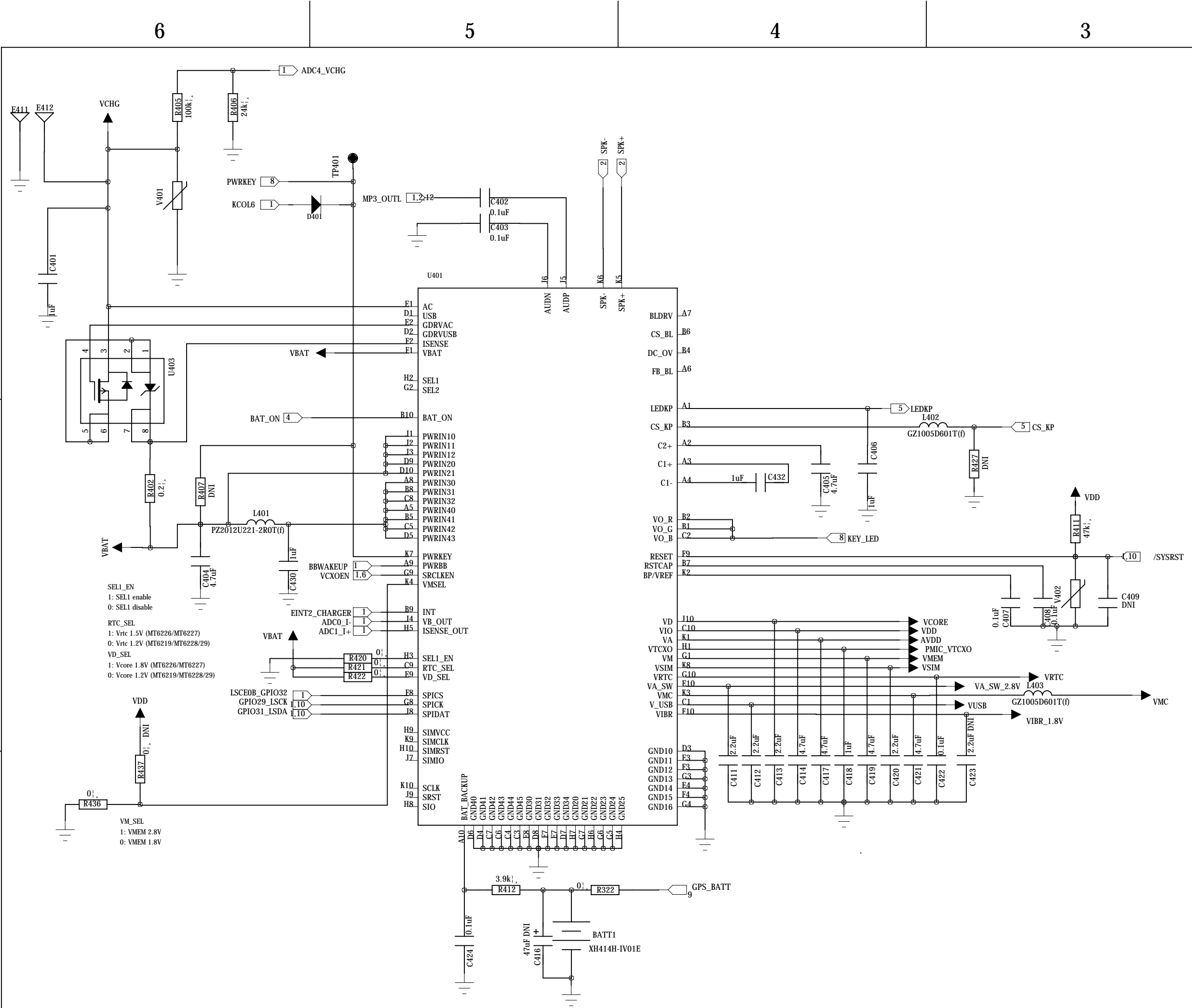
ST 256Mb Flash + 64Mb (P)SRAM

REVISION RECORD			
LTR	ECO NO:	APPROVED:	DATE:



COMPANY:			
TITLE:			
DRAWN:	DATED:	CODE:	SIZE:
CHECKED:	DATED:	DRAWING NO:	
QUALITY CONTROL:	DATED:	REV:	
RELEASED:	DATED:	SCALE:	
SHEET: 1 OF 12			

REVISION RECORD			
LTR	ECO NO:	APPROVED:	DATE:

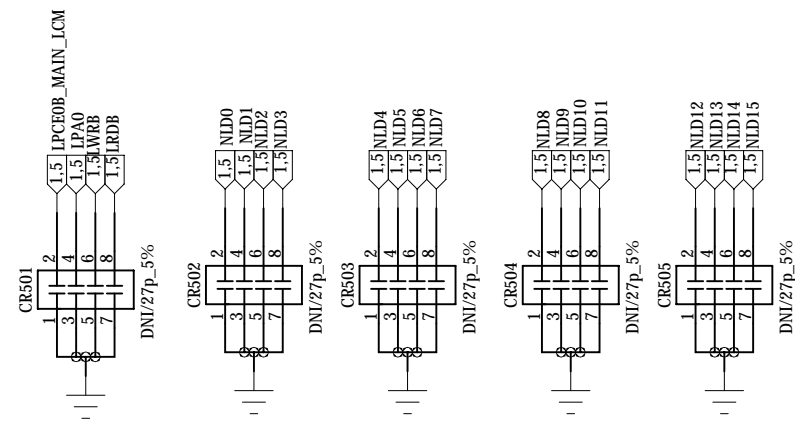
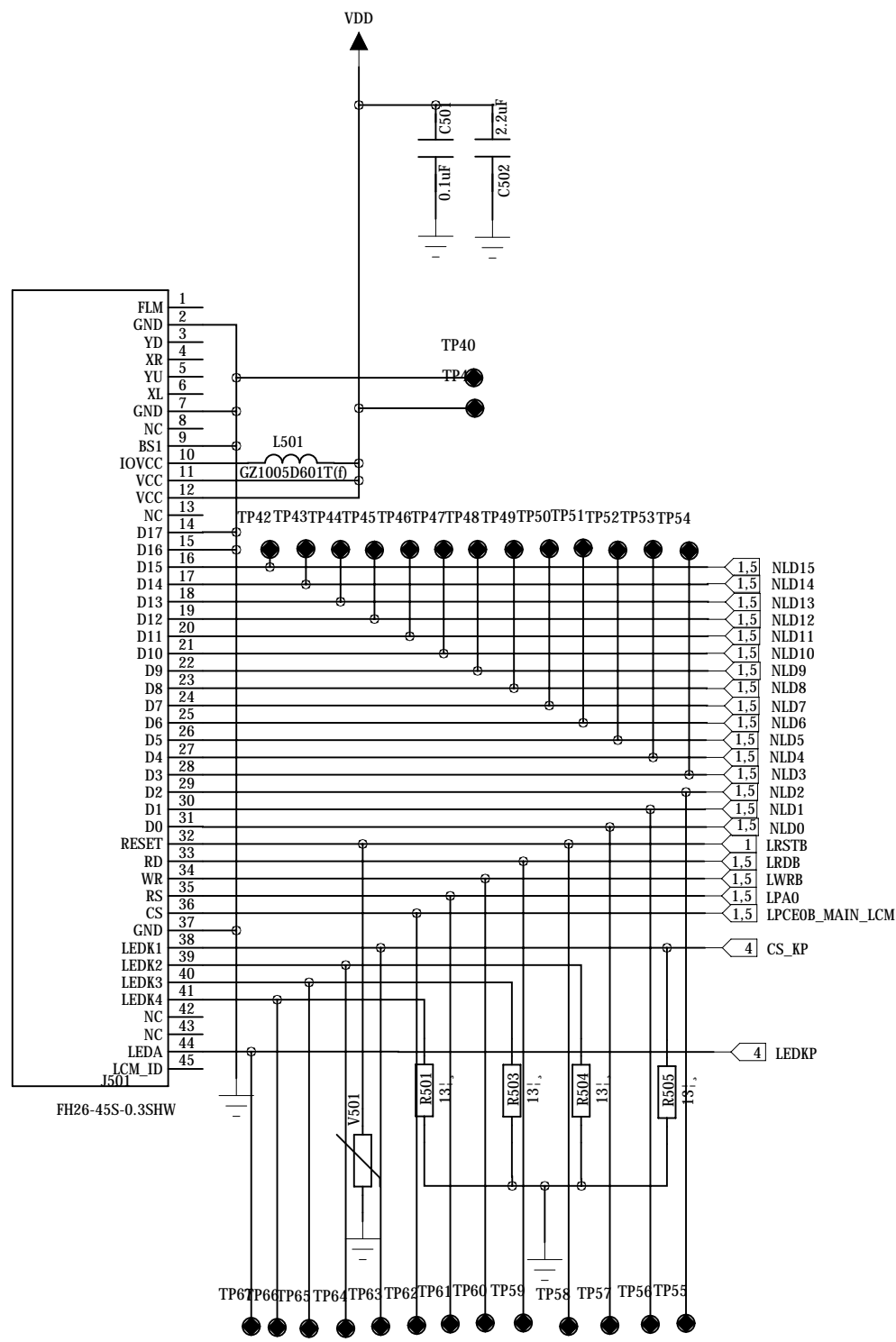
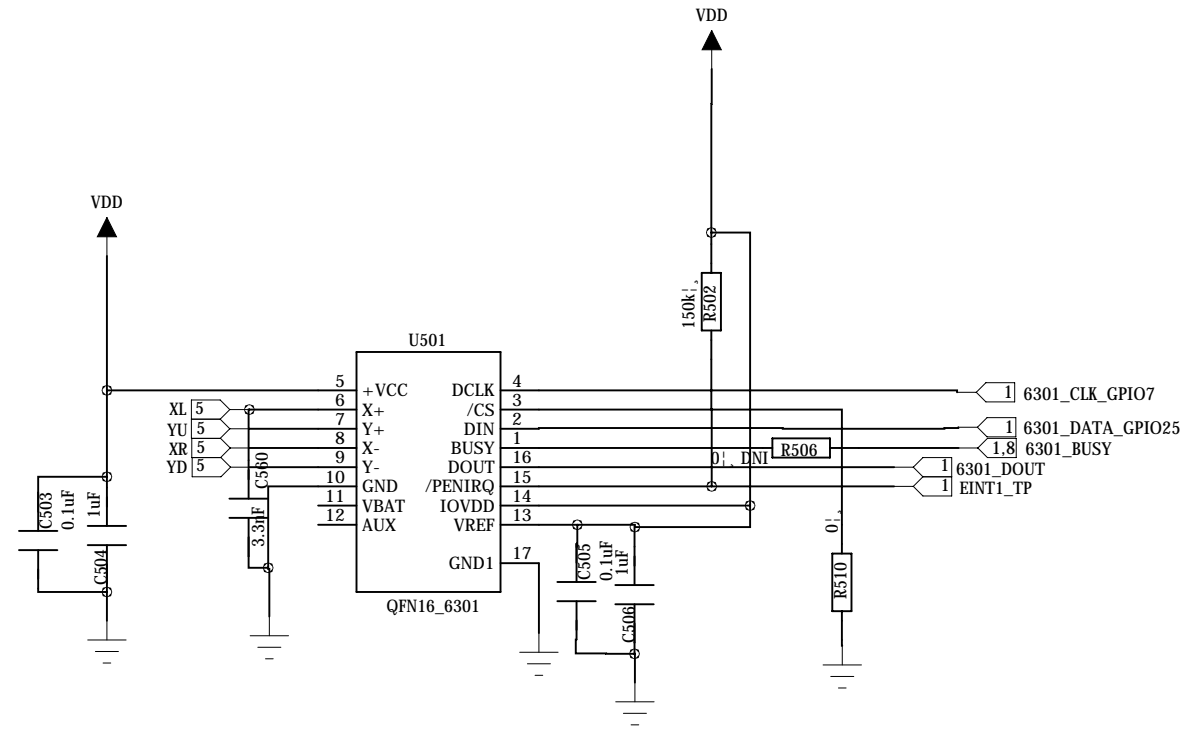
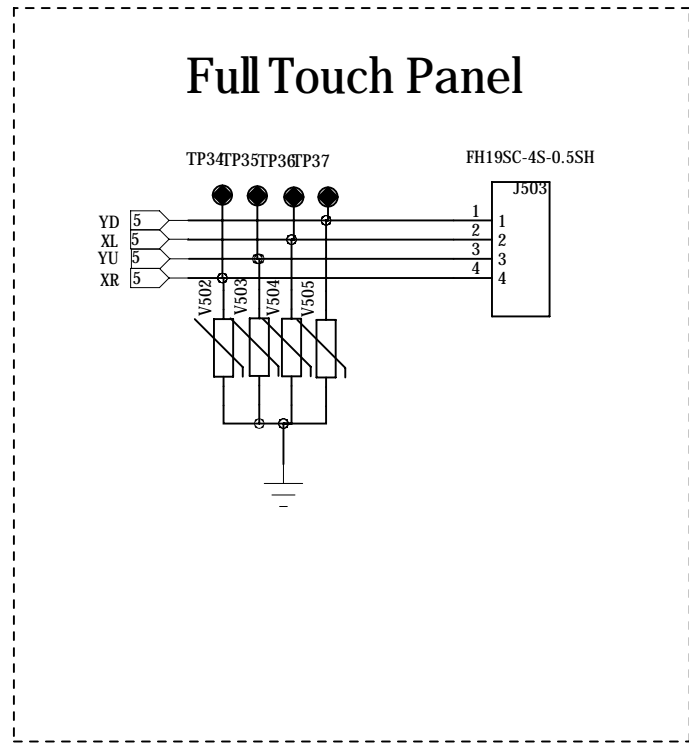


COMPANY: **Power Idea Technology Limited**

DRAWN: <b>QiuQiuJun</b>	DATED:
CHECKED:	DATED:
QUALITY CONTROL:	DATED:
RELEASED:	DATED:

TITLE:			
CODE:	SIZE: <b>C</b>	DRAWING NO: <b>POWER</b>	REV: <b>V1.0</b>
SCALE:			SHEET: <b>4 OF 12</b>

REVISION RECORD			
LTR	ECO NO:	APPROVED:	DATE:

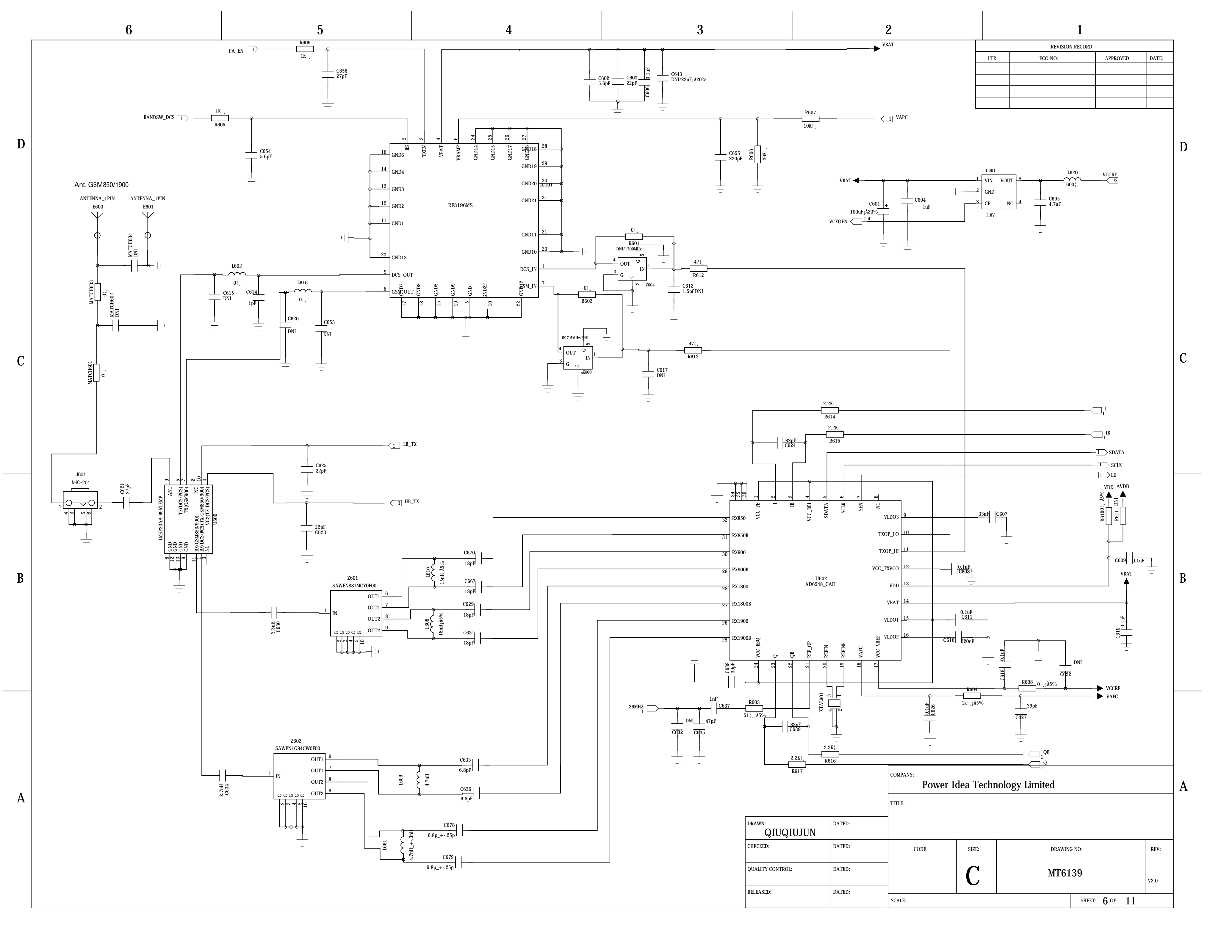


COMPANY: Power Idea Technology Limited

TITLE:

DRAWN: QiuQiuJun	DATED:
CHECKED:	DATED:
QUALITY CONTROL:	DATED:
RELEASED:	DATED:

CODE:	SIZE: C	DRAWING NO: CAM,LCM	REV: V1.0
SCALE:		SHEET: 5 OF 12	



REVISION RECORD			
LTR	ECO NO:	APPROVED:	DATE:

COMPANY: **Power Idea Technology Limited**

TITLE: \_\_\_\_\_

DRAWN: <b>QIUQIUJUN</b>	DATED:
CHECKED:	DATED:
QUALITY CONTROL:	DATED:
RELEASED:	DATED:

CODE:	SIZE:	DRAWING NO: <b>MT6139</b>	REV: V2.0
SCALE:		SHEET: 6 OF 11	

6

5

4

3

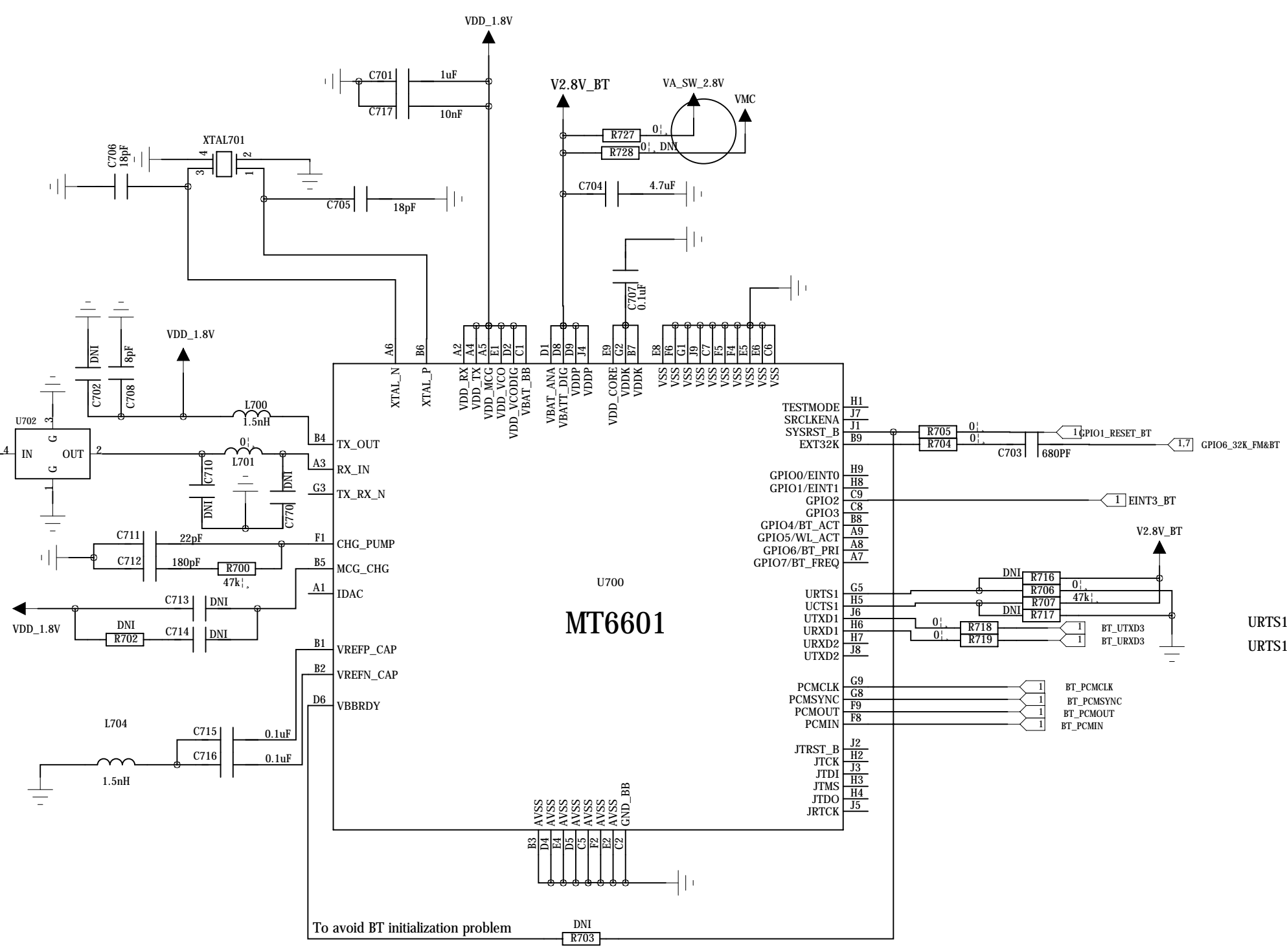
2

1

REVISION RECORD			
LTR	ECO NO:	APPROVED:	DATE:

Ant. 2402-2480MHz

Put these components near BT antenna



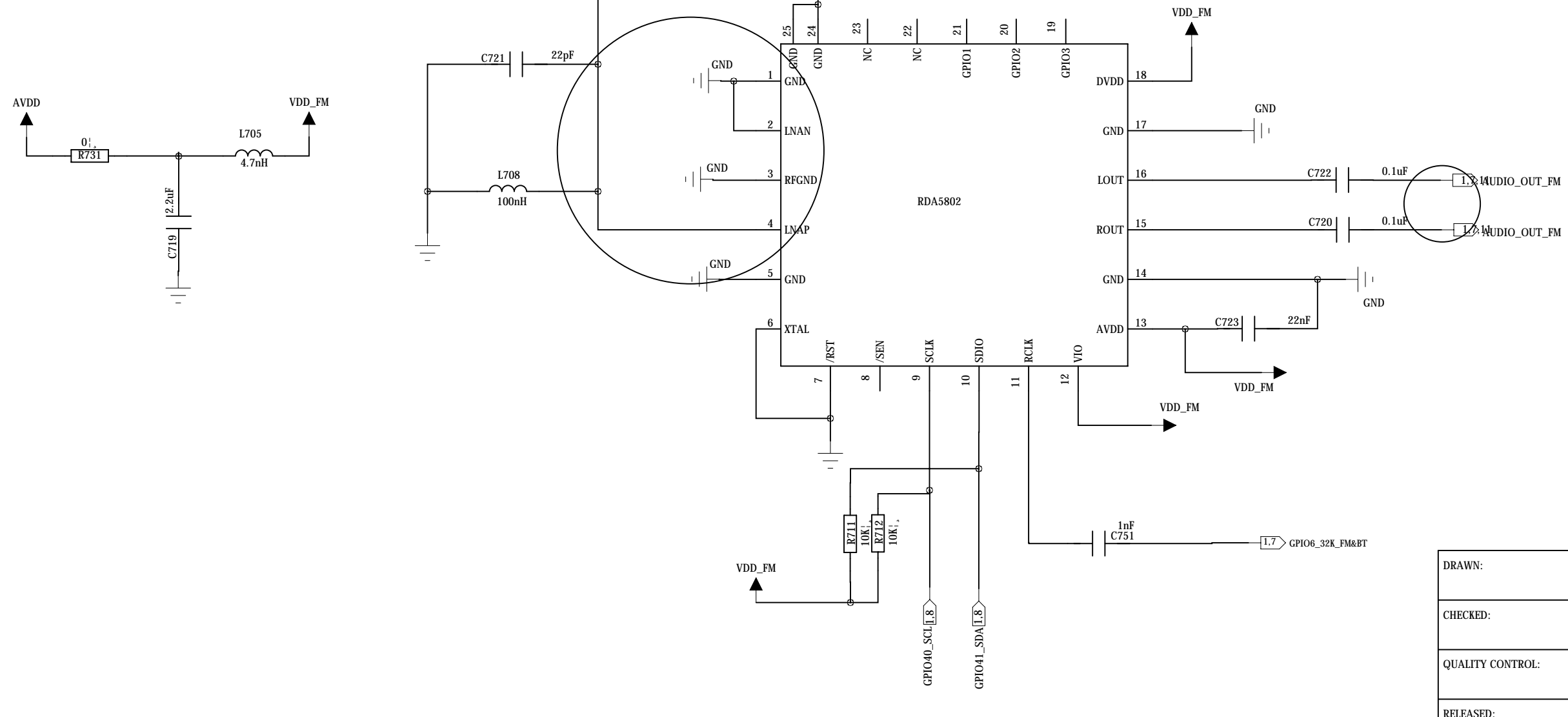
WHEN 32MHZ, C713, C714 AND R702 WERE NC

UCTS1=1	UCTS1=0
URTS1=1	26MHZ
URTS1=0	13MHZ
URTS1=0	32MHZ
URTS1=0	RESERVE

URTS1 & UCTS1 = NC for BT Crystal=26MHz  
URTS1=0R for BT Crystal=32MHz

FM1 @ μCμCμA

FM IC μCμA



DRAWN:	DATED:
CHECKED:	DATED:
QUALITY CONTROL:	DATED:
RELEASED:	DATED:

COMPANY:			
TITLE:			
CODE:	SIZE:	DRAWING NO:	REV:
SCALE:			SHEET: 1 OF 12

6

5

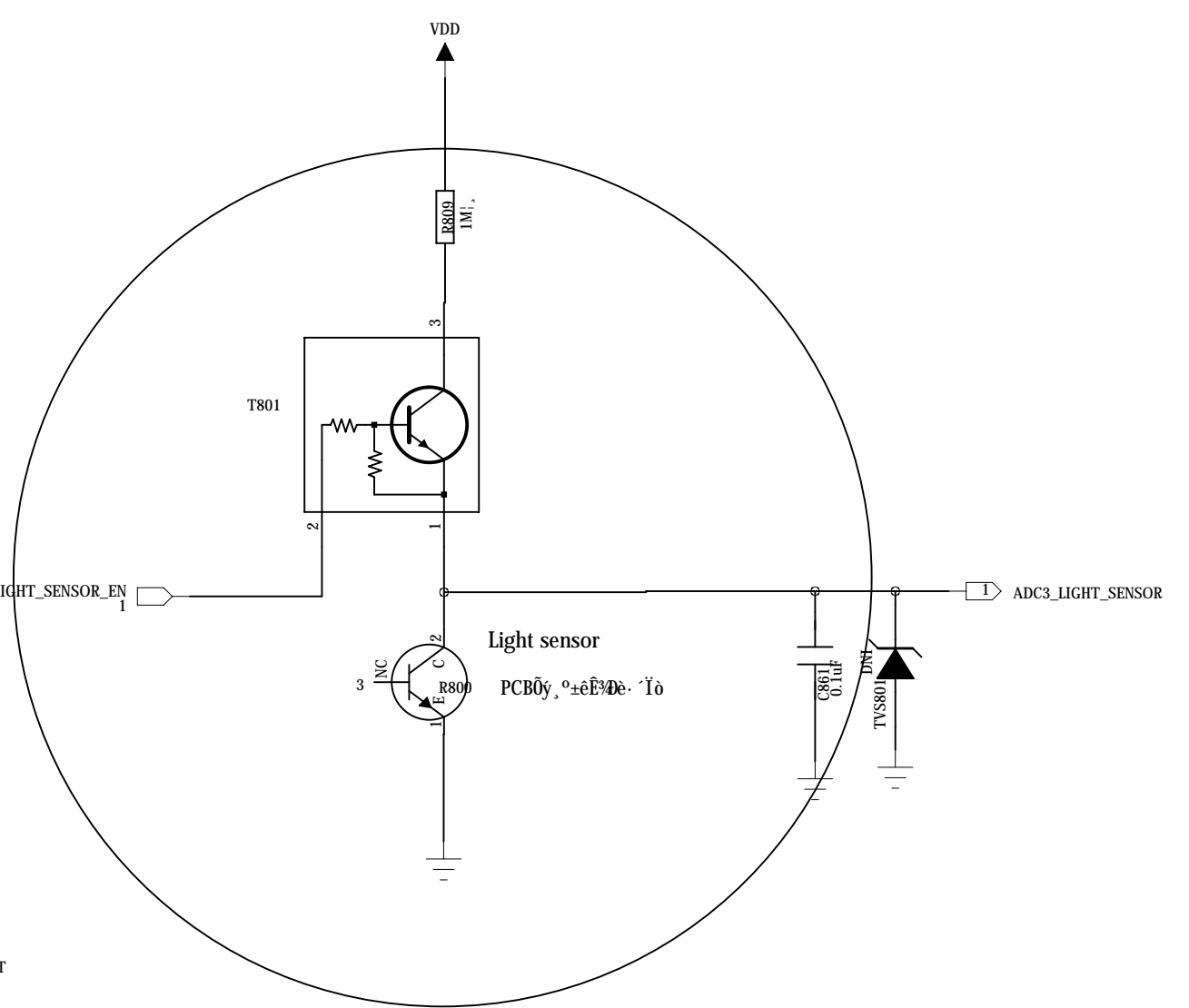
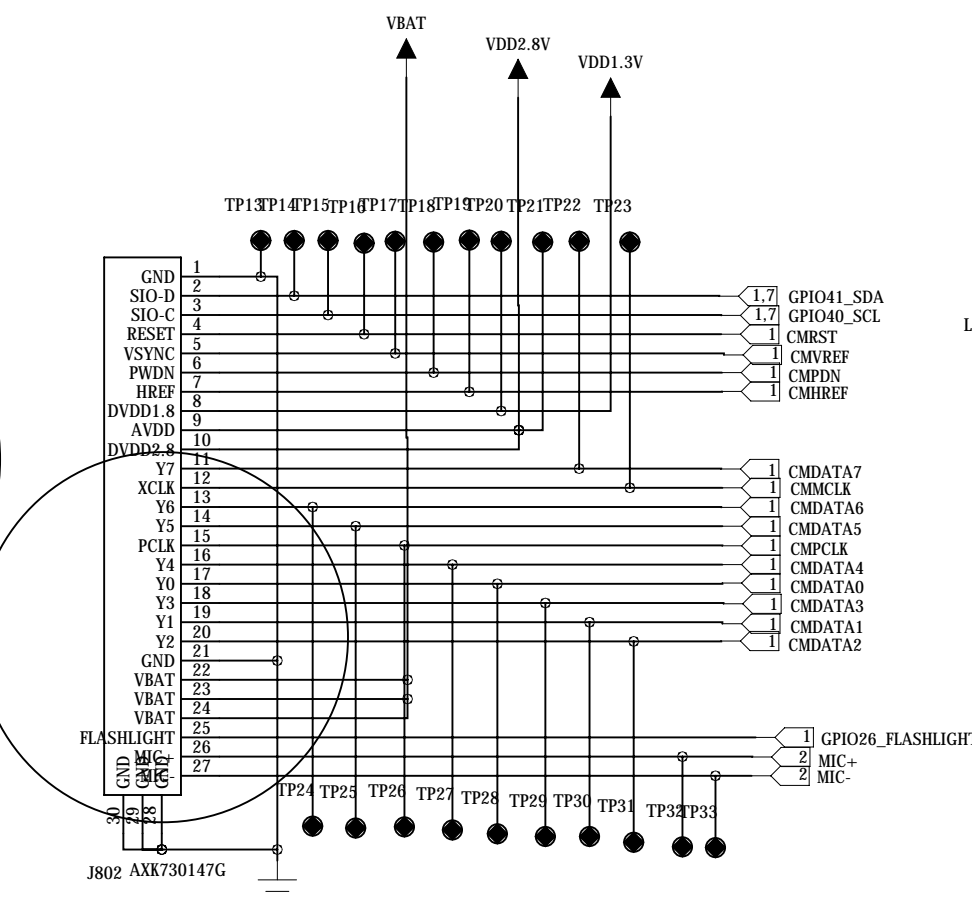
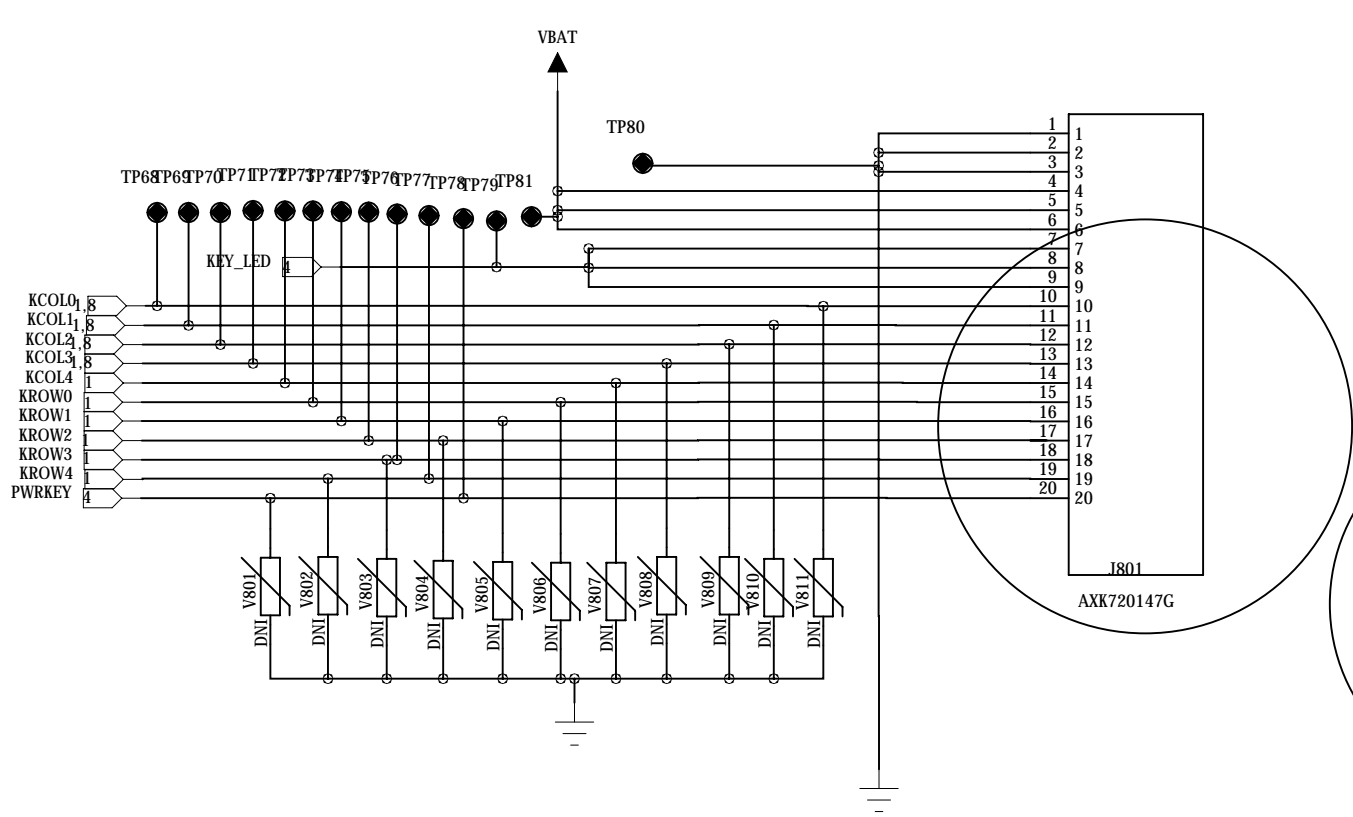
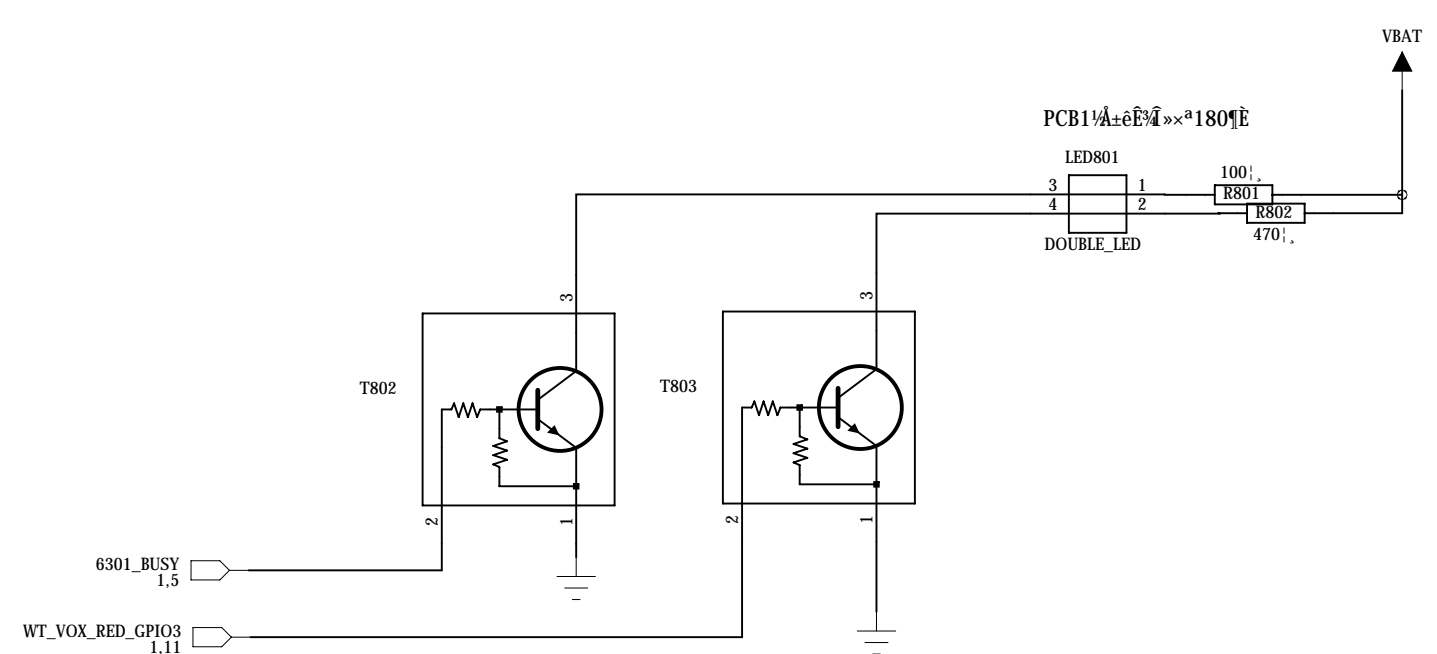
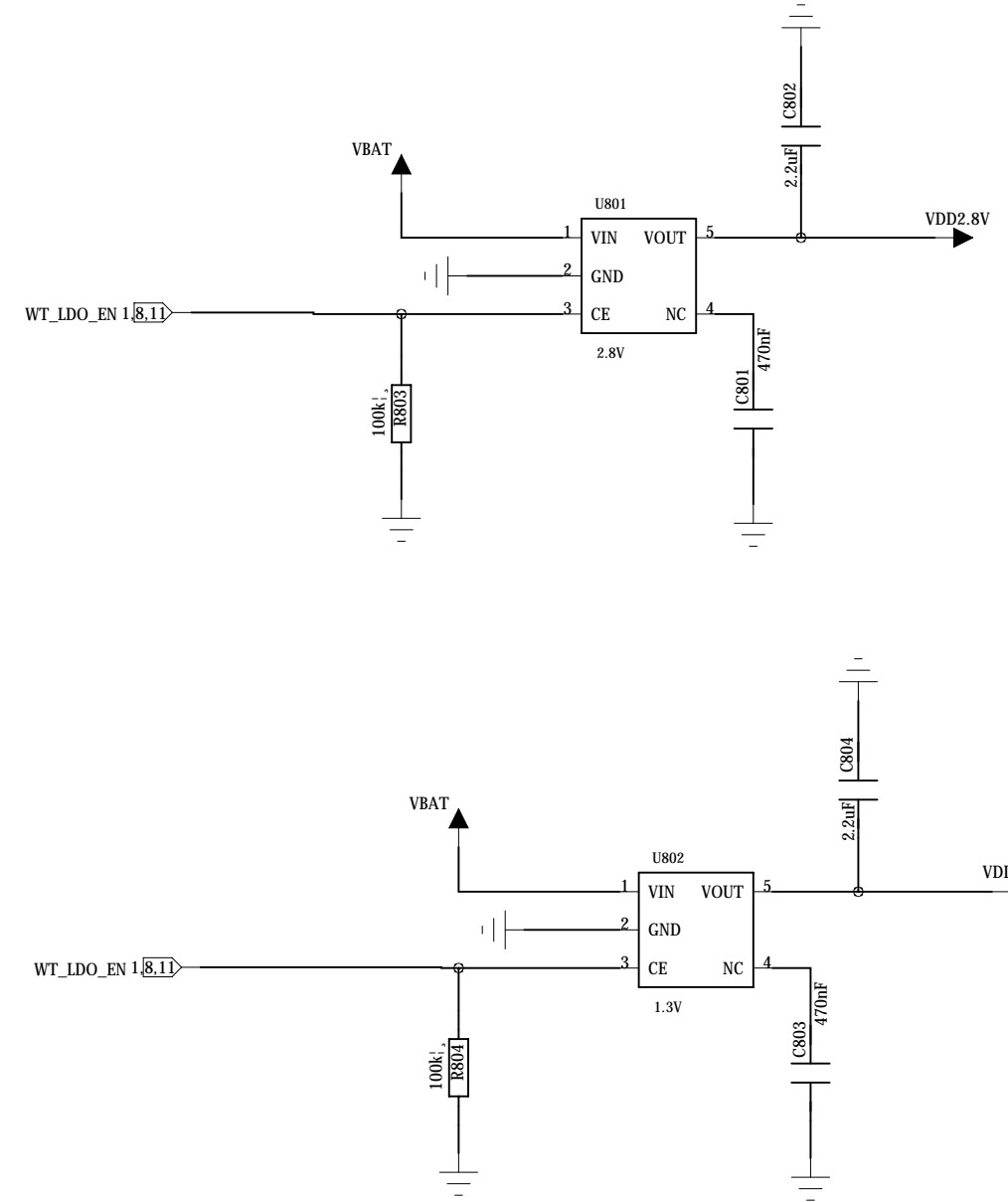
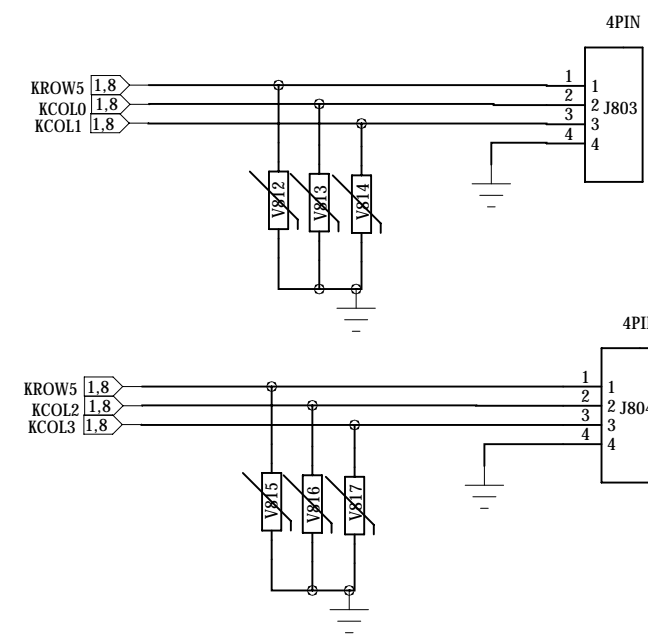
4

3

2

1

REVISION RECORD			
LTR	ECO NO.	APPROVED:	DATE:



D

D

C

C

B

B

A

A

DRAWN: <b>QiuQiuJun</b>	DATED:
CHECKED:	DATED:
QUALITY CONTROL:	DATED:
RELEASED:	DATED:

COMPANY: <b>Power Idea Technology Limited</b>			
TITLE:			
CODE:	SIZE: <b>C</b>	DRAWING NO:	REV: V1.0
SCALE:			SHEET: <b>8 OF 12</b>



6

5

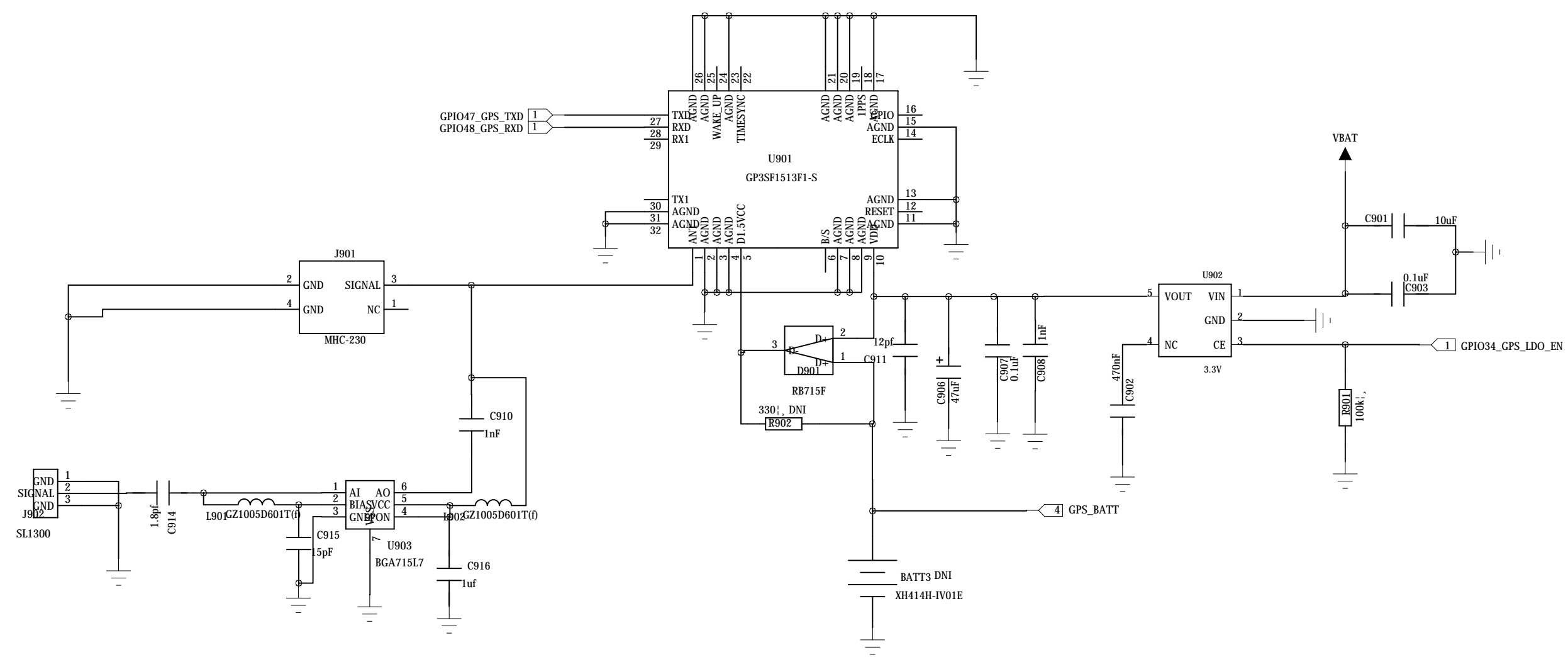
4

3

2

1

REVISION RECORD			
LTR	ECO NO:	APPROVED:	DATE:



COMPANY:			
TITLE:			
CODE:	SIZE:	DRAWING NO:	REV:
SCALE:			SHEET: 1 OF 12

DRAWN:	DATED:
CHECKED:	DATED:
QUALITY CONTROL:	DATED:
RELEASED:	DATED:

D  
C  
B  
A

D  
C  
B  
A

6

5

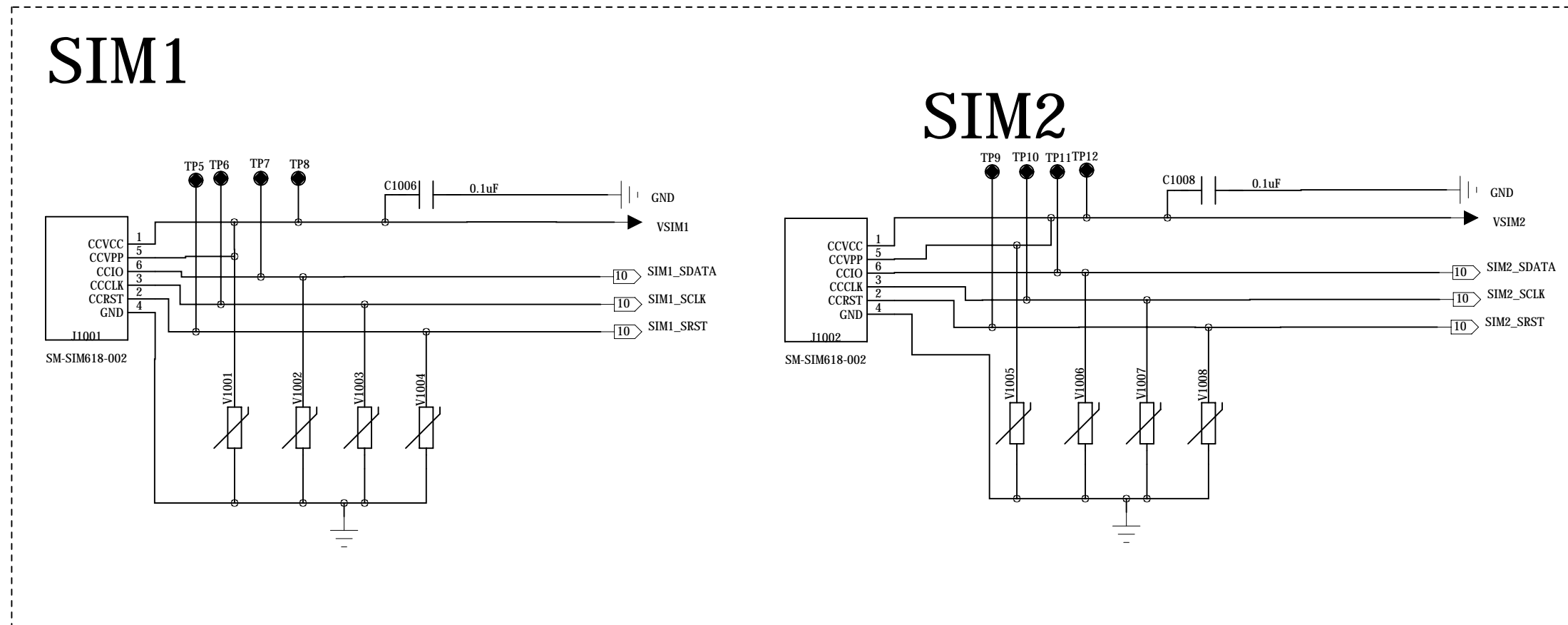
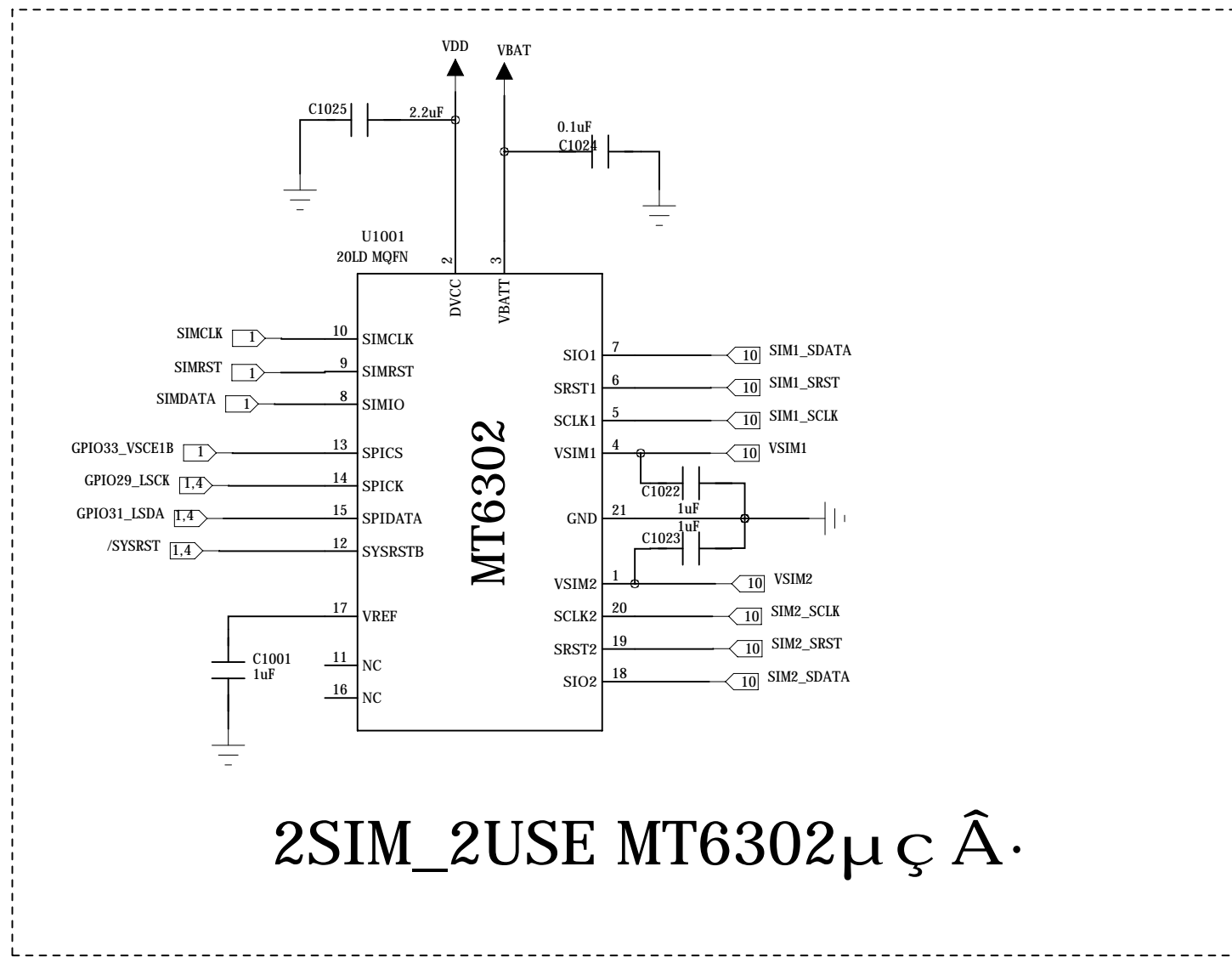
4

3

2

1

REVISION RECORD			
LTR	ECO NO:	APPROVED:	DATE:



COMPANY: **Power Idea Technology Limited**

TITLE:

DRAWN: <b>QiuQiuJun</b>	DATED:
CHECKED:	DATED:
QUALITY CONTROL:	DATED:
RELEASED:	DATED:

CODE:	SIZE: <b>C</b>	DRAWING NO:	REV: <b>V1.0</b>
SCALE:		SHEET: 10 OF 12	

6

5

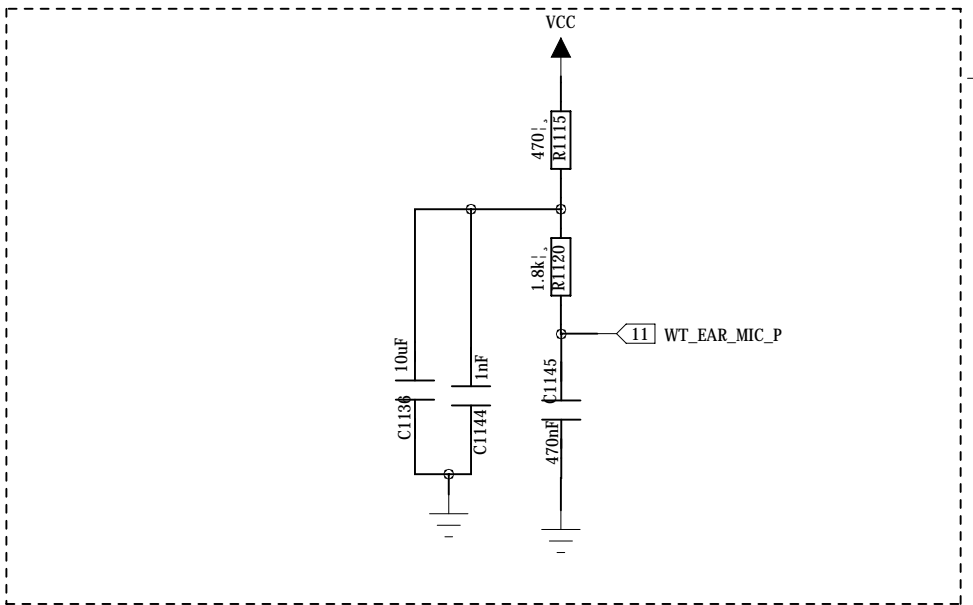
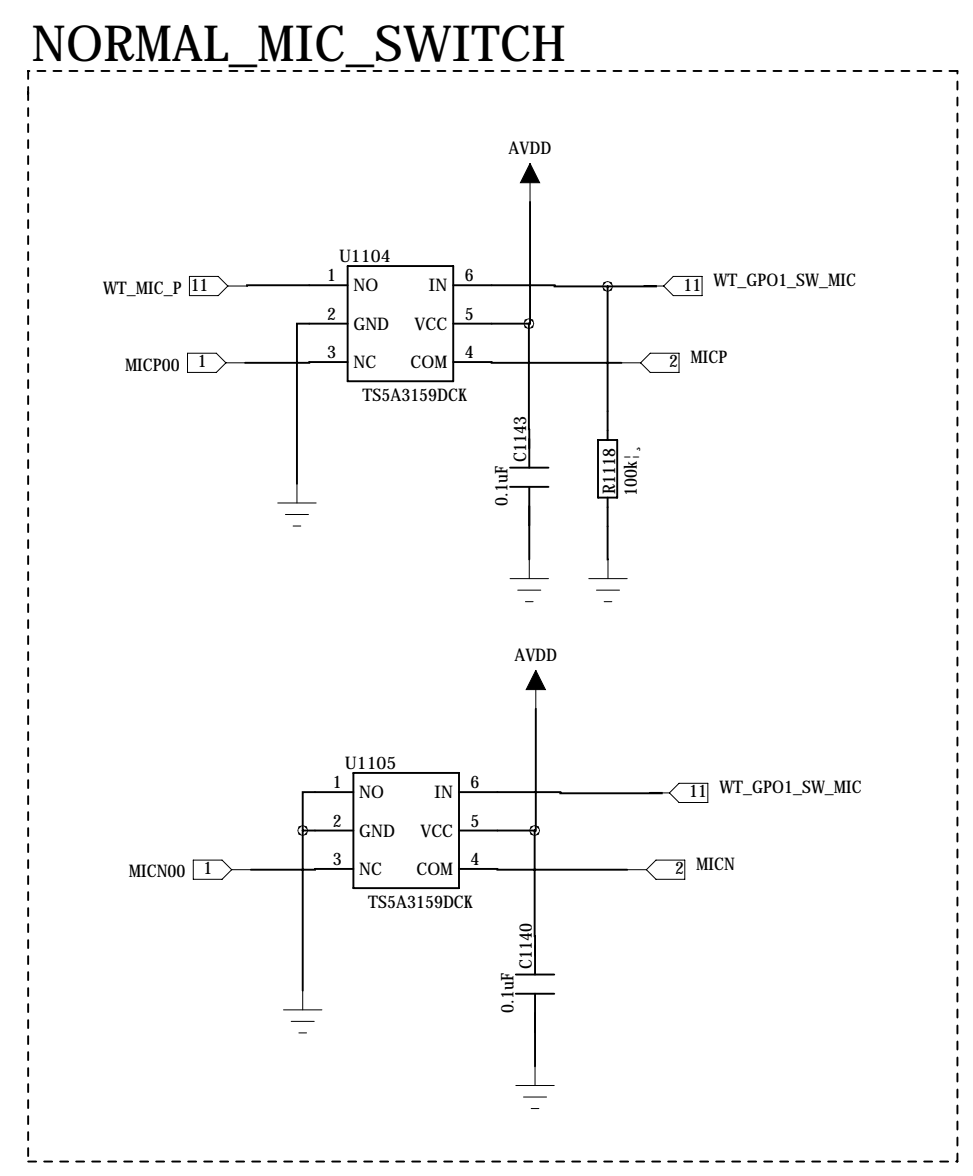
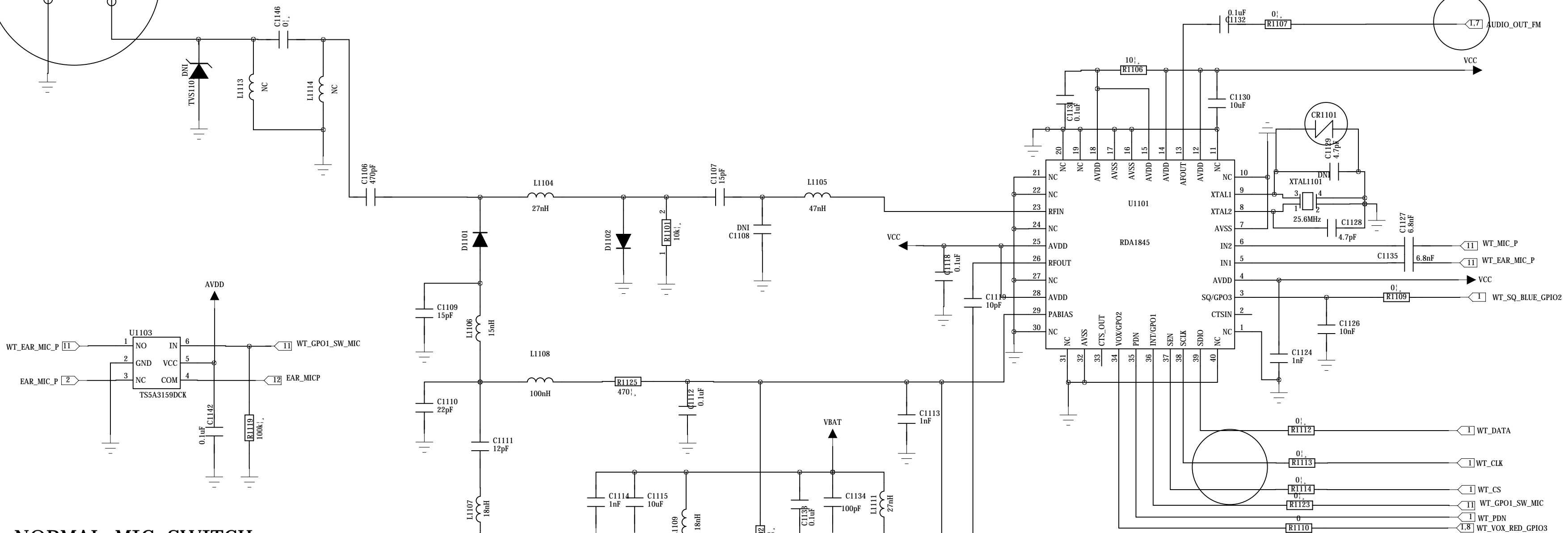
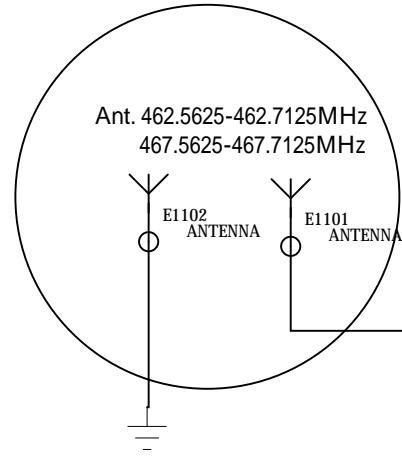
4

3

2

1

REVISION RECORD			
LTR	ECO NO:	APPROVED:	DATE:



DRAWN:	DATED:
CHECKED:	DATED:
QUALITY CONTROL:	DATED:
RELEASED:	DATED:

COMPANY:			
TITLE:			
CODE:	SIZE:	DRAWING NO:	REV:
SCALE:			SHEET: OF

6

5

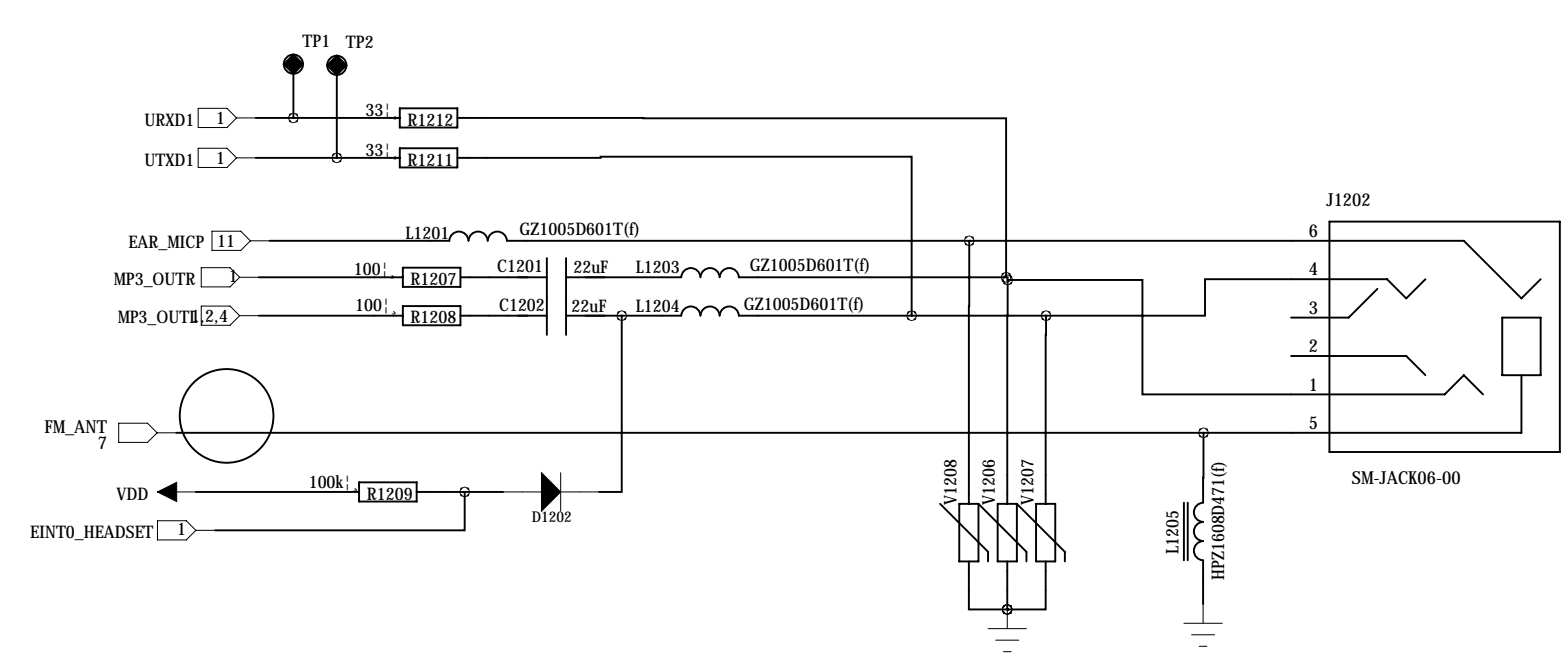
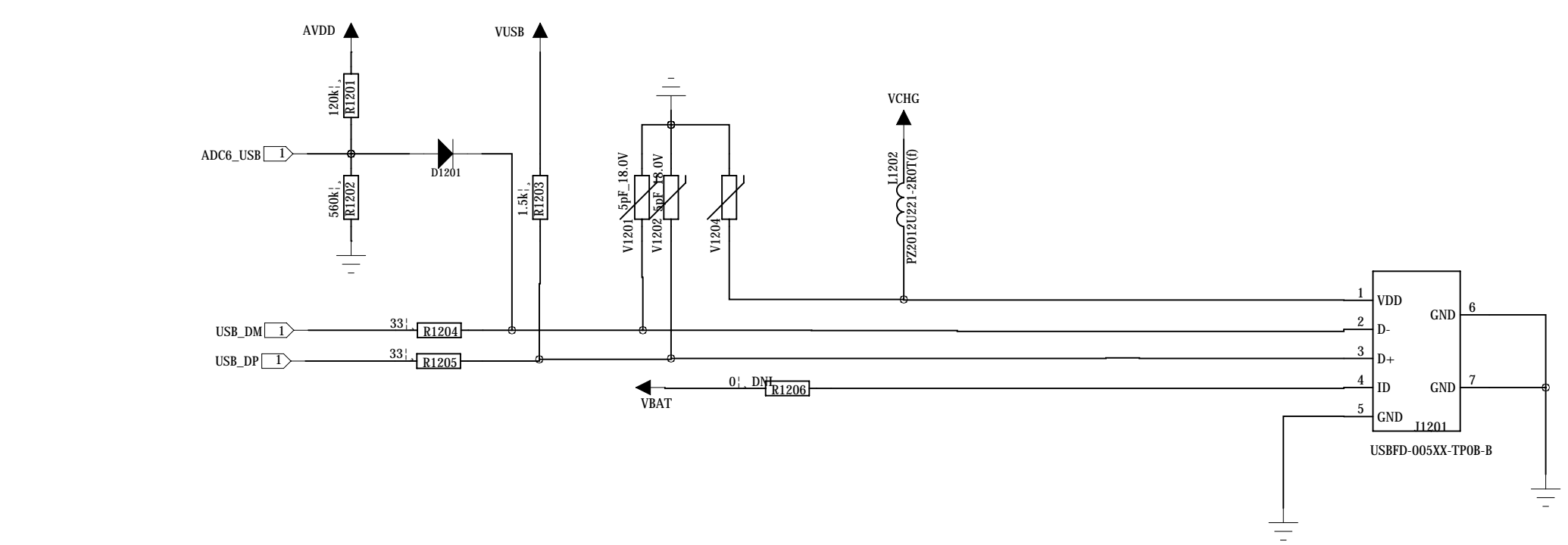
4

3

2

1

REVISION RECORD			
LTR	ECO NO:	APPROVED:	DATE:



COMPANY: Power Idea Technology Limited			
TITLE:			
CHECKED:	DATED:	CODE:	SIZE:
QUALITY CONTROL:	DATED:	DRAWING NO:	
RELEASED:	DATED:	REV: V1.0	
SCALE:			SHEET: 10 OF 12

DRAWN: QiuQiuJun	DATED:
CHECKED:	DATED:
QUALITY CONTROL:	DATED:
RELEASED:	DATED:

C

D

D

C

C

B

B

A

A

# LM851 ĨĥÄĵ Ô-Àĭ Ĩ¼ CHANGE LIST

, üÐÄÈÕÆÚ	, üÐÄÄÜÈÝ	, üÐÄÕß
2009/12/24	V3.1	
2010/01/12	ÐÐ, Ä»ØØôĨûÔëµçÂ.	
2010/01/18	ÐÐ, Ä±³¹â×èÖµ£-Ĩá, ΒÁÁ¶È	
2010/03/08	ÐÐ, Ä»ØØôĨûÔëµçÂ. I2CÉĨÀ- µçÑ¹ 2.8v vdd	