

## FCC Certification Test Report

**Report No.:** FC150318C06A

**Test Model:** S50c

**FCC ID:** ZL5S50C

**Received Date:** Mar. 24, 2015

**Test Date:** Apr. 05, 2015 ~ Apr. 12, 2015

**Issued Date:** Apr. 21, 2015

**Applicant:** Bullitt Group

**Address:** No. 4, The Aquarium, King Street, Reading, RG1 2AN United Kingdom

**Issued By:** Bureau Veritas Consumer Products Services (H.K.) Ltd., Taoyuan Branch

**Lab Address:** No. 19, Hwa Ya 2nd Rd, Wen Hwa Vil., Kwei Shan Dist., Taoyuan City 33383, Taiwan (R.O.C.)



This report is for your exclusive use. Any copying or replication of this report to or for any other person or entity, or use of our name or trademark, is permitted only with our prior written permission. This report sets forth our findings solely with respect to the test samples identified herein. The results set forth in this report are not indicative or representative of the quality or characteristics of the lot from which a test sample was taken or any similar or identical product unless specifically and expressly noted. Our report includes all of the tests requested by you and the results thereof based upon the information that you provided to us. You have 60 days from date of issuance of this report to notify us of any material error or omission caused by our negligence, provided, however, that such notice shall be in writing and shall specifically address the issue you wish to raise. A failure to raise such issue within the prescribed time shall constitute your unqualified acceptance of the completeness of this report, the tests conducted and the correctness of the report contents. Unless specific mention, the uncertainty of measurement has been explicitly taken into account to declare the compliance or non-compliance to the specification. The report must not be used by the client to claim product certification, approval, or endorsement by NVLAP, NIST, or any agency of the federal government. The report must not be used by the client to claim product certification, approval, or endorsement by TAF or any government agencies.



## Table of Contents

<b>Release Control Record</b> .....	<b>3</b>
<b>1 Certificate of Conformity</b> .....	<b>4</b>
<b>2 Summary of Test Results</b> .....	<b>5</b>
2.1 Measurement Uncertainty .....	5
2.2 Modification Record .....	5
<b>3 General Information</b> .....	<b>6</b>
3.1 Features of EUT .....	6
3.2 General Description of EUT .....	6
3.3 Operating Modes of EUT and Determination of Worst Case Operating Mode .....	7
3.4 Test Program Used and Operation Descriptions .....	7
3.5 Primary Clock Frequencies of Internal Source .....	7
3.6 Miscellaneous .....	8
<b>4 Configuration and Connections with EUT</b> .....	<b>9</b>
4.1 Connection Diagram of EUT and Peripheral Devices .....	9
4.2 Configuration of Peripheral Devices and Cable Connections .....	10
<b>5 Conducted Emissions at Mains Ports</b> .....	<b>11</b>
5.1 Limits .....	11
5.2 Test Instruments .....	11
5.3 Test Arrangement .....	12
5.4 Test Results .....	13
<b>6 Radiated Emissions up to 1 GHz</b> .....	<b>15</b>
6.1 Limits .....	15
6.2 Test Instruments .....	16
6.3 Test Arrangement .....	17
6.4 Test Results .....	18
<b>7 Radiated Emissions above 1 GHz</b> .....	<b>20</b>
7.1 Limits .....	20
7.2 Test Instruments .....	20
7.3 Test Arrangement .....	21
7.4 Test Results .....	22
<b>8 Pictures of Test Arrangements</b> .....	<b>24</b>
<b>Appendix – Information on the Testing Laboratories</b> .....	<b>25</b>



A D T

### Release Control Record

Issue No.	Description	Date Issued
FC150318C06A	Original Release	Apr. 21, 2015



## 2 Summary of Test Results

47 CFR FCC Part 15, Subpart B / ICES-003:2012 Issue 5, Class B

ANSI C63.4:2009

FCC Clause	ICES-003 Clause	Test Item	Result/Remarks	Verdict
15.107	6.1	AC Power Line Conducted Emissions	Minimum passing Class B margin is -0.43 dB at 5.21484 MHz	Pass
15.109	6.2.1	Radiated Emissions up to 1 GHz	Minimum passing Class B margin is -2.62 dB at 82.38 MHz	Pass
	6.2.2	Radiated Emissions above 1 GHz	Minimum passing Class B margin is -14.56 dB at 6916.00 MHz	Pass

Note: There is no deviation to the applied test methods and requirements covered by the scope of this report.

### 2.1 Measurement Uncertainty

Where relevant, the following measurement uncertainty levels have been estimated for tests performed on the EUT:

The listed uncertainties are the worst case uncertainty for the entire range of measurement. Please note that the uncertainty values are provided for informational purposes only and are not used in determining the PASS/FAIL results.

Measurement	Frequency	Expanded Uncertainty (k=2) ( $\pm$ )
Conducted Emissions at mains ports	150kHz ~ 30MHz	2.44 dB
Radiated Emissions up to 1 GHz	30MHz ~ 1GHz	4.70 dB
Radiated Emissions above 1 GHz	Above 1GHz	2.26 dB

### 2.2 Modification Record

There were no modifications required for compliance.

### 3 General Information

#### 3.1 Features of EUT

The tests reported herein were performed according to the method specified by Bullitt Group, for detailed feature description, please refer to the manufacturer's specifications or user's manual.

#### 3.2 General Description of EUT

Product	Rugged Smart Phone
Brand	CAT
Test Model	S50c
Operating Software	Android
Power Supply Rating	3.75Vdc (Battery) 5Vdc (Adapter or host equipment) 5Vdc (Wireless Charger)
Accessory Device	Refer to Note as below
Data Cable Supplied	1m shielded cable w/o core

Note:

- The EUT contains following accessory devices.

Product	Brand	Model	Description
Adapter	Liteon	PA-1050-05L3	I/P: 100-240Vac, 50/60Hz, 0.3A O/P: 5Vdc, 1A
Battery	Simplo Technology	A09TA008H	3.75Vdc, 2680mAh
USB Cable	BING CHUANG	BC-1.1M-AMCR5P	1m shielded cable w/o core
LCD Panel	Truly	BTFTSZ0192	--
Photo Camera	Chicony	CBAE821	--
Video Camera	Chicony	CIFDF31-1	--
Main Board	AT&S	14H08	--
eMMC	Hynix	H26M41103HPR	8GB
CPU	Qualcomm	MSM 8926	--

### 3.3 Operating Modes of EUT and Determination of Worst Case Operating Mode

Test modes are presented in the report as below.

Mode	Test Condition
	Conducted Emission and Radiated Emission
1	CDMA BC0 Idle + BT Idle + WLAN (2.4G) Idle + USB Cable + Earphone + Adapter + NFC On + GPS + GLONASS Rx
2	CDMA BC1 Idle + BT Idle + WLAN (5G) Idle + USB Cable + Earphone + Adapter + NFC On + ANT+
3	LTE Band 4 Idle + BT Idle + WLAN (2.4G) Idle + USB Cable + Earphone + USB Link + NFC On + Camera
4	LTE Band 13 Idle + BT Idle + WLAN (5G) Idle + USB Cable + Earphone + Wireless Charger + MPEG4

Remark:

1. For conducted emission test, test mode 4 was the worst case and only this mode was presented in the report.
2. For radiated emission test, test mode 4 was the worst case and only this mode was presented in the report.

### 3.4 Test Program Used and Operation Descriptions

- a. Inserted SD card into the EUT.
- b. The EUT charged from wireless charger.
- c. The EUT linked with Bluetooth earphone in idle mode.
- d. The EUT played MPEG4 and connected to the earphone.
- e. The EUT communicated data with the Universal Radio Communication Tester and Wireless AP, which acted as communication partners.
- f. Set WWAN and WLAN function in idle mode.

### 3.5 Primary Clock Frequencies of Internal Source

The highest frequency generated or used within the EUT or on which the EUT operates or tunes is 5 GHz, provided by Bullitt Group, for detailed internal source, please refer to the manufacturer's specifications.

### 3.6 Miscellaneous

#### Labelling Requirements for Part 15 Devices:

➤ Verification

The specific labelling requirements for a device subject to the Verification procedure are contained in Section 15.19(a). These labelling requirements are:

If the device is subject only to Verification, include a label bearing a unique identifier (Section 2.954) and one of three compliance statements specified in Section 15.19(a). If the labeling area for the device is so small, and/or it is not practical to place the compliance statement on the device, then the statement can be placed in the user manual or product packaging (Section 15.19(a)(5)). However, the device must still be labelled with the unique identifier (Verification). Generally, devices smaller than the palm of the hand are considered too small for the compliance statement.

➤ Certification

If the device is subject to Certification: (1) Section 2.925 contains information on identification of the equipment; (2) include a label bearing an FCC Identifier (FCC ID) (Section 2.926) and (3) include the appropriate compliance statement in Section 15.19(a). If the device is considered too small and therefore it is impractical (smaller than the palm of the hand) to display the compliance statement, then the statement may be placed in the user manual or product packaging. However, the device must still be labelled with the FCC ID. If the device is unquestionably too small for the FCC ID to be readable (smaller than 4-6 points), the FCC ID may be placed in the user manual. However, it must be determined that the device itself is too small – the label area allocated to the FCC ID may not be reduced because of over crowded identification of other product and regulatory information.

An electronic display of the FCC ID (see 9. Electronic Labelling below) may be used for Certification of Section 15.212 modular transmitters and software defined radios (Section 2.944).

➤ Declaration of Conformity (DoC):

The labelling requirements for a device subject to the DoC procedure are specified in Section 15.19(b). The label should include the FCC logo along with the Trade Name and Model Number, which satisfies the unique identifier requirement of Section 2.1074 if it represents the identical equipment tested for DoC compliance. For personal computers assembled from authorized components, the following additional text must also be included: “Assembled from tested components,” “Complete system not tested.” When the device is so small and/or when it is not practical to place the required additional text on the device, the text may be placed in the user manual or pamphlet supplied to the user. However, the FCC logo, Trade Name, and Model Number must still be displayed on the device (Section 15.19(b)(3)).



Part 15 Declaration of Conformity (DoC) Label Examples

Equipment certified as software defined radio may use a means that readily displays the FCC ID on an electronic display screen, instead of labelling the device (Section 2.925 (e)).

Further information may refer to FCC KDB:784748 D01 Labelling Part 15 &18 Guidelines

#### Labelling Requirements for ICES-003 Devices:

➤ Industry Canada ICES-003 Compliance Label:

*CAN ICES-3 (\*)/NMB-3(\*)*

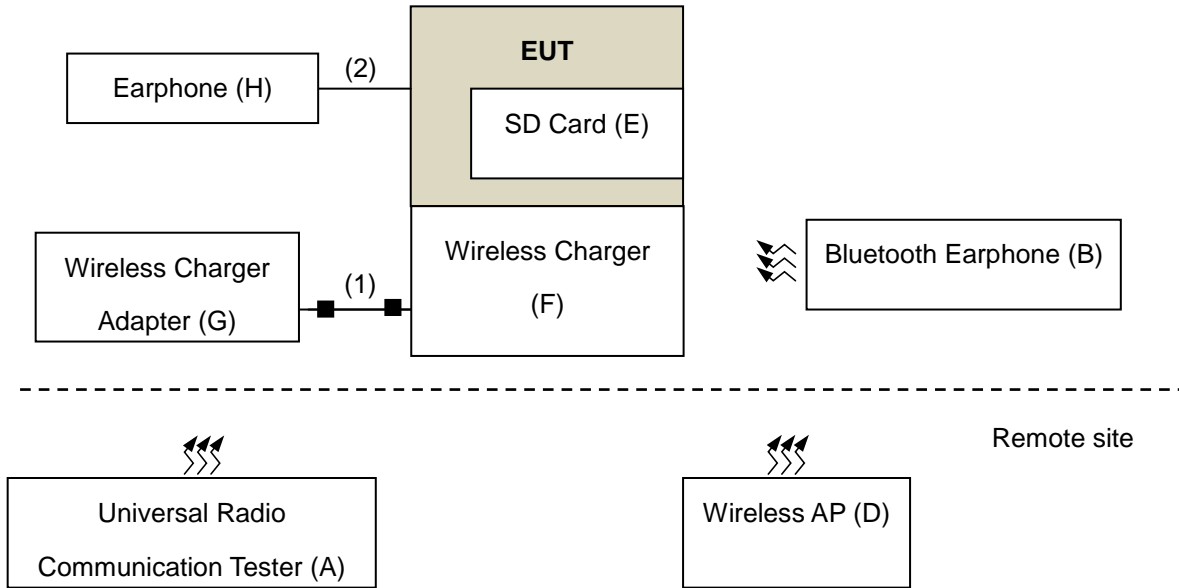
\* Insert either “A” or “B” but not both to identify the applicable Class of ITE.



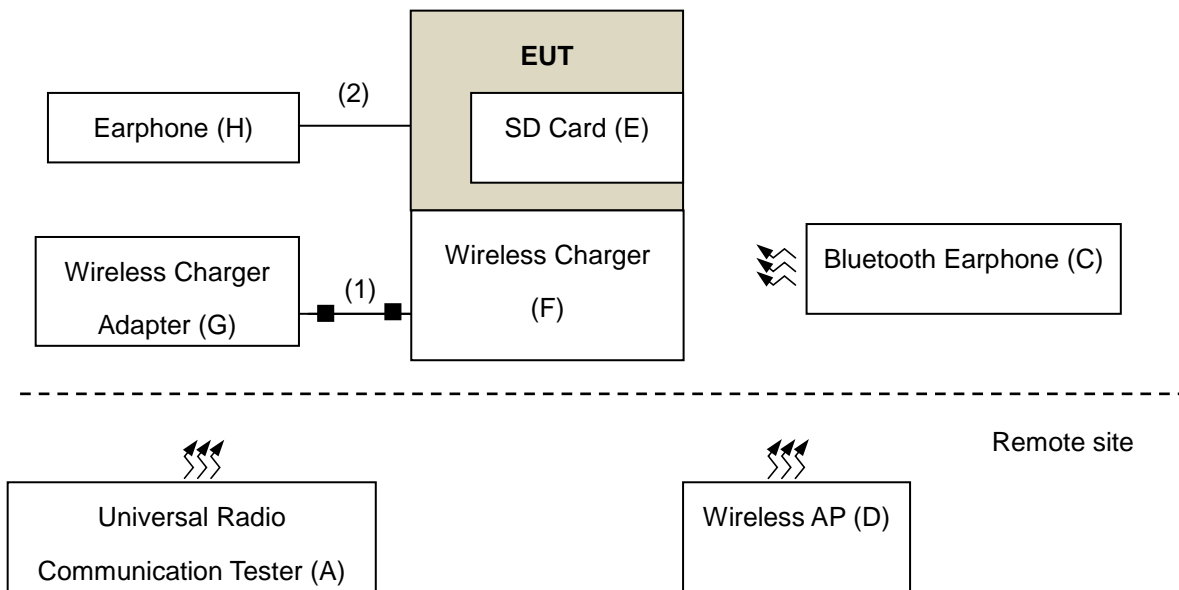
#### 4 Configuration and Connections with EUT

##### 4.1 Connection Diagram of EUT and Peripheral Devices

<Conducted Emission Test>



<Radiated Emission Test>





#### 4.2 Configuration of Peripheral Devices and Cable Connections

ID	Product	Brand	Model No.	Serial No.	FCC ID	Remarks
A.	Universal Radio Communication Tester	R&S	CMU200	122554	N/A	--
B.	Bluetooth Earphone	ELECOM	LBT-MPHS400	N/A	N/A	--
C.	Bluetooth Earphone	Moto	N136	N/A	N/A	--
D.	Wireless N Dual band Router	D-LINK	DIR-815	PVK21B5000399	KA21R815A1	--
E.	SD Card	Transcend	N/A	N/A	N/A	--
F.	Wireless Charger	Energizer	IC2B	N/A	N/A	--
G.	Wireless Charger Adapter	Energizer	APS-A02409023W-G	N/A	N/A	--
H.	Earphone	Apple	N/A	N/A	N/A	--

**Note:**

1. All power cords of the above support units are non-shielded (1.8m).
2. Items A-D acted as communication partners to transfer data.

ID	Descriptions	Qty.	Length (m)	Shielding (Yes/No)	Cores (Qty.)	Remarks
1.	Adapter Cable	1	1.8	N	2	--
2.	Earphone Cable	1	1.5	N	0	--

Note: The core(s) is (are) originally attached to the cable(s).



## 5 Conducted Emissions at Mains Ports

### 5.1 Limits

Frequency (MHz)	Class A (dBuV)		Class B (dBuV)	
	Quasi-peak	Average	Quasi-peak	Average
0.15 - 0.5	79	66	66 - 56	56 - 46
0.50 - 5.0	73	60	56	46
5.0 - 30.0	73	60	60	50

Notes: 1. The lower limit shall apply at the transition frequencies.  
2. The limit decreases linearly with the logarithm of the frequency in the range of 0.15 to 0.50 MHz.

### 5.2 Test Instruments

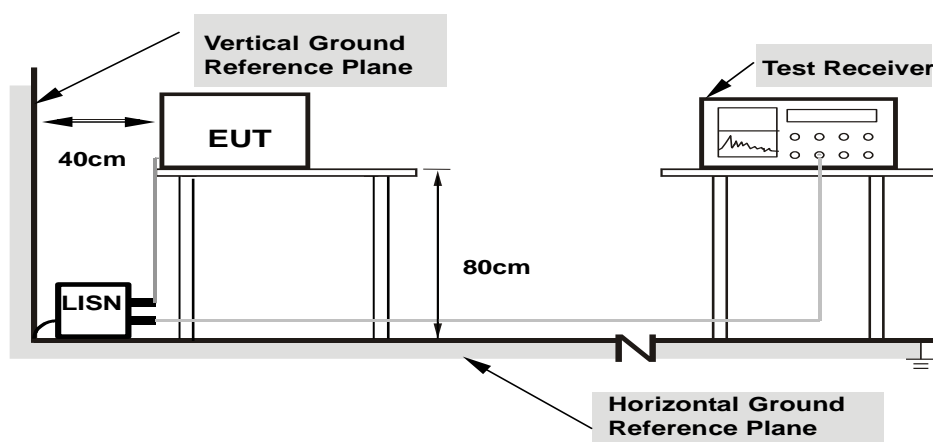
DESCRIPTION & MANUFACTURER	MODEL NO.	SERIAL NO.	DATE OF CALIBRATION	DUE DATE OF CALIBRATION
Test Receiver ROHDE & SCHWARZ	ESCS30	100288	Apr. 24, 2014	Apr. 23, 2015
RF signal cable Woken	5D-FB	Cable-HYCO2-01	Dec. 26, 2014	Dec. 25, 2015
LISN ROHDE & SCHWARZ (EUT)	ESH2-Z5	100100	Dec. 30, 2014	Dec. 29, 2015
LISN ROHDE & SCHWARZ (Peripheral)	ESH3-Z5	100312	Jul. 10, 2014	Jul. 09, 2015
Software ADT	BV ADT_Cond_ V7.3.7.3	NA	NA	NA

**Note:** 1. The calibration interval of the above test instruments is 12 months and the calibrations are traceable to NML/ROC and NIST/USA.  
2. The test was performed in HwaYa Shielded Room 2.  
3. The VCCI Site Registration No. is C-2047.

### 5.3 Test Arrangement

- a. The EUT was placed 0.4 meters from the conducting wall of the shielded room with EUT being connected to the power mains through a line impedance stabilization network (LISN). Other support units were connected to the power mains through another LISN. The two LISNs provide 50 Ohm/ 50uH of coupling impedance for the measuring instrument.
- b. Both lines of the power mains connected to the EUT were checked for maximum conducted interference.
- c. The test results of conducted emissions at mains ports are recorded of six worst margins for quasi-peak (mandatory) [and average (if necessary)] values against the limits at frequencies of interest unless the margin is 20 dB or greater.

Note: The resolution bandwidth and video bandwidth of test receiver is 9kHz for quasi-peak detection (QP) and average detection (AV) at frequency 0.15MHz-30MHz.



- Note:**
- 1. Support units were connected to second LISN.
  - 2. Both of LISNs (AMN) are 80 cm from EUT and at least 80 cm from other units and other metal planes

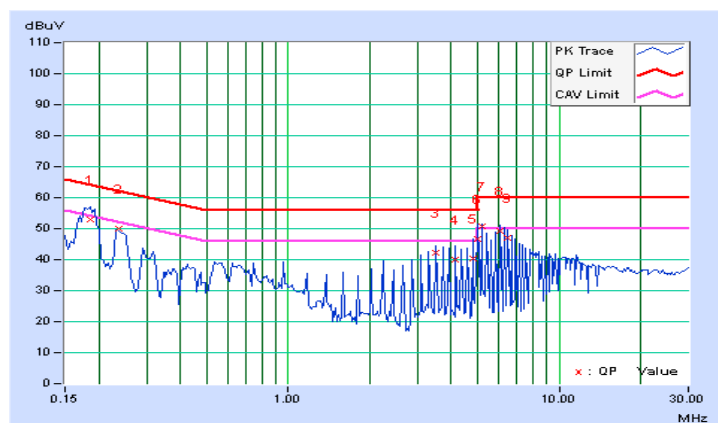
### 5.4 Test Results

Frequency Range	150kHz ~ 30MHz	Detector Function & Resolution Bandwidth	Quasi-Peak (QP), 9kHz Average (AV), 9kHz
Input Power	120Vac, 60Hz	Environmental Conditions	24°C, 66%RH
Tested by	Fox Chang	Test Date	2015/4/5
Test Mode	Mode 4		

Phase Of Power : Line (L)										
No	Frequency (MHz)	Correction Factor (dB)	Reading Value (dBuV)		Emission Level (dBuV)		Limit (dBuV)		Margin (dB)	
			Q.P.	AV.	Q.P.	AV.	Q.P.	AV.	Q.P.	AV.
1	0.18516	0.17	52.93	40.92	53.10	41.09	64.25	54.25	-11.15	-13.16
2	0.23594	0.17	49.68	34.60	49.85	34.77	62.24	52.24	-12.39	-17.47
3	3.49012	0.33	42.01	30.72	42.34	31.05	56.00	46.00	-13.66	-14.95
4	4.14844	0.35	39.60	33.19	39.95	33.54	56.00	46.00	-16.05	-12.46
5	4.78906	0.36	39.91	36.69	40.27	37.05	56.00	46.00	-15.73	-8.95
6	5.00000	0.37	46.30	44.12	46.67	44.49	56.00	46.00	-9.33	-1.51
7	5.21094	0.37	50.44	49.16	50.81	49.53	60.00	50.00	-9.19	-0.47
8	6.06250	0.38	48.75	47.11	49.13	47.49	60.00	50.00	-10.87	-2.51
9	6.48828	0.39	46.77	44.31	47.16	44.70	60.00	50.00	-12.84	-5.30

Remarks:

1. Q.P. and AV. are abbreviations of quasi-peak and average individually.
2. The emission levels of other frequencies were very low against the limit.
3. Margin value = Emission level – Limit value
4. Correction factor = Insertion loss + Cable loss
5. Emission Level = Correction Factor + Reading Value

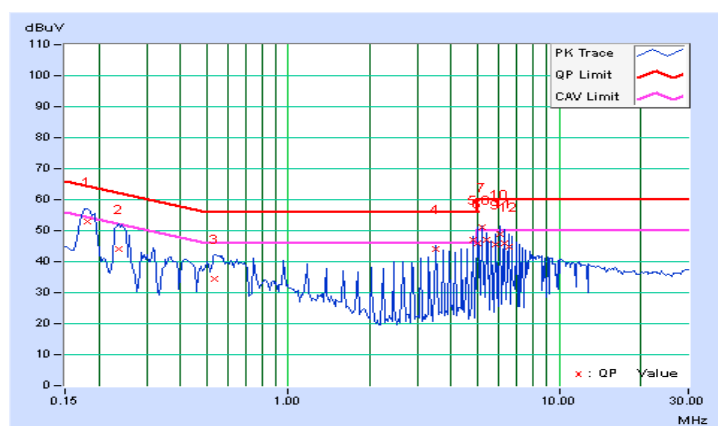


Frequency Range	150kHz ~ 30MHz	Detector Function & Resolution Bandwidth	Quasi-Peak (QP), 9kHz Average (AV), 9kHz
Input Power	120Vac, 60Hz	Environmental Conditions	24°C, 66%RH
Tested by	Fox Chang	Test Date	2015/4/5
Test Mode	Mode 4		

Phase Of Power : Neutral (N)										
No	Frequency (MHz)	Correction Factor (dB)	Reading Value (dBuV)		Emission Level (dBuV)		Limit (dBuV)		Margin (dB)	
			Q.P.	AV.	Q.P.	AV.	Q.P.	AV.	Q.P.	AV.
1	0.18125	0.18	52.85	41.33	53.03	41.51	64.43	54.43	-11.40	-12.92
2	0.23594	0.18	43.87	39.18	44.05	39.36	62.24	52.24	-18.18	-12.87
3	0.53672	0.21	34.12	24.03	34.33	24.24	56.00	46.00	-21.67	-21.76
4	3.51172	0.36	43.89	41.83	44.25	42.19	56.00	46.00	-11.75	-3.81
5	4.78906	0.40	46.49	43.63	46.89	44.03	56.00	46.00	-9.11	-1.97
6	5.00391	0.41	45.39	41.55	45.80	41.96	60.00	50.00	-14.20	-8.04
<b>7</b>	<b>5.21484</b>	<b>0.41</b>	<b>50.59</b>	<b>49.16</b>	<b>51.00</b>	<b>49.57</b>	<b>60.00</b>	<b>50.00</b>	<b>-9.00</b>	<b>-0.43</b>
8	5.42969	0.42	46.45	41.43	46.87	41.85	60.00	50.00	-13.13	-8.15
9	5.85547	0.43	45.18	40.88	45.61	41.31	60.00	50.00	-14.39	-8.69
10	6.06641	0.43	48.41	43.33	48.84	43.76	60.00	50.00	-11.16	-6.24
11	6.28125	0.44	45.44	43.70	45.88	44.14	60.00	50.00	-14.12	-5.86
12	6.49219	0.44	44.49	43.97	44.93	44.41	60.00	50.00	-15.07	-5.59

Remarks:

1. Q.P. and AV. are abbreviations of quasi-peak and average individually.
2. The emission levels of other frequencies were very low against the limit.
3. Margin value = Emission level – Limit value
4. Correction factor = Insertion loss + Cable loss
5. Emission Level = Correction Factor + Reading Value



## 6 Radiated Emissions up to 1 GHz

### 6.1 Limits

Emissions radiated outside of the specified bands, shall be according to the general radiated limits as following:

Radiated Emissions Limits at 10 meters (dB $\mu$ V/m)				
Frequencies (MHz)	FCC 15B / ICES-003, Class A	FCC 15B / ICES-003, Class B	CISPR 22, Class A	CISPR 22, Class B
30-88	39	29.5	40	30
88-216	43.5	33.1		
216-230	46.4	35.6		
230-960			47	37
960-1000	49.5	43.5		

Radiated Emissions Limits at 3 meters (dB $\mu$ V/m)				
Frequencies (MHz)	FCC 15B / ICES-003, Class A	FCC 15B / ICES-003, Class B	CISPR 22, Class A	CISPR 22, Class B
30-88	49.5	40	50.5	40.5
88-216	54	43.5		
216-230	56.9	46		
230-960			57.5	47.5
960-1000	60	54		

- Notes: 1. The lower limit shall apply at the transition frequencies.  
 2. Emission level (dB $\mu$ V/m) = 20 log Emission level (uV/m).  
 3. QP detector shall be applied if not specified.



## 6.2 Test Instruments

DESCRIPTION & MANUFACTURER	MODEL NO.	SERIAL NO.	DATE OF CALIBRATION	DUE DATE OF CALIBRATION
Test Receiver Agilent	N9038A	MY51210203	Jan. 21, 2015	Jan. 21, 2016
Spectrum Analyzer Agilent	N9010A	MY52220314	Sep. 03, 2014	Sep. 02, 2015
BILOG Antenna SCHWARZBECK	VULB9168	9168-472	Feb. 04, 2015	Feb. 04, 2016
HORN Antenna SCHWARZBECK	BBHA 9120 D	9120D-969	Feb. 09, 2015	Feb. 09, 2016
HORN Antenna SCHWARZBECK	BBHA 9170	9170-480	Aug. 27, 2014	Aug. 26, 2015
Preamplifier EMCI	EMC 012645	980115	Dec. 12, 2014	Dec. 11, 2015
Preamplifier EMCI	EMC 184045	980116	Jan. 09, 2015	Jan. 08, 2016
Preamplifier EMCI	EMC 330H	980112	Dec. 27, 2014	Dec. 26, 2015
RF signal cable HUBER+SUHNNER	SUCOFLEX 104	309219/4 2950114	Oct. 18, 2014	Oct. 17, 2015
RF signal cable HUBER+SUHNNER	SUCOFLEX 104	250130/4	Oct. 18, 2014	Oct. 17, 2015
RF Coaxial Cable Worken	8D-FB	Cable-Ch10-01	Nov. 07, 2014	Nov. 06, 2015
Software BV ADT	E3 6.120103	NA	NA	NA
Antenna Tower MF	MFA-440H	NA	NA	NA
Turn Table MF	MFT-201SS	NA	NA	NA
Antenna Tower & Turn Table Controller MF	MF-7802	NA	NA	NA

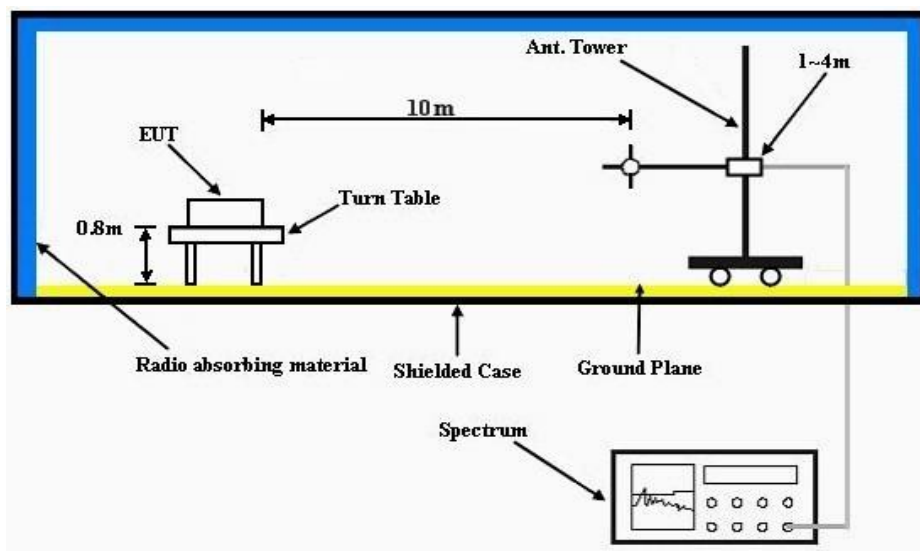
- Note:**
1. The calibration interval of the above test instruments is 12 months and the calibrations are traceable to NML/ROC and NIST/USA.
  2. The test was performed in HwaYa Chamber 10.
  3. The horn antenna and HP preamplifier (model: 8449B) are used only for the measurement of emission frequency above 1GHz if tested.
  4. The FCC Site Registration No. is 690701.
  5. The IC Site Registration No. is IC 7450F-10.



### 6.3 Test Arrangement

- The EUT was placed on the top of a rotating table 0.8 meters above the ground at an accredited test facility. The table was rotated 360 degrees to determine the position of the highest radiation.
- The EUT was set 10 meters away from the interference-receiving antenna, which was mounted on the top of a variable-height antenna tower.
- The antenna is a broadband antenna, and its height is varied from one meter to four meters above the ground to determine the maximum value of the field strength. Both horizontal and vertical polarizations of the antenna are set to make the measurement.
- For each suspected emission, the EUT was arranged to its worst case and then the antenna was tuned to heights from 1 meter to 4 meters and the rotatable table was turned from 0 degrees to 360 degrees to find the maximum reading.
- The test-receiver system was set to quasi-peak detect function and specified bandwidth with maximum hold mode when the test frequency is below 1 GHz.

Note: The resolution bandwidth and video bandwidth of test receiver/spectrum analyzer is 120kHz for quasi-peak detection (QP) at frequency below 1GHz.



### 6.4 Test Results

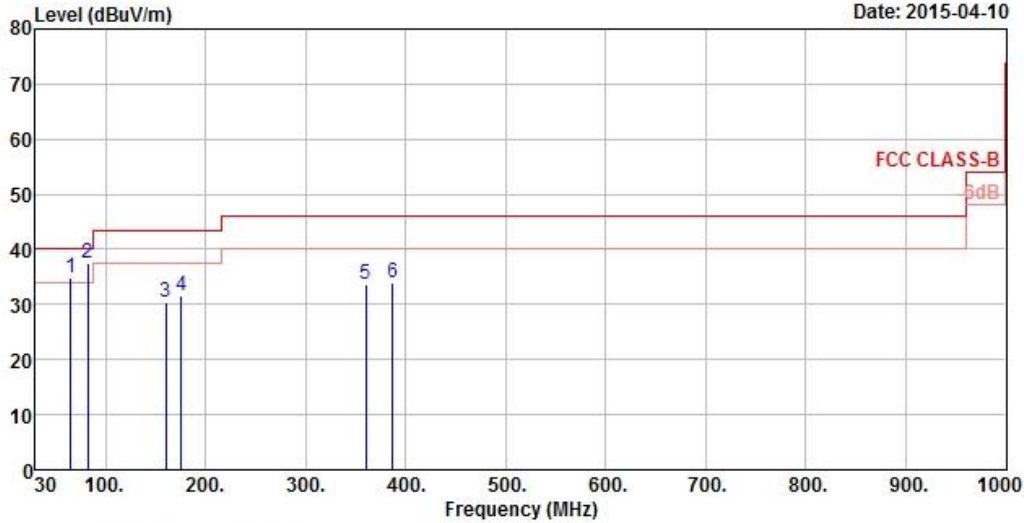


Bureau Veritas Consumer Products Services Ltd., Taoyuan Branch

A D T

Data: 11

Date: 2015-04-10



Site : 966 Chamber 5  
 Condition: FCC CLASS-B 3m HORIZONTAL  
 Remark :  
 : Mode 4 Wireless Charge  
 Tested by: Gavin Wu  
 Power : AC 120V / 60 Hz

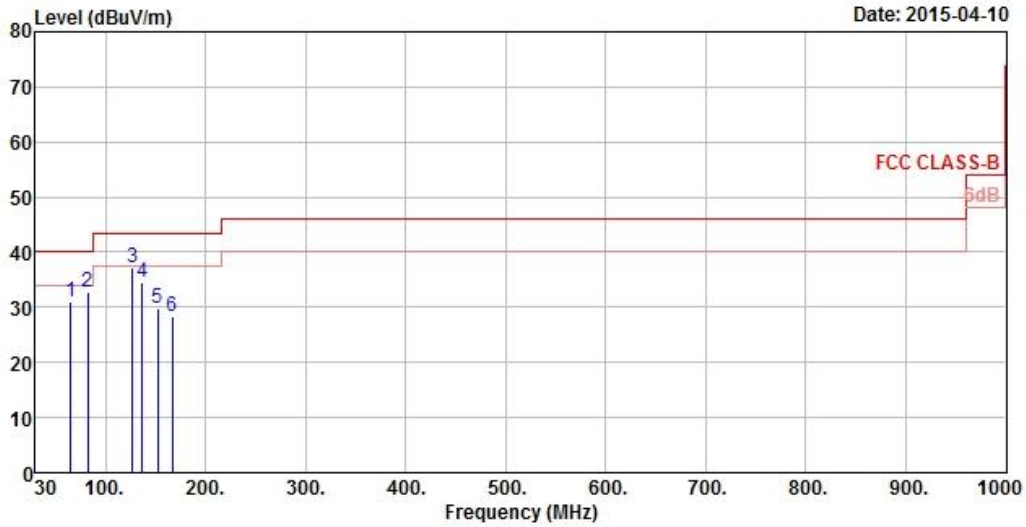
	Freq	Level	Read Level	Limit Line	OverAntenna Limit	Antenna Factor	Cable Loss	Preamp Factor	A/Pos	T/Pos	Remark
	MHz	dBuV/m	dBuV	dBuV/m	dB	dB/m	dB	dB	cm	deg	
1	pk	64.92	34.83	54.23	40.00	-5.17	11.35	0.84	31.59	105	189 Peak
2	pp	82.38	37.38	59.91	40.00	-2.62	8.16	0.91	31.60	197	57 QP
3		159.98	30.55	48.55	43.50	-12.95	12.73	1.15	31.88	150	103 Peak
4		175.50	31.59	51.03	43.50	-11.91	11.19	1.16	31.79	187	196 Peak
5		359.80	33.62	49.42	46.00	-12.38	14.38	1.79	31.97	108	123 Peak
6		386.96	34.00	49.11	46.00	-12.00	15.03	1.87	32.01	155	188 Peak



Bureau Veritas Consumer Products Services Ltd., Taoyuan Branch

A D T

Data: 12



Site : 966 Chamber 5  
 Condition: FCC CLASS-B 3m VERTICAL  
 Remark :  
 : Mode 4 Wireless Charge  
 Tested by: Gavin Wu  
 Power : AC 120V / 60 Hz

	Freq	Level	Read Level	Limit Line	OverAntenna Limit	Antenna Factor	Cable Loss	Preamp Factor	A/Pos	T/Pos	Remark
	MHz	dBuV/m	dBuV	dBuV/m	dB	dB/m	dB	dB	cm	deg	
1	64.92	30.97	50.37	40.00	-9.03	11.35	0.84	31.59	111	179	Peak
2 qp	82.38	32.76	55.29	40.00	-7.24	8.16	0.91	31.60	234	145	QP
3 pp	127.00	37.06	56.33	43.50	-6.44	11.48	1.14	31.89	125	160	Peak
4	136.70	34.46	52.89	43.50	-9.04	12.14	1.14	31.71	158	203	Peak
5	152.22	29.86	47.69	43.50	-13.64	12.71	1.12	31.66	130	120	Peak
6	166.77	28.20	46.79	43.50	-15.30	12.05	1.13	31.77	185	223	Peak

## 7 Radiated Emissions above 1 GHz

### 7.1 Limits

Emissions radiated outside of the specified bands, shall be according to the general radiated limits as following:

Radiated Emissions Limits at 10 meters (dBµV/m)				
Frequencies (MHz)	FCC 15B / ICES-003, Class A	FCC 15B / ICES-003, Class B	CISPR 22, Class A	CISPR 22, Class B
1000-3000	Avg: 49.5	Avg: 43.5	Not defined	Not defined
Above 3000	Peak: 69.5	Peak: 63.5	Not defined	Not defined

Radiated Emissions Limits at 3 meters (dBµV/m)				
Frequencies (MHz)	FCC 15B / ICES-003, Class A	FCC 15B / ICES-003, Class B	CISPR 22, Class A	CISPR 22, Class B
1000-3000	Avg: 60	Avg: 54	Avg: 56 Peak: 76	Avg: 50 Peak: 70
Above 3000	Peak: 80	Peak: 74	Avg: 60 Peak: 80	Avg: 54 Peak: 74

- Notes:
1. The lower limit shall apply at the transition frequencies.
  2. Emission level (dBµV/m) = 20 log Emission level (uV/m).
  3. As shown in 15.35(b), for frequencies above 1000MHz, the field strength limits are based on average detector, however, the peak field strength of any emission shall not exceed the maximum permitted average limits, specified above by more than 20dB under any condition of modulation.

Radiated Emissions Limits at 1.5 meters (dBµV/m)		
Frequencies (MHz)	FCC 15B / ICES-003, Class A	FCC 15B / ICES-003, Class B
Above 18000	Avg: 66 Peak: 86	Avg: 60 Peak: 80

Note: Limit@1.5m = Limit@3m + 20log(3/1.5)

Frequency Range (For unintentional radiators)

Highest frequency generated or used in the device or on which the device operates or tunes (MHz)	Upper frequency of measurement range (MHz)
Below 1.705	30
1.705-108	1000
108-500	2000
500-1000	5000
Above 1000	5th harmonic of the highest frequency or 40GHz, whichever is lower

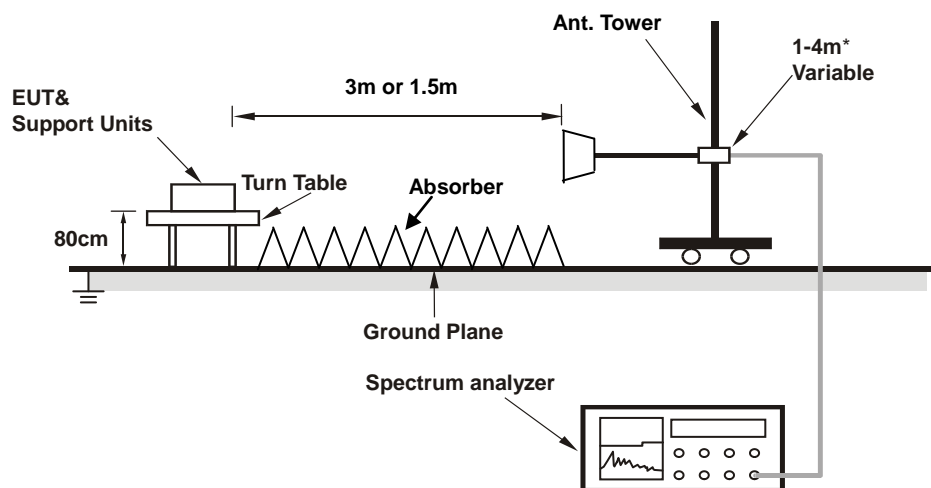
### 7.2 Test Instruments

Same as section 6.2.

### 7.3 Test Arrangement

- The EUT was placed on the top of a rotating table 0.8 meters above the ground at an accredited chamber room. The table was rotated 360 degrees to determine the position of the highest radiation.
- The EUT was set 3 meters away from the interference-receiving antenna, which was mounted on the top of a variable-height antenna tower.
- For frequency range 1GHz ~ 18GHz, the EUT was set 3 meters away from the interference-receiving antenna, which was mounted on the top of a variable-height antenna tower.
- For frequency range 18GHz ~ 40GHz, the EUT was set 1.5 meters away from the interference-receiving antenna, which was mounted on the top of a variable-height antenna tower.
- The height of antenna can be varied from one meter to four meters, the height of adjustment depends on the EUT height and the antenna 3dB beamwidth both, to detect the maximum value of the field strength. Both horizontal and vertical polarizations of the antenna are set to make the measurement.
- For each suspected emission, the EUT was arranged to its worst case and then the antenna was tuned to heights and the rotatable table was turned from 0 degrees to 360 degrees to find the maximum reading.
- The spectrum analyzer system was set to peak and average detect function and specified bandwidth with maximum hold mode when the test frequency is above 1 GHz.

Note: The resolution bandwidth of test receiver/spectrum analyzer is 1MHz and video bandwidth is 3MHz for Peak detection (PK) at frequency above 1GHz. The resolution bandwidth of test receiver/spectrum analyzer is 1 MHz for Average detection (AV) at frequency above 1GHz.



### 7.4 Test Results

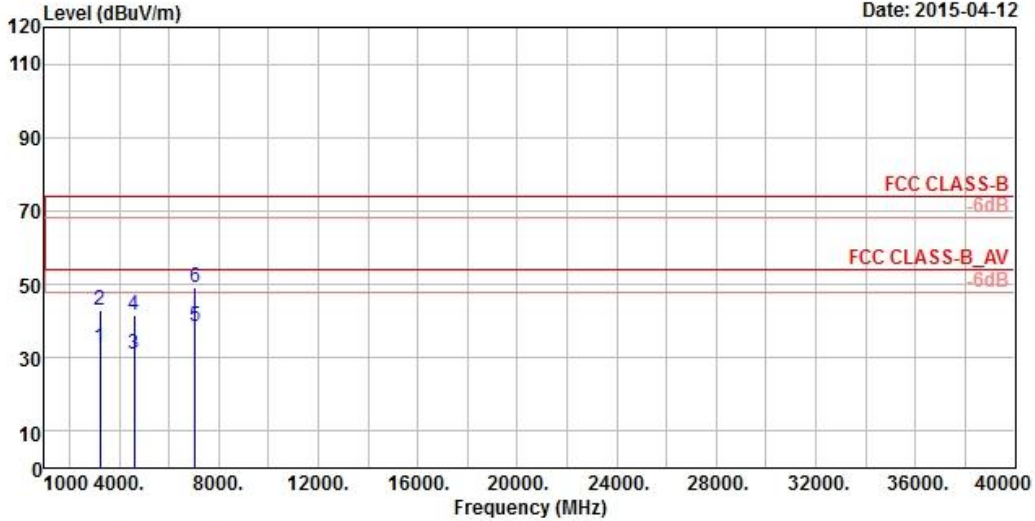


Bureau Veritas Consumer Products Services Ltd., Taoyuan Branch

A D T

Data: 13

Date: 2015-04-12



Site : 966 Chamber 5  
 Condition: FCC CLASS-B 3m HORIZONTAL  
 Remark :  
 : Mode 4 Wireless Charge  
 Tested by: Gavin Wu  
 Power : AC 120V / 60 Hz

	Freq	Level	Read Level	Limit Line	OverAntenna Limit	Factor	Cable Loss	Preamp Factor	A/Pos	T/Pos	Remark
	MHz	dBuV/m	dBuV	dBuV/m	dB	dB/m	dB	dB	cm	deg	
1	3240.00	32.69	52.37	54.00	-21.31	28.64	5.33	53.65	100	188	Average
2	3240.00	42.91	62.59	74.00	-31.09	28.64	5.33	53.65	100	188	Peak
3	4612.00	31.11	47.04	54.00	-22.89	30.72	6.61	53.26	120	169	Average
4	4612.00	41.48	57.41	74.00	-32.52	30.72	6.61	53.26	120	169	Peak
5 pp	7056.00	38.49	46.97	54.00	-15.51	35.22	8.05	51.75	118	152	Average
6 pk	7056.00	49.21	57.69	74.00	-24.79	35.22	8.05	51.75	118	152	Peak



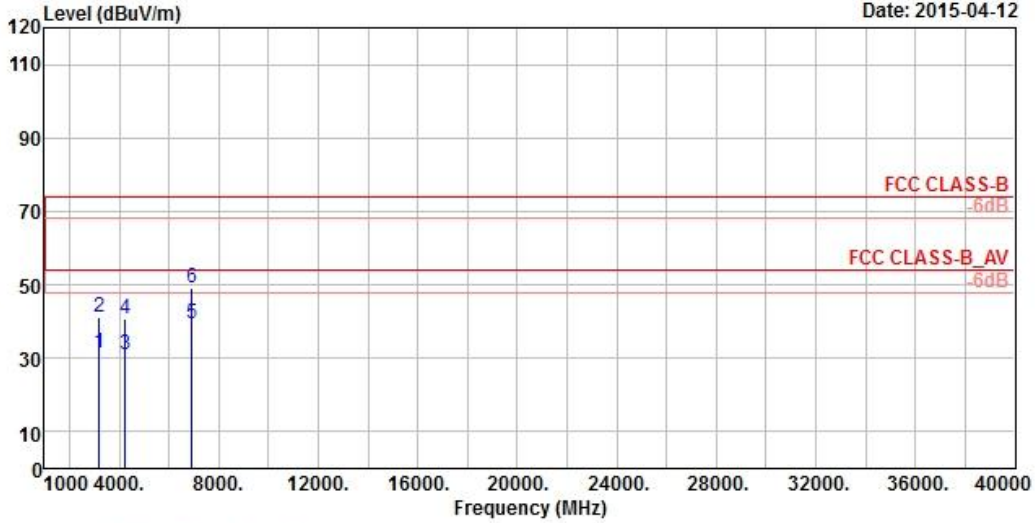
A D T



Bureau Veritas Consumer Products Services Ltd., Taoyuan Branch

A D T

Data: 14



Site : 966 Chamber 5  
 Condition: FCC CLASS-B 3m VERTICAL  
 Remark :  
 : Mode 4 Wireless Charge  
 Tested by: Gavin Wu  
 Power : AC 120V / 60 Hz

	Freq	Level	Read Level	Limit Line	OverLimit	Antenna Factor	Cable Loss	Preamp Factor	A/Pos	T/Pos	Remark
	MHz	dBuV/m	dBuV	dBuV/m	dB	dB/m	dB	dB	cm	deg	
1	3196.00	31.30	51.06	54.00	-22.70	28.61	5.28	53.65	105	103	Average
2	3196.00	41.38	61.14	74.00	-32.62	28.61	5.28	53.65	105	103	Peak
3	4244.00	30.81	48.11	54.00	-23.19	30.10	6.37	53.77	143	103	Average
4	4244.00	40.94	58.24	74.00	-33.06	30.10	6.37	53.77	143	103	Peak
5 pp	6916.00	39.44	47.92	54.00	-14.56	34.89	8.00	51.37	100	192	Average
6 pk	6916.00	48.96	57.44	74.00	-25.04	34.89	8.00	51.37	100	192	Peak



## 8 Pictures of Test Arrangements

Refer to the Test Setup File.





## Appendix – Information on the Testing Laboratories

We, Bureau Veritas Consumer Products Services (H.K.) Ltd., Taoyuan Branch, were founded in 1988 to provide our best service in EMC, Radio, Telecom and Safety consultation. Our laboratories are accredited and approved according to ISO/IEC 17025.

If you have any comments, please feel free to contact us at the following:

**Linko EMC/RF Lab**

Tel: 886-2-26052180

Fax: 886-2-26051924

**Hsin Chu EMC/RF/Telecom Lab**

Tel: 886-3-5935343

Fax: 886-3-5935342

**Hwa Ya EMC/RF/Safety Lab**

Tel: 886-3-3183232

Fax: 886-3-3270892

**Email:** [service.adt@tw.bureauveritas.com](mailto:service.adt@tw.bureauveritas.com)

**Web Site:** [www.bureauveritas-adt.com](http://www.bureauveritas-adt.com)

The address and road map of all our labs can be found in our web site also.

--- END ---