



# FCC SAR Test Report

Report No. : SA150318C06

Applicant : Bullitt Group

Address : No. 4, The Aquarium, King Street, Reading, RG1 2AN United Kingdom

Product : Rugged Smart Phone

FCC ID : ZL5S50C

Brand : CAT

Model No. : S50c

Standards : FCC 47 CFR Part 2 (2.1093) / IEEE C95.1:1992 / IEEE 1528:2003  
 IEEE 1528a-2005 / KDB 865664 D01 v01r03 / KDB 865664 D02 v01r01  
 KDB 248227 D01 v02 / KDB 447498 D01 v05r02 / KDB 648474 D03 v01r02  
 KDB 648474 D04 v01r02 / KDB 941225 D01 v03 / KDB 941225 D05 v02r03  
 KDB 941225 D06 v02

Sample Received Date : Mar. 18, 2015

Date of Testing : Mar. 31, 2015 ~ Apr. 15, 2015

**CERTIFICATION:** The above equipment have been tested by **Bureau Veritas Consumer Products Services (H.K.) Ltd., Taoyuan Branch – Lin Kou Laboratories**, and found compliance with the requirement of the above standards. The test record, data evaluation & Equipment Under Test (EUT) configurations represented herein are true and accurate accounts of the measurements of the sample’s SAR characteristics under the conditions specified in this report. It should not be reproduced except in full, without the written approval of our laboratory. The client should not use it to claim product certification, approval, or endorsement by TAF or any government agencies.

Prepared By : Ivonne Wu  
 Ivonne Wu / Supervisor

Approved By : Gordon Lin  
 Gordon Lin / Assistant Manager



This report is for your exclusive use. Any copying or replication of this report to or for any other person or entity, or use of our name or trademark, is permitted only with our prior written permission. This report sets forth our findings solely with respect to the test samples identified herein. The results set forth in this report are not indicative or representative of the quality or characteristics of the lot from which a test sample was taken or any similar or identical product unless specifically and expressly noted. Our report includes all of the tests requested by you and the results thereof based upon the information that you provided to us. You have 60 days from date of issuance of this report to notify us of any material error or omission caused by our negligence, provided, however, that such notice shall be in writing and shall specifically address the issue you wish to raise. A failure to raise such issue within the prescribed time shall constitute your unqualified acceptance of the completeness of this report, the tests conducted and the correctness of the report contents. Unless specific mention, the uncertainty of measurement has been explicitly taken into account to declare the compliance or non-compliance to the specification.



# Table of Contents

- Release Control Record ..... 3
- 1. Summary of Maximum SAR Value ..... 4
- 2. Description of Equipment Under Test ..... 5
- 3. SAR Measurement System ..... 6
  - 3.1 Definition of Specific Absorption Rate (SAR) ..... 6
  - 3.2 SPEAG DASY System ..... 6
    - 3.2.1 Robot ..... 7
    - 3.2.2 Probes ..... 8
    - 3.2.3 Data Acquisition Electronics (DAE) ..... 8
    - 3.2.4 Phantoms ..... 9
    - 3.2.5 Device Holder ..... 10
    - 3.2.6 System Validation Dipoles ..... 10
    - 3.2.7 Tissue Simulating Liquids ..... 11
  - 3.3 SAR System Verification ..... 14
  - 3.4 SAR Measurement Procedure ..... 15
    - 3.4.1 Area & Zoom Scan Procedure ..... 15
    - 3.4.2 Volume Scan Procedure ..... 15
    - 3.4.3 Power Drift Monitoring ..... 16
    - 3.4.4 Spatial Peak SAR Evaluation ..... 16
    - 3.4.5 SAR Averaged Methods ..... 16
- 4. SAR Measurement Evaluation ..... 17
  - 4.1 EUT Configuration and Setting ..... 17
  - 4.2 EUT Testing Position ..... 20
    - 4.2.1 Head Exposure Conditions ..... 20
    - 4.2.2 Body-Worn Accessory Exposure Conditions ..... 22
    - 4.2.3 Hotspot Mode Exposure conditions ..... 23
    - 4.2.4 Extremity Exposure conditions ..... 24
    - 4.2.5 SAR Test Exclusions ..... 24
  - 4.3 Tissue Verification ..... 25
  - 4.4 System Validation ..... 25
  - 4.5 System Verification ..... 26
  - 4.6 Maximum Output Power ..... 27
    - 4.6.1 Maximum Conducted Power ..... 27
    - 4.6.2 Measured Conducted Power Result ..... 27
  - 4.7 SAR Testing Results ..... 31
    - 4.7.1 SAR Results for Head ..... 31
    - 4.7.2 SAR Results for Body-Worn (Separation Distance is 1.0 cm Gap) ..... 34
    - 4.7.3 SAR Results for Hotspot (Separation Distance is 1.0 cm Gap) ..... 36
    - 4.7.4 SAR Measurement Variability ..... 38
    - 4.7.5 Simultaneous Multi-band Transmission Evaluation ..... 39
- 5. Calibration of Test Equipment ..... 48
- 6. Measurement Uncertainty ..... 49
- 7. Information on the Testing Laboratories ..... 51

Appendix A. SAR Plots of System Verification  
 Appendix B. SAR Plots of SAR Measurement  
 Appendix C. Calibration Certificate for Probe and Dipole  
 Appendix D. Photographs of EUT and Setup



### Release Control Record

Report No.	Reason for Change	Date Issued
SA150318C06	Initial release	Apr. 21, 2015



**1. Summary of Maximum SAR Value**

Equipment Class	Mode	Highest Reported Head SAR <sub>1g</sub> (W/kg)	Highest Reported Body-Worn SAR <sub>1g</sub> Body SAR <sub>1g</sub> (1.0 cm Gap) (W/kg)	Highest Reported Hotspot SAR <sub>1g</sub> (1.0 cm Gap) (W/kg)
PCE	CDMA BC0	0.38	0.47	0.54
	CDMA BC1	0.57	0.78	0.78
	LTE 4	0.61	0.66	0.66
	LTE 13	0.43	0.61	0.61
DTS	2.4G WLAN	0.12	0.04	0.08
NII	5.2G WLAN	N/A	N/A	N/A
	5.3G WLAN	0.04	0.19	0.19
	5.6G WLAN	0.04	0.18	0.18
	5.8G WLAN	0.05	0.11	0.11
DSS	Bluetooth	N/A	N/A	N/A
DXX	ANT+	N/A	N/A	N/A
DXX	NFC	N/A	N/A	N/A
Highest Simultaneous Transmission SAR		Head (W/kg)	Body-Worn (W/kg)	Hotspot (W/kg)
PCE+DTS		1.30	1.43	1.47
PCE+NII		1.23	1.58	1.58
PCE+DSS		N/A	1.56	N/A

**Note:**

1. The SAR limit (**Head & Body: SAR<sub>1g</sub> 1.6 W/kg**) for general population / uncontrolled exposure is specified in FCC 47 CFR part 2 (2.1093) and ANSI/IEEE C95.1-1992.



# FCC SAR Test Report

## 2. Description of Equipment Under Test

<b>EUT Type</b>	Rugged Smart Phone
<b>FCC ID</b>	ZL5S50C
<b>Brand Name</b>	CAT
<b>Model Name</b>	S50c
<b>Tx Frequency Bands (Unit: MHz)</b>	CDMA BC0 : 824.7 ~ 848.31 CDMA BC1 : 1851.25 ~ 1908.75 LTE Band 4 : 1710.7 ~ 1754.3 (1.4M), 1711.5 ~ 1753.5 (3M), 1712.5 ~ 1752.5 (5M), 1715 ~ 1750 (10M), 1717.5 ~ 1747.5 (15M), 1720 ~ 1745 (20M) LTE Band 13 : 779.5 ~ 784.5 (5M), 782 (10M) WLAN : 2412 ~ 2462, 5180 ~ 5240, 5260 ~ 5320, 5500 ~ 5700, 5745 ~ 5825 Bluetooth : 2402 ~ 2480 ANT+ : 2402 ~ 2480 NFC : 13.56
<b>Uplink Modulations</b>	CDMA : QPSK LTE : QPSK, 16QAM 802.11b : DSSS 802.11a/g/n : OFDM Bluetooth : GFSK ANT+ : GFSK NFC : ASK
<b>Maximum Tune-up Conducted Power (Unit: dBm)</b>	CDMA BC0 : 24.0 CDMA BC1 : 24.0 LTE Band 4 : 23.0 LTE Band 13 : 23.5 WLAN 2.4G : 15.5 WLAN 5.2G : 9.0 WLAN 5.3G : 9.0 WLAN 5.6G : 9.0 WLAN 5.8G : 9.0 Bluetooth : 9.0
<b>Antenna Type</b>	Fixed Internal Antenna
<b>EUT Stage</b>	Identical Prototype

**Note:**

1. The above EUT information is declared by manufacturer and for more detailed features description please refers to the manufacturer's specifications or User's Manual.

**List of Accessory:**

<b>Battery</b>	<b>Brand Name</b>	Simplo Technology
	<b>Model Name</b>	A09TA008H
	<b>Power Rating</b>	3.75Vdc, 2680mAh
	<b>Type</b>	Li-ion

### **3. SAR Measurement System**

#### **3.1 Definition of Specific Absorption Rate (SAR)**

SAR is related to the rate at which energy is absorbed per unit mass in an object exposed to a radio field. The SAR distribution in a biological body is complicated and is usually carried out by experimental techniques or numerical modeling. The standard recommends limits for two tiers of groups, occupational/controlled and general population/uncontrolled, based on a person's awareness and ability to exercise control over his or her exposure. In general, occupational/controlled exposure limits are higher than the limits for general population/uncontrolled.

The SAR definition is the time derivative (rate) of the incremental energy (dW) absorbed by (dissipated in) an incremental mass (dm) contained in a volume element (dv) of a given density ( $\rho$ ). The equation description is as below:

$$\text{SAR} = \frac{d}{dt} \left( \frac{dW}{dm} \right) = \frac{d}{dt} \left( \frac{dW}{\rho dv} \right)$$

SAR is expressed in units of Watts per kilogram (W/kg)

SAR measurement can be related to the electrical field in the tissue by

$$\text{SAR} = \frac{\sigma |E|^2}{\rho}$$

Where:  $\sigma$  is the conductivity of the tissue,  $\rho$  is the mass density of the tissue and E is the RMS electrical field strength.

#### **3.2 SPEAG DASY System**

DASY system consists of high precision robot, probe alignment sensor, phantom, robot controller, controlled measurement server and near-field probe. The robot includes six axes that can move to the precision position of the DASY4/5 software defined. The DASY software can define the area that is detected by the probe. The robot is connected to controlled box. Controlled measurement server is connected to the controlled robot box. The DAE includes amplifier, signal multiplexing, AD converter, offset measurement and surface detection. It is connected to the Electro-optical coupler (ECO). The ECO performs the conversion from the optical into digital electric signal of the DAE and transfers data to the PC.



Fig-3.1 DASY System Setup

### 3.2.1 Robot

The DASY system uses the high precision robots from Stäubli SA (France). For the 6-axis controller system, the robot controller version (DASY4: CS7MB; DASY5: CS8c) from Stäubli is used. The Stäubli robot series have many features that are important for our application:

- High precision (repeatability  $\pm 0.035$  mm)
- High reliability (industrial design)
- Jerk-free straight movements
- Low ELF interference (the closed metallic construction shields against motor control fields)



Fig-3.2 DASY4





Fig-3.3 DASY5

# FCC SAR Test Report


## 3.2.2 Probes

The SAR measurement is conducted with the dosimetric probe. The probe is specially designed and calibrated for use in liquid with high permittivity. The dosimetric probe has special calibration in liquid at different frequency.

<b>Model</b>	EX3DV4	
<b>Construction</b>	Symmetrical design with triangular core. Built-in shielding against static charges. PEEK enclosure material (resistant to organic solvents, e.g., DGBE).	
<b>Frequency</b>	10 MHz to 6 GHz Linearity: $\pm 0.2$ dB	
<b>Directivity</b>	$\pm 0.3$ dB in HSL (rotation around probe axis) $\pm 0.5$ dB in tissue material (rotation normal to probe axis)	
<b>Dynamic Range</b>	10 $\mu$ W/g to 100 mW/g Linearity: $\pm 0.2$ dB (noise: typically $< 1$ $\mu$ W/g)	
<b>Dimensions</b>	Overall length: 337 mm (Tip: 20 mm) Tip diameter: 2.5 mm (Body: 12 mm) Typical distance from probe tip to dipole centers: 1 mm	

<b>Model</b>	ES3DV3	
<b>Construction</b>	Symmetrical design with triangular core. Interleaved sensors. Built-in shielding against static charges. PEEK enclosure material (resistant to organic solvents, e.g., DGBE).	
<b>Frequency</b>	10 MHz to 4 GHz Linearity: $\pm 0.2$ dB	
<b>Directivity</b>	$\pm 0.2$ dB in HSL (rotation around probe axis) $\pm 0.3$ dB in tissue material (rotation normal to probe axis)	
<b>Dynamic Range</b>	5 $\mu$ W/g to 100 mW/g Linearity: $\pm 0.2$ dB	
<b>Dimensions</b>	Overall length: 337 mm (Tip: 20 mm) Tip diameter: 3.9 mm (Body: 12 mm) Distance from probe tip to dipole centers: 2.0 mm	


## 3.2.3 Data Acquisition Electronics (DAE)


<b>Model</b>	DAE3, DAE4	
<b>Construction</b>	Signal amplifier, multiplexer, A/D converter and control logic. Serial optical link for communication with DASY embedded system (fully remote controlled). Two step probe touch detector for mechanical surface detection and emergency robot stop.	
<b>Measurement Range</b>	-100 to +300 mV (16 bit resolution and two range settings: 4mV, 400mV)	
<b>Input Offset Voltage</b>	$< 5$ $\mu$ V (with auto zero)	
<b>Input Bias Current</b>	$< 50$ fA	
<b>Dimensions</b>	60 x 60 x 68 mm	



# FCC SAR Test Report


## 3.2.4 Phantoms


<b>Model</b>	Twin SAM	
<b>Construction</b>	The shell corresponds to the specifications of the Specific Anthropomorphic Mannequin (SAM) phantom defined in IEEE 1528 and IEC 62209-1. It enables the dosimetric evaluation of left and right hand phone usage as well as body mounted usage at the flat phantom region. A cover prevents evaporation of the liquid. Reference markings on the phantom allow the complete setup of all predefined phantom positions and measurement grids by teaching three points with the robot.	
<b>Material</b>	Vinylester, glass fiber reinforced (VE-GF)	
<b>Shell Thickness</b>	2 ± 0.2 mm (6 ± 0.2 mm at ear point)	
<b>Dimensions</b>	Length: 1000 mm Width: 500 mm Height: adjustable feet	
<b>Filling Volume</b>	approx. 25 liters	

<b>Model</b>	ELI	
<b>Construction</b>	Phantom for compliance testing of handheld and body-mounted wireless devices in the frequency range of 30 MHz to 6 GHz. ELI is fully compatible with the IEC 62209-2 standard and all known tissue simulating liquids. ELI has been optimized regarding its performance and can be integrated into our standard phantom tables. A cover prevents evaporation of the liquid. Reference markings on the phantom allow installation of the complete setup, including all predefined phantom positions and measurement grids, by teaching three points. The phantom is compatible with all SPEAG dosimetric probes and dipoles.	
<b>Material</b>	Vinylester, glass fiber reinforced (VE-GF)	
<b>Shell Thickness</b>	2.0 ± 0.2 mm (bottom plate)	
<b>Dimensions</b>	Major axis: 600 mm Minor axis: 400 mm	
<b>Filling Volume</b>	approx. 30 liters	


# FCC SAR Test Report

## 3.2.5 Device Holder

<b>Model</b>	Mounting Device	
<b>Construction</b>	In combination with the Twin SAM Phantom or ELI4, the Mounting Device enables the rotation of the mounted transmitter device in spherical coordinates. Rotation point is the ear opening point. Transmitter devices can be easily and accurately positioned according to IEC, IEEE, FCC or other specifications. The device holder can be locked for positioning at different phantom sections (left head, right head, flat).	
<b>Material</b>	POM	

<b>Model</b>	Laptop Extensions Kit	
<b>Construction</b>	Simple but effective and easy-to-use extension for Mounting Device that facilitates the testing of larger devices according to IEC 62209-2 (e.g., laptops, cameras, etc.). It is lightweight and fits easily on the upper part of the Mounting Device in place of the phone positioner.	
<b>Material</b>	POM, Acrylic glass, Foam	

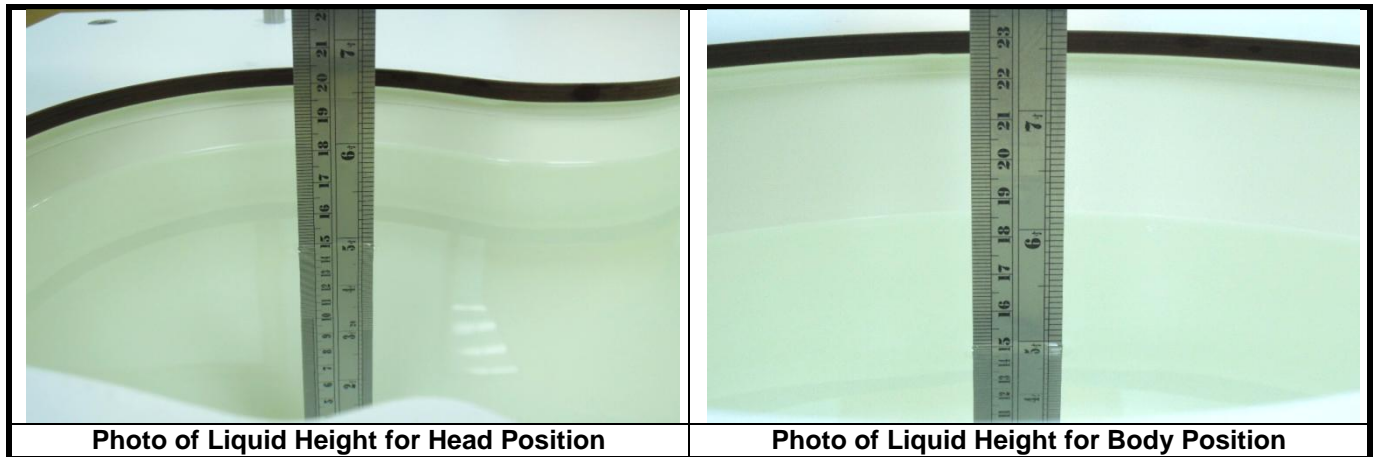
## 3.2.6 System Validation Dipoles

<b>Model</b>	D-Serial	
<b>Construction</b>	Symmetrical dipole with 1/4 balun. Enables measurement of feed point impedance with NWA. Matched for use near flat phantoms filled with tissue simulating solutions.	
<b>Frequency</b>	750 MHz to 5800 MHz	
<b>Return Loss</b>	> 20 dB	
<b>Power Capability</b>	> 100 W (f < 1GHz), > 40 W (f > 1GHz)	

# FCC SAR Test Report

## 3.2.7 Tissue Simulating Liquids

For SAR measurement of the field distribution inside the phantom, the phantom must be filled with homogeneous tissue simulating liquid to a depth of at least 15 cm. For head SAR testing, the liquid height from the ear reference point (ERP) of the phantom to the liquid top surface is larger than 15 cm. For body SAR testing, the liquid height from the center of the flat phantom to the liquid top surface is larger than 15 cm. The nominal dielectric values of the tissue simulating liquids in the phantom and the tolerance of 5% are listed in Table-3.1.



The dielectric properties of the head tissue simulating liquids are defined in IEEE 1528, and KDB 865664 D01 Appendix A. For the body tissue simulating liquids, the dielectric properties are defined in KDB 865664 D01 Appendix A. The dielectric properties of the tissue simulating liquids were verified prior to the SAR evaluation using a dielectric assessment kit and a network analyzer.

**FCC SAR Test Report**
**Table-3.1 Targets of Tissue Simulating Liquid**

Frequency (MHz)	Target Permittivity	Range of $\pm 5\%$	Target Conductivity	Range of $\pm 5\%$
<b>For Head</b>				
750	41.9	39.8 ~ 44.0	0.89	0.85 ~ 0.93
835	41.5	39.4 ~ 43.6	0.90	0.86 ~ 0.95
900	41.5	39.4 ~ 43.6	0.97	0.92 ~ 1.02
1450	40.5	38.5 ~ 42.5	1.20	1.14 ~ 1.26
1640	40.3	38.3 ~ 42.3	1.29	1.23 ~ 1.35
1750	40.1	38.1 ~ 42.1	1.37	1.30 ~ 1.44
1800	40.0	38.0 ~ 42.0	1.40	1.33 ~ 1.47
1900	40.0	38.0 ~ 42.0	1.40	1.33 ~ 1.47
2000	40.0	38.0 ~ 42.0	1.40	1.33 ~ 1.47
2300	39.5	37.5 ~ 41.5	1.67	1.59 ~ 1.75
2450	39.2	37.2 ~ 41.2	1.80	1.71 ~ 1.89
2600	39.0	37.1 ~ 41.0	1.96	1.86 ~ 2.06
3500	37.9	36.0 ~ 39.8	2.91	2.76 ~ 3.06
5200	36.0	34.2 ~ 37.8	4.66	4.43 ~ 4.89
5300	35.9	34.1 ~ 37.7	4.76	4.52 ~ 5.00
5500	35.6	33.8 ~ 37.4	4.96	4.71 ~ 5.21
5600	35.5	33.7 ~ 37.3	5.07	4.82 ~ 5.32
5800	35.3	33.5 ~ 37.1	5.27	5.01 ~ 5.53
<b>For Body</b>				
750	55.5	52.7 ~ 58.3	0.96	0.91 ~ 1.01
835	55.2	52.4 ~ 58.0	0.97	0.92 ~ 1.02
900	55.0	52.3 ~ 57.8	1.05	1.00 ~ 1.10
1450	54.0	51.3 ~ 56.7	1.30	1.24 ~ 1.37
1640	53.8	51.1 ~ 56.5	1.40	1.33 ~ 1.47
1750	53.4	50.7 ~ 56.1	1.49	1.42 ~ 1.56
1800	53.3	50.6 ~ 56.0	1.52	1.44 ~ 1.60
1900	53.3	50.6 ~ 56.0	1.52	1.44 ~ 1.60
2000	53.3	50.6 ~ 56.0	1.52	1.44 ~ 1.60
2300	52.9	50.3 ~ 55.5	1.81	1.72 ~ 1.90
2450	52.7	50.1 ~ 55.3	1.95	1.85 ~ 2.05
2600	52.5	49.9 ~ 55.1	2.16	2.05 ~ 2.27
3500	51.3	48.7 ~ 53.9	3.31	3.14 ~ 3.48
5200	49.0	46.6 ~ 51.5	5.30	5.04 ~ 5.57
5300	48.9	46.5 ~ 51.3	5.42	5.15 ~ 5.69
5500	48.6	46.2 ~ 51.0	5.65	5.37 ~ 5.93
5600	48.5	46.1 ~ 50.9	5.77	5.48 ~ 6.06
5800	48.2	45.8 ~ 50.6	6.00	5.70 ~ 6.30

# FCC SAR Test Report

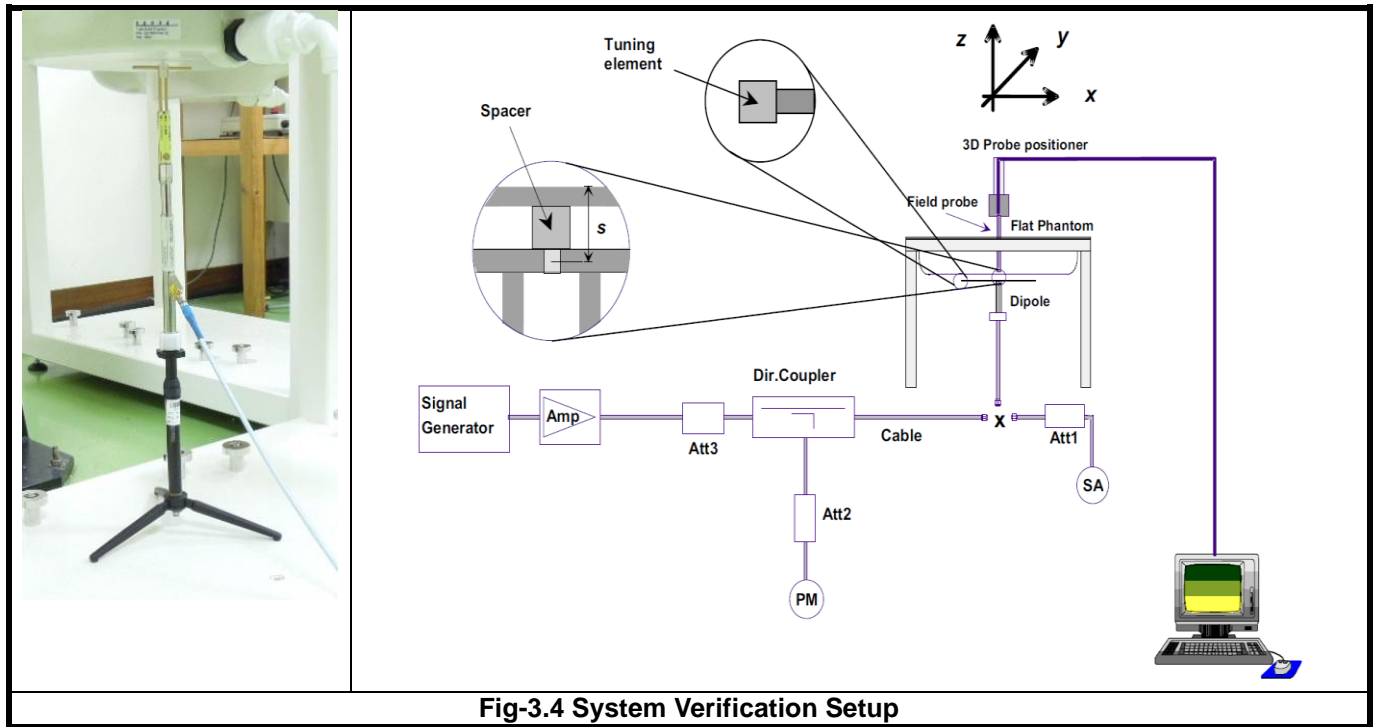
The following table gives the recipes for tissue simulating liquids.

**Table-3.2 Recipes of Tissue Simulating Liquid**

Tissue Type	Bactericide	DGBE	HEC	NaCl	Sucrose	Triton X-100	Water	Diethylene Glycol Mono-hexylether
H750	0.2	-	0.2	1.5	56.0	-	42.1	-
H835	0.2	-	0.2	1.5	57.0	-	41.1	-
H900	0.2	-	0.2	1.4	58.0	-	40.2	-
H1450	-	43.3	-	0.6	-	-	56.1	-
H1640	-	45.8	-	0.5	-	-	53.7	-
H1750	-	47.0	-	0.4	-	-	52.6	-
H1800	-	44.5	-	0.3	-	-	55.2	-
H1900	-	44.5	-	0.2	-	-	55.3	-
H2000	-	44.5	-	0.1	-	-	55.4	-
H2300	-	44.9	-	0.1	-	-	55.0	-
H2450	-	45.0	-	0.1	-	-	54.9	-
H2600	-	45.1	-	0.1	-	-	54.8	-
H3500	-	8.0	-	0.2	-	20.0	71.8	-
H5G	-	-	-	-	-	17.2	65.5	17.3
B750	0.2	-	0.2	0.8	48.8	-	50.0	-
B835	0.2	-	0.2	0.9	48.5	-	50.2	-
B900	0.2	-	0.2	0.9	48.2	-	50.5	-
B1450	-	34.0	-	0.3	-	-	65.7	-
B1640	-	32.5	-	0.3	-	-	67.2	-
B1750	-	31.0	-	0.2	-	-	68.8	-
B1800	-	29.5	-	0.4	-	-	70.1	-
B1900	-	29.5	-	0.3	-	-	70.2	-
B2000	-	30.0	-	0.2	-	-	69.8	-
B2300	-	31.0	-	0.1	-	-	68.9	-
B2450	-	31.4	-	0.1	-	-	68.5	-
B2600	-	31.8	-	0.1	-	-	68.1	-
B3500	-	28.8	-	0.1	-	-	71.1	-
B5G	-	-	-	-	-	10.7	78.6	10.7

### 3.3 SAR System Verification

The system check verifies that the system operates within its specifications. It is performed daily or before every SAR measurement. The system check uses normal SAR measurements in the flat section of the phantom with a matched dipole at a specified distance. The system verification setup is shown as below.



**Fig-3.4 System Verification Setup**

The validation dipole is placed beneath the flat phantom with the specific spacer in place. The distance spacer is touch the phantom surface with a light pressure at the reference marking and be oriented parallel to the long side of the phantom. The spectrum analyzer measures the forward power at the location of the system check dipole connector. The signal generator is adjusted for the desired forward power (250 mW is used for 700 MHz to 3 GHz, 100 mW is used for 3.5 GHz to 6 GHz) at the dipole connector and the power meter is read at that level. After connecting the cable to the dipole, the signal generator is readjusted for the same reading at power meter.

After system check testing, the SAR result will be normalized to 1W forward input power and compared with the reference SAR value derived from validation dipole certificate report. The deviation of system check should be within 10 %.

### 3.4 SAR Measurement Procedure

According to the SAR test standard, the recommended procedure for assessing the peak spatial-average SAR value consists of the following steps:

- (a) Power reference measurement
- (b) Area scan
- (c) Zoom scan
- (d) Power drift measurement

The SAR measurement procedures for each of test conditions are as follows:

- (a) Make EUT to transmit maximum output power
- (b) Measure conducted output power through RF cable
- (c) Place the EUT in the specific position of phantom
- (d) Perform SAR testing steps on the DASY system
- (e) Record the SAR value

#### 3.4.1 Area & Zoom Scan Procedure

First Area Scan is used to locate the approximate location(s) of the local peak SAR value(s). The measurement grid within an Area Scan is defined by the grid extent, grid step size and grid offset. Next, in order to determine the EM field distribution in a three-dimensional spatial extension, Zoom Scan is required. The Zoom Scan is performed around the highest E-field value to determine the averaged SAR-distribution over 10 g. According to KDB 865664 D01, the resolution for Area and Zoom scan is specified in the table below.

Items	<= 2 GHz	2-3 GHz	3-4 GHz	4-5 GHz	5-6 GHz
Area Scan ( $\Delta x, \Delta y$ )	<= 15 mm	<= 12 mm	<= 12 mm	<= 10 mm	<= 10 mm
Zoom Scan ( $\Delta x, \Delta y$ )	<= 8 mm	<= 5 mm	<= 5 mm	<= 4 mm	<= 4 mm
Zoom Scan ( $\Delta z$ )	<= 5 mm	<= 5 mm	<= 4 mm	<= 3 mm	<= 2 mm
Zoom Scan Volume	>= 30 mm	>= 30 mm	>= 28 mm	>= 25 mm	>= 22 mm

**Note:**

When zoom scan is required and report SAR is <= 1.4 W/kg, the zoom scan resolution of  $\Delta x / \Delta y$  (2-3GHz: <= 8 mm, 3-4GHz: <= 7 mm, 4-6GHz: <= 5 mm) may be applied.

#### 3.4.2 Volume Scan Procedure

The volume scan is used for assess overlapping SAR distributions for antennas transmitting in different frequency bands. It is equivalent to an oversized zoom scan used in standalone measurements. The measurement volume will be used to enclose all the simultaneous transmitting antennas. For antennas transmitting simultaneously in different frequency bands, the volume scan is measured separately in each frequency band. In order to sum correctly to compute the 1g aggregate SAR, the EUT remain in the same test position for all measurements and all volume scan use the same spatial resolution and grid spacing. When all volume scan were completed, the software, SEMCAD postprocessor can combine and subsequently superpose these measurement data to calculating the multiband SAR.

## FCC SAR Test Report

---

### 3.4.3 Power Drift Monitoring

All SAR testing is under the EUT install full charged battery and transmit maximum output power. In DASY measurement software, the power reference measurement and power drift measurement procedures are used for monitoring the power drift of EUT during SAR test. Both these procedures measure the field at a specified reference position before and after the SAR testing. The software will calculate the field difference in dB. If the power drift more than 5%, the SAR will be retested.

### 3.4.4 Spatial Peak SAR Evaluation

The procedure for spatial peak SAR evaluation has been implemented according to the test standard. It can be conducted for 1g and 10g, as well as for user-specific masses. The DASY software includes all numerical procedures necessary to evaluate the spatial peak SAR value.

The base for the evaluation is a "cube" measurement. The measured volume must include the 1g and 10g cubes with the highest averaged SAR values. For that purpose, the center of the measured volume is aligned to the interpolated peak SAR value of a previously performed area scan.

The entire evaluation of the spatial peak values is performed within the post-processing engine (SEMCAD). The system always gives the maximum values for the 1g and 10g cubes. The algorithm to find the cube with highest averaged SAR is divided into the following stages:

- (a) Extraction of the measured data (grid and values) from the Zoom Scan
- (b) Calculation of the SAR value at every measurement point based on all stored data (A/D values and measurement parameters)
- (c) Generation of a high-resolution mesh within the measured volume
- (d) Interpolation of all measured values from the measurement grid to the high-resolution grid
- (e) Extrapolation of the entire 3-D field distribution to the phantom surface over the distance from sensor to surface
- (f) Calculation of the averaged SAR within masses of 1g and 10g

### 3.4.5 SAR Averaged Methods

In DASY, the interpolation and extrapolation are both based on the modified Quadratic Shepard's method. The interpolation scheme combines a least-square fitted function method and a weighted average method which are the two basic types of computational interpolation and approximation.

Extrapolation routines are used to obtain SAR values between the lowest measurement points and the inner phantom surface. The extrapolation distance is determined by the surface detection distance and the probe sensor offset. The uncertainty increases with the extrapolation distance. To keep the uncertainty within 1% for the 1 g and 10 g cubes, the extrapolation distance should not be larger than 5 mm.



## 4. SAR Measurement Evaluation

### 4.1 EUT Configuration and Setting

The EUT is a voice/data transmitter device that contains two WWAN transmitters (one is for CDMA2000, and the other is for LTE). Confirming the LTE transmitter follows 3GPP standards, is category 3, FDD-LTE band 4 (BW 1.4/3/5/10/15/20 MHz), FDD-LTE band 13 (BW 5/10 MHz), supports QPSK / 16QAM modulations, and supports data transmission only. Tested per 3GPP 36.521 maximum transmit procedures for both QPSK / 16QAM.

**LTE Maximum Power Reduction in accordance with 3GPP 36.101:** Power Reduction in accordance to 3GPP is active all times during LTE operation.

Modulation	Channel Bandwidth / RB Configurations						LTE MPR Setting (dB)
	BW 1.4 MHz	BW 3 MHz	BW 5 MHz	BW 10 MHz	BW 15 MHz	BW 20 MHz	
QPSK	> 5	> 4	> 8	> 12	> 16	> 18	1
16QAM	<= 5	<= 4	<= 8	<= 12	<= 16	<= 18	1
16QAM	> 5	> 4	> 8	> 12	> 16	> 18	2

**Note:** MPR is according to the standard and implemented in the circuit (mandatory).

In addition, the device is compliant with A-MPR requirements defined in 36.101 section 6.2.4 that may be required to meet 3GPP Adjacent Channel Leakage Ratio (“ACLR”) requirements. A-MPR was disabled for all FCC compliance testing.

A simultaneous CDMA 1xRTT voice and LTE data connection is referred to as “SVLTE”. The transmitters are independent in respect to the RF chains as each transmitter has dedicated RF circuitry (PA and RF filtering) and a unique transmit antenna. The device also contains an additional antenna associated with receiver diversity or unlicensed transmitters. The LTE Uplink MIMO configuration is 1x2 (1 Uplink antenna and 2 Downlink antennas).

Although the RF circuits are independent for both transmitters, the chipset solution incorporated SVLTE implementation does include electrical connections between the voice and data transmitters such that the device can coordinate the transmit power of both transmitters. That said the transmitters operate independently in the sense that they independently support voice or data connection without interaction between the modems or signaling from the WWAN network.



# FCC SAR Test Report

A D T

The simultaneous transmission possibilities are listed as below.

Simultaneous TX Combination	Configuration	Head (Voice / VoIP)	Body Worn (Voice / VoIP)	Hotspot (Data)
1	CDMA2000 BC0 (Voice / Data) + WLAN (Data)	Yes	Yes	Yes
2	CDMA2000 BC1 (Voice / Data) + WLAN (Data)	Yes	Yes	Yes
3	LTE 4 (Data) + WLAN (Data)	Yes	Yes	Yes
4	LTE 13 (Data) + WLAN (Data)	Yes	Yes	Yes
5	CDMA2000 BC0 (Voice / Data) + BT (Data)	Yes	Yes	Yes
6	CDMA2000 BC1 (Voice / Data) + BT (Data)	Yes	Yes	Yes
7	LTE 4 (Data) + BT (Data)	No	Yes	No
8	LTE 13 (Data) + BT (Data)	No	Yes	No
9	CDMA BC0 (Voice / Data) + LTE 4 (Data) + WLAN (Data)	Yes	Yes	Yes
10	CDMA BC1 (Voice / Data) + LTE 4 (Data) + WLAN (Data)	Yes	Yes	Yes
11	CDMA BC0 (Voice / Data) + LTE 13 (Data) + WLAN (Data)	Yes	Yes	Yes
12	CDMA BC1 (Voice / Data) + LTE 13 (Data) + WLAN (Data)	Yes	Yes	Yes
13	CDMA BC0 (Voice / Data) + LTE 4 (Data) + BT (Data)	No	Yes	No
14	CDMA BC1 (Voice / Data) + LTE 4 (Data) + BT (Data)	No	Yes	No
15	CDMA BC0 (Voice / Data) + LTE 13 (Data) + BT (Data)	No	Yes	No
16	CDMA BC1 (Voice / Data) + LTE 13 (Data) + BT (Data)	No	Yes	No

**Note :**

1. The WLAN and BT cannot transmit simultaneously, so there is no co-location test requirement for WLAN and BT.
2. In the SVLTE mode, CDMA 1xRTT and LTE can transmit at maximum power level simultaneously.

## FCC SAR Test Report

---

For WWAN SAR testing, the EUT was linked and controlled by base station emulator (Agilent E5515C). Communication between the EUT and the emulator was established by air link. The distance between the EUT and the communicating antenna of the emulator is larger than 50 cm and the output power radiated from the emulator antenna is at least 30 dB smaller than the output power of EUT. The EUT was set from the emulator to radiate maximum output power during SAR testing.

For CDMA, SAR is tested under 1xRTT mode using RC3 with the EUT configured to transmit at full rate using Loopback Service Option SO55 on head position, and RC3 with the EUT configured using TDSO/SO32, to transmit at full rate on FCH with all other code channels disabled on body position. SAR for RC1 is not required when the maximum power is less than 1/4 dB higher than RC3. SAR for multiple code channels (FCH+SCH<sub>n</sub>) is not required when the maximum power is less than 1/4 dB higher than that measured with FCH only. SAR for EVDO Rev.0 is not required when the maximum power is less than 1/4 dB higher than RC3 (1xRTT). SAR for EVDO Rev.A is not required when the maximum power is less than Rev.0 or less than 1/4 dB higher than RC3. The steps for system simulator (Agilent E5515C) setup are as below.

1. Set the System ID and Network ID
2. Set the Cell Band and connecting Channel
3. Set the power control to All Up Bits
4. Press "Originate Call" button

For LTE, set the related parameters of operating band, channel bandwidth, uplink channel number, modulation type, and RB in base station simulator. When the EUT has registered and communicated to base station simulator, set the simulator to make EUT transmitting the maximum radiated power. The steps for system simulator (Anritsu MT8820C) setup are as below.

1. Press the "Std" button to select "LTE 22.20S" function
2. Choose the "Screen Select" item to "Fundamental Measurement"
3. Enter the "Common" item
4. Set the Operating Band
5. Set the Channel Bandwidth
6. Set the UL Channel & Frequency
7. Set the Modulation
8. Set the RB number and RB shift
9. Press "Start Call" button when EUT register to the system simulator
10. Set the TX-1 Max. Power to make the EUT transmit maximum output power

For WLAN SAR testing, the EUT has installed WLAN engineering testing software which can provide continuous transmitting RF signal. According to KDB 248227 D01, WLAN SAR for this device was performed at the lowest data rate.

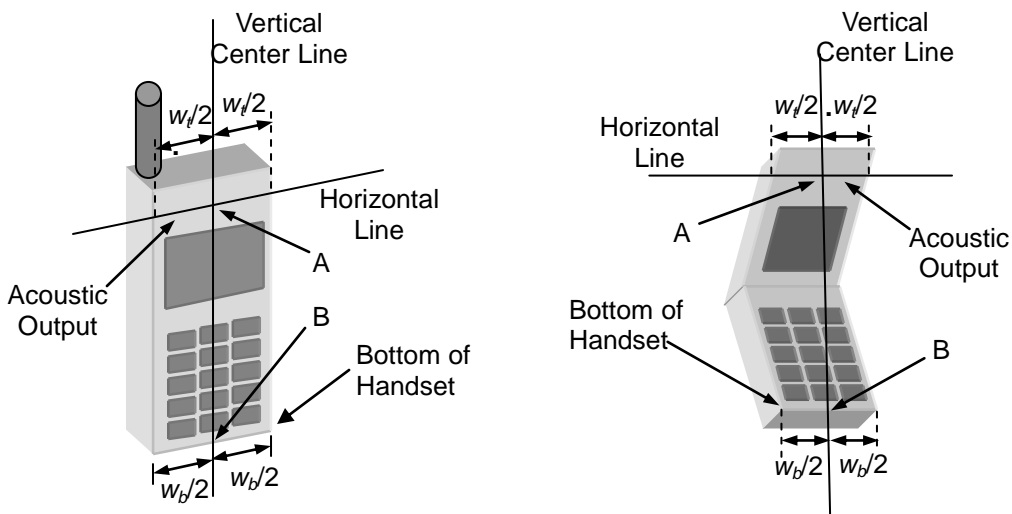
**4.2 EUT Testing Position**

According to KDB 648474 D04, handsets are tested for SAR compliance in head, body-worn accessory and other use configurations described in the following subsections.

**4.2.1 Head Exposure Conditions**

Head exposure is limited to next to the ear voice mode operations. Head SAR compliance is tested according to the test positions defined in IEEE Std 1528-2003 using the SAM phantom illustrated as below.

1. Define two imaginary lines on the handset
  - (a) The vertical centerline passes through two points on the front side of the handset - the midpoint of the width  $w_t$  of the handset at the level of the acoustic output, and the midpoint of the width  $w_b$  of the bottom of the handset.
  - (b) The horizontal line is perpendicular to the vertical centerline and passes through the center of the acoustic output. The horizontal line is also tangential to the face of the handset at point A.
  - (c) The two lines intersect at point A. Note that for many handsets, point A coincides with the center of the acoustic output; however, the acoustic output may be located elsewhere on the horizontal line. Also note that the vertical centerline is not necessarily parallel to the front face of the handset, especially for clamshell handsets, handsets with flip covers, and other irregularly shaped handsets.

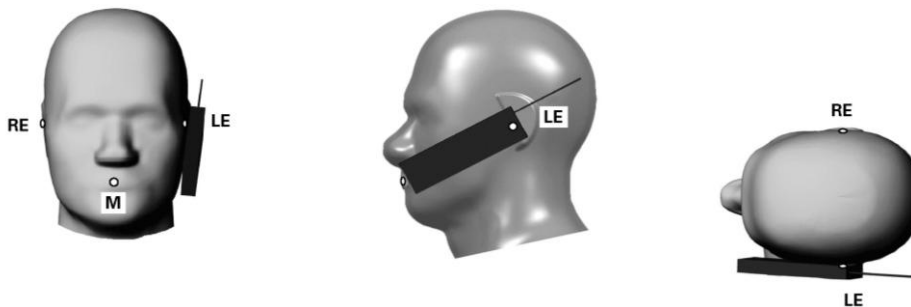


**Fig-4.1 Illustration for Handset Vertical and Horizontal Reference Lines**

# FCC SAR Test Report

## 2. Cheek Position

- (a) To position the device with the vertical center line of the body of the device and the horizontal line crossing the center piece in a plane parallel to the sagittal plane of the phantom. While maintaining the device in this plane, align the vertical center line with the reference plane containing the three ear and mouth reference point (M: Mouth, RE: Right Ear, and LE: Left Ear) and align the center of the ear piece with the line RE-LE.
- (b) To move the device towards the phantom with the ear piece aligned with the line LE-RE until the phone touched the ear. While maintaining the device in the reference plane and maintaining the phone contact with the ear, move the bottom of the phone until any point on the front side is in contact with the cheek of the phantom or until contact with the ear is lost (see Fig-4.2).



**Fig-4.2 Illustration for Cheek Position**

## 3. Tilted Position

- (a) To position the device in the “cheek” position described above.
- (b) While maintaining the device the reference plane described above and pivoting against the ear, moves it outward away from the mouth by an angle of 15 degrees or until contact with the ear is lost (see Fig-4.3).



**Fig-4.3 Illustration for Tilted Position**

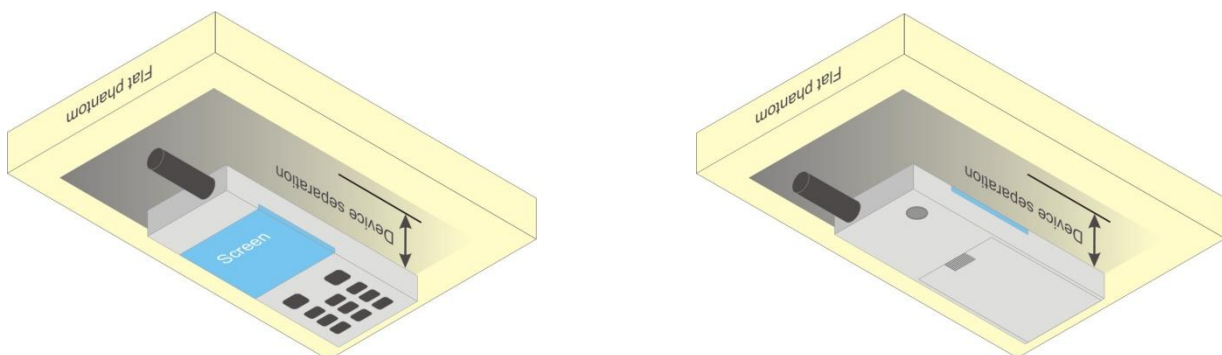
#### 4.2.2 Body-Worn Accessory Exposure Conditions

Body-worn accessory exposure is typically related to voice mode operations when handsets are carried in body-worn accessories. The body-worn accessory procedures in KDB 447498 D01 are used to test for body-worn accessory SAR compliance, without a headset connected to it. This enables the test results for such configuration to be compatible with that required for hotspot mode when the body-worn accessory test separation distance is greater than or equal to that required for hotspot mode. When the reported SAR for a body-worn accessory, measured without a headset connected to the handset, is  $> 1.2 \text{ W/kg}$ , the highest reported SAR configuration for that wireless mode and frequency band should be repeated for that body-worn accessory with a headset attached to the handset.

Body-worn accessories that do not contain metallic or conductive components may be tested according to worst-case exposure configurations, typically according to the smallest test separation distance required for the group of body-worn accessories with similar operating and exposure characteristics. All body-worn accessories containing metallic components are tested in conjunction with the host device.

Body-worn accessory SAR compliance is based on a single minimum test separation distance for all wireless and operating modes applicable to each body-worn accessory used by the host, and according to the relevant voice and/or data mode transmissions and operations. If a body-worn accessory supports voice only operations in its normal and expected use conditions, testing of data mode for body-worn compliance is not required.

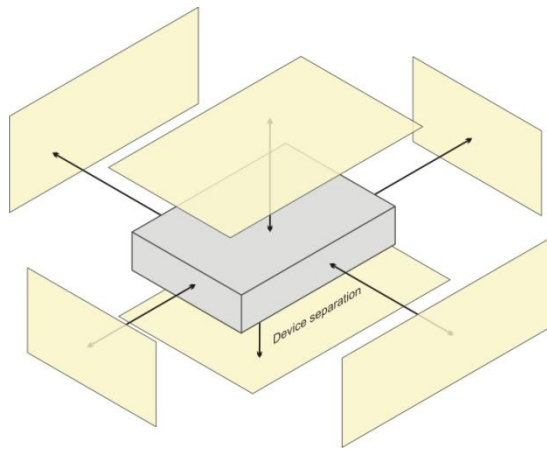
A conservative minimum test separation distance for supporting off-the-shelf body-worn accessories that may be acquired by users of consumer handsets is used to test for body-worn accessory SAR compliance. This distance is determined by the handset manufacturer, according to the requirements of Supplement C 01-01. Devices that are designed to operate on the body of users using lanyards and straps, or without requiring additional body-worn accessories, will be tested using a conservative minimum test separation distance  $\leq 5 \text{ mm}$  to support compliance.



**Fig-4.4 Illustration for Body Worn Position**

**4.2.3 Hotspot Mode Exposure conditions**

For handsets that support hotspot mode operations, with wireless router capabilities and various web browsing functions, the relevant hand and body exposure conditions are tested according to the hotspot SAR procedures in KDB 941225 D06. A test separation distance of 10 mm is required between the phantom and all surfaces and edges with a transmitting antenna located within 25 mm from that surface or edge. When the form factor of a handset is smaller than 9 cm x 5 cm, a test separation distance of 5 mm (instead of 10 mm) is required for testing hotspot mode. When the separation distance required for body-worn accessory testing is larger than or equal to that tested for hotspot mode, in the same wireless mode and for the same surface of the phone, the hotspot mode SAR data may be used to support body-worn accessory SAR compliance for that particular configuration (surface).



Based on the antenna location shown on appendix D of this report, the SAR testing required for hotspot mode is listed as below.

Antenna	Front Face	Rear Face	Left Side	Right Side	Top Side	Bottom Side
WWAN Ant-0	V	V		V		V
WWAN Ant-1	V	V	V			V
WLAN / BT	V	V	V			

# FCC SAR Test Report

## 4.2.4 Extremity Exposure conditions

For smart phones with a display diagonal dimension > 15 cm or an overall diagonal dimension > 16 cm that provide similar mobile web access and multimedia support found in mini-tablets or UMPC mini-tablets that support voice calls next to the ear, the following phablet procedures should be applied to evaluate SAR compliance for each applicable wireless modes and frequency band. Devices marketed as phablets, regardless of form factors and operating characteristics must be tested as a phablet to determine SAR compliance.

1. The normally required head and body-worn accessory SAR test procedures for handsets, including hotspot mode, must be applied.
2. The UMPC mini-tablet procedures must also be applied to test the SAR of all surfaces and edges with an antenna located at <= 25 mm from that surface or edge, in direct contact with a flat phantom, for 10-g extremity SAR according to the body-equivalent tissue dielectric parameters in KDB 865664 to address interactive hand use exposure conditions. The UMPC mini-tablet 1-g SAR at 5 mm is not required. When hotspot mode applies, 10-g extremity SAR is required only for the surfaces and edges with hotspot mode 1-g SAR > 1.2 W/kg. The normal tablet procedures in KDB 616217 are required when the over diagonal dimension of the device is > 20 cm. Hotspot mode SAR is not required when normal tablet procedures are applied. Extremity 10-g SAR is also not required for the front (top) surface of large form factor full size tablets. The more conservative tablet SAR results can be used to support the 10-g extremity SAR for phablet mode.
3. The simultaneous transmission operating configurations applicable to voice and data transmissions for both phone and mini-tablet modes must be taken into consideration separately for 1-g and 10-g SAR to determine the simultaneous transmission SAR test exclusion and measurement requirements for the relevant wireless modes and exposure conditions.

## 4.2.5 SAR Test Exclusions

According to KDB 447498 D01, the SAR test exclusion condition is based on source-based time-averaged maximum conducted output power, adjusted for tune-up tolerance, and the minimum test separation distance required for the exposure conditions. The SAR exclusion threshold is determined by the following formula.

$$\frac{\text{Max. Tune up Power}_{(mW)}}{\text{Min. Test Separation Distance}_{(mm)}} \times \sqrt{f_{(GHz)}} \leq 3.0 \text{ for SAR-1g, } \leq 7.5 \text{ for SAR-10g}$$

When the minimum test separation distance is < 5 mm, a distance of 5 mm is applied to determine SAR test exclusion.

Mode	Max. Tune-up Power (dBm)	Max. Tune-up Power (mW)	Head			Body-Worn			Hotspot		
			Ant. to Surface (mm)	Calculated Result	Require SAR Testing?	Ant. to Surface (mm)	Calculated Result	Require SAR Testing?	Ant. to Surface (mm)	Calculated Result	Require SAR Testing?
BT	2.48	9.0	5	2.5	No	10	1.3	No	10	1.3	No

### Note:

1. When separation distance <= 50 mm and the calculated result shown in above table is <= 3.0, the SAR testing exclusion is applied.





# FCC SAR Test Report

## 4.3 Tissue Verification

The measuring results for tissue simulating liquid are shown as below.

Test Date	Tissue Type	Frequency (MHz)	Liquid Temp. (°C)	Measured Conductivity (σ)	Measured Permittivity (ε <sub>r</sub> )	Target Conductivity (σ)	Target Permittivity (ε <sub>r</sub> )	Conductivity Deviation (%)	Permittivity Deviation (%)
Apr. 03, 2015	Head	750	21.5	0.894	40.229	0.89	41.9	0.45	-3.99
Apr. 03, 2015	Head	835	21.5	0.918	42.883	0.90	41.5	2.00	3.33
Apr. 03, 2015	Head	1750	21.5	1.340	38.677	1.37	40.1	-2.19	-3.55
Apr. 04, 2015	Head	1900	21.5	1.405	39.670	1.40	40.0	0.36	-0.82
Mar. 31, 2015	Head	2450	21.4	1.817	39.946	1.80	39.2	0.94	1.90
Apr. 15, 2015	Head	5300	21.1	4.674	35.740	4.76	35.9	-1.43	0.23
Apr. 15, 2015	Head	5600	21.2	4.866	35.408	5.07	35.5	-4.02	-0.26
Apr. 15, 2015	Head	5800	21.2	5.233	35.512	5.27	35.3	-0.70	0.60
Apr. 04, 2015	Body	750	21.4	0.967	55.261	0.96	55.5	0.73	-0.43
Apr. 02, 2015	Body	835	21.6	0.992	55.378	0.97	55.2	2.27	0.32
Mar. 29, 2015	Body	1750	21.8	1.500	52.446	1.49	53.4	0.67	-1.79
Apr. 04, 2015	Body	1900	21.3	1.547	53.811	1.52	53.3	1.78	0.96
Mar. 31, 2015	Body	2450	21.4	1.982	53.525	1.95	52.7	1.64	1.57
Apr. 04, 2015	Body	2450	21.3	1.982	53.545	1.95	52.7	1.64	1.60
Apr. 08, 2015	Body	5300	20.7	5.610	48.949	5.42	48.9	3.51	0.10
Apr. 15, 2015	Body	5600	21.2	5.873	48.544	5.77	48.5	1.79	0.09
Apr. 15, 2015	Body	5800	21.3	6.218	48.852	6.00	48.2	3.63	1.35

**Note:**

The dielectric properties of the tissue simulating liquid must be measured within 24 hours before the SAR testing and within ±5% of the target values. Liquid temperature during the SAR testing must be within ±2 °C.

## 4.4 System Validation

The SAR measurement system was validated according to procedures in KDB 865664 D01. The validation status in tabulated summary is as below.

Test Date	Probe S/N	Calibration Point		Measured Conductivity (σ)	Measured Permittivity (ε <sub>r</sub> )	Validation for CW			Validation for Modulation		
						Sensitivity Range	Probe Linearity	Probe Isotropy	Modulation Type	Duty Factor	PAR
Apr. 03, 2015	3864	Head	750	0.894	40.229	Pass	Pass	Pass	N/A	N/A	N/A
Apr. 03, 2015	3864	Head	835	0.918	42.883	Pass	Pass	Pass	N/A	N/A	N/A
Apr. 03, 2015	3864	Head	1750	1.340	38.677	Pass	Pass	Pass	N/A	N/A	N/A
Apr. 04, 2015	3864	Head	1900	1.405	39.670	Pass	Pass	Pass	N/A	N/A	N/A
Mar. 31, 2015	3820	Head	2450	1.817	39.946	Pass	Pass	Pass	OFDM	N/A	Pass
Apr. 15, 2015	3864	Head	5300	4.674	35.740	Pass	Pass	Pass	OFDM	N/A	Pass
Apr. 15, 2015	3864	Head	5600	4.866	35.408	Pass	Pass	Pass	OFDM	N/A	Pass
Apr. 15, 2015	3864	Head	5800	5.233	35.512	Pass	Pass	Pass	OFDM	N/A	Pass
Apr. 04, 2015	3864	Body	750	0.967	55.261	Pass	Pass	Pass	N/A	N/A	N/A
Apr. 02, 2015	3650	Body	835	0.992	55.378	Pass	Pass	Pass	N/A	N/A	N/A
Mar. 29, 2015	3864	Body	1750	1.500	52.446	Pass	Pass	Pass	N/A	N/A	N/A
Apr. 04, 2015	3864	Body	1900	1.547	53.811	Pass	Pass	Pass	N/A	N/A	N/A
Mar. 31, 2015	3820	Body	2450	1.982	53.525	Pass	Pass	Pass	OFDM	N/A	Pass
Apr. 04, 2015	3864	Body	2450	1.982	53.545	Pass	Pass	Pass	OFDM	N/A	Pass
Apr. 08, 2015	3864	Body	5300	5.610	48.949	Pass	Pass	Pass	OFDM	N/A	Pass
Apr. 15, 2015	3864	Body	5600	5.873	48.544	Pass	Pass	Pass	OFDM	N/A	Pass
Apr. 15, 2015	3864	Body	5800	6.218	48.852	Pass	Pass	Pass	OFDM	N/A	Pass

# FCC SAR Test Report

## 4.5 System Verification

The measuring result for system verification is tabulated as below.

Test Date	Mode	Frequency (MHz)	1W Target SAR-1g (W/kg)	Measured SAR-1g (W/kg)	Normalized to 1W SAR-1g (W/kg)	Deviation (%)	Dipole S/N	Probe S/N	DAE S/N
Apr. 03, 2015	Head	750	8.35	2.10	8.40	0.60	1013	3864	510
Apr. 03, 2015	Head	835	9.43	2.39	9.56	1.38	4d121	3864	510
Apr. 03, 2015	Head	1750	37.30	9.53	38.12	2.20	1055	3864	510
Apr. 04, 2015	Head	1900	40.70	9.74	38.96	-4.28	5d036	3864	510
Mar. 31, 2015	Head	2450	51.00	13.10	52.40	2.75	737	3820	913
Apr. 15, 2015	Head	5300	83.40	7.90	79.00	-5.28	1019	3864	510
Apr. 15, 2015	Head	5600	83.80	7.86	78.60	-6.21	1019	3864	510
Apr. 15, 2015	Head	5800	80.20	7.68	76.80	-4.24	1019	3864	510
Apr. 04, 2015	Body	750	8.71	2.15	8.60	-1.26	1013	3864	510
Apr. 02, 2015	Body	835	9.55	2.40	9.60	0.52	4d121	3650	1277
Mar. 29, 2015	Body	1750	37.70	9.16	36.64	-2.81	1055	3864	510
Apr. 04, 2015	Body	1900	40.50	10.90	43.60	7.65	5d036	3864	510
Mar. 31, 2015	Body	2450	49.50	12.20	48.80	-1.41	737	3820	913
Apr. 04, 2015	Body	2450	49.50	13.00	52.00	5.05	737	3864	510
Apr. 08, 2015	Body	5300	77.10	7.55	75.50	-2.08	1019	3864	510
Apr. 15, 2015	Body	5600	80.80	8.60	86.00	6.44	1019	3864	510
Apr. 15, 2015	Body	5800	73.90	7.88	78.80	6.63	1019	3864	510

**Note:**

Comparing to the reference SAR value provided by SPEAG, the validation data should be within its specification of 10 %. The result indicates the system check can meet the variation criterion and the plots can be referred to Appendix A of this report.



# FCC SAR Test Report

## 4.6 Maximum Output Power

### 4.6.1 Maximum Conducted Power

The maximum conducted average power (Unit: dBm) including tune-up tolerance is shown as below.

Mode	CDMA BC0	CDMA BC1
1xRTT	24.0	24.0
1xEVDO Rev.0	24.0	24.0
1xEVDO Rev.A	24.0	24.0

Mode	LTE 4	LTE 13
QPSK / 16QAM	23.0	23.5

Mode	2.4G WLAN	5.2G WLAN	5.3G WLAN	5.6G WLAN	5.8G WLAN
802.11b	15.5	N/A	N/A	N/A	N/A
802.11g	13.5	N/A	N/A	N/A	N/A
802.11a	N/A	9.0	9.0	9.0	9.0
802.11n HT20	11.5	9.0	9.0	9.0	9.0
802.11n HT40	11.0	8.0	8.5	8.0	7.5

Mode	Bluetooth
All	9.0

### 4.6.2 Measured Conducted Power Result

The measuring conducted average power (Unit: dBm) is shown as below.

Band Channel	CDMA BC0			CDMA BC1		
	1013	384	777	25	600	1175
Frequency (MHz)	824.70	836.52	848.31	1851.25	1880.00	1908.75
1xRTT RC1+SO55	23.80	23.79	23.69	23.88	23.55	23.85
1xRTT RC3+SO55	<b>23.86</b>	23.83	23.75	<b>24.00</b>	23.67	23.99
1xRTT RC3+SO32 (FCH)	23.76	23.74	23.72	23.89	23.52	23.86
1xRTT RC3+SO32 (SCH)	23.77	23.78	23.73	23.93	23.52	23.86
1xEVDO Rev.0 RTAP 153.6	23.81	23.82	23.77	23.80	23.42	23.86
1xEVDO Rev.A RETAP 4096	23.74	23.77	23.72	23.82	23.44	23.90

# FCC SAR Test Report

LTE Band / BW	RB Size	RB Offset	QPSK			3GPP MPR (dB)	16QAM			3GPP MPR (dB)
			Low CH 19957	Mid CH 20175	High CH 20393		Low CH 19957	Mid CH 20175	High CH 20393	
			1710.7 MHz	1732.5 MHz	1754.3 MHz		1710.7 MHz	1732.5 MHz	1754.3 MHz	
4 / 1.4M	1	0	21.98	22.01	<b>22.02</b>	0	20.96	20.99	<b>21.00</b>	1
	1	2	21.95	21.98	21.99	0	20.93	20.96	20.97	1
	1	5	21.79	21.82	21.83	0	20.77	20.80	20.81	1
	3	0	21.16	21.19	21.20	0	20.14	20.17	20.18	1
	3	1	21.20	21.23	21.24	0	20.18	20.21	20.22	1
	3	3	21.14	21.17	21.18	0	20.12	20.15	20.16	1
	6	0	21.19	21.22	21.23	1	20.17	20.20	20.21	2

LTE Band / BW	RB Size	RB Offset	QPSK			3GPP MPR (dB)	16QAM			3GPP MPR (dB)
			Low CH 19965	Mid CH 20175	High CH 20385		Low CH 19965	Mid CH 20175	High CH 20385	
			1711.5 MHz	1732.5 MHz	1753.5 MHz		1711.5 MHz	1732.5 MHz	1753.5 MHz	
4 / 3M	1	0	22.09	22.12	<b>22.13</b>	0	21.08	21.11	<b>21.12</b>	1
	1	7	22.06	22.09	22.10	0	21.05	21.08	21.09	1
	1	14	21.90	21.93	21.94	0	20.89	20.92	20.93	1
	8	0	21.27	21.30	21.31	1	20.26	20.29	20.30	2
	8	3	21.31	21.34	21.35	1	20.30	20.33	20.34	2
	8	7	21.25	21.28	21.29	1	20.24	20.27	20.28	2
	15	0	21.30	21.33	21.34	1	20.29	20.32	20.33	2

LTE Band / BW	RB Size	RB Offset	QPSK			3GPP MPR (dB)	16QAM			3GPP MPR (dB)
			Low CH 19975	Mid CH 20175	High CH 20375		Low CH 19975	Mid CH 20175	High CH 20375	
			1712.5 MHz	1732.5 MHz	1752.5 MHz		1712.5 MHz	1732.5 MHz	1752.5 MHz	
4 / 5M	1	0	22.20	22.23	<b>22.24</b>	0	21.18	21.21	<b>21.22</b>	1
	1	12	22.17	22.20	22.21	0	21.15	21.18	21.19	1
	1	24	22.01	22.04	22.05	0	20.99	21.02	21.03	1
	12	0	21.38	21.41	21.42	1	20.36	20.39	20.40	2
	12	6	21.42	21.45	21.46	1	20.40	20.43	20.44	2
	12	13	21.36	21.39	21.40	1	20.34	20.37	20.38	2
	25	0	21.41	21.44	21.45	1	20.39	20.42	20.43	2

LTE Band / BW	RB Size	RB Offset	QPSK			3GPP MPR (dB)	16QAM			3GPP MPR (dB)
			Low CH 20000	Mid CH 20175	High CH 20350		Low CH 20000	Mid CH 20175	High CH 20350	
			1715.0 MHz	1732.5 MHz	1750.0 MHz		1715.0 MHz	1732.5 MHz	1750.0 MHz	
4 / 10M	1	0	22.33	22.36	<b>22.37</b>	0	21.32	21.35	<b>21.36</b>	1
	1	24	22.30	22.33	22.34	0	21.29	21.32	21.33	1
	1	49	22.14	22.17	22.18	0	21.13	21.16	21.17	1
	25	0	21.51	21.54	21.55	1	20.50	20.53	20.54	2
	25	12	21.55	21.58	21.59	1	20.54	20.57	20.58	2
	25	25	21.49	21.52	21.53	1	20.48	20.51	20.52	2
	50	0	21.54	21.57	21.58	1	20.53	20.56	20.57	2

# FCC SAR Test Report

LTE Band / BW	RB Size	RB Offset	QPSK			3GPP MPR (dB)	16QAM			3GPP MPR (dB)
			Low CH 20025	Mid CH 20175	High CH 20325		Low CH 20025	Mid CH 20175	High CH 20325	
			1717.5 MHz	1732.5 MHz	1747.5 MHz		1717.5 MHz	1732.5 MHz	1747.5 MHz	
4 / 15M	1	0	22.44	22.47	<b>22.48</b>	0	21.42	21.45	<b>21.46</b>	1
	1	37	22.41	22.44	22.45	0	21.39	21.42	21.43	1
	1	74	22.25	22.28	22.29	0	21.23	21.26	21.27	1
	36	0	21.62	21.65	21.66	1	20.60	20.63	20.64	2
	36	19	21.66	21.69	21.70	1	20.64	20.67	20.68	2
	36	39	21.60	21.63	21.64	1	20.58	20.61	20.62	2
	75	0	21.65	21.68	21.69	1	20.63	20.66	20.67	2

LTE Band / BW	RB Size	RB Offset	QPSK			3GPP MPR (dB)	16QAM			3GPP MPR (dB)
			Low CH 20050	Mid CH 20175	High CH 20300		Low CH 20050	Mid CH 20175	High CH 20300	
			1720.0 MHz	1732.5 MHz	1745.0 MHz		1720.0 MHz	1732.5 MHz	1745.0 MHz	
4 / 20M	1	0	22.56	22.59	<b>22.60</b>	0	21.55	21.58	<b>21.59</b>	1
	1	50	22.53	22.56	22.57	0	21.52	21.55	21.56	1
	1	99	22.37	22.40	22.41	0	21.36	21.39	21.40	1
	50	0	21.74	21.77	21.78	1	20.73	20.76	20.77	2
	50	25	21.78	21.81	21.82	1	20.77	20.80	20.81	2
	50	50	21.72	21.75	21.76	1	20.71	20.74	20.75	2
	100	0	21.77	21.80	21.81	1	20.76	20.79	20.80	2

LTE Band / BW	RB Size	RB Offset	QPSK			3GPP MPR (dB)	16QAM			3GPP MPR (dB)
			Low CH 23205	Mid CH 23230	High CH 23255		Low CH 23205	Mid CH 23230	High CH 23255	
			779.5 MHz	782.0 MHz	784.5 MHz		779.5 MHz	782.0 MHz	784.5 MHz	
13 / 5M	1	0	22.97	22.96	<b>22.99</b>	0	21.95	21.94	<b>21.97</b>	1
	1	12	22.92	22.91	22.94	0	21.90	21.89	21.92	1
	1	24	22.89	22.88	22.91	0	21.87	21.86	21.89	1
	12	0	21.97	21.96	21.99	1	20.95	20.94	20.97	2
	12	6	21.96	21.95	21.98	1	20.94	20.93	20.96	2
	12	13	21.95	21.94	21.97	1	20.93	20.92	20.95	2
	25	0	22.03	22.02	22.05	1	21.01	21.00	21.03	2

LTE Band / BW	RB Size	RB Offset	QPSK			3GPP MPR (dB)	16QAM			3GPP MPR (dB)
			Mid CH 23230				Mid CH 23230			
			782.0 MHz				782.0 MHz			
13 / 10M	1	0	<b>23.07</b>			0	<b>22.05</b>			1
	1	24	23.02			0	22.00			1
	1	49	22.99			0	21.97			1
	25	0	22.07			1	21.05			2
	25	12	22.06			1	21.04			2
	25	25	22.05			1	21.03			2
	50	0	22.13			1	21.11			2



# FCC SAR Test Report

## <WLAN 2.4G>

Mode	802.11b		
Channel / Frequency (MHz)	1 (2412)	6 (2437)	11 (2462)
Average Power	15.10	15.15	15.00
Mode	802.11g		
Channel / Frequency (MHz)	1 (2412)	6 (2437)	11 (2462)
Average Power	12.90	13.09	12.79
Mode	802.11n (HT20)		
Channel / Frequency (MHz)	1 (2412)	6 (2437)	11 (2462)
Average Power	10.91	11.13	10.80
Mode	802.11n (HT40)		
Channel / Frequency (MHz)	3 (2422)	6 (2437)	9 (2452)
Average Power	10.81	10.94	10.93

## <WLAN 5.2G>

Mode	802.11a			
Channel / Frequency (MHz)	36 (5180)	40 (5200)	44 (5220)	48 (5240)
Average Power	8.78	8.75	8.94	8.83
Mode	802.11n (HT20)			
Channel / Frequency (MHz)	36 (5180)	40 (5200)	44 (5220)	48 (5240)
Average Power	8.77	8.68	8.95	8.85
Mode	802.11n (HT40)			
Channel / Frequency (MHz)	38 (5190)		46 (5230)	
Average Power	7.76		7.89	

## <WLAN 5.3G>

Mode	802.11a			
Channel / Frequency (MHz)	52 (5260)	56 (5280)	60 (5300)	64 (5320)
Average Power	8.90	8.92	8.98	8.95
Mode	802.11n (HT20)			
Channel / Frequency (MHz)	52 (5260)	56 (5280)	60 (5300)	64 (5320)
Average Power	8.81	8.94	8.89	8.97
Mode	802.11n (HT40)			
Channel / Frequency (MHz)	54 (5270)		62 (5310)	
Average Power	7.87		8.06	

## <WLAN 5.6G>

Mode	802.11a							
Channel / Frequency (MHz)	100 (5500)	104 (5520)	108 (5540)	112 (5560)	116 (5580)	132 (5660)	136 (5680)	140 (5700)
Average Power	8.84	8.79	8.76	8.71	8.77	8.69	8.55	8.54
Mode	802.11n (HT20)							
Channel / Frequency (MHz)	100 (5500)	104 (5520)	108 (5540)	112 (5560)	116 (5580)	132 (5660)	136 (5680)	140 (5700)
Average Power	8.89	8.84	8.78	8.75	8.80	8.67	8.60	8.52
Mode	802.11n (HT40)							
Channel / Frequency (MHz)	102 (5510)				134 (5670)			
Average Power	7.82				7.65			



# FCC SAR Test Report

## <WLAN 5.8G>

Mode	802.11a				
Channel / Frequency (MHz)	149 (5745)	153 (5765)	157 (5785)	161 (5805)	165 (5825)
Average Power	8.60	8.53	8.64	8.51	8.40
Mode	802.11n (HT20)				
Channel / Frequency (MHz)	149 (5745)	153 (5765)	157 (5785)	161 (5805)	165 (5825)
Average Power	8.67	8.60	8.56	8.49	8.39
Mode	802.11n (HT40)				
Channel / Frequency (MHz)	151 (5755)		159 (5795)		
Average Power	7.44		7.48		

## 4.7 SAR Testing Results

### 4.7.1 SAR Results for Head

Plot No.	Band	Mode	Test Position	Ch.	Max. Tune-up Power (dBm)	Measured Conducted Power (dBm)	Scaling Factor	Power Drift (dB)	Measured SAR-1g (W/kg)	Scaled SAR-1g (W/kg)
	CDMA BC0	RC3+SO55	Right Cheek	1013	24.0	23.86	1.03	0.03	0.341	0.35
	CDMA BC0	RC3+SO55	Right Tilted	1013	24.0	23.86	1.03	-0.02	0.294	0.30
01	CDMA BC0	RC3+SO55	Left Cheek	1013	24.0	23.86	1.03	0.13	0.369	0.38
	CDMA BC0	RC3+SO55	Left Tilted	1013	24.0	23.86	1.03	-0.04	0.255	0.26
	CDMA BC1	RC3+SO55	Right Cheek	25	24.0	24.00	1.00	-0.02	0.298	0.30
	CDMA BC1	RC3+SO55	Right Tilted	25	24.0	24.00	1.00	0.1	0.219	0.22
02	CDMA BC1	RC3+SO55	Left Cheek	25	24.0	24.00	1.00	0.15	0.567	0.57
	CDMA BC1	RC3+SO55	Left Tilted	25	24.0	24.00	1.00	0.06	0.193	0.19

#### Note:

- SAR is performed on the highest power channel. When the reported SAR value of highest power channel is <= 0.8 W/kg, SAR testing for optional channel is not required.



# FCC SAR Test Report

A D T

Plot No.	Band	Mode	Test Position	Ch.	RB#	RB Offset	Max. Tune-up Power (dBm)	Measured Conducted Power (dBm)	Scaling Factor	Power Drift (dB)	Measured SAR-1g (W/kg)	Scaled SAR-1g (W/kg)
	LTE 4	QPSK20M	Right Cheek	20300	1	0	23.0	22.60	1.10	0.12	0.297	0.33
	LTE 4	QPSK20M	Right Cheek	20300	50	25	22.0	21.82	1.04	0.1	0.205	0.21
	LTE 4	QPSK20M	Right Tilted	20300	1	0	23.0	22.60	1.10	0.01	0.169	0.19
	LTE 4	QPSK20M	Right Tilted	20300	50	25	22.0	21.82	1.04	0.18	0.113	0.12
03	LTE 4	QPSK20M	Left Cheek	20300	1	0	23.0	22.60	1.10	0.04	0.560	0.61
	LTE 4	QPSK20M	Left Cheek	20300	50	25	22.0	21.82	1.04	0.12	0.388	0.40
	LTE 4	QPSK20M	Left Tilted	20300	1	0	23.0	22.60	1.10	0.02	0.197	0.22
	LTE 4	QPSK20M	Left Tilted	20300	50	25	22.0	21.82	1.04	0.1	0.129	0.13
	LTE 13	QPSK10M	Right Cheek	23230	1	0	23.5	23.07	1.10	-0.17	0.303	0.33
	LTE 13	QPSK10M	Right Cheek	23230	25	0	22.5	22.07	1.10	0.04	0.234	0.26
	LTE 13	QPSK10M	Right Tilted	23230	1	0	23.5	23.07	1.10	0.07	0.191	0.21
	LTE 13	QPSK10M	Right Tilted	23230	25	0	22.5	22.07	1.10	0.1	0.151	0.17
04	LTE 13	QPSK10M	Left Cheek	23230	1	0	23.5	23.07	1.10	0.12	0.386	0.43
	LTE 13	QPSK10M	Left Cheek	23230	25	0	22.5	22.07	1.10	0.13	0.303	0.33
	LTE 13	QPSK10M	Left Tilted	23230	1	0	23.5	23.07	1.10	0.03	0.245	0.27
	LTE 13	QPSK10M	Left Tilted	23230	25	0	22.5	22.07	1.10	0.12	0.188	0.21

### Note:

1. According to KDB 941225, LTE SAR testing for remaining RB offset configurations and required test channels is not required when the reported SAR of highest power 1RB configuration is less than 0.8 W/kg.
2. According to KDB 941225, LTE SAR testing for remaining RB offset configurations and required test channels is not required when the reported SAR of highest power 50% RB configuration is less than 0.8 W/kg.
3. According to KDB 941225, LTE SAR testing for 100% RB is not required when the maximum power of 100% RB is less than the maximum power of 1RB and 50% RB, and the highest reported SAR for 1RB and 50% RB is less than 0.8 W/kg.
4. According to KDB 941225, LTE SAR testing for 16QAM is not required when the maximum power of 16QAM is less 1/2 dB higher than QPSK, and the highest reported SAR of QPSK is less than 1.45 W/kg.
5. According to KDB 941225, LTE SAR testing for smaller channel bandwidth is not required when the maximum power of smaller channel bandwidth is less 1/2 dB higher than largest channel bandwidth, and the highest reported SAR of largest channel bandwidth is less than 1.45 W/kg.



Plot No.	Band	Mode	Test Position	Ch.	Max. Tune-up Power (dBm)	Measured Conducted Power (dBm)	Scaling Factor	Power Drift (dB)	Estimated SAR (W/kg)	Measured SAR-1g (W/kg)	Scaled SAR-1g (W/kg)
05	2.4G WLAN	802.11b	Right Cheek	6	15.5	15.15	1.08	0.03	0.105	0.113	<b>0.12</b>
	2.4G WLAN	802.11b	Right Tilted	6	15.5	15.15	1.08	0.15	0.0391		
	2.4G WLAN	802.11b	Left Cheek	6	15.5	15.15	1.08	0.04	0.0592		
	2.4G WLAN	802.11b	Left Tilted	6	15.5	15.15	1.08	0.11	0.0234		
06	5.3G WLAN	802.11a	Right Cheek	60	9.0	8.98	1.00	0	0.016	0.038	<b>0.04</b>
	5.3G WLAN	802.11a	Right Tilted	60	9.0	8.98	1.00	0.03	0.0042		
	5.3G WLAN	802.11a	Left Cheek	60	9.0	8.98	1.00	0.01	0.013		
	5.3G WLAN	802.11a	Left Tilted	60	9.0	8.98	1.00	0.02	0.00000667		
07	5.6G WLAN	802.11a	Right Cheek	116	9.0	8.89	1.03	0	0.018		
	5.6G WLAN	802.11a	Right Tilted	116	9.0	8.89	1.03	0.11	0.00306		
	5.6G WLAN	802.11a	Left Cheek	116	9.0	8.89	1.03	0	0.025	0.041	<b>0.04</b>
	5.6G WLAN	802.11a	Left Tilted	116	9.0	8.89	1.03	0.12	0.00117		
08	5.8G WLAN	802.11a	Right Cheek	157	9.0	8.64	1.09	0	0.014	0.044	<b>0.05</b>
	5.8G WLAN	802.11a	Right Tilted	157	9.0	8.64	1.09	0.11	0.0000765		
	5.8G WLAN	802.11a	Left Cheek	157	9.0	8.64	1.09	0.12	0.012		
	5.8G WLAN	802.11a	Left Tilted	157	9.0	8.64	1.09	0.14	0.000784		

**Note:**

- For handsets operating next to ear, hotspot mode or mini-tablet configurations, the initial test position procedures were applied. The test position with the highest extrapolated peak SAR will be used as the initial test position. When the reported SAR of initial test position is  $\leq 0.4$  W/kg, SAR testing for remaining test positions is not required. Otherwise, SAR is evaluated at the subsequent highest peak SAR positions until the reported SAR result is  $\leq 0.8$  W/kg or all test positions are measured.
- For WLAN 2.4 GHz, the highest measured maximum output power channel for DSSS was selected for SAR measurement. When the reported SAR is  $\leq 0.8$  W/kg, no further SAR testing is required. Otherwise, SAR is evaluated at the next highest measured output power channel. When any reported SAR is  $> 1.2$  W/kg, SAR is required for the third channel. For OFDM modes (802.11g/n), SAR is not required when the highest reported SAR for DSSS is adjusted by the ratio of OFDM to DSSS specified maximum output power and it is  $\leq 1.2$  W/kg.
- For WLAN 5 GHz, the initial test configuration was selected according to the transmission mode with the highest maximum output power. When the reported SAR of initial test configuration is  $> 0.8$  W/kg, SAR is required for the subsequent highest measured output power channel until the reported SAR result is  $\leq 1.2$  W/kg or all required channels are measured. For other transmission modes, SAR is not required when the highest reported SAR for initial test configuration is adjusted by the ratio of subsequent test configuration to initial test configuration specified maximum output power and it is  $\leq 1.2$  W/kg.



# FCC SAR Test Report

## 4.7.2 SAR Results for Body-Worn (Separation Distance is 1.0 cm Gap)

Plot No.	Band	Mode	Test Position	Ch.	Max. Tune-up Power (dBm)	Measured Conducted Power (dBm)	Scaling Factor	Power Drift (dB)	Measured SAR-1g (W/kg)	Scaled SAR-1g (W/kg)
09	CDMA BC0	RTAP 153.6	Front Face	384	24.0	23.82	1.04	0.02	0.449	<b>0.47</b>
	CDMA BC0	RTAP 153.6	Rear Face	384	24.0	23.82	1.04	0.03	0.365	0.38
10	CDMA BC1	RTAP 153.6	Front Face	1175	24.0	23.86	1.03	0.03	0.754	<b>0.78</b>
	CDMA BC1	RTAP 153.6	Rear Face	1175	24.0	23.86	1.03	-0.07	0.706	0.73

**Note:**

- SAR is performed on the highest power channel. When the reported SAR value of highest power channel is <= 0.8 W/kg, SAR testing for optional channel is not required.

Plot No.	Band	Mode	Test Position	Ch.	RB#	RB Offset	Max. Tune-up Power (dBm)	Measured Conducted Power (dBm)	Scaling Factor	Power Drift (dB)	Measured SAR-1g (W/kg)	Scaled SAR-1g (W/kg)
	LTE 4	QPSK20M	Front Face	20300	1	0	23.0	22.60	1.10	0.03	0.524	0.57
	LTE 4	QPSK20M	Front Face	20300	50	25	22.0	21.82	1.04	0.09	0.375	0.39
11	LTE 4	QPSK20M	Rear Face	20300	1	0	23.0	22.60	1.10	-0.06	0.599	<b>0.66</b>
	LTE 4	QPSK20M	Rear Face	20300	50	25	22.0	21.82	1.04	-0.01	0.468	0.49
12	LTE 13	QPSK10M	Front Face	23230	1	0	23.5	23.07	1.10	-0.11	0.556	<b>0.61</b>
	LTE 13	QPSK10M	Front Face	23230	25	0	22.5	22.07	1.10	0.05	0.436	0.48
	LTE 13	QPSK10M	Rear Face	23230	1	0	23.5	23.07	1.10	-0.03	0.467	0.52
	LTE 13	QPSK10M	Rear Face	23230	25	0	22.5	22.07	1.10	0.06	0.364	0.40

**Note:**

- According to KDB 941225, LTE SAR testing for remaining RB offset configurations and required test channels is not required when the reported SAR of highest power 1RB configuration is less than 0.8 W/kg.
- According to KDB 941225, LTE SAR testing for remaining RB offset configurations and required test channels is not required when the reported SAR of highest power 50% RB configuration is less than 0.8 W/kg.
- According to KDB 941225, LTE SAR testing for 100% RB is not required when the maximum power of 100% RB is less than the maximum power of 1RB and 50% RB, and the highest reported SAR for 1RB and 50% RB is less than 0.8 W/kg.
- According to KDB 941225, LTE SAR testing for 16QAM is not required when the maximum power of 16QAM is less 1/2 dB higher than QPSK, and the highest reported SAR of QPSK is less than 1.45 W/kg.
- According to KDB 941225, LTE SAR testing for smaller channel bandwidth is not required when the maximum power of smaller channel bandwidth is less 1/2 dB higher than largest channel bandwidth, and the highest reported SAR of largest channel bandwidth is less than 1.45 W/kg.

Plot No.	Band	Mode	Test Position	Ch.	Max. Tune-up Power (dBm)	Measured Conducted Power (dBm)	Scaling Factor	Power Drift (dB)	Estimated SAR (W/kg)	Measured SAR-1g (W/kg)	Scaled SAR-1g (W/kg)
13	2.4G WLAN	802.11b	Front Face	6	15.5	15.15	1.08	0.18	0.0325	0.034	<b>0.04</b>
	2.4G WLAN	802.11b	Rear Face	6	15.5	15.15	1.08	-0.11	0.0281		
14	5.3G WLAN	802.11a	Front Face	60	9.0	8.98	1.00	-0.12	0.0095		
	5.3G WLAN	802.11a	Rear Face	60	9.0	8.98	1.00	0.02	0.093	0.188	<b>0.19</b>
15	5.6G WLAN	802.11a	Front Face	116	9.0	8.84	1.04	0.18	0.0061		
	5.6G WLAN	802.11a	Rear Face	116	9.0	8.84	1.04	-0.17	0.101	0.176	<b>0.18</b>
16	5.8G WLAN	802.11a	Front Face	157	9.0	8.64	1.09	0.12	0.0067		
	5.8G WLAN	802.11a	Rear Face	157	9.0	8.64	1.09	-0.18	0.06	0.104	<b>0.11</b>

**Note:**

- For handsets operating next to ear, hotspot mode or mini-tablet configurations, the initial test position procedures were applied. The test position with the highest extrapolated peak SAR will be used as the initial test position. When the reported SAR of initial test position is  $\leq 0.4$  W/kg, SAR testing for remaining test positions is not required. Otherwise, SAR is evaluated at the subsequent highest peak SAR positions until the reported SAR result is  $\leq 0.8$  W/kg or all test positions are measured.
- For WLAN 2.4 GHz, the highest measured maximum output power channel for DSSS was selected for SAR measurement. When the reported SAR is  $\leq 0.8$  W/kg, no further SAR testing is required. Otherwise, SAR is evaluated at the next highest measured output power channel. When any reported SAR is  $> 1.2$  W/kg, SAR is required for the third channel. For OFDM modes (802.11g/n), SAR is not required when the highest reported SAR for DSSS is adjusted by the ratio of OFDM to DSSS specified maximum output power and it is  $\leq 1.2$  W/kg.
- For WLAN 5 GHz, the initial test configuration was selected according to the transmission mode with the highest maximum output power. When the reported SAR of initial test configuration is  $> 0.8$  W/kg, SAR is required for the subsequent highest measured output power channel until the reported SAR result is  $\leq 1.2$  W/kg or all required channels are measured. For other transmission modes, SAR is not required when the highest reported SAR for initial test configuration is adjusted by the ratio of subsequent test configuration to initial test configuration specified maximum output power and it is  $\leq 1.2$  W/kg.



# FCC SAR Test Report

## 4.7.3 SAR Results for Hotspot (Separation Distance is 1.0 cm Gap)

Plot No.	Band	Mode	Test Position	Ch.	Max. Tune-up Power (dBm)	Measured Conducted Power (dBm)	Scaling Factor	Power Drift (dB)	Measured SAR-1g (W/kg)	Scaled SAR-1g (W/kg)
	CDMA BC0	RTAP 153.6	Front Face	384	24.0	23.82	1.04	0.02	0.449	0.47
	CDMA BC0	RTAP 153.6	Rear Face	384	24.0	23.82	1.04	0.03	0.365	0.38
17	CDMA BC0	RTAP 153.6	Right Side	384	24.0	23.82	1.04	-0.07	0.520	0.54
	CDMA BC0	RTAP 153.6	Bottom Side	384	24.0	23.82	1.04	-0.02	0.076	0.08
10	CDMA BC1	RTAP 153.6	Front Face	1175	24.0	23.86	1.03	0.03	0.754	0.78
	CDMA BC1	RTAP 153.6	Rear Face	1175	24.0	23.86	1.03	-0.07	0.706	0.73
	CDMA BC1	RTAP 153.6	Right Side	1175	24.0	23.86	1.03	0.02	0.486	0.50
	CDMA BC1	RTAP 153.6	Bottom Side	1175	24.0	23.86	1.03	0.05	0.465	0.48

### Note:

- SAR is performed on the highest power channel. When the reported SAR value of highest power channel is  $\leq 0.8$  W/kg, SAR testing for optional channel is not required.

Plot No.	Band	Mode	Test Position	Ch.	RB#	RB Offset	Max. Tune-up Power (dBm)	Measured Conducted Power (dBm)	Scaling Factor	Power Drift (dB)	Measured SAR-1g (W/kg)	Scaled SAR-1g (W/kg)
	LTE 4	QPSK20M	Front Face	20300	1	0	23.0	22.60	1.10	0.03	0.524	0.57
	LTE 4	QPSK20M	Front Face	20300	50	25	22.0	21.82	1.04	0.09	0.375	0.39
11	LTE 4	QPSK20M	Rear Face	20300	1	0	23.0	22.60	1.10	-0.06	0.599	0.66
	LTE 4	QPSK20M	Rear Face	20300	50	25	22.0	21.82	1.04	-0.01	0.468	0.49
	LTE 4	QPSK20M	Left Side	20300	1	0	23.0	22.60	1.10	-0.01	0.27	0.30
	LTE 4	QPSK20M	Left Side	20300	50	25	22.0	21.82	1.04	-0.07	0.19	0.20
	LTE 4	QPSK20M	Bottom Side	20300	1	0	23.0	22.60	1.10	0.04	0.235	0.26
	LTE 4	QPSK20M	Bottom Side	20300	50	25	22.0	21.82	1.04	0.03	0.172	0.18
12	LTE 13	QPSK10M	Front Face	23230	1	0	23.5	23.07	1.10	-0.11	0.556	0.61
	LTE 13	QPSK10M	Front Face	23230	25	0	22.5	22.07	1.10	0.05	0.436	0.48
	LTE 13	QPSK10M	Rear Face	23230	1	0	23.5	23.07	1.10	-0.03	0.467	0.52
	LTE 13	QPSK10M	Rear Face	23230	25	0	22.5	22.07	1.10	0.06	0.364	0.40
	LTE 13	QPSK10M	Left Side	23230	1	0	23.5	23.07	1.10	-0.05	0.29	0.32
	LTE 13	QPSK10M	Left Side	23230	25	0	22.5	22.07	1.10	0.05	0.229	0.25
	LTE 13	QPSK10M	Bottom Side	23230	1	0	23.5	23.07	1.10	0.02	0.148	0.16
	LTE 13	QPSK10M	Bottom Side	23230	25	0	22.5	22.07	1.10	0.01	0.118	0.13

### Note:

- According to KDB 941225, LTE SAR testing for remaining RB offset configurations and required test channels is not required when the reported SAR of highest power 1RB configuration is less than 0.8 W/kg.
- According to KDB 941225, LTE SAR testing for remaining RB offset configurations and required test channels is not required when the reported SAR of highest power 50% RB configuration is less than 0.8 W/kg.
- According to KDB 941225, LTE SAR testing for 100% RB is not required when the maximum power of 100% RB is less than the maximum power of 1RB and 50% RB, and the highest reported SAR for 1RB and 50% RB is less than 0.8 W/kg.
- According to KDB 941225, LTE SAR testing for 16QAM is not required when the maximum power of 16QAM is less 1/2 dB higher than QPSK, and the highest reported SAR of QPSK is less than 1.45 W/kg.
- According to KDB 941225, LTE SAR testing for smaller channel bandwidth is not required when the maximum power of smaller channel bandwidth is less 1/2 dB higher than largest channel bandwidth, and the highest reported SAR of largest channel bandwidth is less than 1.45 W/kg.

Plot No.	Band	Mode	Test Position	Ch.	Max. Tune-up Power (dBm)	Measured Conducted Power (dBm)	Scaling Factor	Power Drift (dB)	Estimated SAR (W/kg)	Measured SAR-1g (W/kg)	Scaled SAR-1g (W/kg)
	2.4G WLAN	802.11b	Front Face	6	15.5	15.15	1.08	0.18	0.0325		
	2.4G WLAN	802.11b	Rear Face	6	15.5	15.15	1.08	-0.11	0.0281		
18	2.4G WLAN	802.11b	Left Side	6	15.5	15.15	1.08	0.06	0.0668	0.074	0.08
	5.3G WLAN	802.11a	Front Face	60	9.0	8.98	1.00	-0.12	0.0095		
14	5.3G WLAN	802.11a	Rear Face	60	9.0	8.98	1.00	0.02	0.093	0.188	0.19
	5.3G WLAN	802.11a	Left Side	60	9.0	8.98	1.00	-0.12	0.058		
	5.6G WLAN	802.11a	Front Face	116	9.0	8.84	1.04	0.18	0.0061		
15	5.6G WLAN	802.11a	Rear Face	116	9.0	8.84	1.04	-0.17	0.101	0.176	0.18
	5.6G WLAN	802.11a	Left Side	116	9.0	8.84	1.04	0.11	0.0053		
	5.8G WLAN	802.11a	Front Face	157	9.0	8.64	1.09	0.12	0.0067		
16	5.8G WLAN	802.11a	Rear Face	157	9.0	8.64	1.09	-0.18	0.06	0.104	0.11
	5.8G WLAN	802.11a	Left Side	157	9.0	8.64	1.09	0.15	0.056		

**Note:**

- For handsets operating next to ear, hotspot mode or mini-tablet configurations, the initial test position procedures were applied. The test position with the highest extrapolated peak SAR will be used as the initial test position. When the reported SAR of initial test position is  $\leq 0.4$  W/kg, SAR testing for remaining test positions is not required. Otherwise, SAR is evaluated at the subsequent highest peak SAR positions until the reported SAR result is  $\leq 0.8$  W/kg or all test positions are measured.
- For WLAN 2.4 GHz, the highest measured maximum output power channel for DSSS was selected for SAR measurement. When the reported SAR is  $\leq 0.8$  W/kg, no further SAR testing is required. Otherwise, SAR is evaluated at the next highest measured output power channel. When any reported SAR is  $> 1.2$  W/kg, SAR is required for the third channel. For OFDM modes (802.11g/n), SAR is not required when the highest reported SAR for DSSS is adjusted by the ratio of OFDM to DSSS specified maximum output power and it is  $\leq 1.2$  W/kg.
- For WLAN 5 GHz, the initial test configuration was selected according to the transmission mode with the highest maximum output power. When the reported SAR of initial test configuration is  $> 0.8$  W/kg, SAR is required for the subsequent highest measured output power channel until the reported SAR result is  $\leq 1.2$  W/kg or all required channels are measured. For other transmission modes, SAR is not required when the highest reported SAR for initial test configuration is adjusted by the ratio of subsequent test configuration to initial test configuration specified maximum output power and it is  $\leq 1.2$  W/kg.

## FCC SAR Test Report

---

### 4.7.4 SAR Measurement Variability

According to KDB 865664 D01, SAR measurement variability was assessed for each frequency band, which is determined by the SAR probe calibration point and tissue-equivalent medium used for the device measurements. When both head and body tissue-equivalent media are required for SAR measurements in a frequency band, the variability measurement procedures should be applied to the tissue medium with the highest measured SAR, using the highest measured SAR configuration for that tissue-equivalent medium. Alternatively, if the highest measured SAR for both head and body tissue-equivalent media are  $\leq 1.45$  W/kg and the ratio of these highest SAR values, i.e., largest divided by smallest value, is  $\leq 1.10$ , the highest SAR configuration for either head or body tissue-equivalent medium may be used to perform the repeated measurement. These additional measurements are repeated after the completion of all measurements requiring the same head or body tissue-equivalent medium in a frequency band. The test device should be returned to ambient conditions (normal room temperature) with the battery fully charged before it is re-mounted on the device holder for the repeated measurement(s) to minimize any unexpected variations in the repeated results.

Since all the measured SAR are less than 0.8 W/kg, the repeated measurement is not required.

# FCC SAR Test Report

## 4.7.5 Simultaneous Multi-band Transmission Evaluation

### <Estimated SAR Calculation>

According to KDB 447498 D01, when standalone SAR test exclusion applies to an antenna that transmits simultaneously with other antennas, the standalone SAR was estimated according to following formula to result in substantially conservative SAR values of  $\leq 0.4$  W/kg to determine simultaneous transmission SAR test exclusion.

$$\text{Estimated SAR} = \frac{\text{Max. Tune up Power}_{(mW)}}{\text{Min. Test Separation Distance}_{(mm)}} \times \frac{\sqrt{f_{(GHz)}}}{7.5}$$

If the minimum test separation distance is  $< 5$  mm, a distance of 5 mm is used for estimated SAR calculation. When the test separation distance is  $> 50$  mm, the 0.4 W/kg is used for SAR-1g.

Mode / Band	Frequency (GHz)	Max. Tune-up Power (dBm)	Test Position	Separation Distance (mm)	Estimated SAR (W/kg)
BT (DSS)	2.48	9.0	Body-worn	10	0.17

### Note:

1. The separation distance is determined from the outer housing of the EUT to the user.
2. When standalone SAR testing is not required, an estimated SAR can be applied to determine simultaneous transmission SAR test exclusion.

# FCC SAR Test Report

## <SAR Summation Analysis>

Simultaneous transmission SAR test exclusion is determined for each operating configuration and exposure condition according to the reported standalone SAR of each applicable simultaneous transmitting antenna. When the sum of SAR<sub>1g</sub> of all simultaneously transmitting antennas in an operating mode and exposure condition combination is within the SAR limit (SAR<sub>1g</sub> 1.6 W/kg), the simultaneous transmission SAR is not required. When the sum of SAR<sub>1g</sub> is greater than the SAR limit (SAR<sub>1g</sub> 1.6 W/kg), SAR test exclusion is determined by the SPLSR.

No.	Conditions (SAR1 + SAR2)	Exposure Condition	Test Position	Max. SAR1	Max. SAR2	SAR Summation	SPLSR Analysis
1	CDMA BC0 + WLAN (DTS)	Head	Right Cheek	0.35	0.12	0.47	Σ SAR < 1.6, Not required
			Right Tilted	0.30	0.12	0.42	Σ SAR < 1.6, Not required
			Left Cheek	0.38	0.12	0.50	Σ SAR < 1.6, Not required
			Left Tilted	0.26	0.12	0.38	Σ SAR < 1.6, Not required
		Body-Worn	Front Face	0.47	0.04	0.51	Σ SAR < 1.6, Not required
			Rear Face	0.38	0.04	0.42	Σ SAR < 1.6, Not required
		Hotspot	Front Face	0.47	0.08	0.55	Σ SAR < 1.6, Not required
			Rear Face	0.38	0.08	0.46	Σ SAR < 1.6, Not required
			Left Side	0.00	0.08	0.08	Σ SAR < 1.6, Not required
			Right Side	0.54	0.08	0.62	Σ SAR < 1.6, Not required
			Top Side	0.00	0.08	0.08	Σ SAR < 1.6, Not required
			Bottom Side	0.08	0.08	0.16	Σ SAR < 1.6, Not required
2	CDMA BC0 + WLAN (NII)	Head	Right Cheek	0.35	0.05	0.40	Σ SAR < 1.6, Not required
			Right Tilted	0.30	0.05	0.35	Σ SAR < 1.6, Not required
			Left Cheek	0.38	0.05	0.43	Σ SAR < 1.6, Not required
			Left Tilted	0.26	0.05	0.31	Σ SAR < 1.6, Not required
		Body-Worn	Front Face	0.47	0.19	0.66	Σ SAR < 1.6, Not required
			Rear Face	0.38	0.19	0.57	Σ SAR < 1.6, Not required
		Hotspot	Front Face	0.47	0.19	0.66	Σ SAR < 1.6, Not required
			Rear Face	0.38	0.19	0.57	Σ SAR < 1.6, Not required
			Left Side	0.00	0.19	0.19	Σ SAR < 1.6, Not required
			Right Side	0.54	0.00	0.54	Σ SAR < 1.6, Not required
			Top Side	0.00	0.00	0.00	Σ SAR < 1.6, Not required
			Bottom Side	0.08	0.00	0.08	Σ SAR < 1.6, Not required
3	CDMA BC0 + BT (DSS)	Body-Worn	Front Face	0.47	0.17	0.64	Σ SAR < 1.6, Not required
			Rear Face	0.38	0.17	0.55	Σ SAR < 1.6, Not required





# FCC SAR Test Report

No.	Conditions (SAR1 + SAR2)	Exposure Condition	Test Position	Max. SAR1	Max. SAR2	SAR Summation	SPLSR Analysis
4	CDMA BC1 + WLAN (DTS)	Head	Right Cheek	0.30	0.12	0.42	$\Sigma$ SAR < 1.6, Not required
			Right Tilted	0.22	0.12	0.34	$\Sigma$ SAR < 1.6, Not required
			Left Cheek	0.57	0.12	0.69	$\Sigma$ SAR < 1.6, Not required
			Left Tilted	0.19	0.12	0.31	$\Sigma$ SAR < 1.6, Not required
		Body-Worn	Front Face	0.78	0.04	0.82	$\Sigma$ SAR < 1.6, Not required
			Rear Face	0.73	0.04	0.77	$\Sigma$ SAR < 1.6, Not required
		Hotspot	Front Face	0.78	0.08	0.86	$\Sigma$ SAR < 1.6, Not required
			Rear Face	0.73	0.08	0.81	$\Sigma$ SAR < 1.6, Not required
			Left Side	0.00	0.08	0.08	$\Sigma$ SAR < 1.6, Not required
			Right Side	0.50	0.08	0.58	$\Sigma$ SAR < 1.6, Not required
			Top Side	0.00	0.08	0.08	$\Sigma$ SAR < 1.6, Not required
			Bottom Side	0.48	0.08	0.56	$\Sigma$ SAR < 1.6, Not required
5	CDMA BC1 + WLAN (NII)	Head	Right Cheek	0.30	0.05	0.35	$\Sigma$ SAR < 1.6, Not required
			Right Tilted	0.22	0.05	0.27	$\Sigma$ SAR < 1.6, Not required
			Left Cheek	0.57	0.05	0.62	$\Sigma$ SAR < 1.6, Not required
			Left Tilted	0.19	0.05	0.24	$\Sigma$ SAR < 1.6, Not required
		Body-Worn	Front Face	0.78	0.19	0.97	$\Sigma$ SAR < 1.6, Not required
			Rear Face	0.73	0.19	0.92	$\Sigma$ SAR < 1.6, Not required
		Hotspot	Front Face	0.78	0.19	0.97	$\Sigma$ SAR < 1.6, Not required
			Rear Face	0.73	0.19	0.92	$\Sigma$ SAR < 1.6, Not required
			Left Side	0.00	0.19	0.19	$\Sigma$ SAR < 1.6, Not required
			Right Side	0.50	0.00	0.50	$\Sigma$ SAR < 1.6, Not required
			Top Side	0.00	0.00	0.00	$\Sigma$ SAR < 1.6, Not required
			Bottom Side	0.48	0.00	0.48	$\Sigma$ SAR < 1.6, Not required
6	CDMA BC1 + BT (DSS)	Body-Worn	Front Face	0.78	0.17	0.95	$\Sigma$ SAR < 1.6, Not required
			Rear Face	0.73	0.17	0.90	$\Sigma$ SAR < 1.6, Not required



# FCC SAR Test Report

A D T

No.	Conditions (SAR1 + SAR2)	Exposure Condition	Test Position	Max. SAR1	Max. SAR2	SAR Summation	SPLSR Analysis
7	LTE 4 + WLAN (DTS)	Head	Right Cheek	0.33	0.12	0.45	$\Sigma$ SAR < 1.6, Not required
			Right Tilted	0.19	0.12	0.31	$\Sigma$ SAR < 1.6, Not required
			Left Cheek	0.61	0.12	0.73	$\Sigma$ SAR < 1.6, Not required
			Left Tilted	0.22	0.12	0.34	$\Sigma$ SAR < 1.6, Not required
		Body-Worn	Front Face	0.57	0.04	0.61	$\Sigma$ SAR < 1.6, Not required
			Rear Face	0.66	0.04	0.70	$\Sigma$ SAR < 1.6, Not required
		Hotspot	Front Face	0.57	0.08	0.65	$\Sigma$ SAR < 1.6, Not required
			Rear Face	0.66	0.08	0.74	$\Sigma$ SAR < 1.6, Not required
			Left Side	0.30	0.08	0.38	$\Sigma$ SAR < 1.6, Not required
			Right Side	0.00	0.08	0.08	$\Sigma$ SAR < 1.6, Not required
			Top Side	0.00	0.08	0.08	$\Sigma$ SAR < 1.6, Not required
			Bottom Side	0.26	0.08	0.34	$\Sigma$ SAR < 1.6, Not required
8	LTE 4 + WLAN (NII)	Head	Right Cheek	0.33	0.05	0.38	$\Sigma$ SAR < 1.6, Not required
			Right Tilted	0.19	0.05	0.24	$\Sigma$ SAR < 1.6, Not required
			Left Cheek	0.61	0.05	0.66	$\Sigma$ SAR < 1.6, Not required
			Left Tilted	0.22	0.05	0.27	$\Sigma$ SAR < 1.6, Not required
		Body-Worn	Front Face	0.57	0.19	0.76	$\Sigma$ SAR < 1.6, Not required
			Rear Face	0.66	0.19	0.85	$\Sigma$ SAR < 1.6, Not required
		Hotspot	Front Face	0.57	0.19	0.76	$\Sigma$ SAR < 1.6, Not required
			Rear Face	0.66	0.19	0.85	$\Sigma$ SAR < 1.6, Not required
			Left Side	0.30	0.19	0.49	$\Sigma$ SAR < 1.6, Not required
			Right Side	0.00	0.00	0.00	$\Sigma$ SAR < 1.6, Not required
			Top Side	0.00	0.00	0.00	$\Sigma$ SAR < 1.6, Not required
			Bottom Side	0.26	0.00	0.26	$\Sigma$ SAR < 1.6, Not required
9	LTE 4 + BT (DSS)	Body-Worn	Front Face	0.57	0.17	0.74	$\Sigma$ SAR < 1.6, Not required
			Rear Face	0.66	0.17	0.83	$\Sigma$ SAR < 1.6, Not required



# FCC SAR Test Report

No.	Conditions (SAR1 + SAR2)	Exposure Condition	Test Position	Max. SAR1	Max. SAR2	SAR Summation	SPLSR Analysis
10	LTE 13 + WLAN (DTS)	Head	Right Cheek	0.33	0.12	0.45	$\Sigma$ SAR < 1.6, Not required
			Right Tilted	0.21	0.12	0.33	$\Sigma$ SAR < 1.6, Not required
			Left Cheek	0.43	0.12	0.55	$\Sigma$ SAR < 1.6, Not required
			Left Tilted	0.27	0.12	0.39	$\Sigma$ SAR < 1.6, Not required
		Body-Worn	Front Face	0.61	0.04	0.65	$\Sigma$ SAR < 1.6, Not required
			Rear Face	0.52	0.04	0.56	$\Sigma$ SAR < 1.6, Not required
		Hotspot	Front Face	0.61	0.08	0.69	$\Sigma$ SAR < 1.6, Not required
			Rear Face	0.52	0.08	0.60	$\Sigma$ SAR < 1.6, Not required
			Left Side	0.32	0.08	0.40	$\Sigma$ SAR < 1.6, Not required
			Right Side	0.00	0.08	0.08	$\Sigma$ SAR < 1.6, Not required
			Top Side	0.00	0.08	0.08	$\Sigma$ SAR < 1.6, Not required
			Bottom Side	0.16	0.08	0.24	$\Sigma$ SAR < 1.6, Not required
11	LTE 13 + WLAN (NII)	Head	Right Cheek	0.33	0.05	0.38	$\Sigma$ SAR < 1.6, Not required
			Right Tilted	0.21	0.05	0.26	$\Sigma$ SAR < 1.6, Not required
			Left Cheek	0.43	0.05	0.48	$\Sigma$ SAR < 1.6, Not required
			Left Tilted	0.27	0.05	0.32	$\Sigma$ SAR < 1.6, Not required
		Body-Worn	Front Face	0.61	0.19	0.80	$\Sigma$ SAR < 1.6, Not required
			Rear Face	0.52	0.19	0.71	$\Sigma$ SAR < 1.6, Not required
		Hotspot	Front Face	0.61	0.19	0.80	$\Sigma$ SAR < 1.6, Not required
			Rear Face	0.52	0.19	0.71	$\Sigma$ SAR < 1.6, Not required
			Left Side	0.32	0.19	0.51	$\Sigma$ SAR < 1.6, Not required
			Right Side	0.00	0.00	0.00	$\Sigma$ SAR < 1.6, Not required
			Top Side	0.00	0.00	0.00	$\Sigma$ SAR < 1.6, Not required
			Bottom Side	0.16	0.00	0.16	$\Sigma$ SAR < 1.6, Not required
12	LTE 13 + BT (DSS)	Body-Worn	Front Face	0.61	0.17	0.78	$\Sigma$ SAR < 1.6, Not required
			Rear Face	0.52	0.17	0.69	$\Sigma$ SAR < 1.6, Not required



# FCC SAR Test Report

A D T

No.	Conditions (SAR1 + SAR2 + SAR3)	Exposure Condition	Test Position	Max. SAR1	Max. SAR2	Max. SAR3	SAR Summation	SPLSR Analysis
13	CDMA BC0 + LTE 4 + WLAN (DTS)	Head	Right Cheek	0.35	0.33	0.12	0.80	$\Sigma$ SAR < 1.6, Not required
			Right Tilted	0.30	0.19	0.12	0.61	$\Sigma$ SAR < 1.6, Not required
			Left Cheek	0.38	0.61	0.12	1.11	$\Sigma$ SAR < 1.6, Not required
			Left Tilted	0.26	0.22	0.12	0.60	$\Sigma$ SAR < 1.6, Not required
		Body-Worn	Front Face	0.47	0.57	0.04	1.08	$\Sigma$ SAR < 1.6, Not required
			Rear Face	0.38	0.66	0.04	1.08	$\Sigma$ SAR < 1.6, Not required
		Hotspot	Front Face	0.47	0.57	0.08	1.12	$\Sigma$ SAR < 1.6, Not required
			Rear Face	0.38	0.66	0.08	1.12	$\Sigma$ SAR < 1.6, Not required
			Left Side	0.00	0.30	0.08	0.38	$\Sigma$ SAR < 1.6, Not required
			Right Side	0.54	0.00	0.08	0.62	$\Sigma$ SAR < 1.6, Not required
			Top Side	0.00	0.00	0.08	0.08	$\Sigma$ SAR < 1.6, Not required
			Bottom Side	0.08	0.26	0.08	0.42	$\Sigma$ SAR < 1.6, Not required
14	CDMA BC0 + LTE 4 + WLAN (NII)	Head	Right Cheek	0.35	0.33	0.05	0.73	$\Sigma$ SAR < 1.6, Not required
			Right Tilted	0.30	0.19	0.05	0.54	$\Sigma$ SAR < 1.6, Not required
			Left Cheek	0.38	0.61	0.05	1.04	$\Sigma$ SAR < 1.6, Not required
			Left Tilted	0.26	0.22	0.05	0.53	$\Sigma$ SAR < 1.6, Not required
		Body-Worn	Front Face	0.47	0.57	0.19	1.23	$\Sigma$ SAR < 1.6, Not required
			Rear Face	0.38	0.66	0.19	1.23	$\Sigma$ SAR < 1.6, Not required
		Hotspot	Front Face	0.47	0.57	0.19	1.23	$\Sigma$ SAR < 1.6, Not required
			Rear Face	0.38	0.66	0.19	1.23	$\Sigma$ SAR < 1.6, Not required
			Left Side	0.00	0.30	0.19	0.49	$\Sigma$ SAR < 1.6, Not required
			Right Side	0.54	0.00	0.00	0.54	$\Sigma$ SAR < 1.6, Not required
			Top Side	0.00	0.00	0.00	0.00	$\Sigma$ SAR < 1.6, Not required
			Bottom Side	0.08	0.26	0.00	0.34	$\Sigma$ SAR < 1.6, Not required
15	CDMA BC0 + LTE 4 + BT (DSS)	Body-Worn	Front Face	0.47	0.57	0.17	1.21	$\Sigma$ SAR < 1.6, Not required
			Rear Face	0.38	0.66	0.17	1.21	$\Sigma$ SAR < 1.6, Not required



# FCC SAR Test Report

A D T

No.	Conditions (SAR1 + SAR2 + SAR3)	Exposure Condition	Test Position	Max. SAR1	Max. SAR2	Max. SAR3	SAR Summation	SPLSR Analysis
16	CDMA BC1 + LTE 4 + WLAN (DTS)	Head	Right Cheek	0.30	0.33	0.12	0.75	$\Sigma$ SAR < 1.6, Not required
			Right Tilted	0.22	0.19	0.12	0.53	$\Sigma$ SAR < 1.6, Not required
			Left Cheek	0.57	0.61	0.12	1.30	$\Sigma$ SAR < 1.6, Not required
			Left Tilted	0.19	0.22	0.12	0.53	$\Sigma$ SAR < 1.6, Not required
		Body-Worn	Front Face	0.78	0.57	0.04	1.39	$\Sigma$ SAR < 1.6, Not required
			Rear Face	0.73	0.66	0.04	1.43	$\Sigma$ SAR < 1.6, Not required
		Hotspot	Front Face	0.78	0.57	0.08	1.43	$\Sigma$ SAR < 1.6, Not required
			Rear Face	0.73	0.66	0.08	1.47	$\Sigma$ SAR < 1.6, Not required
			Left Side	0.00	0.30	0.08	0.38	$\Sigma$ SAR < 1.6, Not required
			Right Side	0.50	0.00	0.08	0.58	$\Sigma$ SAR < 1.6, Not required
			Top Side	0.00	0.00	0.08	0.08	$\Sigma$ SAR < 1.6, Not required
			Bottom Side	0.48	0.26	0.08	0.82	$\Sigma$ SAR < 1.6, Not required
17	CDMA BC1 + LTE 4 + WLAN (NII)	Head	Right Cheek	0.30	0.33	0.05	0.68	$\Sigma$ SAR < 1.6, Not required
			Right Tilted	0.22	0.19	0.05	0.46	$\Sigma$ SAR < 1.6, Not required
			Left Cheek	0.57	0.61	0.05	1.23	$\Sigma$ SAR < 1.6, Not required
			Left Tilted	0.19	0.22	0.05	0.46	$\Sigma$ SAR < 1.6, Not required
		Body-Worn	Front Face	0.78	0.57	0.19	1.54	$\Sigma$ SAR < 1.6, Not required
			Rear Face	0.73	0.66	0.19	1.58	$\Sigma$ SAR < 1.6, Not required
		Hotspot	Front Face	0.78	0.57	0.19	1.54	$\Sigma$ SAR < 1.6, Not required
			Rear Face	0.73	0.66	0.19	1.58	$\Sigma$ SAR < 1.6, Not required
			Left Side	0.00	0.30	0.19	0.49	$\Sigma$ SAR < 1.6, Not required
			Right Side	0.50	0.00	0.00	0.50	$\Sigma$ SAR < 1.6, Not required
			Top Side	0.00	0.00	0.00	0.00	$\Sigma$ SAR < 1.6, Not required
			Bottom Side	0.48	0.26	0.00	0.74	$\Sigma$ SAR < 1.6, Not required
18	CDMA BC1 + LTE 4 + BT (DSS)	Body-Worn	Front Face	0.78	0.57	0.17	1.52	$\Sigma$ SAR < 1.6, Not required
			Rear Face	0.73	0.66	0.17	1.56	$\Sigma$ SAR < 1.6, Not required



# FCC SAR Test Report

A D T

No.	Conditions (SAR1 + SAR2 + SAR3)	Exposure Condition	Test Position	Max. SAR1	Max. SAR2	Max. SAR3	SAR Summation	SPLSR Analysis
19	CDMA BC0 + LTE 13 + WLAN (DTS)	Head	Right Cheek	0.35	0.33	0.12	0.80	$\Sigma$ SAR < 1.6, Not required
			Right Tilted	0.30	0.21	0.12	0.63	$\Sigma$ SAR < 1.6, Not required
			Left Cheek	0.38	0.43	0.12	0.93	$\Sigma$ SAR < 1.6, Not required
			Left Tilted	0.26	0.27	0.12	0.65	$\Sigma$ SAR < 1.6, Not required
		Body-Worn	Front Face	0.47	0.61	0.04	1.12	$\Sigma$ SAR < 1.6, Not required
			Rear Face	0.38	0.52	0.04	0.94	$\Sigma$ SAR < 1.6, Not required
		Hotspot	Front Face	0.47	0.61	0.08	1.16	$\Sigma$ SAR < 1.6, Not required
			Rear Face	0.38	0.52	0.08	0.98	$\Sigma$ SAR < 1.6, Not required
			Left Side	0.00	0.32	0.08	0.40	$\Sigma$ SAR < 1.6, Not required
			Right Side	0.54	0.00	0.08	0.62	$\Sigma$ SAR < 1.6, Not required
			Top Side	0.00	0.00	0.08	0.08	$\Sigma$ SAR < 1.6, Not required
			Bottom Side	0.08	0.16	0.08	0.32	$\Sigma$ SAR < 1.6, Not required
20	CDMA BC0 + LTE 13 + WLAN (NII)	Head	Right Cheek	0.35	0.33	0.05	0.73	$\Sigma$ SAR < 1.6, Not required
			Right Tilted	0.30	0.21	0.05	0.56	$\Sigma$ SAR < 1.6, Not required
			Left Cheek	0.38	0.43	0.05	0.86	$\Sigma$ SAR < 1.6, Not required
			Left Tilted	0.26	0.27	0.05	0.58	$\Sigma$ SAR < 1.6, Not required
		Body-Worn	Front Face	0.47	0.61	0.19	1.27	$\Sigma$ SAR < 1.6, Not required
			Rear Face	0.38	0.52	0.19	1.09	$\Sigma$ SAR < 1.6, Not required
		Hotspot	Front Face	0.47	0.61	0.19	1.27	$\Sigma$ SAR < 1.6, Not required
			Rear Face	0.38	0.52	0.19	1.09	$\Sigma$ SAR < 1.6, Not required
			Left Side	0.00	0.32	0.19	0.51	$\Sigma$ SAR < 1.6, Not required
			Right Side	0.54	0.00	0.00	0.54	$\Sigma$ SAR < 1.6, Not required
			Top Side	0.00	0.00	0.00	0.00	$\Sigma$ SAR < 1.6, Not required
			Bottom Side	0.08	0.16	0.00	0.24	$\Sigma$ SAR < 1.6, Not required
21	CDMA BC0 + LTE 13 + BT (DSS)	Body-Worn	Front Face	0.47	0.61	0.17	1.25	$\Sigma$ SAR < 1.6, Not required
			Rear Face	0.38	0.52	0.17	1.07	$\Sigma$ SAR < 1.6, Not required



# FCC SAR Test Report

No.	Conditions (SAR1 + SAR2 + SAR3)	Exposure Condition	Test Position	Max. SAR1	Max. SAR2	Max. SAR3	SAR Summation	SPLSR Analysis
22	CDMA BC1 + LTE 13 + WLAN (DTS)	Head	Right Cheek	0.30	0.33	0.12	0.75	$\Sigma$ SAR < 1.6, Not required
			Right Tilted	0.22	0.21	0.12	0.55	$\Sigma$ SAR < 1.6, Not required
			Left Cheek	0.57	0.43	0.12	1.12	$\Sigma$ SAR < 1.6, Not required
			Left Tilted	0.19	0.27	0.12	0.58	$\Sigma$ SAR < 1.6, Not required
		Body-Worn	Front Face	0.78	0.61	0.04	1.43	$\Sigma$ SAR < 1.6, Not required
			Rear Face	0.73	0.52	0.04	1.29	$\Sigma$ SAR < 1.6, Not required
		Hotspot	Front Face	0.78	0.61	0.08	1.47	$\Sigma$ SAR < 1.6, Not required
			Rear Face	0.73	0.52	0.08	1.33	$\Sigma$ SAR < 1.6, Not required
			Left Side	0.00	0.32	0.08	0.40	$\Sigma$ SAR < 1.6, Not required
			Right Side	0.50	0.00	0.08	0.58	$\Sigma$ SAR < 1.6, Not required
			Top Side	0.00	0.00	0.08	0.08	$\Sigma$ SAR < 1.6, Not required
			Bottom Side	0.48	0.16	0.08	0.72	$\Sigma$ SAR < 1.6, Not required
23	CDMA BC1 + LTE 13 + WLAN (NII)	Head	Right Cheek	0.30	0.33	0.05	0.68	$\Sigma$ SAR < 1.6, Not required
			Right Tilted	0.22	0.21	0.05	0.48	$\Sigma$ SAR < 1.6, Not required
			Left Cheek	0.57	0.43	0.05	1.05	$\Sigma$ SAR < 1.6, Not required
			Left Tilted	0.19	0.27	0.05	0.51	$\Sigma$ SAR < 1.6, Not required
		Body-Worn	Front Face	0.78	0.61	0.19	1.58	$\Sigma$ SAR < 1.6, Not required
			Rear Face	0.73	0.52	0.19	1.44	$\Sigma$ SAR < 1.6, Not required
		Hotspot	Front Face	0.78	0.61	0.19	1.58	$\Sigma$ SAR < 1.6, Not required
			Rear Face	0.73	0.52	0.19	1.44	$\Sigma$ SAR < 1.6, Not required
			Left Side	0.00	0.32	0.19	0.51	$\Sigma$ SAR < 1.6, Not required
			Right Side	0.50	0.00	0.00	0.50	$\Sigma$ SAR < 1.6, Not required
			Top Side	0.00	0.00	0.00	0.00	$\Sigma$ SAR < 1.6, Not required
			Bottom Side	0.48	0.16	0.00	0.64	$\Sigma$ SAR < 1.6, Not required
24	CDMA BC1 + LTE 13 + BT (DSS)	Body-Worn	Front Face	0.78	0.61	0.17	1.56	$\Sigma$ SAR < 1.6, Not required
			Rear Face	0.73	0.52	0.17	1.42	$\Sigma$ SAR < 1.6, Not required

Test Engineer : Mars Chang, and Kevin Yao



## 5. Calibration of Test Equipment

Equipment	Manufacturer	Model	SN	Cal. Date	Cal. Interval
System Validation Dipole	SPEAG	D750V3	1013	Aug. 28, 2014	2 Years
System Validation Dipole	SPEAG	D835V2	4d121	Aug. 28, 2014	2 Years
System Validation Dipole	SPEAG	D1750V2	1055	Aug. 28, 2014	2 Years
System Validation Dipole	SPEAG	D1900V2	5d036	Jan. 26, 2015	2 Years
System Validation Dipole	SPEAG	D2450V2	737	Aug. 21, 2014	2 Years
System Validation Dipole	SPEAG	D5GHzV2	1019	Aug. 25, 2014	2 Years
Dosimetric E-Field Probe	SPEAG	EX3DV4	3820	May. 15, 2014	1 Year
Dosimetric E-Field Probe	SPEAG	EX3DV4	3864	Jul. 25, 2014	1 Year
Dosimetric E-Field Probe	SPEAG	EX3DV4	3650	Jul. 28, 2014	1 Year
Data Acquisition Electronics	SPEAG	DAE3	510	Aug. 26, 2014	1 Year
Data Acquisition Electronics	SPEAG	DAE4	1277	Jul. 22, 2014	1 Year
Data Acquisition Electronics	SPEAG	DAE4	913	Dec. 15, 2014	1 Year
Universal Radio Communication Tester	R&S	CMU200	104484	Mar. 11, 2015	1 Year
Radio Communication Analyzer	Anritsu	MT8802C	6201381727	May. 15, 2014	1 Year
ENA Series Network Analyzer	Agilent	E5071C	MY46214281	Jun. 13, 2014	1 Year
EXA Spectrum Analyzer	Agilent	N9010A	MY53470455	Feb. 26, 2015	1 Year
MXG Analog Signal Generator	Agilent	N5181A	MY50143868	Jun. 26, 2014	1 Year
Power Meter	Anritsu	ML2495A	1218009	Jun. 26, 2014	1 Year
Power Sensor	Anritsu	MA2411B	1207252	Jun. 26, 2014	1 Year
Thermometer	YFE	YF-160A	130504579	Aug. 21, 2014	1 Year



## 6. Measurement Uncertainty

Error Description	Uncertainty Value (±%)	Probability Distribution	Divisor	Ci (1g)	Standard Uncertainty (1g)	Vi
<b>Measurement System</b>						
Probe Calibration	6.0	Normal	1	1	± 6.0 %	∞
Axial Isotropy	4.7	Rectangular	√3	0.7	± 1.9 %	∞
Hemispherical Isotropy	9.6	Rectangular	√3	0.7	± 3.9 %	∞
Boundary Effects	1.0	Rectangular	√3	1	± 0.6 %	∞
Linearity	4.7	Rectangular	√3	1	± 2.7 %	∞
System Detection Limits	1.0	Rectangular	√3	1	± 0.6 %	∞
Readout Electronics	0.6	Normal	1	1	± 0.6 %	∞
Response Time	0.0	Rectangular	√3	1	± 0.0 %	∞
Integration Time	1.7	Rectangular	√3	1	± 1.0 %	∞
RF Ambient Noise	3.0	Rectangular	√3	1	± 1.7 %	∞
RF Ambient Reflections	3.0	Rectangular	√3	1	± 1.7 %	∞
Probe Positioner	0.5	Rectangular	√3	1	± 0.3 %	∞
Probe Positioning	2.9	Rectangular	√3	1	± 1.7 %	∞
Max. SAR Eval.	2.3	Rectangular	√3	1	± 1.3 %	∞
<b>Test Sample Related</b>						
Device Positioning	3.9	Normal	1	1	± 3.9 %	31
Device Holder	2.7	Normal	1	1	± 2.7 %	19
Power Drift	5.0	Rectangular	√3	1	± 2.9 %	∞
<b>Phantom and Setup</b>						
Phantom Uncertainty	4.0	Rectangular	√3	1	± 2.3 %	∞
Liquid Conductivity (Target)	5.0	Rectangular	√3	0.64	± 1.8 %	∞
Liquid Conductivity (Meas.)	5.0	Normal	1	0.64	± 3.2 %	29
Liquid Permittivity (Target)	5.0	Rectangular	√3	0.6	± 1.7 %	∞
Liquid Permittivity (Meas.)	5.0	Normal	1	0.6	± 3.0 %	29
<b>Combined Standard Uncertainty</b>					± 11.7 %	
<b>Expanded Uncertainty (K=2)</b>					<b>± 23.4 %</b>	

Uncertainty budget for frequency range 300 MHz to 3 GHz



# FCC SAR Test Report

A D T

Error Description	Uncertainty Value (±%)	Probability Distribution	Divisor	Ci (1g)	Standard Uncertainty (1g)	Vi
<b>Measurement System</b>						
Probe Calibration	6.55	Normal	1	1	± 6.55 %	∞
Axial Isotropy	4.7	Rectangular	√3	0.7	± 1.9 %	∞
Hemispherical Isotropy	9.6	Rectangular	√3	0.7	± 3.9 %	∞
Boundary Effects	2.0	Rectangular	√3	1	± 1.2 %	∞
Linearity	4.7	Rectangular	√3	1	± 2.7 %	∞
System Detection Limits	1.0	Rectangular	√3	1	± 0.6 %	∞
Readout Electronics	0.3	Normal	1	1	± 0.3 %	∞
Response Time	0.8	Rectangular	√3	1	± 0.5 %	∞
Integration Time	2.6	Rectangular	√3	1	± 1.5 %	∞
RF Ambient Noise	3.0	Rectangular	√3	1	± 1.7 %	∞
RF Ambient Reflections	3.0	Rectangular	√3	1	± 1.7 %	∞
Probe Positioner	0.8	Rectangular	√3	1	± 0.5 %	∞
Probe Positioning	9.9	Rectangular	√3	1	± 5.7 %	∞
Max. SAR Eval.	4.0	Rectangular	√3	1	± 2.3 %	∞
<b>Test Sample Related</b>						
Device Positioning	3.9	Normal	1	1	± 3.9 %	31
Device Holder	2.7	Normal	1	1	± 2.7 %	19
Power Drift	5.0	Rectangular	√3	1	± 2.9 %	∞
<b>Phantom and Setup</b>						
Phantom Uncertainty	4.0	Rectangular	√3	1	± 2.3 %	∞
Liquid Conductivity (Target)	5.0	Rectangular	√3	0.64	± 1.8 %	∞
Liquid Conductivity (Meas.)	5.0	Normal	1	0.64	± 3.2 %	30
Liquid Permittivity (Target)	5.0	Rectangular	√3	0.6	± 1.7 %	∞
Liquid Permittivity (Meas.)	5.0	Normal	1	0.6	± 3.0 %	30
<b>Combined Standard Uncertainty</b>					± 13.4 %	
<b>Expanded Uncertainty (K=2)</b>					± 26.8 %	

Uncertainty budget for frequency range 3 GHz to 6 GHz



## FCC SAR Test Report

---

### **7. Information on the Testing Laboratories**

We, Bureau Veritas Consumer Products Services (H.K.) Ltd., Taoyuan Branch, were founded in 1988 to provide our best service in EMC, Radio, Telecom and Safety consultation. Our laboratories are accredited and approved according to ISO/IEC 17025.

If you have any comments, please feel free to contact us at the following:

**Taiwan HwaYa EMC/RF/Safety/Telecom Lab:**

Add: No. 19, Hwa Ya 2nd Rd, Wen Hwa Vil., Kwei Shan Hsiang, Taoyuan Hsien 333, Taiwan, R.O.C.

Tel: 886-3-318-3232

Fax: 886-3-327-0892

**Taiwan LinKo EMC/RF Lab:**

Add: No. 47-2, 14th Ling, Chia Pau Vil., Linkou Dist., New Taipei City 244, Taiwan, R.O.C.

Tel: 886-2-2605-2180

Fax: 886-2-2605-1924

**Taiwan HsinChu EMC/RF Lab:**

Add: No. 81-1, Lu Liao Keng, 9<sup>th</sup> Ling, Wu Lung Vil., Chiung Lin Township, Hsinchu County 307, Taiwan, R.O.C.

Tel: 886-3-593-5343

Fax: 886-3-593-5342

**Email:** [service.adt@tw.bureauveritas.com](mailto:service.adt@tw.bureauveritas.com)

**Web Site:** [www.adt.com.tw](http://www.adt.com.tw)

The road map of all our labs can be found in our web site also.

---END---



## **Appendix A. SAR Plots of System Verification**

The plots for system verification with largest deviation for each SAR system combination are shown as follows.

### System Check\_H750\_150403

**DUT: Dipole 750 MHz; Type: D750V3; SN: 1013**

Communication System: CW; Frequency: 750 MHz; Duty Cycle: 1:1

Medium: H07T08N1\_0403 Medium parameters used:  $f = 750 \text{ MHz}$ ;  $\sigma = 0.894 \text{ S/m}$ ;  $\epsilon_r = 40.229$ ;  $\rho = 1000 \text{ kg/m}^3$

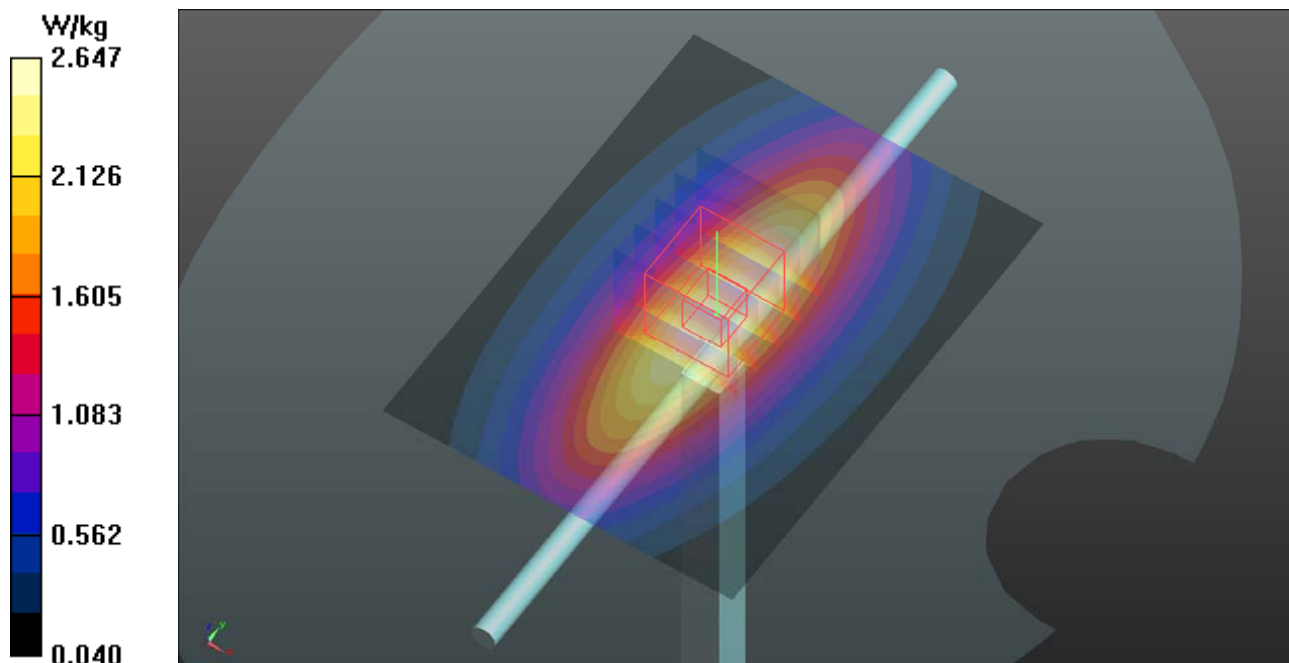
Ambient Temperature : 22.5 °C ; Liquid Temperature : 21.5 °C

DASY5 Configuration:

- Probe: EX3DV4 - SN3864; ConvF(10.44, 10.44, 10.44); Calibrated: 2014/07/25;
- Sensor-Surface: 2mm (Mechanical Surface Detection)
- Electronics: DAE3 Sn510; Calibrated: 2014/08/26
- Phantom: Twin SAM Phantom\_1652; Type: QD000P40;
- Measurement SW: DASY52, Version 52.8 (8); SEMCAD X Version 14.6.10 (7331)

**Pin=250mW/Area Scan (61x81x1):** Interpolated grid:  $dx=1.500 \text{ mm}$ ,  $dy=1.500 \text{ mm}$   
Maximum value of SAR (interpolated) = 2.65 W/kg

**Pin=250mW/Zoom Scan (5x5x7)/Cube 0:** Measurement grid:  $dx=8\text{mm}$ ,  $dy=8\text{mm}$ ,  $dz=5\text{mm}$   
Reference Value = 55.25 V/m; Power Drift = -0.01 dB  
Peak SAR (extrapolated) = 3.09 W/kg  
**SAR(1 g) = 2.1 W/kg; SAR(10 g) = 1.41 W/kg**  
Maximum value of SAR (measured) = 2.64 W/kg



## System Check\_H835\_150403

**DUT: Dipole 835 MHz; Type: D835V2; SN: 4d121**

Communication System: CW; Frequency: 835 MHz; Duty Cycle: 1:1

Medium: H08T09N1\_0403 Medium parameters used:  $f = 835 \text{ MHz}$ ;  $\sigma = 0.918 \text{ S/m}$ ;  $\epsilon_r = 42.883$ ;  $\rho = 1000 \text{ kg/m}^3$

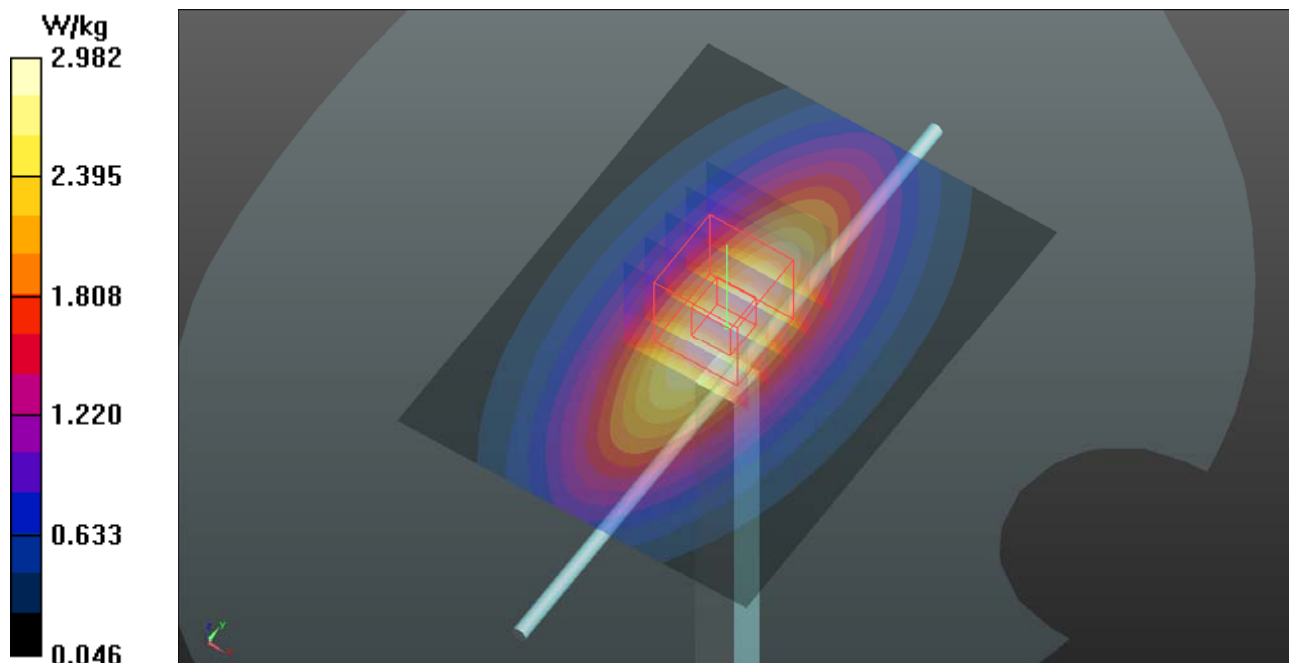
Ambient Temperature : 22.3 °C ; Liquid Temperature : 21.5 °C

DASY5 Configuration:

- Probe: EX3DV4 - SN3864; ConvF(10.03, 10.03, 10.03); Calibrated: 2014/07/25;
- Sensor-Surface: 2mm (Mechanical Surface Detection)
- Electronics: DAE3 Sn510; Calibrated: 2014/08/26
- Phantom: Twin SAM Phantom\_1652; Type: QD000P40;
- Measurement SW: DASY52, Version 52.8 (8); SEMCAD X Version 14.6.10 (7331)

**Pin=250mW/Area Scan (61x81x1):** Interpolated grid:  $dx=1.500 \text{ mm}$ ,  $dy=1.500 \text{ mm}$   
 Maximum value of SAR (interpolated) = 2.98 W/kg

**Pin=250mW/Zoom Scan (5x5x7)/Cube 0:** Measurement grid:  $dx=8\text{mm}$ ,  $dy=8\text{mm}$ ,  $dz=5\text{mm}$   
 Reference Value = 57.76 V/m; Power Drift = 0.06 dB  
 Peak SAR (extrapolated) = 3.63 W/kg  
**SAR(1 g) = 2.39 W/kg; SAR(10 g) = 1.56 W/kg**  
 Maximum value of SAR (measured) = 3.04 W/kg



### System Check\_H1750\_150403

**DUT: Dipole 1750 MHz; Type: D1750V2; SN: 1055**

Communication System: CW; Frequency: 1750 MHz; Duty Cycle: 1:1

Medium: H17T18N1\_0403 Medium parameters used:  $f = 1750$  MHz;  $\sigma = 1.34$  S/m;  $\epsilon_r = 38.677$ ;  $\rho = 1000$  kg/m<sup>3</sup>

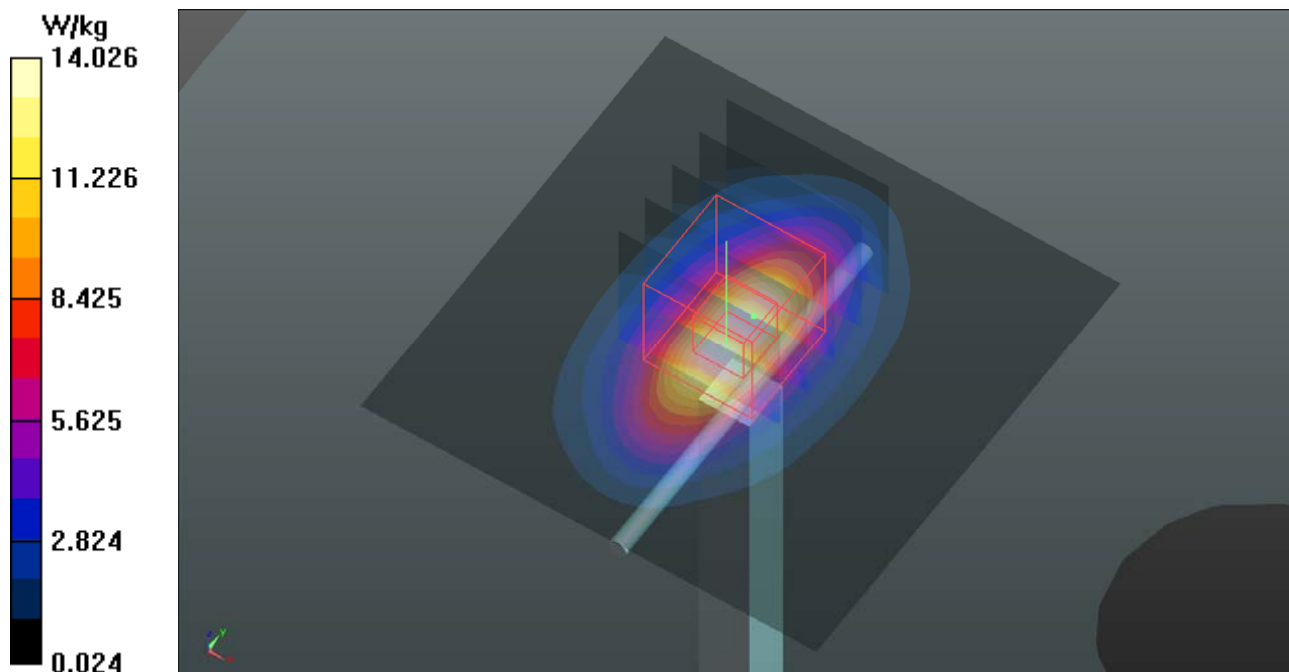
Ambient Temperature : 22.2 °C ; Liquid Temperature : 21.5 °C

DASY5 Configuration:

- Probe: EX3DV4 - SN3864; ConvF(8.39, 8.39, 8.39); Calibrated: 2014/07/25;
- Sensor-Surface: 2mm (Mechanical Surface Detection)
- Electronics: DAE3 Sn510; Calibrated: 2014/08/26
- Phantom: Twin SAM Phantom\_1653; Type: QD000P40;
- Measurement SW: DASY52, Version 52.8 (8); SEMCAD X Version 14.6.10 (7331)

**Pin=250mW/Area Scan (61x61x1):** Interpolated grid: dx=1.500 mm, dy=1.500 mm  
Maximum value of SAR (interpolated) = 14.0 W/kg

**Pin=250mW/Zoom Scan (5x5x7)/Cube 0:** Measurement grid: dx=8mm, dy=8mm, dz=5mm  
Reference Value = 101.1 V/m; Power Drift = 0.12 dB  
Peak SAR (extrapolated) = 16.8 W/kg  
**SAR(1 g) = 9.53 W/kg; SAR(10 g) = 5.15 W/kg**  
Maximum value of SAR (measured) = 13.3 W/kg



### System Check\_H1900\_150404

**DUT: Dipole 1900 MHz; Type: D1900V2; SN: 5d036**

Communication System: CW; Frequency: 1900 MHz; Duty Cycle: 1:1

Medium: H18T19N1\_0404 Medium parameters used:  $f = 1900$  MHz;  $\sigma = 1.405$  S/m;  $\epsilon_r = 39.67$ ;  $\rho = 1000$  kg/m<sup>3</sup>

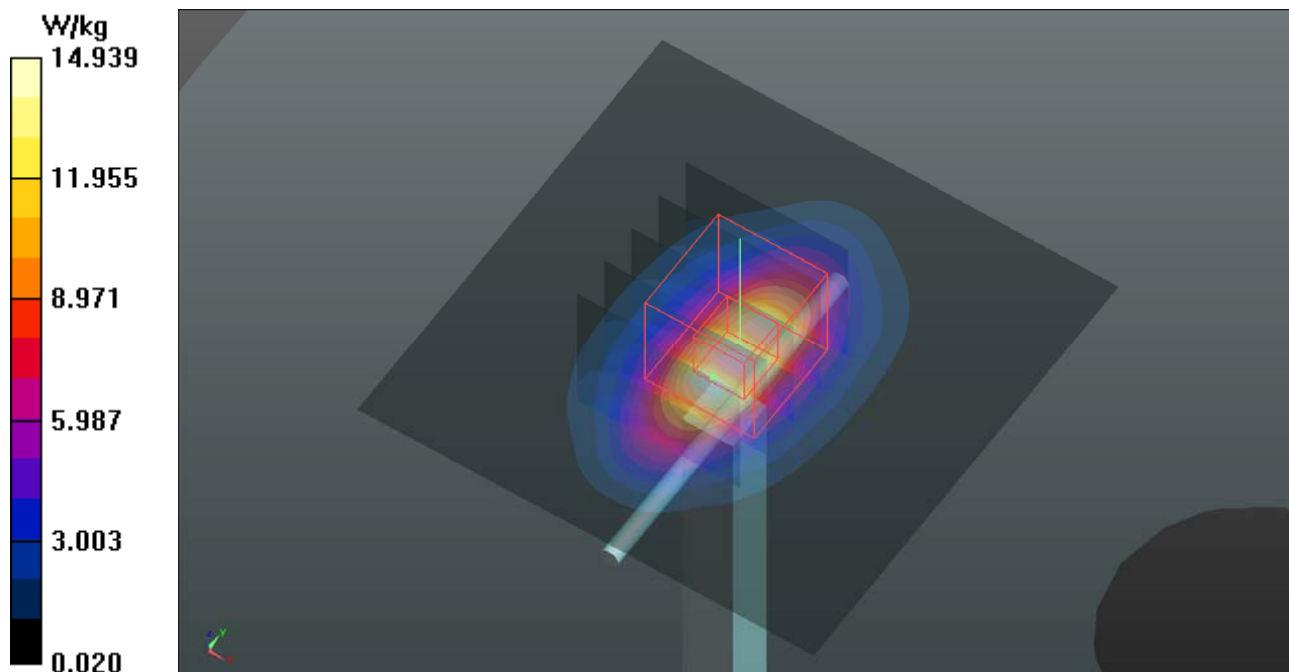
Ambient Temperature : 22.4 °C ; Liquid Temperature : 21.5 °C

DASY5 Configuration:

- Probe: EX3DV4 - SN3864; ConvF(8.1, 8.1, 8.1); Calibrated: 2014/07/25;
- Sensor-Surface: 2mm (Mechanical Surface Detection)
- Electronics: DAE3 Sn510; Calibrated: 2014/08/26
- Phantom: Twin SAM Phantom\_1653; Type: QD000P40;
- Measurement SW: DASY52, Version 52.8 (8); SEMCAD X Version 14.6.10 (7331)

**Pin=250mW/Area Scan (61x61x1):** Interpolated grid: dx=1.500 mm, dy=1.500 mm  
Maximum value of SAR (interpolated) = 14.9 W/kg

**Pin=250mW/Zoom Scan (5x5x7)/Cube 0:** Measurement grid: dx=8mm, dy=8mm, dz=5mm  
Reference Value = 100.9 V/m; Power Drift = -0.07 dB  
Peak SAR (extrapolated) = 17.8 W/kg  
**SAR(1 g) = 9.74 W/kg; SAR(10 g) = 5.06 W/kg**  
Maximum value of SAR (measured) = 13.8 W/kg





## System Check\_H2450\_150331

**DUT: Dipole 2450 MHz; Type: D2450V2; SN: 737**

Communication System: CW; Frequency: 2450 MHz; Duty Cycle: 1:1

Medium: H24T25N2\_0331 Medium parameters used:  $f = 2450$  MHz;  $\sigma = 1.817$  S/m;  $\epsilon_r = 39.946$ ;  $\rho = 1000$  kg/m<sup>3</sup>

Ambient Temperature : 21.9 °C; Liquid Temperature : 21.4 °C

DASY5 Configuration:

- Probe: EX3DV4 - SN3820; ConvF(6.85, 6.85, 6.85); Calibrated: 2014/05/15;
- Sensor-Surface: 2mm (Mechanical Surface Detection)
- Electronics: DAE4 Sn913; Calibrated: 2014/12/15
- Phantom: Twin SAM Phantom\_1823; Type: QD000P40CD;
- Measurement SW: DASY52, Version 52.8 (8); SEMCAD X Version 14.6.10 (7331)

**Pin=250mW/Area Scan (81x81x1):** Interpolated grid: dx=1.200 mm, dy=1.200 mm

Maximum value of SAR (interpolated) = 19.4 W/kg

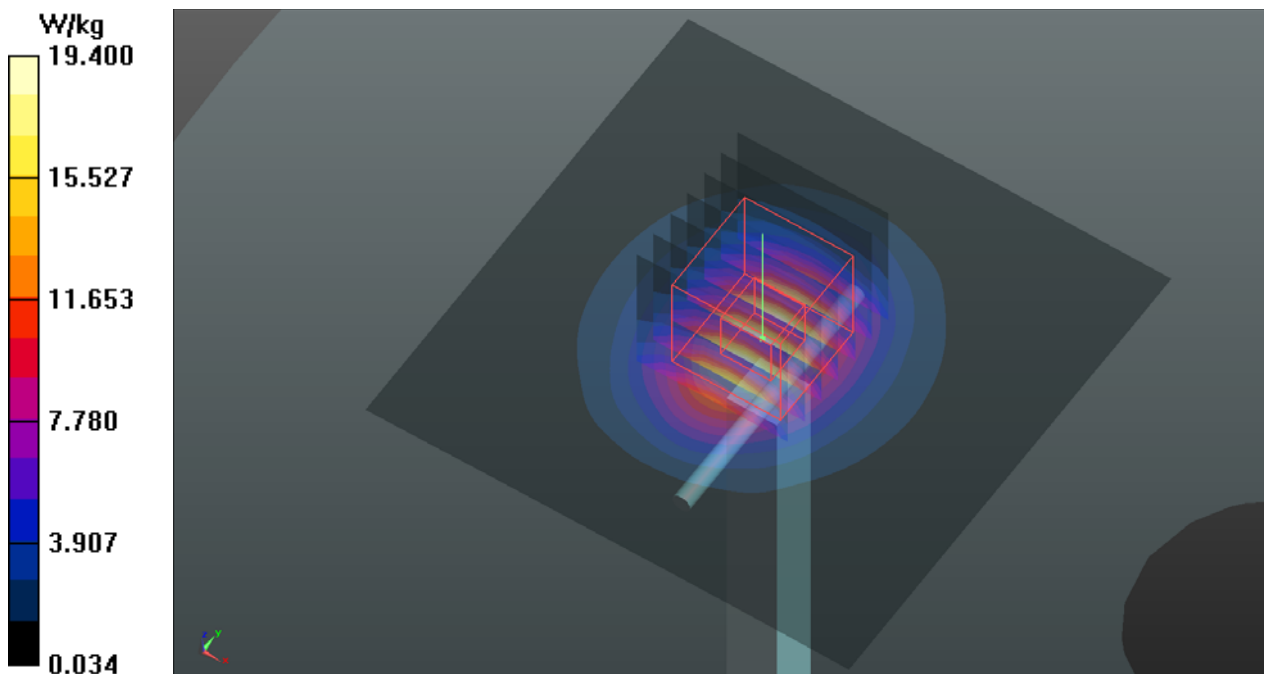
**Pin=250mW/Zoom Scan (7x7x7)/Cube 0:** Measurement grid: dx=5mm, dy=5mm, dz=5mm

Reference Value = 104.8 V/m; Power Drift = 0.01 dB

Peak SAR (extrapolated) = 25.9 W/kg

**SAR(1 g) = 13.1 W/kg; SAR(10 g) = 6.49 W/kg**

Maximum value of SAR (measured) = 19.5 W/kg



## System Check\_H5300\_150415

**DUT: Dipole 5 GHz; Type: D5GHzV2; SN: 1019**

Communication System: CW; Frequency: 5300 MHz; Duty Cycle: 1:1

Medium: H50T60N2\_0415 Medium parameters used:  $f = 5300$  MHz;  $\sigma = 4.674$  S/m;  $\epsilon_r = 35.74$ ;  $\rho = 1000$  kg/m<sup>3</sup>

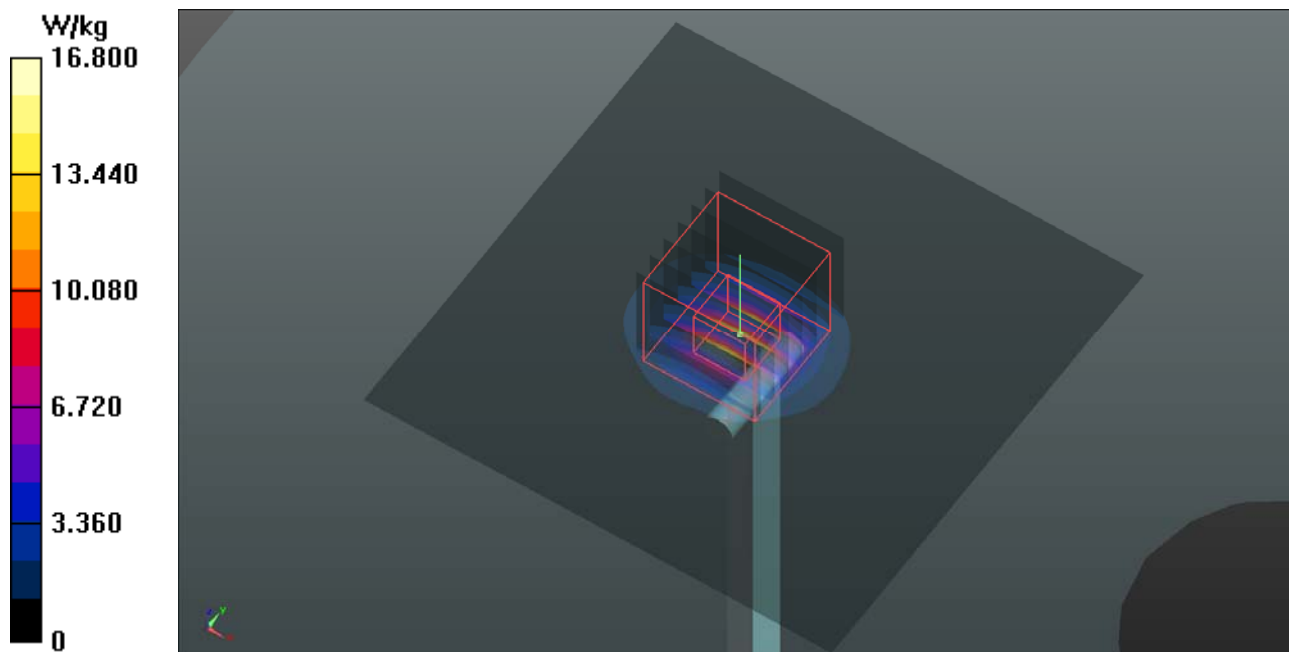
Ambient Temperature : 22.0 °C ; Liquid Temperature : 21.1 °C

DASY5 Configuration:

- Probe: EX3DV4 - SN3864; ConvF(5.03, 5.03, 5.03); Calibrated: 2014/07/25;
- Sensor-Surface: 2mm (Mechanical Surface Detection)
- Electronics: DAE3 Sn510; Calibrated: 2014/08/26
- Phantom: Twin SAM Phantom\_1652; Type: QD000P40;
- Measurement SW: DASY52, Version 52.8 (8); SEMCAD X Version 14.6.10 (7331)

**Pin=100mW/Area Scan (91x91x1):** Interpolated grid: dx=1.000 mm, dy=1.000 mm  
Maximum value of SAR (interpolated) = 16.8 W/kg

**Pin=100mW/Zoom Scan (7x7x12)/Cube 0:** Measurement grid: dx=4mm, dy=4mm, dz=2mm  
Reference Value = 60.38 V/m; Power Drift = 0.09 dB  
Peak SAR (extrapolated) = 33.7 W/kg  
**SAR(1 g) = 7.9 W/kg; SAR(10 g) = 2.25 W/kg**  
Maximum value of SAR (measured) = 16.0 W/kg



### System Check\_H5600\_150415

**DUT: Dipole 5 GHz; Type: D5GHzV2; SN: 1019**

Communication System: CW; Frequency: 5600 MHz; Duty Cycle: 1:1

Medium: H50T60N2\_0415 Medium parameters used:  $f = 5600$  MHz;  $\sigma = 4.866$  S/m;  $\epsilon_r = 35.408$ ;  $\rho = 1000$  kg/m<sup>3</sup>

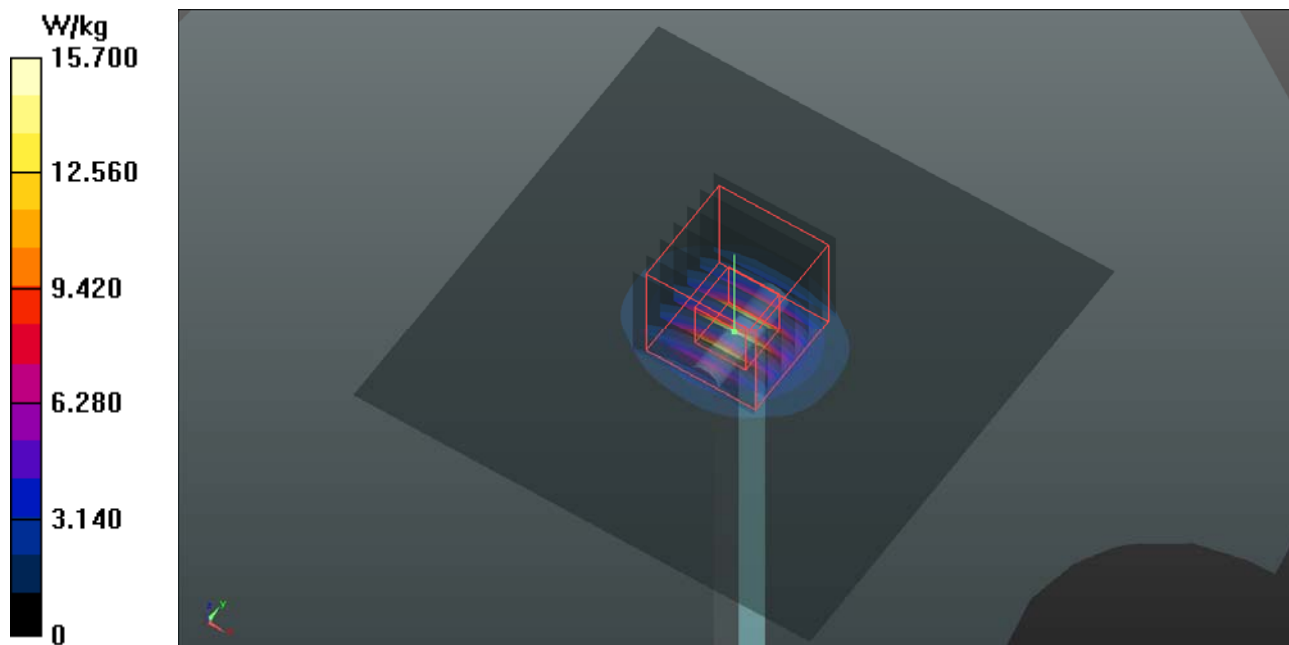
Ambient Temperature : 22.2 °C ; Liquid Temperature : 21.2 °C

DASY5 Configuration:

- Probe: EX3DV4 - SN3864; ConvF(4.78, 4.78, 4.78); Calibrated: 2014/07/25;
- Sensor-Surface: 2mm (Mechanical Surface Detection)
- Electronics: DAE3 Sn510; Calibrated: 2014/08/26
- Phantom: Twin SAM Phantom\_1652; Type: QD000P40;
- Measurement SW: DASY52, Version 52.8 (8); SEMCAD X Version 14.6.10 (7331)

**Pin=100mW/Area Scan (91x91x1):** Interpolated grid: dx=1.000 mm, dy=1.000 mm  
Maximum value of SAR (interpolated) = 15.7 W/kg

**Pin=100mW/Zoom Scan (7x7x12)/Cube 0:** Measurement grid: dx=4mm, dy=4mm, dz=2mm  
Reference Value = 62.91 V/m; Power Drift = -0.01 dB  
Peak SAR (extrapolated) = 34.7 W/kg  
**SAR(1 g) = 7.86 W/kg; SAR(10 g) = 2.19 W/kg**  
Maximum value of SAR (measured) = 16.4 W/kg



## System Check\_H5800\_150415

**DUT: Dipole 5 GHz; Type: D5GHzV2; SN: 1019**

Communication System: CW; Frequency: 5800 MHz; Duty Cycle: 1:1

Medium: H50T60N2\_0415 Medium parameters used:  $f = 5800$  MHz;  $\sigma = 5.233$  S/m;  $\epsilon_r = 35.512$ ;  $\rho = 1000$  kg/m<sup>3</sup>

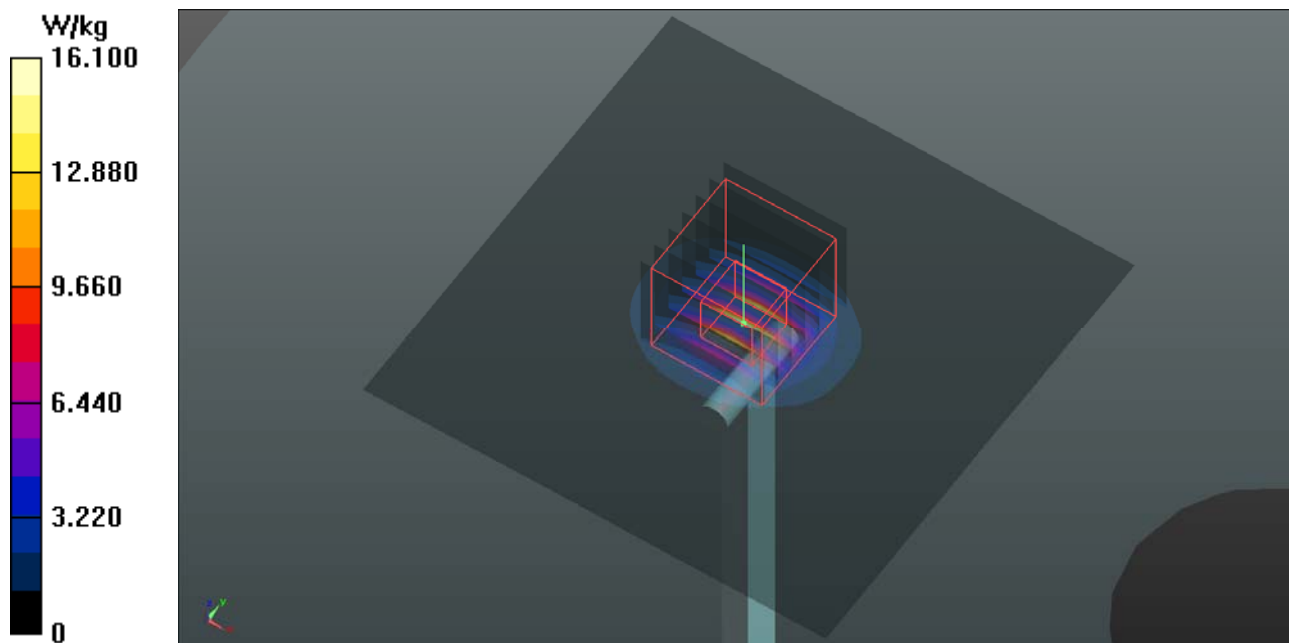
Ambient Temperature : 22.3 °C ; Liquid Temperature : 21.2 °C

DASY5 Configuration:

- Probe: EX3DV4 - SN3864; ConvF(4.75, 4.75, 4.75); Calibrated: 2014/07/25;
- Sensor-Surface: 2mm (Mechanical Surface Detection)
- Electronics: DAE3 Sn510; Calibrated: 2014/08/26
- Phantom: Twin SAM Phantom\_1652; Type: QD000P40;
- Measurement SW: DASY52, Version 52.8 (8); SEMCAD X Version 14.6.10 (7331)

**Pin=100mW/Area Scan (91x91x1):** Interpolated grid: dx=1.000 mm, dy=1.000 mm  
Maximum value of SAR (interpolated) = 16.1 W/kg

**Pin=100mW/Zoom Scan (7x7x12)/Cube 0:** Measurement grid: dx=4mm, dy=4mm, dz=2mm  
Reference Value = 60.42 V/m; Power Drift = 0.01 dB  
Peak SAR (extrapolated) = 34.1 W/kg  
**SAR(1 g) = 7.68 W/kg; SAR(10 g) = 2.16 W/kg**  
Maximum value of SAR (measured) = 16.6 W/kg



### System Check\_B750\_150404

**DUT: Dipole 750 MHz; Type: D750V3; SN: 1013**

Communication System: CW; Frequency: 750 MHz; Duty Cycle: 1:1

Medium: B07T08N1\_0404 Medium parameters used:  $f = 750 \text{ MHz}$ ;  $\sigma = 0.967 \text{ S/m}$ ;  $\epsilon_r = 55.261$ ;  $\rho = 1000 \text{ kg/m}^3$

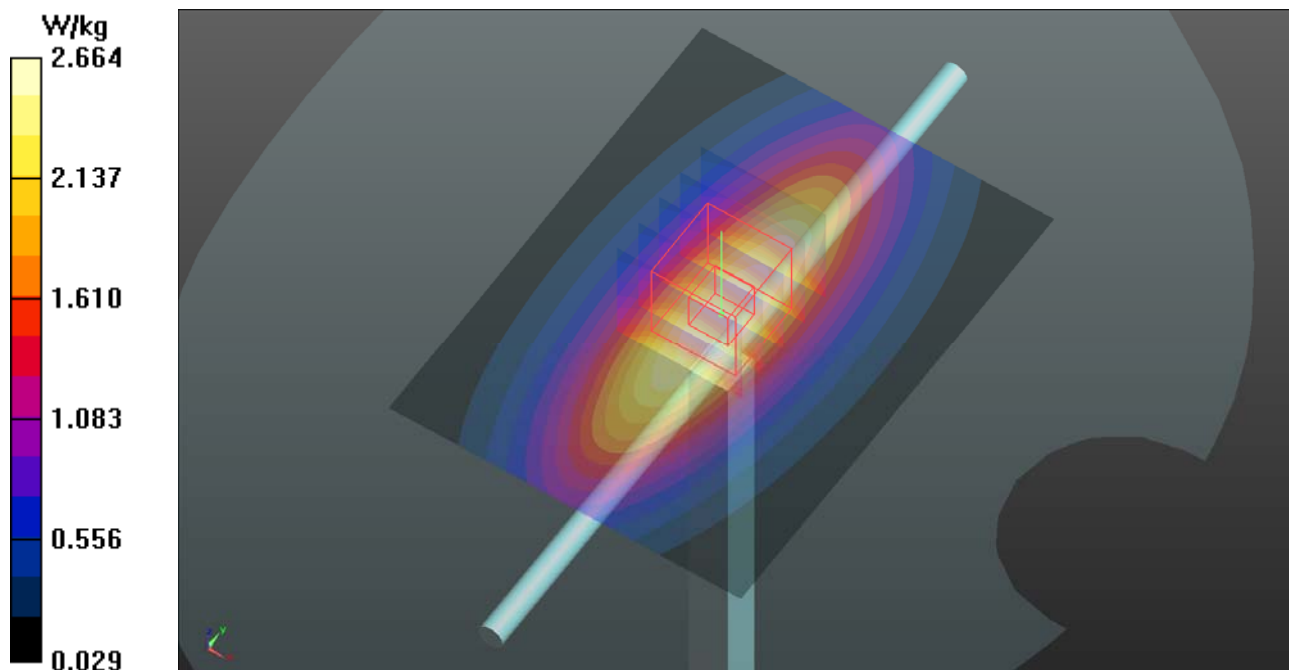
Ambient Temperature :  $22.4 \text{ }^\circ\text{C}$  ; Liquid Temperature :  $21.4 \text{ }^\circ\text{C}$

DASY5 Configuration:

- Probe: EX3DV4 - SN3864; ConvF(10.08, 10.08, 10.08); Calibrated: 2014/07/25;
- Sensor-Surface: 2mm (Mechanical Surface Detection)
- Electronics: DAE3 Sn510; Calibrated: 2014/08/26
- Phantom: Twin SAM Phantom\_1653; Type: QD000P40;
- Measurement SW: DASY52, Version 52.8 (8); SEMCAD X Version 14.6.10 (7331)

**Pin=250mW/Area Scan (61x81x1):** Interpolated grid:  $dx=1.500 \text{ mm}$ ,  $dy=1.500 \text{ mm}$   
Maximum value of SAR (interpolated) =  $2.66 \text{ W/kg}$

**Pin=250mW/Zoom Scan (5x5x7)/Cube 0:** Measurement grid:  $dx=8\text{mm}$ ,  $dy=8\text{mm}$ ,  $dz=5\text{mm}$   
Reference Value =  $53.52 \text{ V/m}$ ; Power Drift =  $0.00 \text{ dB}$   
Peak SAR (extrapolated) =  $3.08 \text{ W/kg}$   
**SAR(1 g) =  $2.15 \text{ W/kg}$ ; SAR(10 g) =  $1.45 \text{ W/kg}$**   
Maximum value of SAR (measured) =  $2.67 \text{ W/kg}$



## System Check\_B835\_150402

**DUT: Dipole 835 MHz; Type: D835V2; SN: 4d021**

Communication System: CW; Frequency: 835 MHz; Duty Cycle: 1:1

Medium: B08T09N1\_0402 Medium parameters used:  $f = 835$  MHz;  $\sigma = 0.992$  S/m;  $\epsilon_r = 55.378$ ;  $\rho = 1000$  kg/m<sup>3</sup>

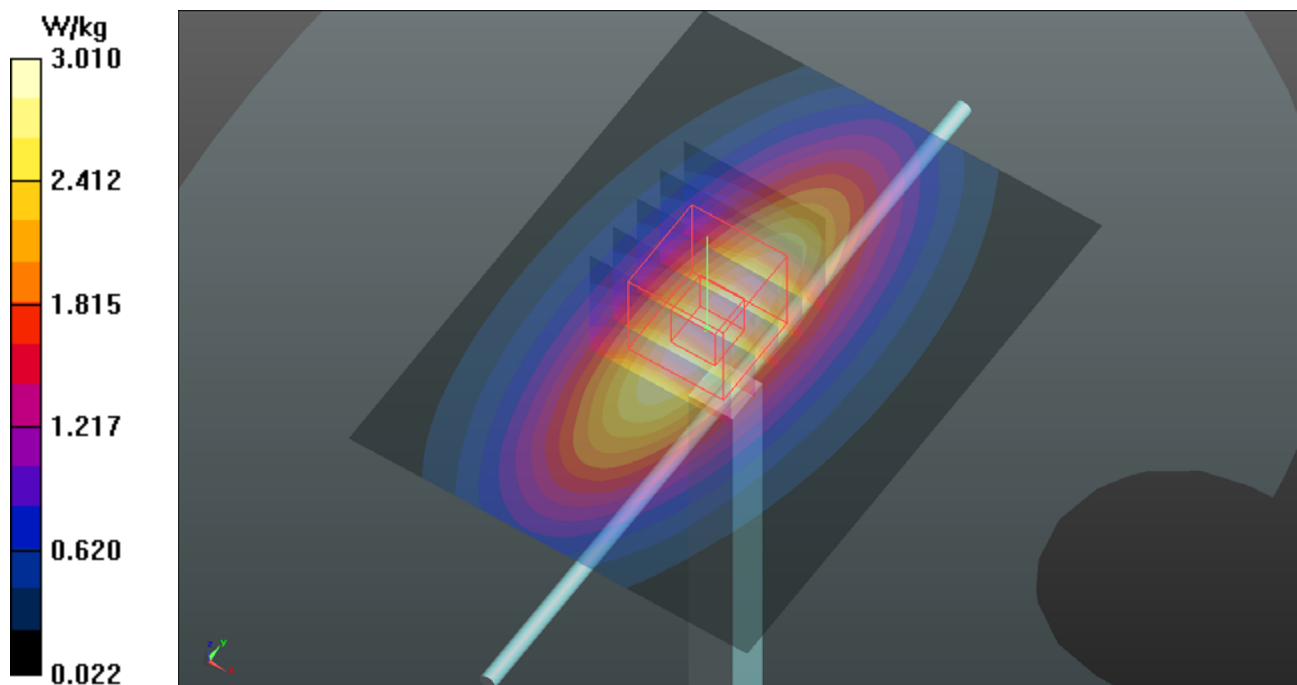
Ambient Temperature : 21.9 °C; Liquid Temperature : 21.6 °C

DASY5 Configuration:

- Probe: EX3DV4 - SN3650; ConvF(9.7, 9.7, 9.7); Calibrated: 2014/07/28;
- Sensor-Surface: 2mm (Mechanical Surface Detection)
- Electronics: DAE4 Sn1277; Calibrated: 2014/07/22
- Phantom: Twin SAM Phantom\_1822; Type: QD000P40;
- Measurement SW: DASY52, Version 52.8 (8); SEMCAD X Version 14.6.10 (7331)

**Pin=250mW/Area Scan (61x81x1):** Interpolated grid: dx=1.500 mm, dy=1.500 mm  
Maximum value of SAR (interpolated) = 3.01 W/kg

**Pin=250mW/Zoom Scan (5x5x7)/Cube 0:** Measurement grid: dx=8mm, dy=8mm, dz=5mm  
Reference Value = 55.51 V/m; Power Drift = 0.09 dB  
Peak SAR (extrapolated) = 3.57 W/kg  
**SAR(1 g) = 2.4 W/kg; SAR(10 g) = 1.58 W/kg**  
Maximum value of SAR (measured) = 3.04 W/kg



## System Check\_B1750\_150329

**DUT: Dipole 1750 MHz; Type: D1750V2; SN: 1055**

Communication System: CW; Frequency: 1750 MHz; Duty Cycle: 1:1

Medium: B17T18N3\_0329 Medium parameters used:  $f = 1750$  MHz;  $\sigma = 1.5$  S/m;  $\epsilon_r = 52.446$ ;  $\rho = 1000$  kg/m<sup>3</sup>

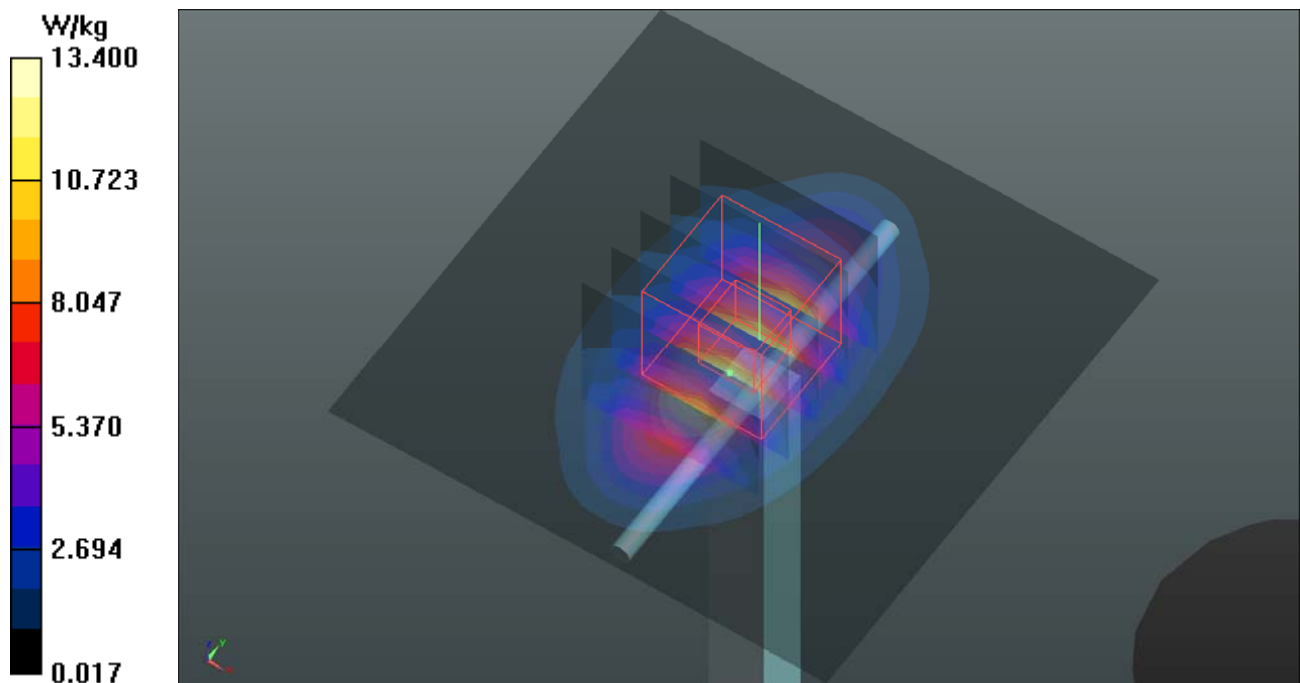
Ambient Temperature : 22.2 °C ; Liquid Temperature : 21.8 °C

DASY5 Configuration:

- Probe: EX3DV4 - SN3864; ConvF(8.02, 8.02, 8.02); Calibrated: 2014/07/25;
- Sensor-Surface: 2mm (Mechanical Surface Detection)
- Electronics: DAE3 Sn510; Calibrated: 2014/08/26
- Phantom: Twin SAM Phantom\_1653; Type: QD000P40;
- Measurement SW: DASY52, Version 52.8 (8); SEMCAD X Version 14.6.10 (7331)

**Pin=250mW/Area Scan (61x61x1):** Interpolated grid: dx=1.500 mm, dy=1.500 mm  
Maximum value of SAR (interpolated) = 13.4 W/kg

**Pin=250mW/Zoom Scan (5x5x7)/Cube 0:** Measurement grid: dx=8mm, dy=8mm, dz=5mm  
Reference Value = 94.42 V/m; Power Drift = -0.03 dB  
Peak SAR (extrapolated) = 15.8 W/kg  
**SAR(1 g) = 9.16 W/kg; SAR(10 g) = 4.92 W/kg**  
Maximum value of SAR (measured) = 12.7 W/kg



### System Check\_B1900\_150404

**DUT: Dipole 1900 MHz; Type: D1900V2; SN: 5d036**

Communication System: CW; Frequency: 1900 MHz; Duty Cycle: 1:1

Medium: B18T19N1\_0404 Medium parameters used:  $f = 1900$  MHz;  $\sigma = 1.547$  S/m;  $\epsilon_r = 53.811$ ;  $\rho = 1000$  kg/m<sup>3</sup>

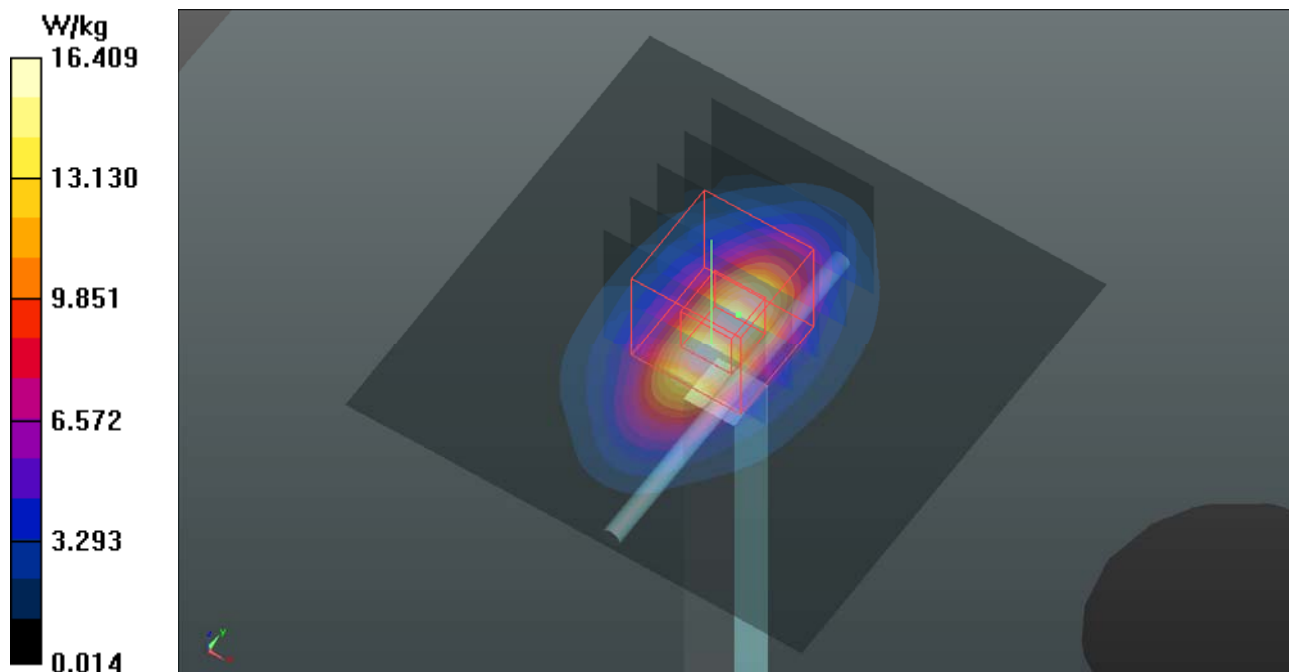
Ambient Temperature : 22.2 °C ; Liquid Temperature : 21.3 °C

DASY5 Configuration:

- Probe: EX3DV4 - SN3864; ConvF(7.72, 7.72, 7.72); Calibrated: 2014/07/25;
- Sensor-Surface: 2mm (Mechanical Surface Detection)
- Electronics: DAE3 Sn510; Calibrated: 2014/08/26
- Phantom: Twin SAM Phantom\_1653; Type: QD000P40;
- Measurement SW: DASY52, Version 52.8 (8); SEMCAD X Version 14.6.10 (7331)

**Pin=250mW/Area Scan (61x61x1):** Interpolated grid: dx=1.500 mm, dy=1.500 mm  
Maximum value of SAR (interpolated) = 16.4 W/kg

**Pin=250mW/Zoom Scan (5x5x7)/Cube 0:** Measurement grid: dx=8mm, dy=8mm, dz=5mm  
Reference Value = 101.8 V/m; Power Drift = 0.06 dB  
Peak SAR (extrapolated) = 19.6 W/kg  
**SAR(1 g) = 10.9 W/kg; SAR(10 g) = 5.64 W/kg**  
Maximum value of SAR (measured) = 15.4 W/kg





### System Check\_B2450\_150404

**DUT: Dipole 2450 MHz; Type: D2450V2; SN: 737**

Communication System: CW; Frequency: 2450 MHz; Duty Cycle: 1:1

Medium: B24T25N2\_0404 Medium parameters used:  $f = 2450$  MHz;  $\sigma = 1.982$  S/m;  $\epsilon_r = 53.545$ ;  $\rho = 1000$  kg/m<sup>3</sup>

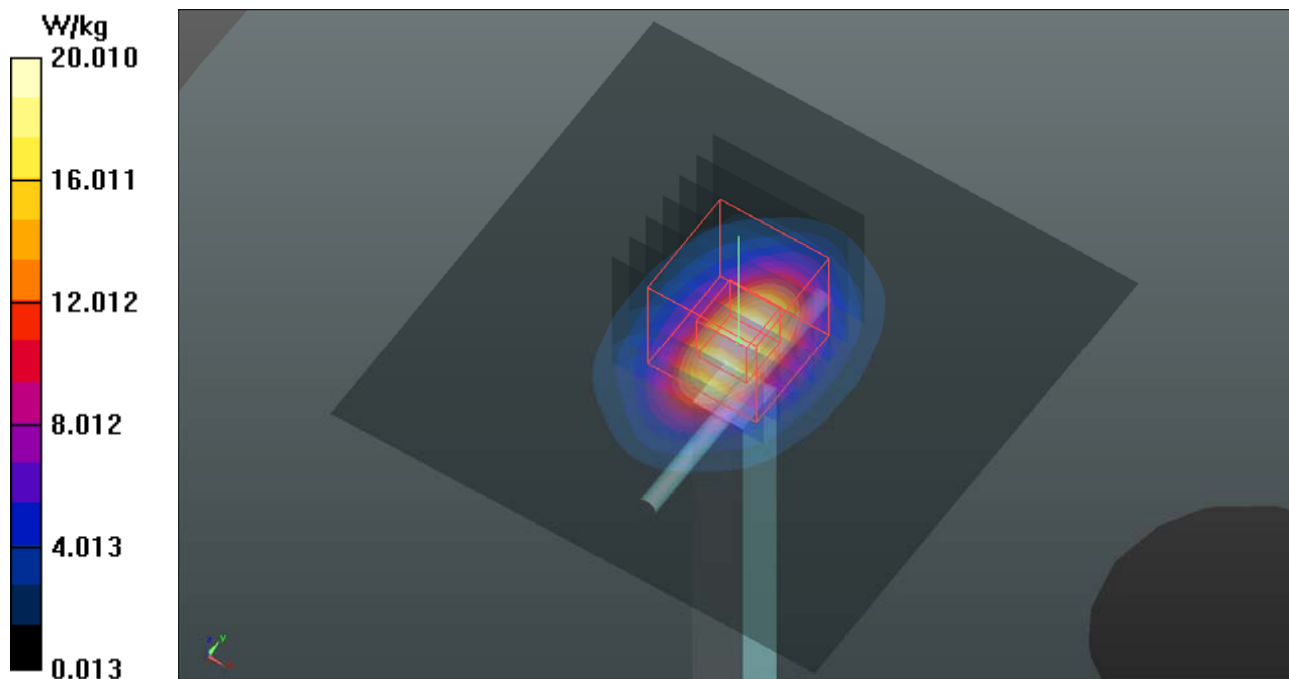
Ambient Temperature : 22.3 °C ; Liquid Temperature : 21.3 °C

DASY5 Configuration:

- Probe: EX3DV4 - SN3864; ConvF(7.14, 7.14, 7.14); Calibrated: 2014/07/25;
- Sensor-Surface: 2mm (Mechanical Surface Detection)
- Electronics: DAE3 Sn510; Calibrated: 2014/08/26
- Phantom: Twin SAM Phantom\_1652; Type: QD000P40;
- Measurement SW: DASY52, Version 52.8 (8); SEMCAD X Version 14.6.10 (7331)

**Pin=250mW/Area Scan (81x81x1):** Interpolated grid: dx=1.200 mm, dy=1.200 mm  
Maximum value of SAR (interpolated) = 20.0 W/kg

**Pin=250mW/Zoom Scan (7x7x7)/Cube 0:** Measurement grid: dx=5mm, dy=5mm, dz=5mm  
Reference Value = 101.0 V/m; Power Drift = -0.04 dB  
Peak SAR (extrapolated) = 27.6 W/kg  
**SAR(1 g) = 13 W/kg; SAR(10 g) = 5.92 W/kg**  
Maximum value of SAR (measured) = 20.1 W/kg



### System Check\_B5300\_150408

**DUT: Dipole 5 GHz; Type: D5GHzV2; SN: 1019**

Communication System: CW; Frequency: 5300 MHz; Duty Cycle: 1:1

Medium: B5G\_0408 Medium parameters used:  $f = 5300$  MHz;  $\sigma = 5.61$  S/m;  $\epsilon_r = 48.949$ ;  $\rho = 1000$  kg/m<sup>3</sup>

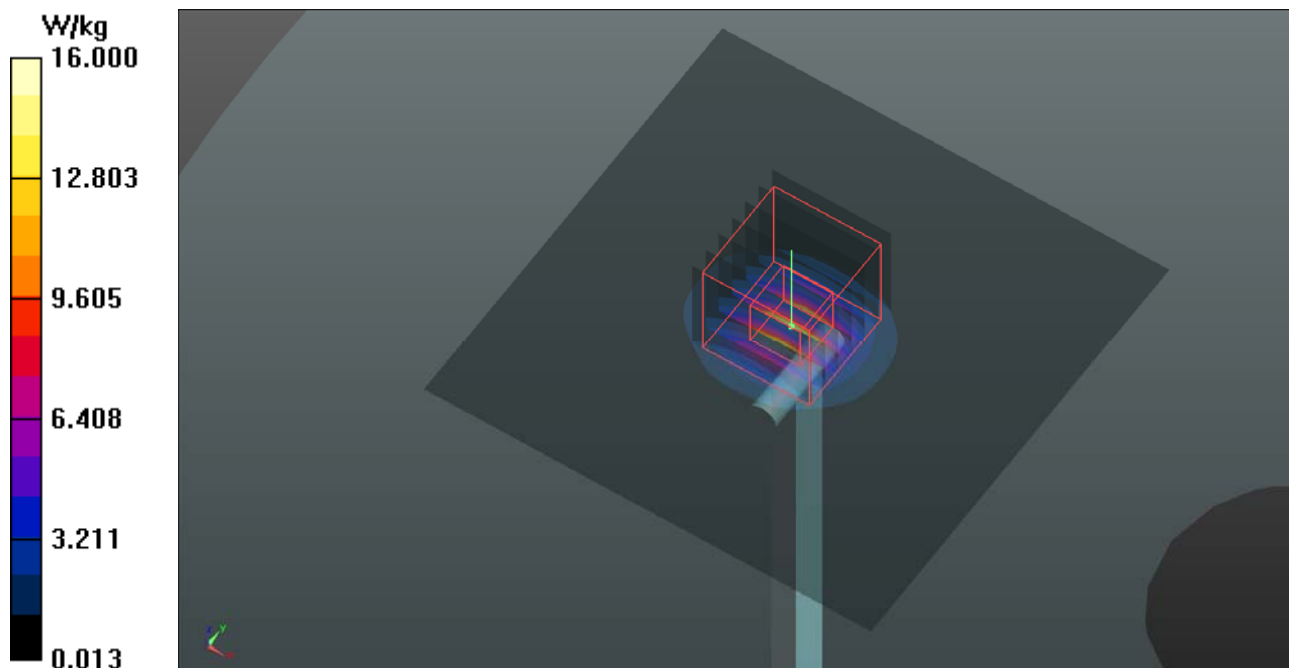
Ambient Temperature : 21.9 °C ; Liquid Temperature : 20.7 °C

DASY5 Configuration:

- Probe: EX3DV4 - SN3864; ConvF(4.16, 4.16, 4.16); Calibrated: 2014/07/25;
- Sensor-Surface: 2mm (Mechanical Surface Detection)
- Electronics: DAE3 Sn510; Calibrated: 2014/08/26
- Phantom: Twin SAM Phantom\_1653; Type: QD000P40;
- Measurement SW: DASY52, Version 52.8 (8); SEMCAD X Version 14.6.10 (7331)

**Pin=100mW/Area Scan (91x91x1):** Interpolated grid: dx=1.000 mm, dy=1.000 mm  
Maximum value of SAR (interpolated) = 16.0 W/kg

**Pin=100mW/Zoom Scan (7x7x12)/Cube 0:** Measurement grid: dx=4mm, dy=4mm, dz=2mm  
Reference Value = 58.06 V/m; Power Drift = -0.02 dB  
Peak SAR (extrapolated) = 30.0 W/kg  
**SAR(1 g) = 7.55 W/kg; SAR(10 g) = 2.14 W/kg**  
Maximum value of SAR (measured) = 15.7 W/kg



## System Check\_B5600\_150415

**DUT: Dipole 5 GHz; Type: D5GHzV2; SN: 1019**

Communication System: CW; Frequency: 5600 MHz; Duty Cycle: 1:1

Medium: B50T60N3\_0415 Medium parameters used:  $f = 5600$  MHz;  $\sigma = 5.873$  S/m;  $\epsilon_r = 48.544$ ;  $\rho = 1000$  kg/m<sup>3</sup>

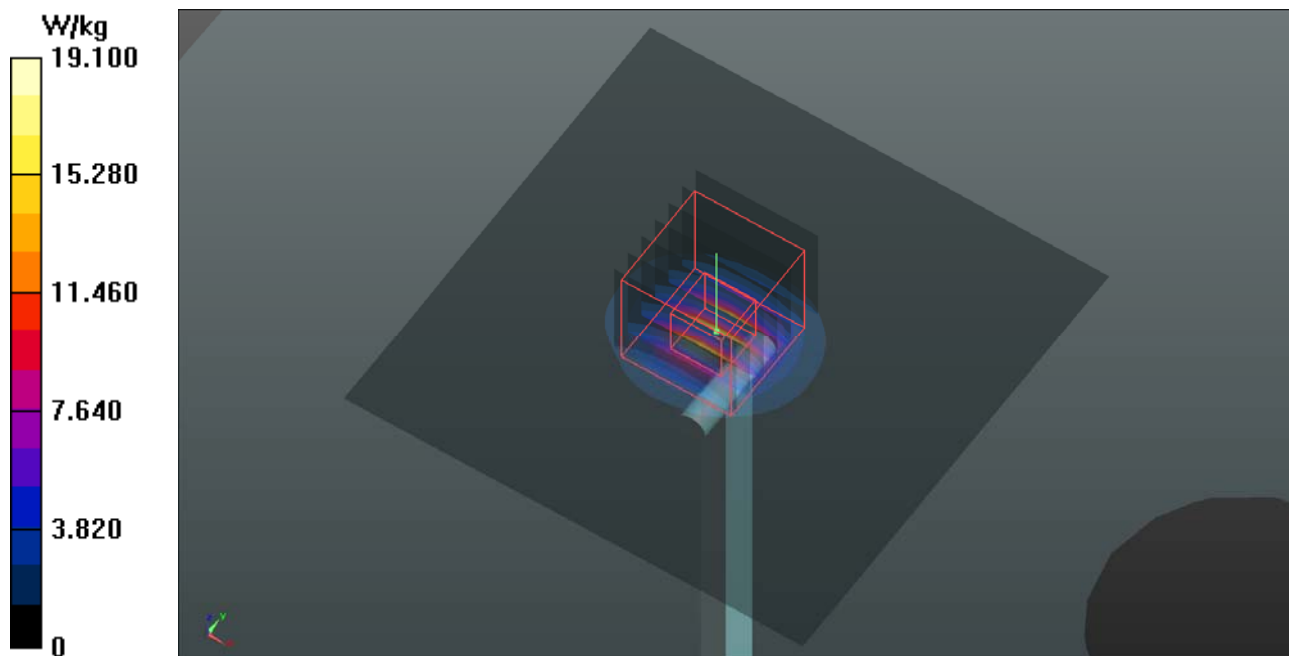
Ambient Temperature : 22.1 °C ; Liquid Temperature : 21.2 °C

DASY5 Configuration:

- Probe: EX3DV4 - SN3864; ConvF(3.77, 3.77, 3.77); Calibrated: 2014/07/25;
- Sensor-Surface: 2mm (Mechanical Surface Detection)
- Electronics: DAE3 Sn510; Calibrated: 2014/08/26
- Phantom: Twin SAM Phantom\_1652; Type: QD000P40;
- Measurement SW: DASY52, Version 52.8 (8); SEMCAD X Version 14.6.10 (7331)

**Pin=100mW/Area Scan (91x91x1):** Interpolated grid: dx=1.000 mm, dy=1.000 mm  
Maximum value of SAR (interpolated) = 19.1 W/kg

**Pin=100mW/Zoom Scan (7x7x12)/Cube 0:** Measurement grid: dx=4mm, dy=4mm, dz=2mm  
Reference Value = 59.19 V/m; Power Drift = 0.08 dB  
Peak SAR (extrapolated) = 36.3 W/kg  
**SAR(1 g) = 8.6 W/kg; SAR(10 g) = 2.42 W/kg**  
Maximum value of SAR (measured) = 18.6 W/kg



### System Check\_B5800\_150415

**DUT: Dipole 5 GHz; Type: D5GHzV2; SN: 1019**

Communication System: CW; Frequency: 5800 MHz; Duty Cycle: 1:1

Medium: B50T60N3\_0415 Medium parameters used:  $f = 5800$  MHz;  $\sigma = 6.218$  S/m;  $\epsilon_r = 48.852$ ;  $\rho = 1000$  kg/m<sup>3</sup>

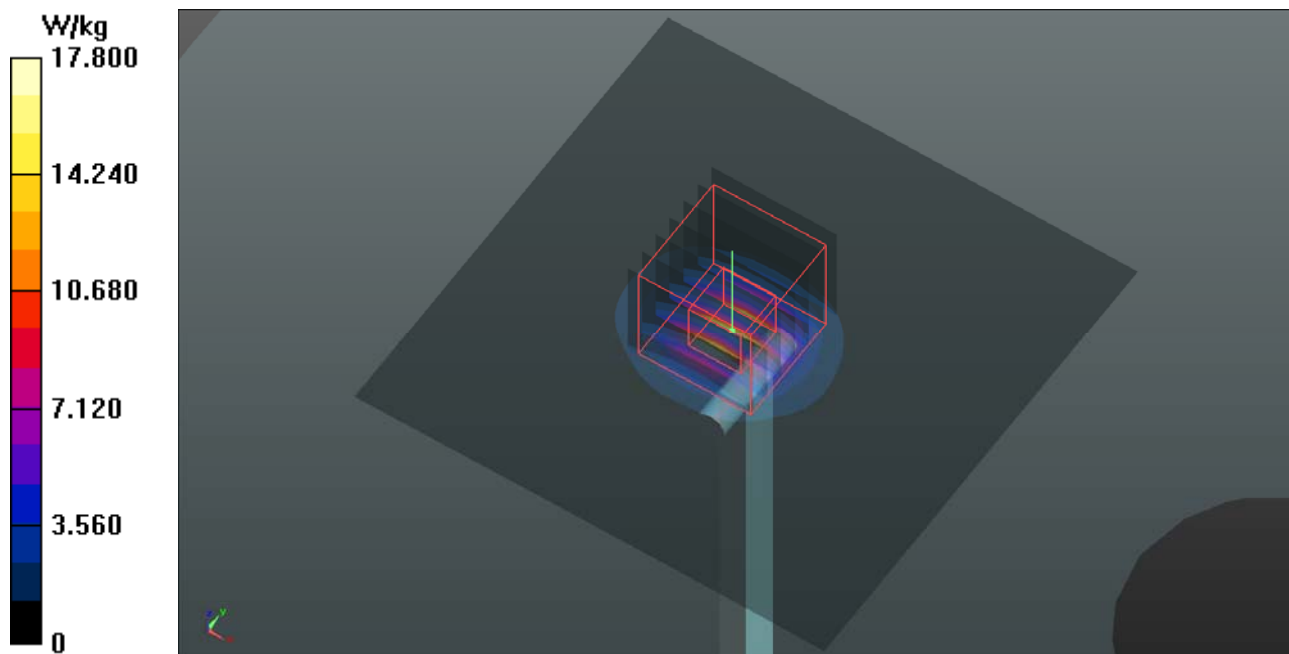
Ambient Temperature : 22.2 °C ; Liquid Temperature : 21.3 °C

DASY5 Configuration:

- Probe: EX3DV4 - SN3864; ConvF(4.01, 4.01, 4.01); Calibrated: 2014/07/25;
- Sensor-Surface: 2mm (Mechanical Surface Detection)
- Electronics: DAE3 Sn510; Calibrated: 2014/08/26
- Phantom: Twin SAM Phantom\_1652; Type: QD000P40;
- Measurement SW: DASY52, Version 52.8 (8); SEMCAD X Version 14.6.10 (7331)

**Pin=100mW/Area Scan (91x91x1):** Interpolated grid: dx=1.000 mm, dy=1.000 mm  
Maximum value of SAR (interpolated) = 17.8 W/kg

**Pin=100mW/Zoom Scan (7x7x12)/Cube 0:** Measurement grid: dx=4mm, dy=4mm, dz=2mm  
Reference Value = 55.94 V/m; Power Drift = 0.00 dB  
Peak SAR (extrapolated) = 34.1 W/kg  
**SAR(1 g) = 7.88 W/kg; SAR(10 g) = 2.23 W/kg**  
Maximum value of SAR (measured) = 17.0 W/kg





## **Appendix B. SAR Plots of SAR Measurement**

The SAR plots for highest measured SAR in each exposure configuration, wireless mode and frequency band combination, and measured SAR > 1.5 W/kg are shown as follows.

## P01 CDMA 2000 BC0\_RC3+SO55\_Left Cheek\_Ch1013

### DUT: 150318C06

Communication System: CDMA2000; Frequency: 824.7 MHz; Duty Cycle: 1:1

Medium: H08T09N1\_0403 Medium parameters used:  $f = 825$  MHz;  $\sigma = 0.908$  S/m;  $\epsilon_r = 43.011$ ;  $\rho = 1000$  kg/m<sup>3</sup>

Ambient Temperature : 22.3 °C ; Liquid Temperature : 21.5 °C

#### DASY5 Configuration:

- Probe: EX3DV4 - SN3864; ConvF(10.03, 10.03, 10.03); Calibrated: 2014/07/25;
- Sensor-Surface: 2mm (Mechanical Surface Detection)
- Electronics: DAE3 Sn510; Calibrated: 2014/08/26
- Phantom: Twin SAM Phantom\_1652; Type: QD000P40;
- Measurement SW: DASY52, Version 52.8 (8); SEMCAD X Version 14.6.10 (7331)

- **Area Scan (71x121x1):** Interpolated grid: dx=1.500 mm, dy=1.500 mm

Maximum value of SAR (interpolated) = 0.419 W/kg

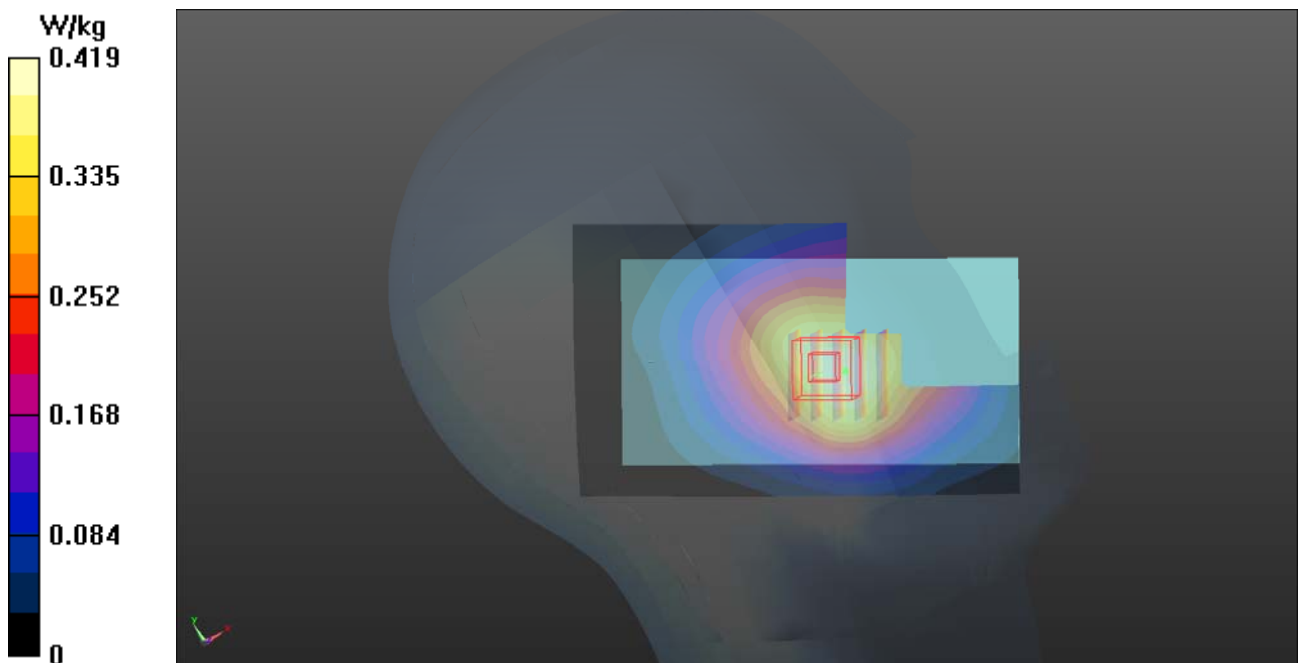
- **Zoom Scan (5x5x7)/Cube 0:** Measurement grid: dx=8mm, dy=8mm, dz=5mm

Reference Value = 7.284 V/m; Power Drift = 0.13 dB

Peak SAR (extrapolated) = 0.469 W/kg

**SAR(1 g) = 0.369 W/kg; SAR(10 g) = 0.282 W/kg**

Maximum value of SAR (measured) = 0.423 W/kg



## P02 CDMA2000 BC1\_RC3+SO55\_Left Cheek\_Ch25

**DUT: 150318C06**

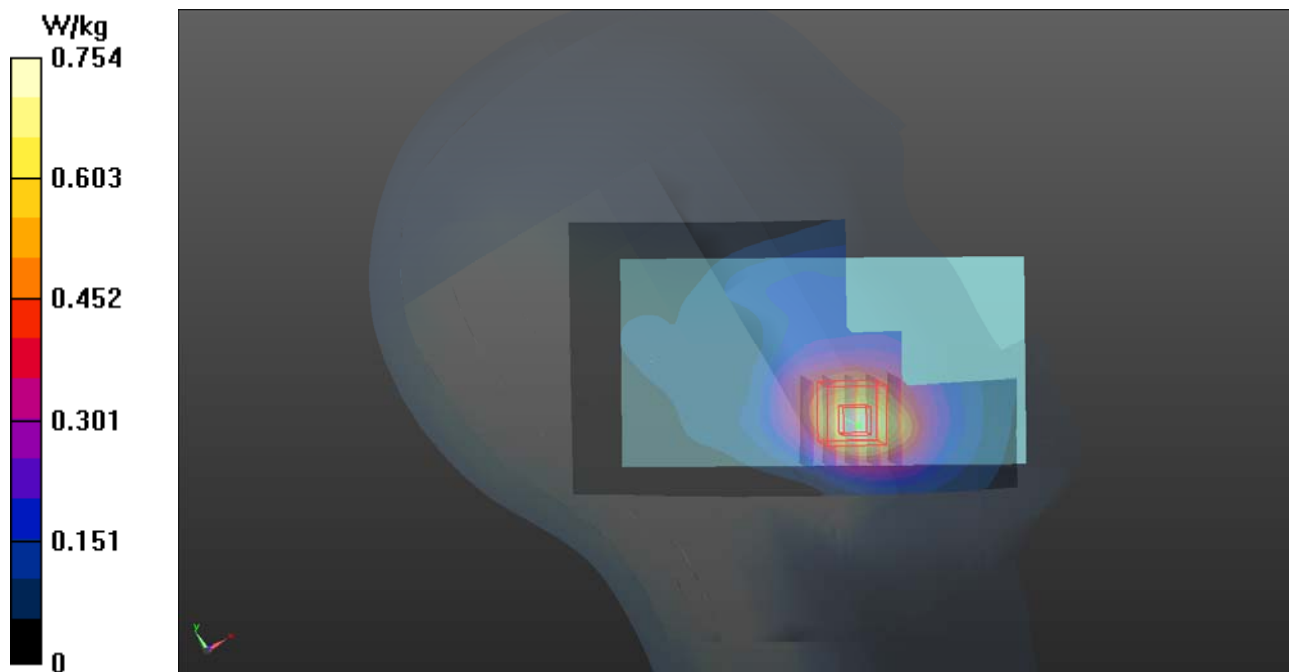
Communication System: CDMA2000; Frequency: 1851.25 MHz; Duty Cycle: 1:1  
Medium: H18T19N1\_0404 Medium parameters used:  $f = 1851.25$  MHz;  $\sigma = 1.338$  S/m;  $\epsilon_r = 39.945$ ;  $\rho = 1000$  kg/m<sup>3</sup>  
Ambient Temperature : 22.4 °C ; Liquid Temperature : 21.5 °C

DASY5 Configuration:

- Probe: EX3DV4 - SN3864; ConvF(8.1, 8.1, 8.1); Calibrated: 2014/07/25;
- Sensor-Surface: 2mm (Mechanical Surface Detection)
- Electronics: DAE3 Sn510; Calibrated: 2014/08/26
- Phantom: Twin SAM Phantom\_1653; Type: QD000P40;
- Measurement SW: DASY52, Version 52.8 (8); SEMCAD X Version 14.6.10 (7331)

- **Area Scan (71x121x1):** Interpolated grid: dx=1.500 mm, dy=1.500 mm  
Maximum value of SAR (interpolated) = 0.754 W/kg

- **Zoom Scan (5x5x7)/Cube 0:** Measurement grid: dx=8mm, dy=8mm, dz=5mm  
Reference Value = 8.463 V/m; Power Drift = 0.15 dB  
Peak SAR (extrapolated) = 0.850 W/kg  
**SAR(1 g) = 0.567 W/kg; SAR(10 g) = 0.358 W/kg**  
Maximum value of SAR (measured) = 0.720 W/kg



### P03 LTE 4\_QPSK20M\_Left Cheek\_Ch20300\_1RB\_OS0

**DUT: 150318C06**

Communication System: LTE; Frequency: 1745 MHz; Duty Cycle: 1:1

Medium: H17T18N1\_0403 Medium parameters used:  $f = 1745$  MHz;  $\sigma = 1.336$  S/m;  $\epsilon_r = 38.69$ ;  $\rho = 1000$  kg/m<sup>3</sup>

Ambient Temperature : 22.2 °C ; Liquid Temperature : 21.5 °C

DASY5 Configuration:

- Probe: EX3DV4 - SN3864; ConvF(8.39, 8.39, 8.39); Calibrated: 2014/07/25;
- Sensor-Surface: 2mm (Mechanical Surface Detection)
- Electronics: DAE3 Sn510; Calibrated: 2014/08/26
- Phantom: Twin SAM Phantom\_1653; Type: QD000P40;
- Measurement SW: DASY52, Version 52.8 (8); SEMCAD X Version 14.6.10 (7331)

- **Area Scan (71x121x1):** Interpolated grid: dx=1.500 mm, dy=1.500 mm

Maximum value of SAR (interpolated) = 0.717 W/kg

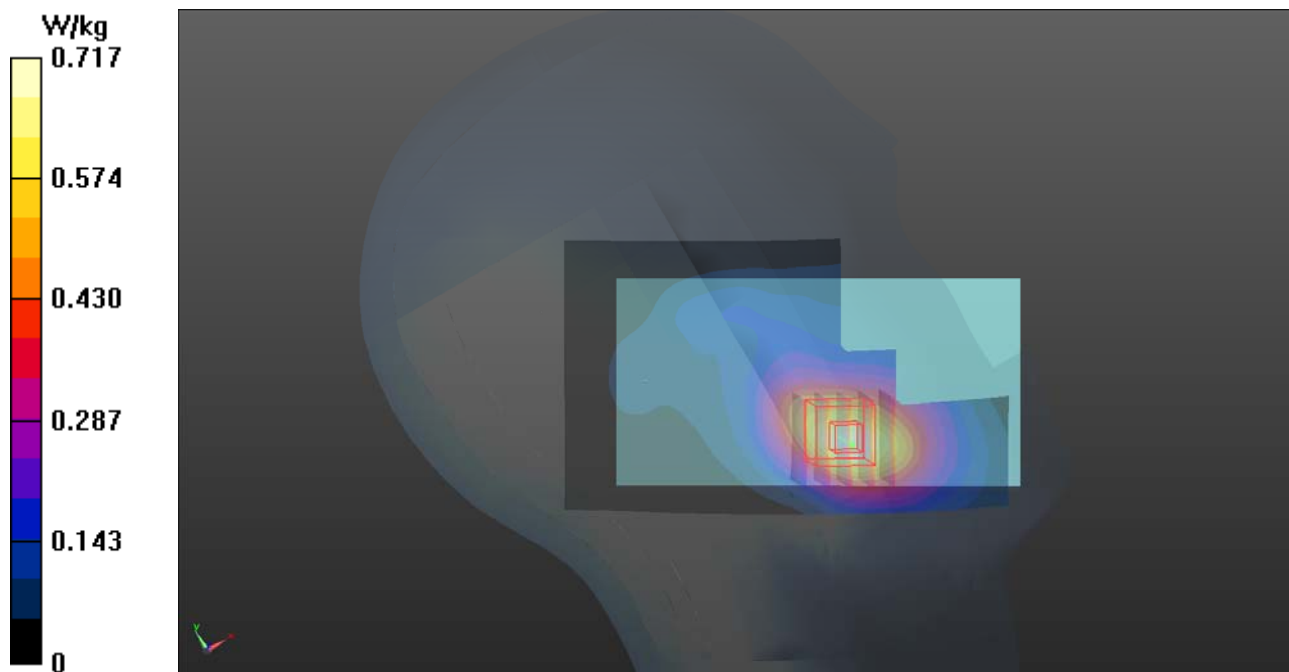
- **Zoom Scan (5x5x7)/Cube 0:** Measurement grid: dx=8mm, dy=8mm, dz=5mm

Reference Value = 9.063 V/m; Power Drift = 0.04 dB

Peak SAR (extrapolated) = 0.833 W/kg

**SAR(1 g) = 0.560 W/kg; SAR(10 g) = 0.361 W/kg**

Maximum value of SAR (measured) = 0.704 W/kg





### P04 LTE 13\_QPSK10M\_Left Cheek\_Ch23230\_1RB\_OS0

**DUT: 150318C06**

Communication System: LTE; Frequency: 782 MHz; Duty Cycle: 1:1

Medium: H07T08N1\_0403 Medium parameters used:  $f = 782 \text{ MHz}$ ;  $\sigma = 0.914 \text{ S/m}$ ;  $\epsilon_r = 40.091$ ;  $\rho = 1000 \text{ kg/m}^3$

Ambient Temperature : 22.5 °C ; Liquid Temperature : 21.5 °C

DASY5 Configuration:

- Probe: EX3DV4 - SN3864; ConvF(10.44, 10.44, 10.44); Calibrated: 2014/07/25;
- Sensor-Surface: 2mm (Mechanical Surface Detection)
- Electronics: DAE3 Sn510; Calibrated: 2014/08/26
- Phantom: Twin SAM Phantom\_1652; Type: QD000P40;
- Measurement SW: DASY52, Version 52.8 (8); SEMCAD X Version 14.6.10 (7331)

- **Area Scan (71x121x1):** Interpolated grid:  $dx=1.500 \text{ mm}$ ,  $dy=1.500 \text{ mm}$

Maximum value of SAR (interpolated) = 0.488 W/kg

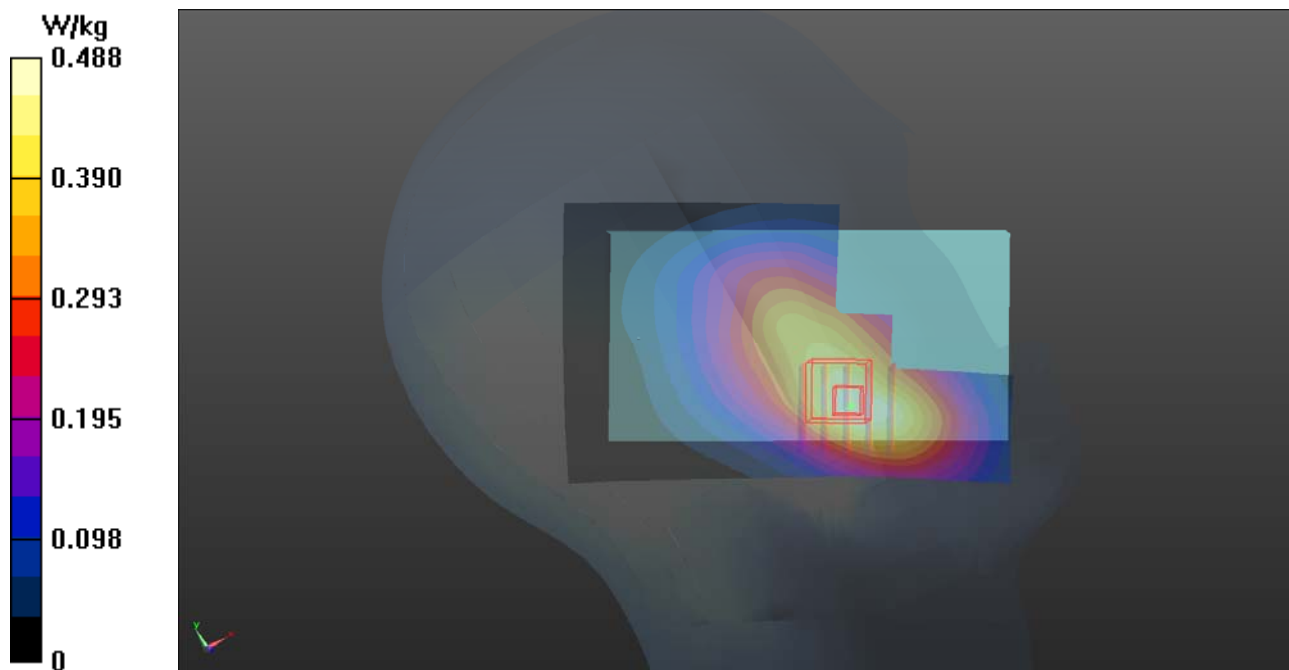
- **Zoom Scan (5x5x7)/Cube 0:** Measurement grid:  $dx=8\text{mm}$ ,  $dy=8\text{mm}$ ,  $dz=5\text{mm}$

Reference Value = 7.571 V/m; Power Drift = 0.12 dB

Peak SAR (extrapolated) = 0.518 W/kg

**SAR(1 g) = 0.386 W/kg; SAR(10 g) = 0.284 W/kg**

Maximum value of SAR (measured) = 0.459 W/kg



## P05 2.4G WLAN\_802.11b\_Right Cheek\_Ch6

**DUT: 150318C06**

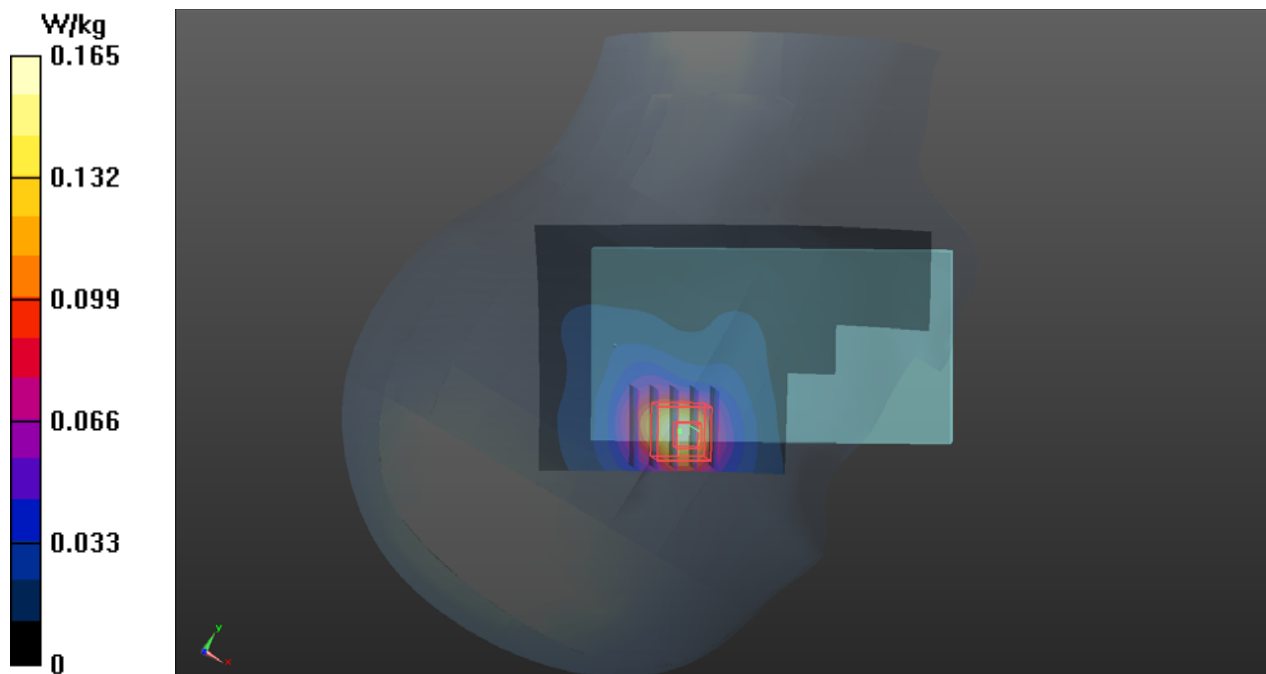
Communication System: WLAN\_2.4G; Frequency: 2437 MHz; Duty Cycle: 1:1  
 Medium: H24T25N2\_0331 Medium parameters used:  $f = 2437$  MHz;  $\sigma = 1.802$  S/m;  $\epsilon_r = 39.991$ ;  $\rho = 1000$  kg/m<sup>3</sup>  
 Ambient Temperature : 21.9 °C; Liquid Temperature : 21.4 °C

DASY5 Configuration:

- Probe: EX3DV4 - SN3820; ConvF(6.85, 6.85, 6.85); Calibrated: 2014/05/15;
- Sensor-Surface: 2mm (Mechanical Surface Detection)
- Electronics: DAE4 Sn913; Calibrated: 2014/12/15
- Phantom: Twin SAM Phantom\_1823; Type: QD000P40CD;
- Measurement SW: DASY52, Version 52.8 (8); SEMCAD X Version 14.6.10 (7331)

- **Area Scan (91x151x1):** Interpolated grid: dx=1.200 mm, dy=1.200 mm  
 Maximum value of SAR (interpolated) = 0.165 W/kg

- **Zoom Scan (5x5x7)/Cube 0:** Measurement grid: dx=8mm, dy=8mm, dz=5mm  
 Reference Value = 4.131 V/m; Power Drift = 0.03 dB  
 Peak SAR (extrapolated) = 0.223 W/kg  
**SAR(1 g) = 0.113 W/kg; SAR(10 g) = 0.058 W/kg**  
 Maximum value of SAR (measured) = 0.156 W/kg



### P06 5.3G WLAN\_802.11a\_Right Cheek\_Ch60

**DUT: 150318C06**

Communication System: WLAN\_5G; Frequency: 5300 MHz; Duty Cycle: 1:1

Medium: H50T60N2\_0415 Medium parameters used:  $f = 5300$  MHz;  $\sigma = 4.968$  S/m;  $\epsilon_r = 36.095$ ;  $\rho = 1000$  kg/m<sup>3</sup>

Ambient Temperature : 22.2 °C ; Liquid Temperature : 21.2 °C

DASY5 Configuration:

- Probe: EX3DV4 - SN3864; ConvF(5.03, 5.03, 5.03); Calibrated: 2014/07/25;
- Sensor-Surface: 2mm (Mechanical Surface Detection)
- Electronics: DAE3 Sn510; Calibrated: 2014/08/26
- Phantom: Twin SAM Phantom\_1652; Type: QD000P40;
- Measurement SW: DASY52, Version 52.8 (8); SEMCAD X Version 14.6.10 (7331)

- **Area Scan (121x181x1)**: Interpolated grid: dx=1.000 mm, dy=1.000 mm

Maximum value of SAR (interpolated) = 0.103 W/kg

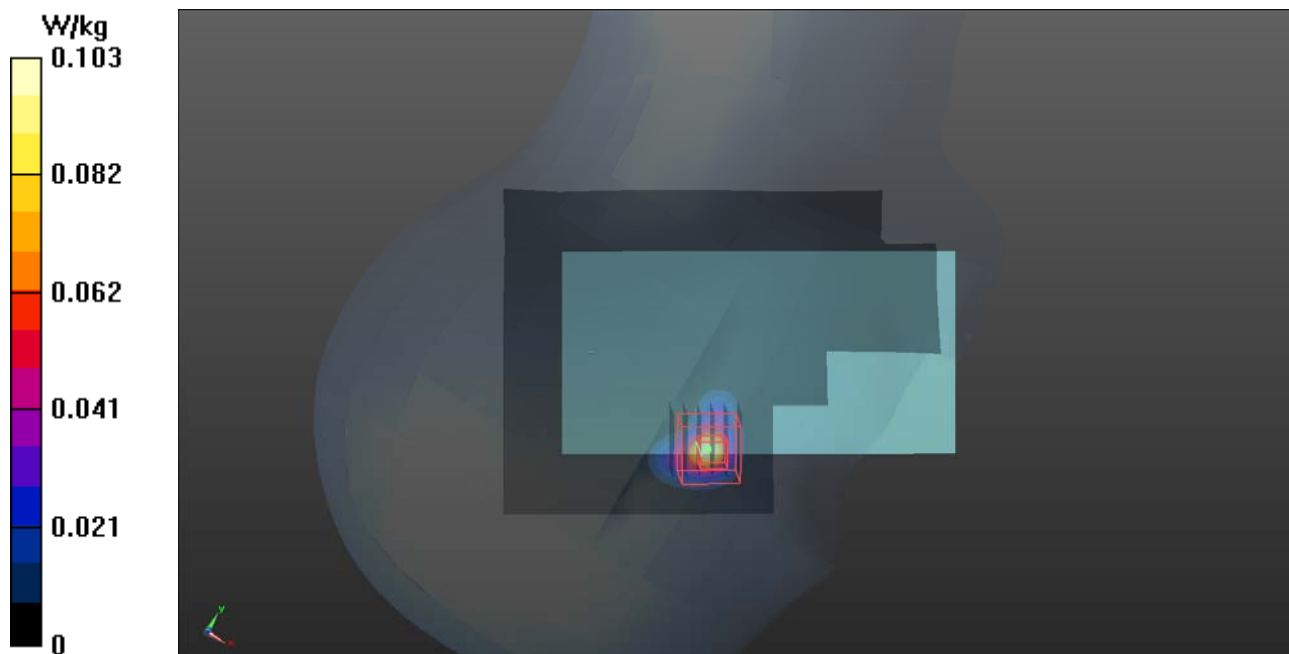
- **Zoom Scan (6x6x12)/Cube 0**: Measurement grid: dx=5mm, dy=5mm, dz=2mm

Reference Value = 0 V/m; Power Drift = 0.00 dB

Peak SAR (extrapolated) = 0.290 W/kg

**SAR(1 g) = 0.038 W/kg; SAR(10 g) = 0.012 W/kg**

Maximum value of SAR (measured) = 0.0736 W/kg



## P07 5.6G WLAN\_802.11a\_Left Cheek\_Ch116

**DUT: 150318C06**

Communication System: WLAN\_5G; Frequency: 55: 0 MHz; Duty Cycle: 1:1

Medium: H50T60N2\_0415 Medium parameters used:  $f = 55: 0$  MHz;  $\sigma = 5.498$  S/m;  $\epsilon_r = 35.7; 9$ ;  $\rho = 1000$  kg/m<sup>3</sup>

Ambient Temperature : 22.2 °C ; Liquid Temperature : 21.2 °C

DASY5 Configuration:

- Probe: EX3DV4 - SN3864; ConvF(4.9: , 4.78, 4.78); Calibrated: 2014/07/25;
- Sensor-Surface: 2mm (Mechanical Surface Detection)
- Electronics: DAE3 Sn510; Calibrated: 2014/08/26
- Phantom: Twin SAM Phantom\_1652; Type: QD000P40;
- Measurement SW: DASY52, Version 52.8 (8); SEMCAD X Version 14.6.10 (7331)

- **Area Scan (121x181x1)**: Interpolated grid: dx=1.000 mm, dy=1.000 mm

Maximum value of SAR (interpolated) = 0.0625 W/kg

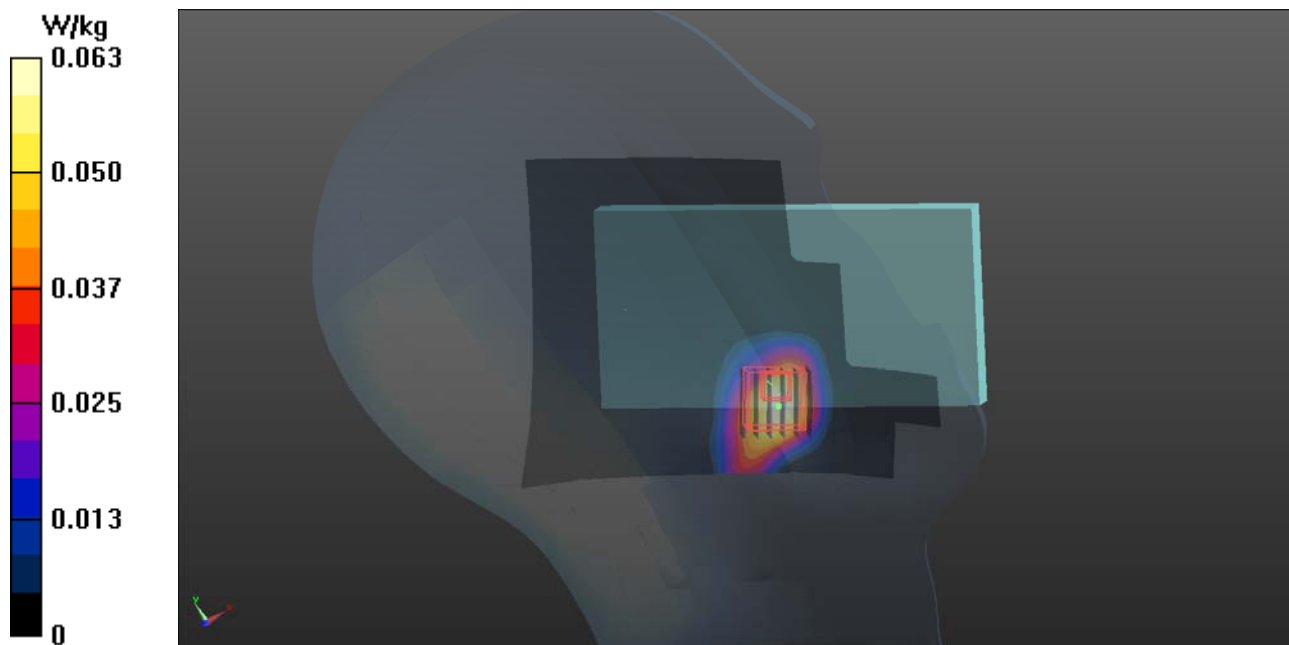
- **Zoom Scan (6x6x12)/Cube 0**: Measurement grid: dx=5mm, dy=5mm, dz=2mm

Reference Value = 0 V/m; Power Drift = 0.00 dB

Peak SAR (extrapolated) = 0.141 W/kg

**SAR(1 g) = 0.041 W/kg; SAR(10 g) = 0.014 W/kg**

Maximum value of SAR (measured) = 0.0791 W/kg



### P08 5.8G WLAN\_802.11a\_Right Cheek\_Ch157

**DUT: 150318C06**

Communication System: WLAN\_5G; Frequency: 5785 MHz; Duty Cycle: 1:1

Medium: H50T60N2\_0415 Medium parameters used:  $f = 5785$  MHz;  $\sigma = 5.503$  S/m;  $\epsilon_r = 35.241$ ;  $\rho = 1000$  kg/m<sup>3</sup>

Ambient Temperature : 22.2 °C ; Liquid Temperature : 21.3 °C

DASY5 Configuration:

- Probe: EX3DV4 - SN3864; ConvF(4.75, 4.75, 4.75); Calibrated: 2014/07/25;
- Sensor-Surface: 2mm (Mechanical Surface Detection)
- Electronics: DAE3 Sn510; Calibrated: 2014/08/26
- Phantom: Twin SAM Phantom\_1652; Type: QD000P40;
- Measurement SW: DASY52, Version 52.8 (8); SEMCAD X Version 14.6.10 (7331)

- **Area Scan (121x181x1)**: Interpolated grid: dx=1.000 mm, dy=1.000 mm

Maximum value of SAR (interpolated) = 0.100 W/kg

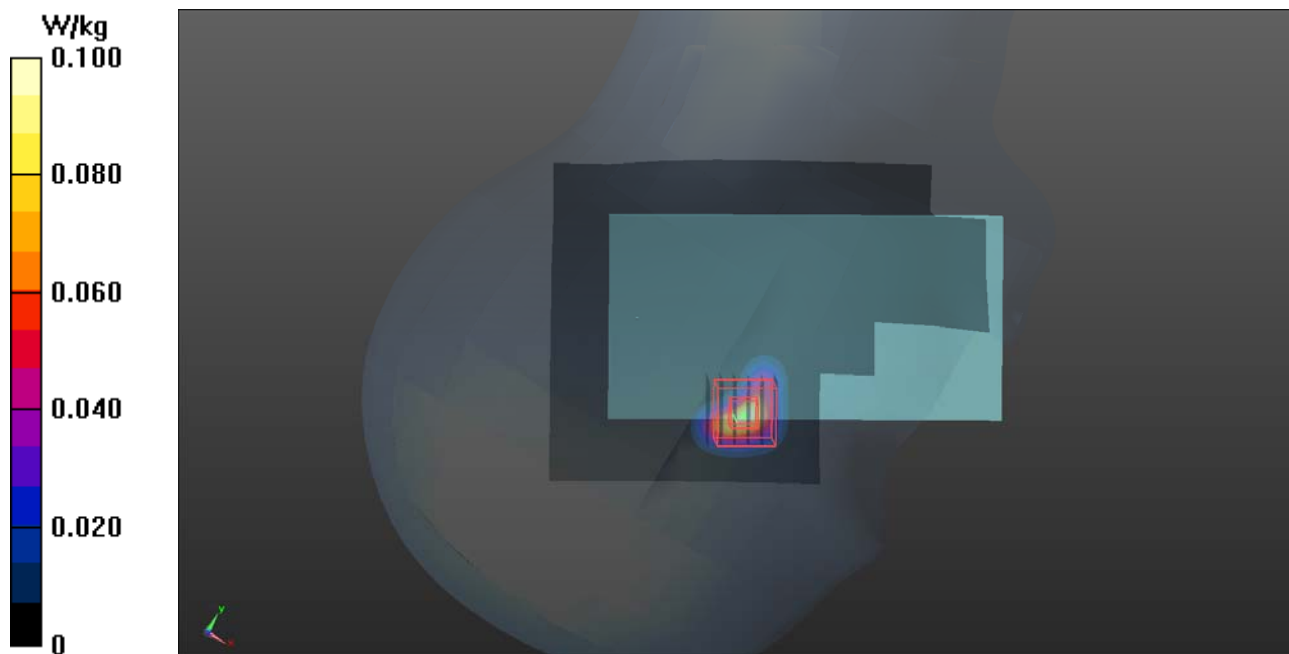
- **Zoom Scan (6x6x12)/Cube 0**: Measurement grid: dx=5mm, dy=5mm, dz=2mm

Reference Value = 0 V/m; Power Drift = 0.00 dB

Peak SAR (extrapolated) = 0.203 W/kg

**SAR(1 g) = 0.044 W/kg; SAR(10 g) = 0.013 W/kg**

Maximum value of SAR (measured) = 0.101 W/kg



## P09 CDMA2000 BC0\_RTAP 153.6\_Front Face\_1cm\_Ch384

### DUT: 150318C06

Communication System: CDMA2000; Frequency: 836.52 MHz; Duty Cycle: 1:1

Medium: B08T09N3\_0402 Medium parameters used:  $f = 837$  MHz;  $\sigma = 0.994$  S/m;  $\epsilon_r = 55.355$ ;  $\rho = 1000$  kg/m<sup>3</sup>

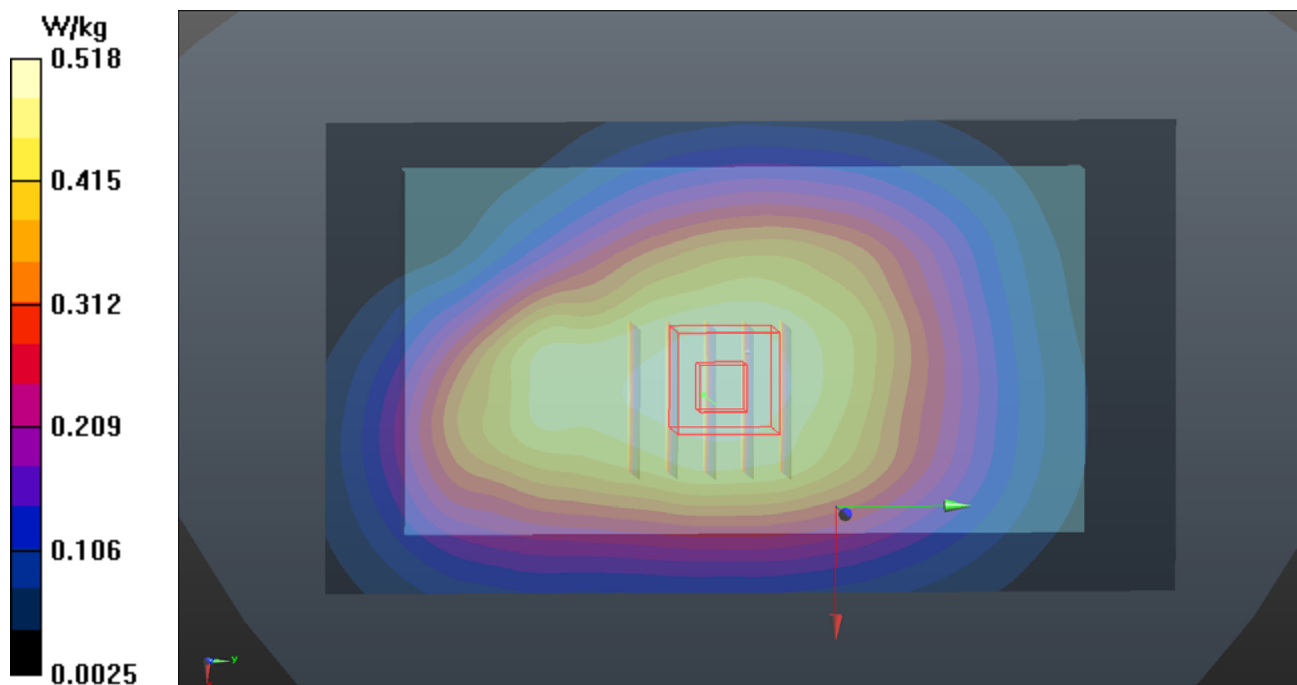
Ambient Temperature : 21.9 °C; Liquid Temperature : 21.6 °C

#### DASY5 Configuration:

- Probe: EX3DV4 - SN3650; ConvF(9.7, 9.7, 9.7); Calibrated: 2014/07/28;
- Sensor-Surface: 2mm (Mechanical Surface Detection)
- Electronics: DAE4 Sn1277; Calibrated: 2014/07/22
- Phantom: Twin SAM Phantom\_1822; Type: QD000P40;
- Measurement SW: DASY52, Version 52.8 (8); SEMCAD X Version 14.6.10 (7331)

- **Area Scan (71x121x1)**: Interpolated grid: dx=1.500 mm, dy=1.500 mm  
Maximum value of SAR (interpolated) = 0.518 W/kg

- **Zoom Scan (5x5x7)/Cube 0**: Measurement grid: dx=8mm, dy=8mm, dz=5mm  
Reference Value = 22.80 V/m; Power Drift = 0.02 dB  
Peak SAR (extrapolated) = 0.567 W/kg  
**SAR(1 g) = 0.449 W/kg; SAR(10 g) = 0.349 W/kg**  
Maximum value of SAR (measured) = 0.516 W/kg



### P10 CDMA2000 BC1\_RTAP 153.6\_Front Face\_1cm\_Ch1175

**DUT: 150318C06**

Communication System: CDMA2000; Frequency: 1908.75 MHz; Duty Cycle: 1:1  
Medium: B18T19N1\_0404 Medium parameters used:  $f = 1909$  MHz;  $\sigma = 1.558$  S/m;  $\epsilon_r = 53.757$ ;  
 $\rho = 1000$  kg/m<sup>3</sup>  
Ambient Temperature : 22.2 °C ; Liquid Temperature : 21.3 °C

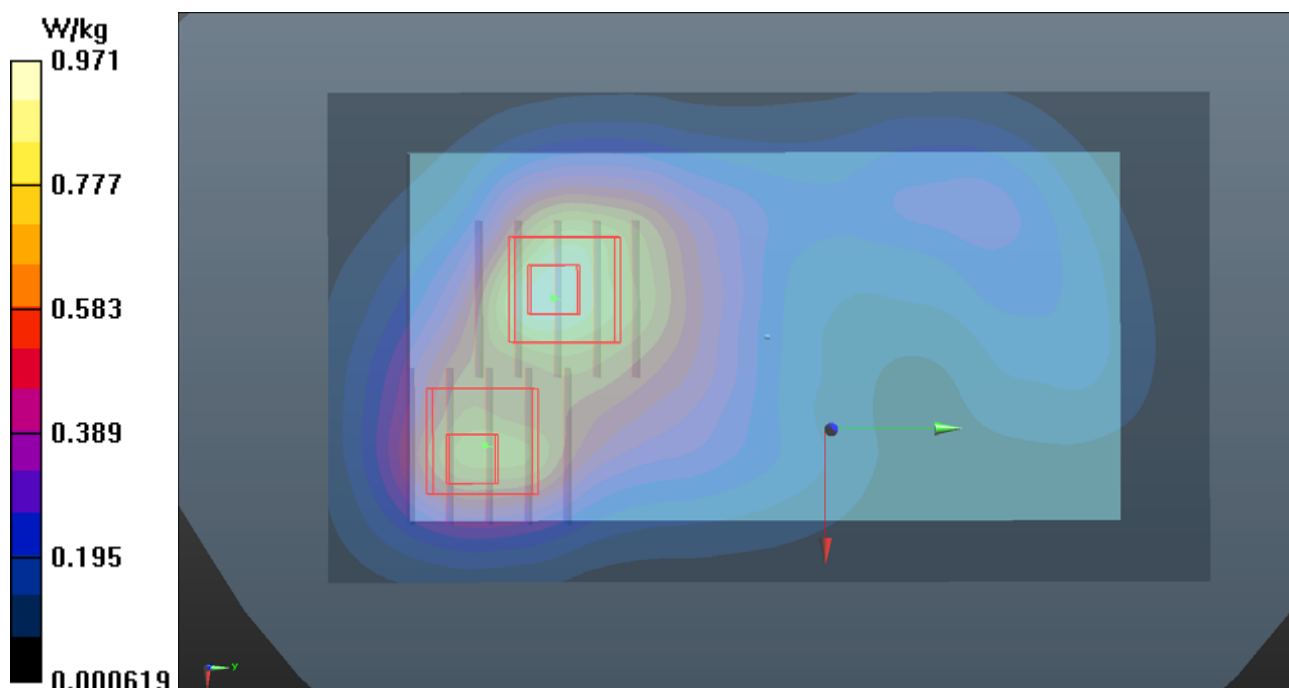
DASY5 Configuration:

- Probe: EX3DV4 - SN3864; ConvF(7.72, 7.72, 7.72); Calibrated: 2014/07/25;
- Sensor-Surface: 2mm (Mechanical Surface Detection)
- Electronics: DAE3 Sn510; Calibrated: 2014/08/26
- Phantom: Twin SAM Phantom\_1653; Type: QD000P40;
- Measurement SW: DASY52, Version 52.8 (8); SEMCAD X Version 14.6.10 (7331)

- **Area Scan (71x121x1):** Interpolated grid: dx=1.500 mm, dy=1.500 mm  
Maximum value of SAR (interpolated) = 0.971 W/kg

- **Zoom Scan (5x5x7)/Cube 0:** Measurement grid: dx=8mm, dy=8mm, dz=5mm  
Reference Value = 13.42 V/m; Power Drift = 0.03 dB  
Peak SAR (extrapolated) = 1.11 W/kg  
**SAR(1 g) = 0.754 W/kg; SAR(10 g) = 0.433 W/kg**  
Maximum value of SAR (measured) = 0.931 W/kg

- **Zoom Scan (5x5x7)/Cube 1:** Measurement grid: dx=8mm, dy=8mm, dz=5mm  
Reference Value = 13.42 V/m; Power Drift = 0.03 dB  
Peak SAR (extrapolated) = 0.950 W/kg  
**SAR(1 g) = 0.552 W/kg; SAR(10 g) = 0.315 W/kg**  
Maximum value of SAR (measured) = 0.722 W/kg



### P11 LTE 4\_QPSK20M\_Rear Face\_1cm\_Ch20300\_1RB\_OS0

#### DUT: 150318C06

Communication System: LTE; Frequency: 1745 MHz; Duty Cycle: 1:1

Medium: B17T18N3\_0329 Medium parameters used:  $f = 1745$  MHz;  $\sigma = 1.493$  S/m;  $\epsilon_r = 52.473$ ;  $\rho = 1000$  kg/m<sup>3</sup>

Ambient Temperature : 22.2 °C ; Liquid Temperature : 21.8 °C

#### DASY5 Configuration:

- Probe: EX3DV4 - SN3864; ConvF(8.02, 8.02, 8.02); Calibrated: 2014/07/25;
- Sensor-Surface: 2mm (Mechanical Surface Detection)
- Electronics: DAE3 Sn510; Calibrated: 2014/08/26
- Phantom: Twin SAM Phantom\_1653; Type: QD000P40;
- Measurement SW: DASY52, Version 52.8 (8); SEMCAD X Version 14.6.10 (7331)

- **Area Scan (71x121x1):** Interpolated grid: dx=1.500 mm, dy=1.500 mm

Maximum value of SAR (interpolated) = 0.822 W/kg

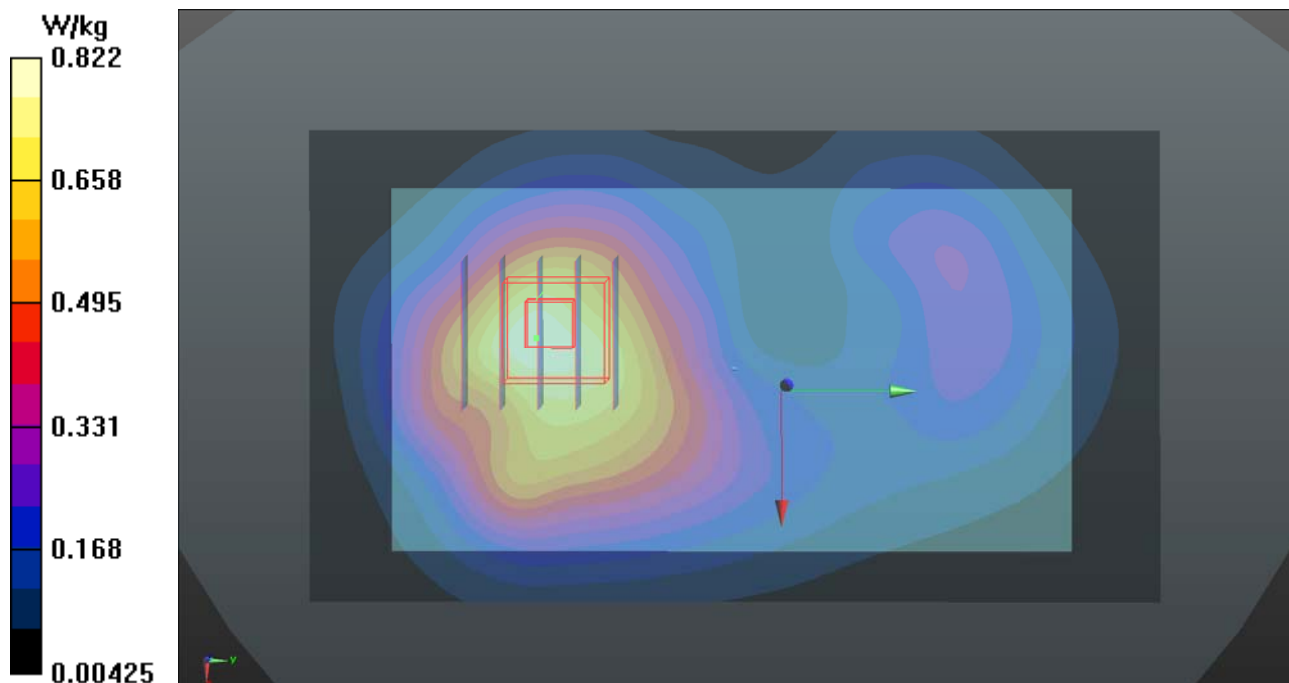
- **Zoom Scan (5x5x7)/Cube 0:** Measurement grid: dx=8mm, dy=8mm, dz=5mm

Reference Value = 12.72 V/m; Power Drift = -0.06 dB

Peak SAR (extrapolated) = 0.885 W/kg

**SAR(1 g) = 0.599 W/kg; SAR(10 g) = 0.390 W/kg**

Maximum value of SAR (measured) = 0.737 W/kg





### P12 LTE 13\_QPSK10M\_Front Face\_1cm\_Ch23230\_1RB\_OS0

**DUT: 150318C06**

Communication System: LTE; Frequency: 782 MHz; Duty Cycle: 1:1

Medium: B07T08N1\_0404 Medium parameters used:  $f = 782 \text{ MHz}$ ;  $\sigma = 0.993 \text{ S/m}$ ;  $\epsilon_r = 54.945$ ;  $\rho = 1000 \text{ kg/m}^3$

Ambient Temperature :  $22.4 \text{ }^\circ\text{C}$  ; Liquid Temperature :  $21.4 \text{ }^\circ\text{C}$

DASY5 Configuration:

- Probe: EX3DV4 - SN3864; ConvF(10.08, 10.08, 10.08); Calibrated: 2014/07/25;
- Sensor-Surface: 2mm (Mechanical Surface Detection)
- Electronics: DAE3 Sn510; Calibrated: 2014/08/26
- Phantom: Twin SAM Phantom\_1653; Type: QD000P40;
- Measurement SW: DASY52, Version 52.8 (8); SEMCAD X Version 14.6.10 (7331)

- **Area Scan (71x121x1):** Interpolated grid:  $dx=1.500 \text{ mm}$ ,  $dy=1.500 \text{ mm}$

Maximum value of SAR (interpolated) =  $0.676 \text{ W/kg}$

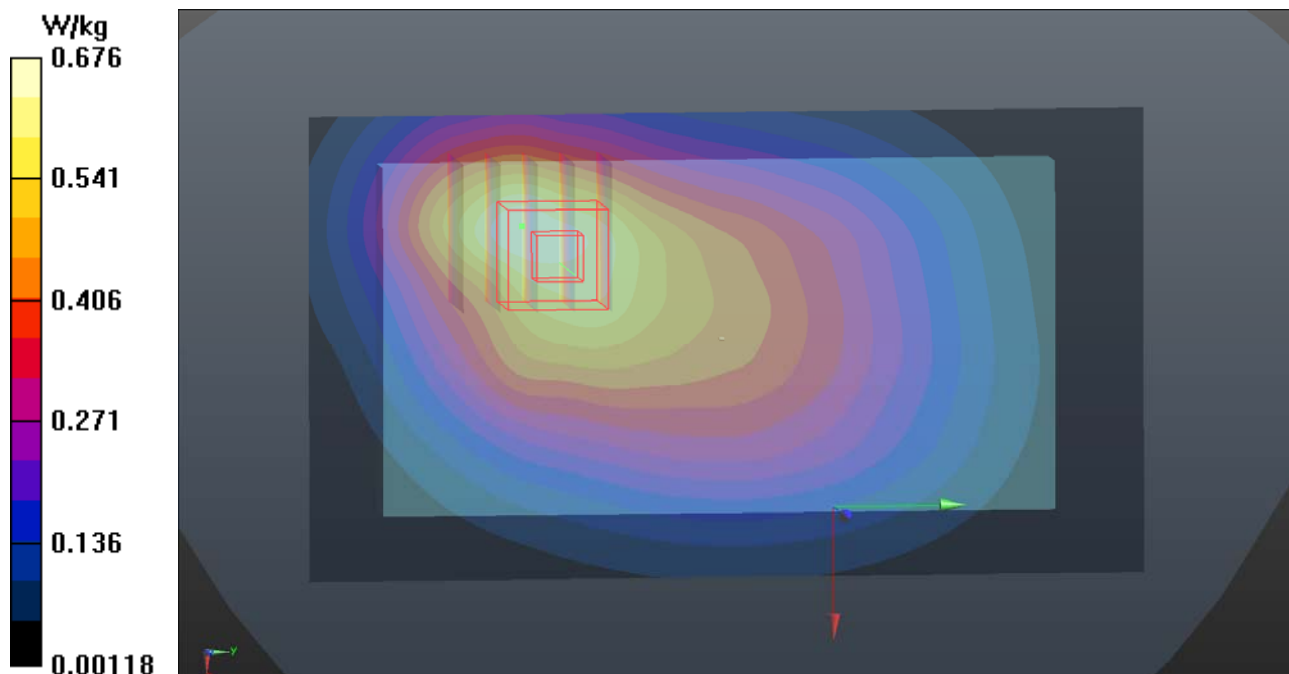
- **Zoom Scan (5x5x7)/Cube 0:** Measurement grid:  $dx=8\text{mm}$ ,  $dy=8\text{mm}$ ,  $dz=5\text{mm}$

Reference Value =  $21.18 \text{ V/m}$ ; Power Drift =  $-0.11 \text{ dB}$

Peak SAR (extrapolated) =  $0.792 \text{ W/kg}$

**SAR(1 g) =  $0.556 \text{ W/kg}$ ; SAR(10 g) =  $0.382 \text{ W/kg}$**

Maximum value of SAR (measured) =  $0.666 \text{ W/kg}$



### P13 2.4G WLAN\_802.11b\_Front Face\_1cm\_Ch6

**DUT: 150318C06**

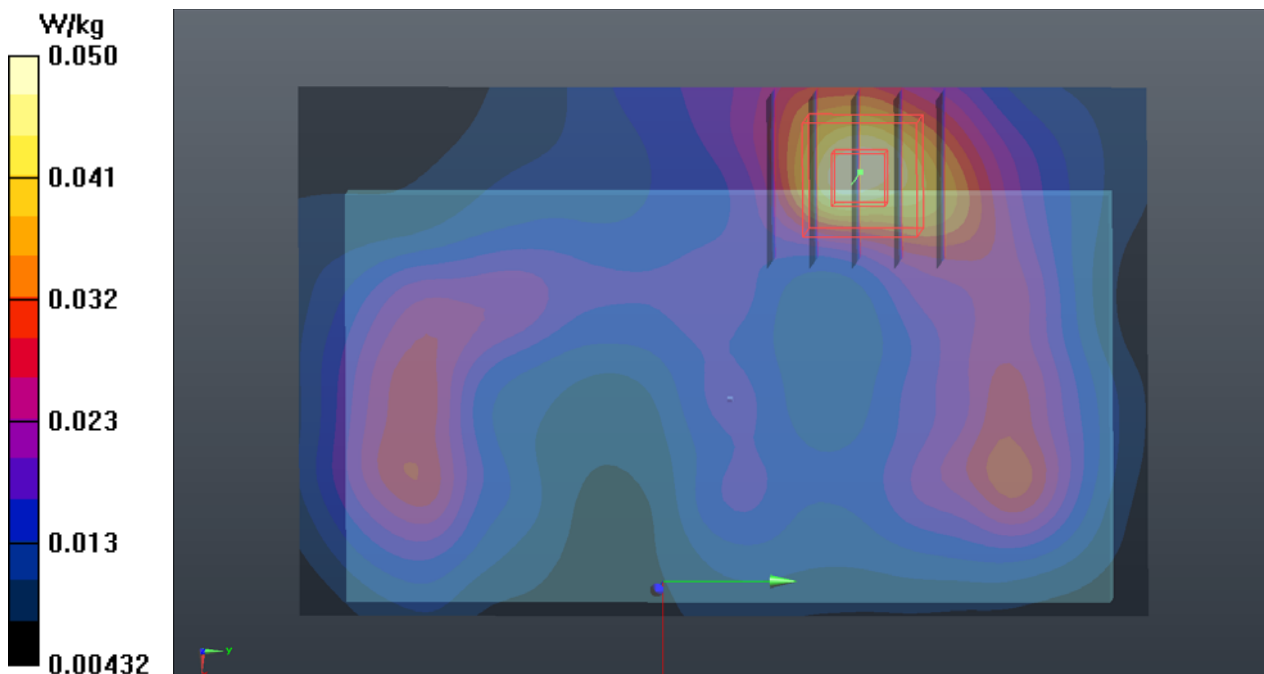
Communication System: WLAN\_2.4G; Frequency: 2437 MHz; Duty Cycle: 1:1  
Medium: B24T25N2\_0331 Medium parameters used:  $f = 2437$  MHz;  $\sigma = 1.966$  S/m;  $\epsilon_r = 53.586$ ;  $\rho = 1000$  kg/m<sup>3</sup>  
Ambient Temperature : 21.9 °C; Liquid Temperature : 21.4 °C

DASY5 Configuration:

- Probe: EX3DV4 - SN3820; ConvF(6.87, 6.87, 6.87); Calibrated: 2014/05/15;
- Sensor-Surface: 2mm (Mechanical Surface Detection)
- Electronics: DAE4 Sn913; Calibrated: 2014/12/15
- Phantom: Twin SAM Phantom\_1823; Type: QD000P40CD;
- Measurement SW: DASY52, Version 52.8 (8); SEMCAD X Version 14.6.10 (7331)

- **Area Scan (91x151x1):** Interpolated grid: dx=1.200 mm, dy=1.200 mm  
Maximum value of SAR (interpolated) = 0.0499 W/kg

- **Zoom Scan (5x5x7)/Cube 0:** Measurement grid: dx=8mm, dy=8mm, dz=5mm  
Reference Value = 2.811 V/m; Power Drift = -0.11 dB  
Peak SAR (extrapolated) = 0.0610 W/kg  
**SAR(1 g) = 0.034 W/kg; SAR(10 g) = 0.020 W/kg**  
Maximum value of SAR (measured) = 0.0460 W/kg



### P14 5.3G WLAN\_802.11a\_Rear Face\_1cm\_Ch60

**DUT: 150318C06**

Communication System: WLAN\_5G; Frequency: 5300 MHz; Duty Cycle: 1:1

Medium: B50T60N3\_0408 Medium parameters used:  $f = 5300$  MHz;  $\sigma = 5.61$  S/m;  $\epsilon_r = 48.949$ ;  $\rho = 1000$  kg/m<sup>3</sup>

Ambient Temperature : 22.0 °C ; Liquid Temperature : 21.4 °C

DASY5 Configuration:

- Probe: EX3DV4 - SN3864; ConvF(4.16, 4.16, 4.16); Calibrated: 2014/07/25;
- Sensor-Surface: 2mm (Mechanical Surface Detection)
- Electronics: DAE3 Sn510; Calibrated: 2014/08/26
- Phantom: Twin SAM Phantom\_1653; Type: QD000P40;
- Measurement SW: DASY52, Version 52.8 (8); SEMCAD X Version 14.6.10 (7331)

- **Area Scan (101x181x1):** Interpolated grid: dx=1.000 mm, dy=1.000 mm

Maximum value of SAR (interpolated) = 0.416 W/kg

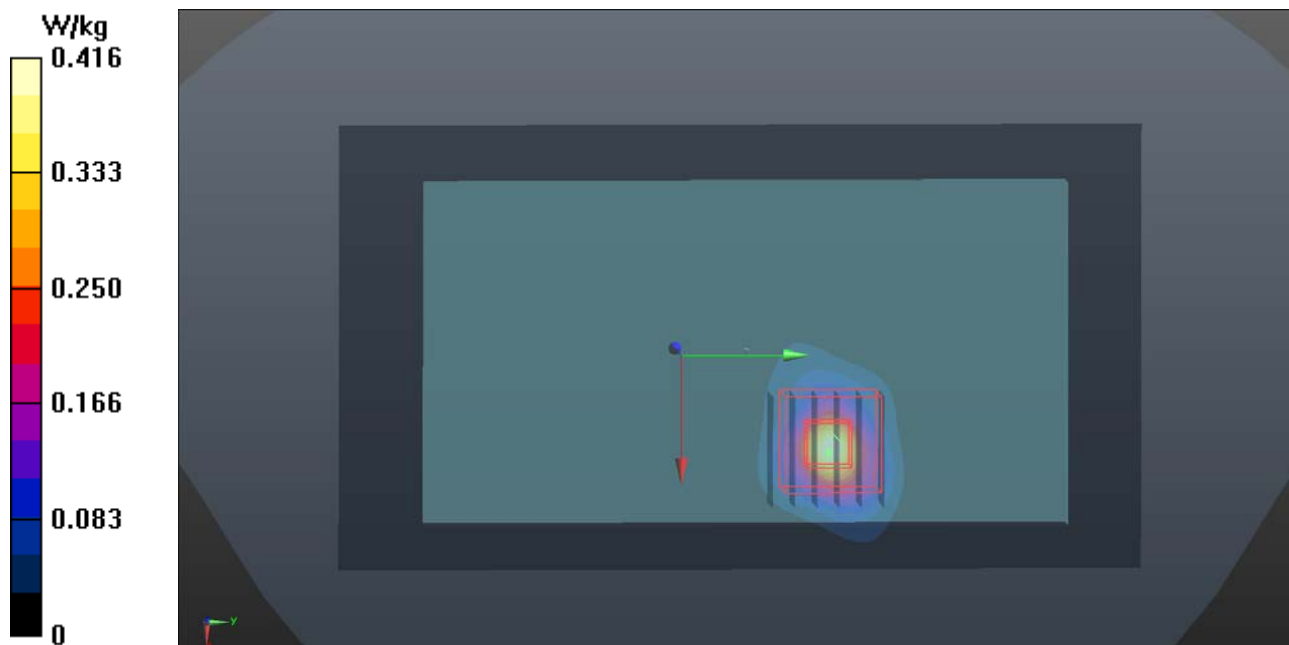
- **Zoom Scan (6x6x12)/Cube 0:** Measurement grid: dx=5mm, dy=5mm, dz=2mm

Reference Value = 1.161 V/m; Power Drift = 0.02 dB

Peak SAR (extrapolated) = 0.852 W/kg

**SAR(1 g) = 0.188 W/kg; SAR(10 g) = 0.055 W/kg**

Maximum value of SAR (measured) = 0.378 W/kg



### P15 5.6G WLAN\_802.11a\_Rear Face\_1cm\_Ch116

**DUT: 150318C06**

Communication System: WLAN\_5G; Frequency: 5580 MHz; Duty Cycle: 1:1

Medium: B50T60N3\_0415 Medium parameters used:  $f = 5580$  MHz;  $\sigma = 5.874$  S/m;  $\epsilon_r = 48.804$ ;  $\rho = 1000$  kg/m<sup>3</sup>

Ambient Temperature : 22.2 °C ; Liquid Temperature : 21.2 °C

DASY5 Configuration:

- Probe: EX3DV4 - SN3864; ConvF(3.77, 3.77, 3.77); Calibrated: 2014/07/25;
- Sensor-Surface: 2mm (Mechanical Surface Detection)
- Electronics: DAE3 Sn510; Calibrated: 2014/08/26
- Phantom: Twin SAM Phantom\_1652; Type: QD000P40;
- Measurement SW: DASY52, Version 52.8 (8); SEMCAD X Version 14.6.10 (7331)

- **Area Scan (121x181x1)**: Interpolated grid: dx=1.000 mm, dy=1.000 mm

Maximum value of SAR (interpolated) = 0.328 W/kg

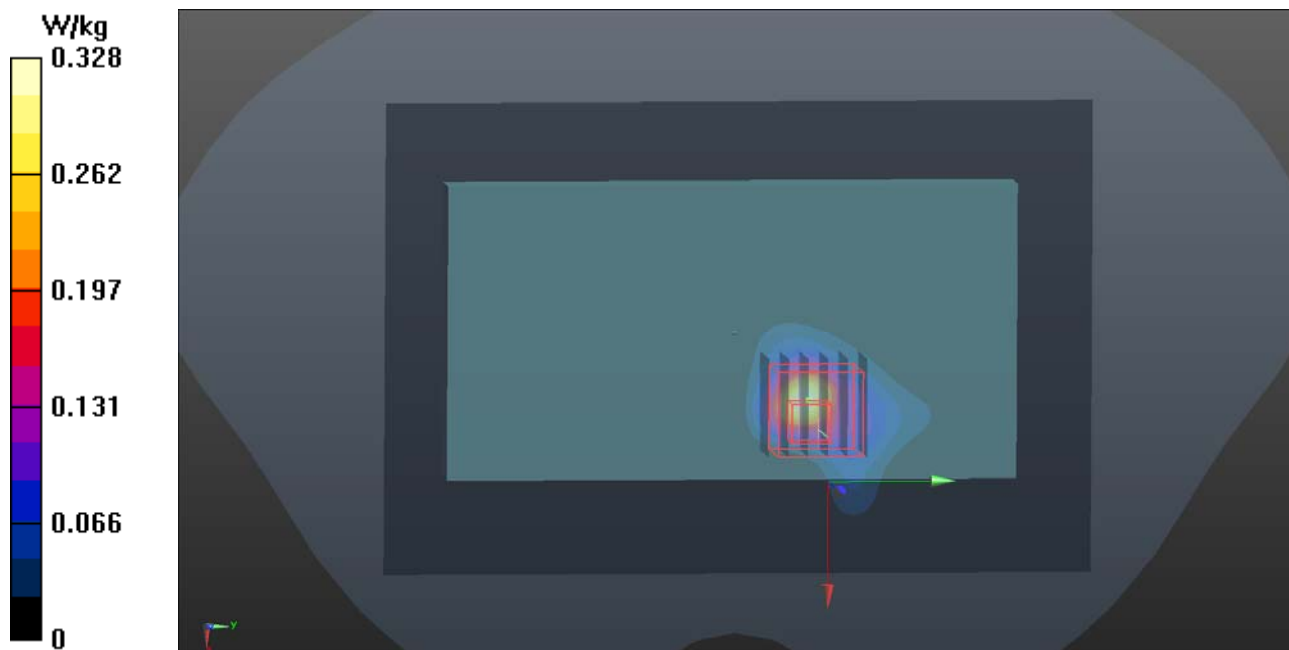
- **Zoom Scan (6x6x12)/Cube 0**: Measurement grid: dx=5mm, dy=5mm, dz=2mm

Reference Value = 2.129 V/m; Power Drift = -0.17 dB

Peak SAR (extrapolated) = 0.717 W/kg

**SAR(1 g) = 0.176 W/kg; SAR(10 g) = 0.050 W/kg**

Maximum value of SAR (measured) = 0.333 W/kg



## P16 5.8G WLAN\_802.11a\_Rear Face\_1cm\_Ch157

**DUT: 150318C06**

Communication System: WLAN\_5G; Frequency: 5785 MHz; Duty Cycle: 1:1

Medium: B50T60N3\_0415 Medium parameters used:  $f = 5785$  MHz;  $\sigma = 6.19$  S/m;  $\epsilon_r = 48.582$ ;  $\rho = 1000$  kg/m<sup>3</sup>

Ambient Temperature : 22.2 °C ; Liquid Temperature : 21.2 °C

DASY5 Configuration:

- Probe: EX3DV4 - SN3864; ConvF(4.01, 4.01, 4.01); Calibrated: 2014/07/25;
- Sensor-Surface: 2mm (Mechanical Surface Detection)
- Electronics: DAE3 Sn510; Calibrated: 2014/08/26
- Phantom: Twin SAM Phantom\_1652; Type: QD000P40;
- Measurement SW: DASY52, Version 52.8 (8); SEMCAD X Version 14.6.10 (7331)

- **Area Scan (121x181x1)**: Interpolated grid: dx=1.000 mm, dy=1.000 mm

Maximum value of SAR (interpolated) = 0.257 W/kg

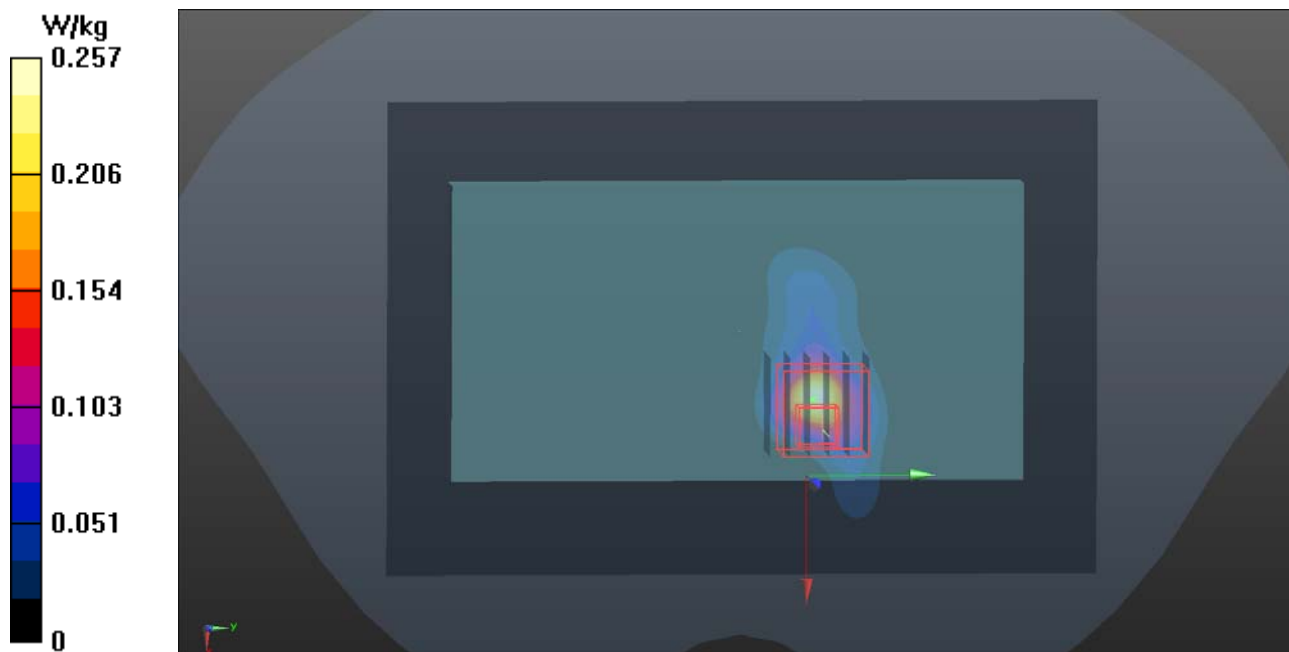
- **Zoom Scan (6x6x12)/Cube 0**: Measurement grid: dx=5mm, dy=5mm, dz=2mm

Reference Value = 2.315 V/m; Power Drift = -0.18 dB

Peak SAR (extrapolated) = 0.422 W/kg

**SAR(1 g) = 0.104 W/kg; SAR(10 g) = 0.030 W/kg**

Maximum value of SAR (measured) = 0.220 W/kg



## P17 CDMA2000 BC0\_RTAP 153.6\_Right Side\_1cm\_Ch384

### DUT: 150318C06

Communication System: CDMA2000; Frequency: 836.52 MHz; Duty Cycle: 1:1

Medium: B08T09N1\_0402 Medium parameters used:  $f = 837$  MHz;  $\sigma = 0.994$  S/m;  $\epsilon_r = 55.355$ ;  $\rho = 1000$  kg/m<sup>3</sup>

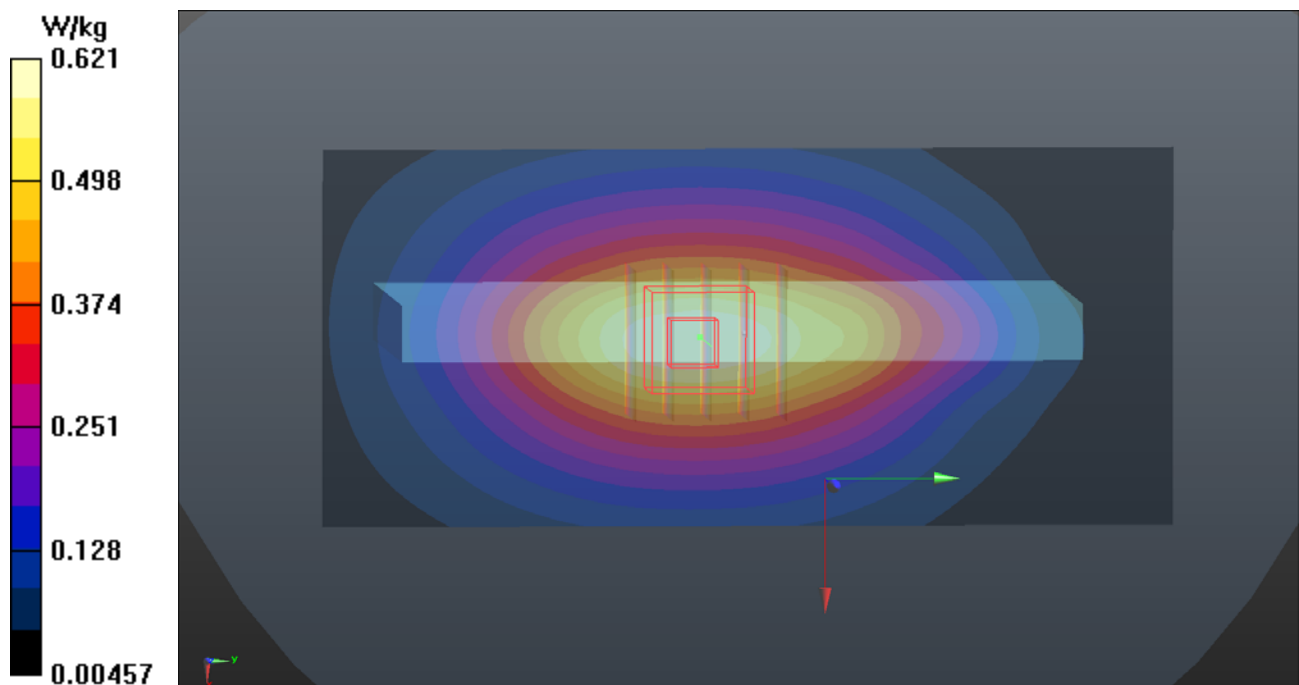
Ambient Temperature : 21.9 °C; Liquid Temperature : 21.6 °C

#### DASY5 Configuration:

- Probe: EX3DV4 - SN3650; ConvF(9.7, 9.7, 9.7); Calibrated: 2014/07/28;
- Sensor-Surface: 2mm (Mechanical Surface Detection)
- Electronics: DAE4 Sn1277; Calibrated: 2014/07/22
- Phantom: Twin SAM Phantom\_1822; Type: QD000P40;
- Measurement SW: DASY52, Version 52.8 (8); SEMCAD X Version 14.6.10 (7331)

- **Area Scan (61x121x1)**: Interpolated grid: dx=1.500 mm, dy=1.500 mm  
Maximum value of SAR (interpolated) = 0.621 W/kg

- **Zoom Scan (5x5x7)/Cube 0**: Measurement grid: dx=8mm, dy=8mm, dz=5mm  
Reference Value = 25.33 V/m; Power Drift = -0.07 dB  
Peak SAR (extrapolated) = 0.719 W/kg  
**SAR(1 g) = 0.520 W/kg; SAR(10 g) = 0.370 W/kg**  
Maximum value of SAR (measured) = 0.625 W/kg



## P18 2.4G WLAN\_802.11b\_Left Side\_1cm\_Ch6

**DUT: 150318C06**

Communication System: WLAN\_2.4G; Frequency: 2437 MHz; Duty Cycle: 1:1

Medium: B24T25N2\_0404 Medium parameters used:  $f = 2437$  MHz;  $\sigma = 1.966$  S/m;  $\epsilon_r = 53.609$ ;  $\rho =$

$1000$  kg/m<sup>3</sup>

Ambient Temperature : 22.3 °C ; Liquid Temperature : 21.3 °C

DASY5 Configuration:

- Probe: EX3DV4 - SN3864; ConvF(7.14, 7.14, 7.14); Calibrated: 2014/07/25;
- Sensor-Surface: 2mm (Mechanical Surface Detection)
- Electronics: DAE3 Sn510; Calibrated: 2014/08/26
- Phantom: Twin SAM Phantom\_1652; Type: QD000P40;
- Measurement SW: DASY52, Version 52.8 (8); SEMCAD X Version 14.6.10 (7331)

- **Area Scan (71x151x1):** Interpolated grid: dx=1.200 mm, dy=1.200 mm

Maximum value of SAR (interpolated) = 0.0972 W/kg

- **Zoom Scan (5x5x7)/Cube 0:** Measurement grid: dx=8mm, dy=8mm, dz=5mm

Reference Value = 4.350 V/m; Power Drift = 0.06 dB

Peak SAR (extrapolated) = 0.136 W/kg

**SAR(1 g) = 0.074 W/kg; SAR(10 g) = 0.040 W/kg**

Maximum value of SAR (measured) = 0.104 W/kg

