



# FCC RF Test Report

APPLICANT : Bullitt Group  
EQUIPMENT : Rugged Smart Phone  
BRAND NAME : CAT  
MODEL NAME : S50  
FCC ID : ZL5S50  
STANDARD : FCC Part 15 Subpart C §15.225  
CLASSIFICATION : (DXX) Low Power Communication Device Transmitter

The testing was completed on Aug. 01, 2014. We, SPORTON INTERNATIONAL INC., would like to declare that the tested sample has been evaluated in accordance with the test procedures and has been in compliance with the applicable technical standards.

The test results in this report apply exclusively to the tested model / sample. Without written approval of SPORTON INTERNATIONAL INC., the test report shall not be reproduced except in full.

Reviewed by: Joseph Lin / Supervisor

Approved by: Jones Tsai / Manager



**SPORTON INTERNATIONAL INC.**

No. 52, Hwa Ya 1<sup>st</sup> Rd., Hwa Ya Technology Park, Kwei-Shan Hsiang, Tao Yuan Hsien, Taiwan, R.O.C.



Table of Contents

1. SUMMARY OF THE TEST RESULT .....4
2. GENERAL INFORMATION.....5
2.1 Applicant ..... 5
2.2 Manufacturer..... 5
2.3 Product Details ..... 5
2.4 Modification of EUT..... 5
2.5 Testing Location ..... 6
2.6 Applicable Standards ..... 6
2.7 Test Modes ..... 6
2.8 Test Configurations ..... 7
2.9 Table for Supporting Units ..... 8
3. CONDUCTED EMISSION TEST .....9
3.1 Measuring Instruments ..... 9
3.2 Test setup ..... 9
3.3 Test Result of Conducted Emission Test..... 9
3.4 AC Power Line Conducted Emissions Measurement ..... 10
4. CONDUCTED TEST ITEMS .....11
4.1 Measuring Instruments ..... 11
4.2 Test Setup ..... 11
4.3 Test Result of Conducted Test Items ..... 11
4.4 20dB Spectrum Bandwidth Measurement ..... 12
4.5 Frequency Stability Measurement ..... 12
5. RADIATED TEST ITEMS .....13
5.1 Measuring Instruments ..... 13
5.2 Test Setup ..... 13
5.3 Test Result of Radiated Test Items ..... 13
5.4 Field Strength of Fundamental Emissions and Mask Measurement ..... 14
5.5 Radiated Emissions Measurement ..... 15
6. LIST OF MEASURING EQUIPMENT .....17
APPENDIX A. SETUP PHOTOGRAPHS
APPENDIX B. TEST RESULTS OF CONDUCTED EMISSION TEST
APPENDIX C. TEST RESULTS OF CONDUCTED TEST ITEMS
C.1. Test Result of 20dB Spectrum Bandwidth
C.2 Test Result of Frequency Stability
APPENDIX D. TEST RESULTS OF RADIATED TEST ITEMS
D.1 Test Result of Field Strength of Fundamental Emissions
D.2 Results of Radiated Emissions (9 kHz~30MHz)
D.3 Results of Radiated Emissions (30MHz~1GHz)





### 1. SUMMARY OF THE TEST RESULT

Applied Standard: 47 CFR FCC Part 15 Subpart C				
Part	FCC Rule	Description of Test	Result	Under Limit
3.1	15.207	AC Power Line Conducted Emissions	Complies	4.10 dB at 13.558MHz
3.2	15.225(a)(b)(c)	Field Strength of Fundamental Emissions	Complies	59.81 dB at 13.560 MHz
3.3	2.1049	20dB Spectrum Bandwidth	Complies	-
3.4	15.225(d) 15.209	Radiated Emissions	Complies	4.53 dB at 40.530 MHz for Quasi-Peak
3.5	15.225(e)	Frequency Stability	Complies	-
3.6	15.203	Antenna Requirements	Complies	-

Test Items	Uncertainty	Remark
AC Power Line Conducted Emissions	±2.26dB	Confidence levels of 95%
Radiated Emissions (30MHz~1000MHz)	±4.70dB	Confidence levels of 95%



## 2. GENERAL INFORMATION

### 2.1 Applicant

**Bullitt Group**

No. 4, The Aquarium, King Street, Reading, RG1 2AN United Kingdom

### 2.2 Manufacturer

**Compal Electronics, INC.**

No. 385, Yangguang St. Neihu District, Taipei City 11491, Taiwan, R.O.C

### 2.3 Product Details

Items	Description
Tx/Rx Frequency Range	13.553 ~ 13.567MHz
Channel Number	1
20dBW	2.64KHz
99%OBW	2.24KHz
Antenna Type	Loop Antenna
Type of Modulation	ASK

**Remark:** The above EUT's information was declared by manufacturer. Please refer to the specifications or user's manual for more detailed description.

### 2.4 Modification of EUT

No modifications are made to the EUT during all test items.



## 2.5 Testing Location

Sporton Lab is accredited to ISO 17025 by Taiwan Accreditation Foundation (TAF code : 1190) and the FCC designation No. TW1022 under the FCC 2.948(e) by Mutual Recognition Agreement (MRA) in FCC Test.

<b>Test Site</b>	SPORTON INTERNATIONAL INC.		
<b>Test Site Location</b>	No. 52, Hwa Ya 1 <sup>st</sup> Rd., Hwa Ya Technology Park, Kwei-Shan Hsiang, Tao Yuan Hsien, Taiwan, R.O.C. TEL: +886-3-3273456 / FAX: +886-3-3284978		
<b>Test Site No.</b>	<b>Sporton Site No.</b>		
	TH02-HY	CO05-HY	03CH07-HY
<b>Test Engineer</b>	Tommy Lee	Cosmo Xu	Eric Shih
<b>Temperature</b>	22~24°C	20~22°C	23~24°C
<b>Relative Humidity</b>	53~55%	45~47%	46~48%

## 2.6 Applicable Standards

According to the specifications of the manufacturer, the EUT must comply with the requirements of the following standards:

- FCC Part 15 Subpart C §15.225
- ANSI C63.4-2003

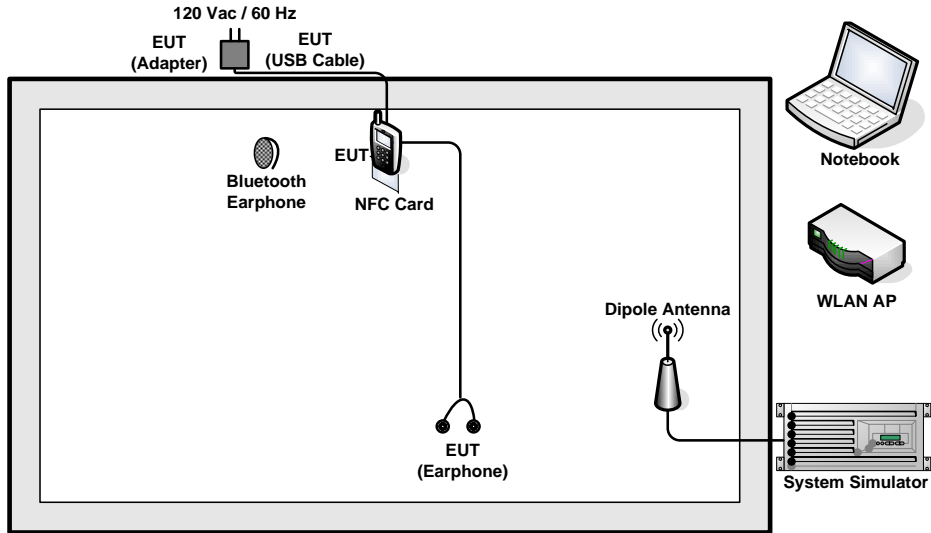
## 2.7 Test Modes

Investigation has been done on all the possible configurations for searching the worst cases. The following table is a list of the test modes shown in this test report.

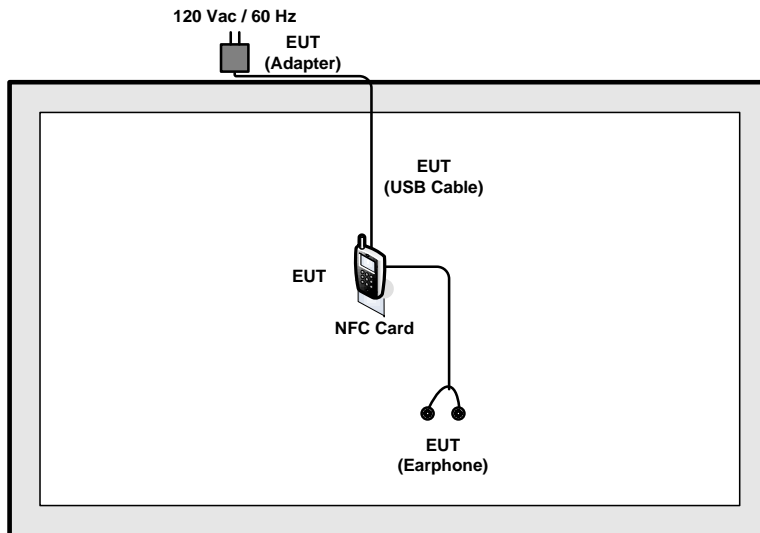
Test Items	
AC Power Line Conducted Emissions	Field Strength of Fundamental Emissions
20dB Spectrum Bandwidth	Frequency Stability
Radiated Emissions 9kHz~30MHz	Radiated Emissions 30MHz~1GHz
<b>Note:</b>	
1. The EUT was programmed to be in continuously transmitting mode.	
2. The ancillary equipment, NFC card, is used to make the EUT (NFC) continuously transmit at 13.56MHz and is placed around 3 cm gap to the EUT.	

## 2.8 Test Configurations

### <AC Conducted Emissions>



### < For Fundamental Emissions and Mask and Radiated Emissions Measurement >





2.9 Table for Supporting Units

Support Unit	Manufacturer	Model	FCC ID
System Simulator	R&S	CMU 200	N/A
WLAN AP	D-Link	DIR-628	KA2DIR628A2
Bluetooth Earphone	Sony Ericsson	MW600	PY70DA2029
Notebook	DELL	Latitude E6320	FCC DoC/ Contains FCC ID: QDS-BRCM1054
NFC Card	Metro Taipei	Easy Card	N/A
SD Card	SanDisk	MicroSD HC	FCC DoC

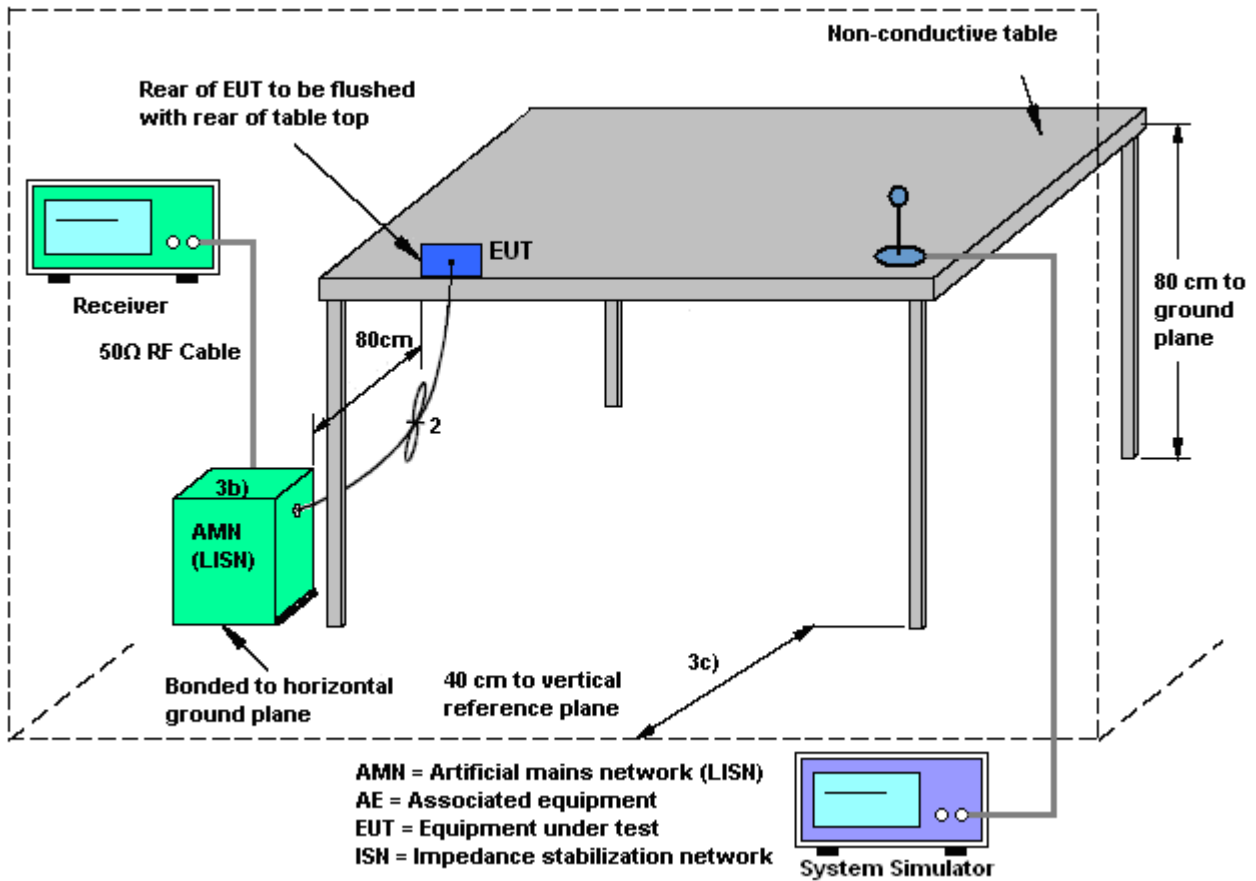


### 3. CONDUCTED EMISSION TEST

#### 3.1 Measuring Instruments

See list of measuring instruments of this test report.

#### 3.2 Test setup



#### 3.3 Test Result of Conducted Emission Test

Please refer to Appendix B.



### 3.4 AC Power Line Conducted Emissions Measurement

#### 3.4.1 Limit

For equipment that is designed to be connected to the public utility (AC) power line, the radio frequency voltage that is conducted back onto the AC power line on any frequency or frequencies within the band 150 kHz to 30 MHz shall not exceed the limits in the following table.

Frequency of Emission (MHz)	Conducted Limit (dBµV)	
	Quasi-Peak	Average
0.15-0.5	66 to 56*	56 to 46*
0.5-5	56	46
5-30	60	50

\*Decreases with the logarithm of the frequency.

#### 3.4.2 Test Procedures

1. The EUT was placed 0.4 meter from the conducting wall of the shielding room, and it was kept at least 80 centimeters from any other grounded conducting surface.
2. Connect EUT to the power mains through a line impedance stabilization network (LISN).
3. All the support units are connecting to the other LISN.
4. The LISN provides 50 ohm coupling impedance for the measuring instrument.
5. The FCC states that a 50 ohm, 50 microhenry LISN should be used.
6. Both sides of AC line were checked for maximum conducted interference.
7. The frequency range from 150 kHz to 30 MHz was searched.
8. Set the test-receiver system to Peak Detect Function and specified bandwidth (IF bandwidth = 9kHz) with Maximum Hold Mode.

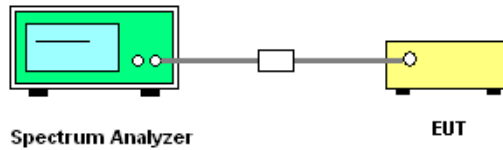
## 4. CONDUCTED TEST ITEMS

### 4.1 Measuring Instruments

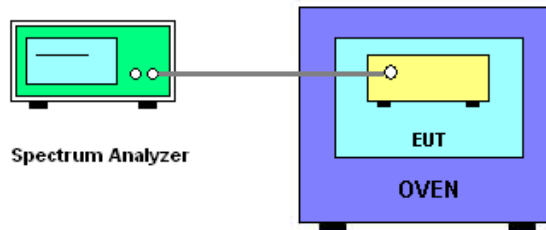
See list of measuring instruments of this test report.

### 4.2 Test Setup

#### 4.2.1 20dB Spectrum Bandwidth



#### 4.2.2 Frequency Stability



### 4.3 Test Result of Conducted Test Items

Please refer to Appendix C.



## 4.4 20dB Spectrum Bandwidth Measurement

### 4.4.1 Limit

Intentional radiators must be designed to ensure that the 20 dB bandwidth of the emissions in the specific band 13.553~13.567MHz

### 4.4.2 Test Procedures

1. The transmitter output (antenna port) was connected to the spectrum analyzer in peak Max hold mode.
2. The resolution bandwidth of 1 kHz and the video bandwidth of 3 kHz were used.
3. Measured the spectrum width with power higher than 20dB below carrier.

## 4.5 Frequency Stability Measurement

### 4.5.1 Limit

The frequency tolerance of the carrier signal shall be maintained within +/- 0.01% (100ppm) of the operating frequency over a temperature variation of -20 degrees to +50 degrees C at normal supply voltage, and for a variation in the primary supply voltage from 85% to 115% of the rated supply voltage at a temperature of 20 degrees C. For battery operated equipment, the equipment tests shall be performed using a new battery.

### 4.5.2 Test Procedures

1. The transmitter output (antenna port) was connected to the spectrum analyzer.
2. EUT have transmitted signal and fixed channelize.
3. Set the spectrum analyzer span to view the entire emissions bandwidth.
4. Set RBW = 1 kHz, VBW = 3 kHz with peak detector and maxhold settings.
5. The fc is declaring of channel frequency. Then the frequency error formula is  $(f_c - f) / f_c \times 10^6$  ppm and the limit is less than  $\pm 100$ ppm.
6. Extreme temperature rule is -20°C~50°C.

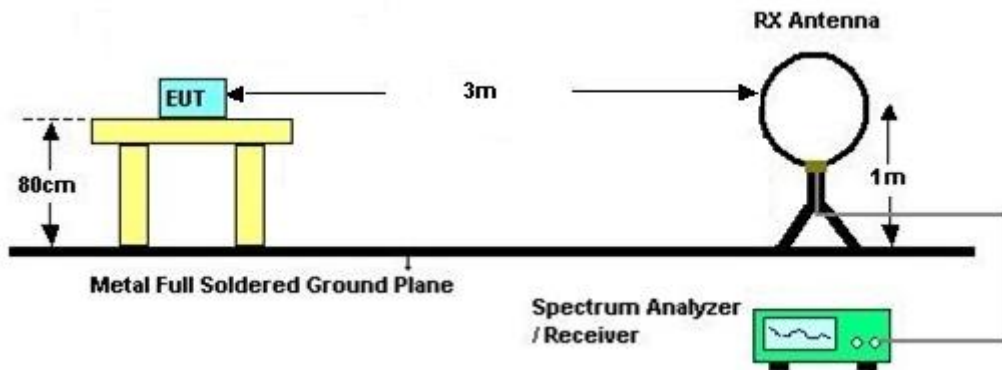
## 5. RADIATED TEST ITEMS

### 5.1 Measuring Instruments

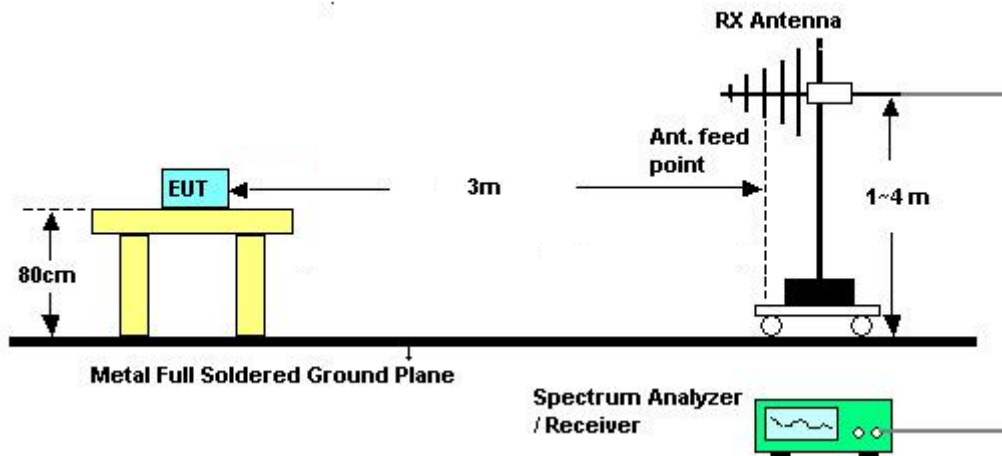
See list of measuring instruments of this test report.

### 5.2 Test Setup

#### 5.2.1 For radiated emissions below 30MHz



#### 5.2.2 For radiated emissions above 30MHz



### 5.3 Test Result of Radiated Test Items

Please refer to Appendix D.



5.4 Field Strength of Fundamental Emissions and Mask Measurement

5.4.1 Limit

Rules and specifications	CFR 47 Part 15 section 15.225(a)-(d)			
Description	Compliance with the spectrum mask is tested using a spectrum analyzer with RBW set to a 9kHz for the band 13.553~13.567MHz			
Freq. of Emission (MHz)	Field Strength (µV/m) at 30m	Field Strength (dBµV/m) at 30m	Field Strength (dBµV/m) at 10m	Field Strength (dBµV/m) at 3m
1.705~13.110	30	29.5	48.58	69.5
13.110~13.410	106	40.5	59.58	80.5
13.410~13.553	334	50.5	69.58	90.5
13.553~13.567	15848	84.0	103.08	124.0
13.567~13.710	334	50.5	69.58	90.5
13.710~14.010	106	40.5	59.58	80.5
14.010~30.000	30	29.5	48.58	69.5

5.4.2 Test Procedures

1. Configure the EUT according to ANSI C63.4. The EUT was placed on the top of the turntable 0.8 meter above ground. The phase center of the loop receiving antenna mounted antenna tower was placed 3 meters far away from the turntable.
2. Power on the EUT and all the supporting units. The turntable was rotated by 360 degrees to determine the position of the highest radiation.
3. The height of the receiving antenna was fixed at one meter above ground to find the maximum emissions field strength.
4. For Fundamental emissions, use the receiver to measure QP reading.
5. When the radiated emissions limits are expressed in terms of the average value of the emissions, and pulsed operation is employed, the measurement field strength shall be determined by averaging over one complete pulse train, including blanking intervals, as long as the pulse train does not exceed 0.1 seconds. As an alternative (provided the transmitter operates for longer than 0.1 seconds) or in cases where the pulse train exceeds 0.1 seconds, the measured field strength shall be determined from the average absolute voltage during a 0.1 second interval during which the field strength is at its maximum value.
6. Compliance with the spectrum mask is tested using a spectrum analyzer with RBW set to a 9kHz for the band 13.553~13.567MHz.

Note: Emission level (dBµV/m) = 20 log Emission level (µV/m).



## 5.5 Radiated Emissions Measurement

### 5.5.1 Limit

The field strength of any emissions which appear outside of 13.553~13.567MHz band shall not exceed the general radiated emissions limits.

Frequencies (MHz)	Field Strength ( $\mu\text{V/m}$ )	Measurement Distance (meters)
0.009~0.490	2400/F(kHz)	300
0.490~1.705	24000/F(kHz)	30
1.705~30.0	30	30
30~88	100	3
88~216	150	3
216~960	200	3
Above 960	500	3

### 5.5.2 Measuring Instrument Setting

The following table is the setting of receiver.

Receiver Parameter	Setting
Attenuation	Auto
Frequency Range: 9kHz~150kHz	RBW 200Hz for QP
Frequency Range: 150kHz~30MHz	RBW 9kHz for QP
Frequency Range: 30MHz~1000MHz	RBW 120kHz for Peak

**Note:** The emission limits shown in the above table are based on measurements employing a CISPR quasi-peak detector except for the frequency bands 9-90 kHz, 110-490 kHz. Radiated emission limits in these two bands are based on measurements employing an average detector.



### 5.5.3 Test Procedures

1. Configure the EUT according to ANSI C63.4. The EUT was placed on the top of the turntable 0.8 meter above ground. The phase center of the receiving antenna mounted on the top of a height-variable antenna tower was placed 3 meters far away from the turntable.
2. Power on the EUT and all the supporting units. The turntable was rotated by 360 degrees to determine the position of the highest radiation.
3. The height of the broadband receiving antenna was varied between one meter and four meters above ground to find the maximum emissions field strength of both horizontal and vertical polarization.
4. For each suspected emissions, the antenna tower was scan (from 1 M to 4 M) and then the turntable was rotated (from 0 degree to 360 degrees) to find the maximum reading.
5. Set the test-receiver system to Peak or CISPR quasi-peak Detect Function with specified bandwidth under Maximum Hold Mode.
6. When the radiated emissions limits are expressed in terms of the average value of the emissions, and pulsed operation is employed, the measurement field strength shall be determined by averaging over one complete pulse train, including blanking intervals, as long as the pulse train does not exceed 0.1 seconds. As an alternative (provided the transmitter operates for longer than 0.1 seconds) or in cases where the pulse train exceeds 0.1 seconds, the measured field strength shall be determined from the average absolute voltage during a 0.1 second interval during which the field strength is at its maximum value.
7. In case the emission is lower than 30MHz, loop antenna has to be used for measurement and the recorded data should be QP measured by receiver. Antenna Requirements

### 5.5.4 Limit

Except for special regulations, the Low-power Radio-frequency Devices must not be equipped with any jacket for installing an antenna with extension cable. An intentional radiator shall be designed to ensure that no antenna other than that furnished by the responsible party shall be used with the device. The use of a permanently attached antenna or of an antenna that uses a unique coupling to the intentional radiator shall be considered sufficient to comply with the provisions of this Section. The manufacturer may design the unit so that the user can replace a broken antenna, but the use of a standard antenna jack or electrical connector is prohibited.

### 5.5.5 Antenna Anti-Replacement Construction

An embedded-in antenna design is used.



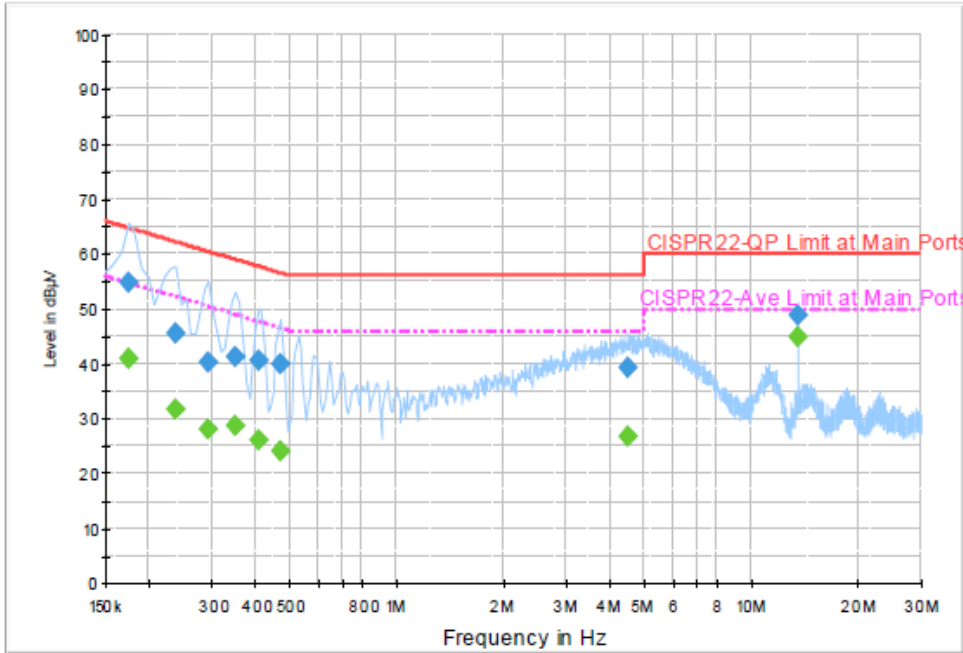
**6. LIST OF MEASURING EQUIPMENT**

Instrument	Manufacturer	Model No.	Serial No.	Characteristics	Calibration Date	Test Date	Due Date	Remark
Spectrum Analyzer	Rohde & Schwarz	FSP40	100055	9kHz~40GHz	Jun. 09, 2014	Aug. 01, 2014	Jun. 08, 2015	Conducted (TH02-HY)
Thermal Chamber	Ten Billion	TTH-D3SP	TBN-930701	N/A	Jul. 17, 2014	Aug. 01, 2014	Jul. 16, 2015	Conducted (TH02-HY)
EMI Test Receiver	Rohde & Schwarz	ESCS 30	100356	9kHz ~ 2.75GHz	Nov. 15, 2013	Jul. 30, 2014	Nov. 14, 2014	Conduction (CO05-HY)
LISN (for auxiliary equipment)	Rohde & Schwarz	ENV216	100081	9kHz ~ 30MHz	Dec. 12, 2013	Jul. 30, 2014	Dec. 11, 2014	Conduction (CO05-HY)
LISN	Rohde & Schwarz	ENV216	100080	9kHz ~ 30MHz	Dec. 04, 2013	Jul. 30, 2014	Dec. 03, 2014	Conduction (CO05-HY)
AC Power Source	ChainTek	APC-1000W	N/A	N/A	N/A	Jul. 30, 2014	N/A	Conduction (CO05-HY)
EMI Test Receiver	Rohde & Schwarz	ESCI 7	100724	9kHz~7GHz	Sep. 06, 2013	Jul. 31, 2014	Sep. 05, 2014	Radiation (03CH07-HY)
Loop Antenna	Rohde & Schwarz	HFH2-Z2	860004/0001	9 kHz~30 MHz	Jul. 28, 2014	Jul. 31, 2014	Jul. 27, 2015	Radiation (03CH07-HY)
Bilog Antenna	Schaffner	CBL6111C	2726	30MHz ~ 1GHz	Oct. 10, 2013	Jul. 31, 2014	Oct. 09, 2014	Radiation (03CH07-HY)
Preamplifier	COM-POWER	PA-103A	161241	10 MHz ~ 1000MHz	Mar. 17, 2014	Jul. 31, 2014	Mar. 16, 2015	Radiation (03CH07-HY)
Turn Table	ChainTek	ChainTek 3000	N/A	0 ~ 360 degree	N/A	Jul. 31, 2014	N/A	Radiation (03CH07-HY)
Antenna Mast	ChainTek	ChainTek 3000	N/A	N/A	N/A	Jul. 31, 2014	N/A	Radiation (03CH07-HY)



## Appendix B. Test Results of Conducted Emission Test

Test Mode :	NFC Tx	Test Voltage :	120Vac / 60Hz
Function Type :	GSM850 Idle + Bluetooth Link + WLAN Link + Earphone + USB Cable (Charging from Adapter) + NFC Tx		



### Final Result : Quasi-Peak

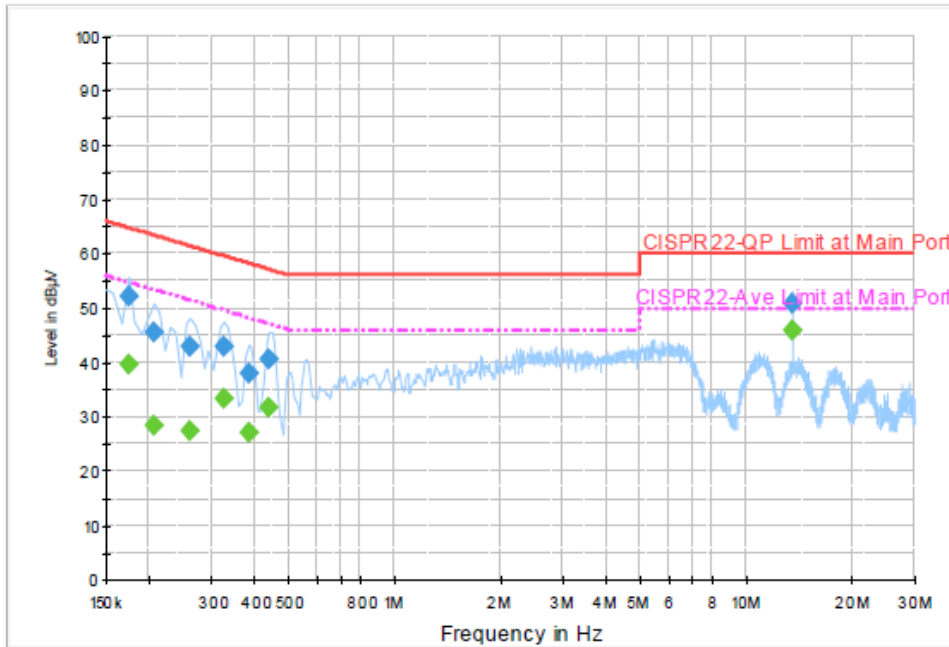
Frequency (MHz)	Quasi-Peak (dBµV)	Filter	Line	Corr. (dB)	Margin (dB)	Limit (dBµV)
0.174000	54.9	Off	L1	19.3	9.9	64.8
0.238000	45.6	Off	L1	19.4	16.6	62.2
0.294000	40.3	Off	L1	19.3	20.1	60.4
0.350000	41.2	Off	L1	19.3	17.8	59.0
0.406000	40.6	Off	L1	19.4	17.1	57.7
0.470000	39.8	Off	L1	19.4	16.7	56.5
4.486000	39.2	Off	L1	19.6	16.8	56.0
13.558000	48.9	Off	L1	19.8	11.1	60.0

### Final Result : Average

Frequency (MHz)	Average (dBµV)	Filter	Line	Corr. (dB)	Margin (dB)	Limit (dBµV)
0.174000	41.0	Off	L1	19.3	13.8	54.8
0.238000	31.8	Off	L1	19.4	20.4	52.2
0.294000	28.2	Off	L1	19.3	22.2	50.4
0.350000	28.7	Off	L1	19.3	20.3	49.0
0.406000	26.1	Off	L1	19.4	21.6	47.7
0.470000	24.1	Off	L1	19.4	22.4	46.5
4.486000	26.6	Off	L1	19.6	19.4	46.0
13.558000	44.7	Off	L1	19.8	5.3	50.0



Test Mode :	NFC Tx	Test Voltage :	120Vac / 60Hz
Function Type :	GSM850 Idle + Bluetooth Link + WLAN Link + Earphone + USB Cable (Charging from Adapter) + NFC Tx		



**Final Result : Quasi-Peak**

Frequency (MHz)	Quasi-Peak (dBµV)	Filter	Line	Corr. (dB)	Margin (dB)	Limit (dBµV)
0.174000	52.3	Off	N	19.3	12.5	64.8
0.206000	45.5	Off	N	19.3	17.9	63.4
0.262000	42.8	Off	N	19.4	18.6	61.4
0.326000	42.9	Off	N	19.4	16.7	59.6
0.382000	37.8	Off	N	19.4	20.4	58.2
0.438000	40.5	Off	N	19.4	16.6	57.1
13.558000	51.0	Off	N	19.8	9.0	60.0

**Final Result : Average**

Frequency (MHz)	Average (dBµV)	Filter	Line	Corr. (dB)	Margin (dB)	Limit (dBµV)
0.174000	39.6	Off	N	19.3	15.2	54.8
0.206000	28.4	Off	N	19.3	25.0	53.4
0.262000	27.4	Off	N	19.4	24.0	51.4
0.326000	33.4	Off	N	19.4	16.2	49.6
0.382000	27.1	Off	N	19.4	21.1	48.2
0.438000	31.7	Off	N	19.4	15.4	47.1
13.558000	45.9	Off	N	19.8	4.1	50.0

Remark: 13.558MHz is the NFC RF fundamental signal.



# Appendix C. Test Results of Conducted Test Items

## C.1 Test Result of 20dB Spectrum Bandwidth

Test mode	NFC Tx	Test Frequency (MHz)	13.56
Date: 1.AUG.2014 14:44:20		Date: 1.AUG.2014 14:56:06	
<b>20dB Bandwidth (kHz)</b>	2.64	<b>99% Occupied BW(kHz)</b>	2.24
<b>Frequency range (MHz)</b>	$f_L > 13.553$	13.55902	<b>Test Result</b>
	$f_H < 13.567$	13.56166	<b>Complies</b>



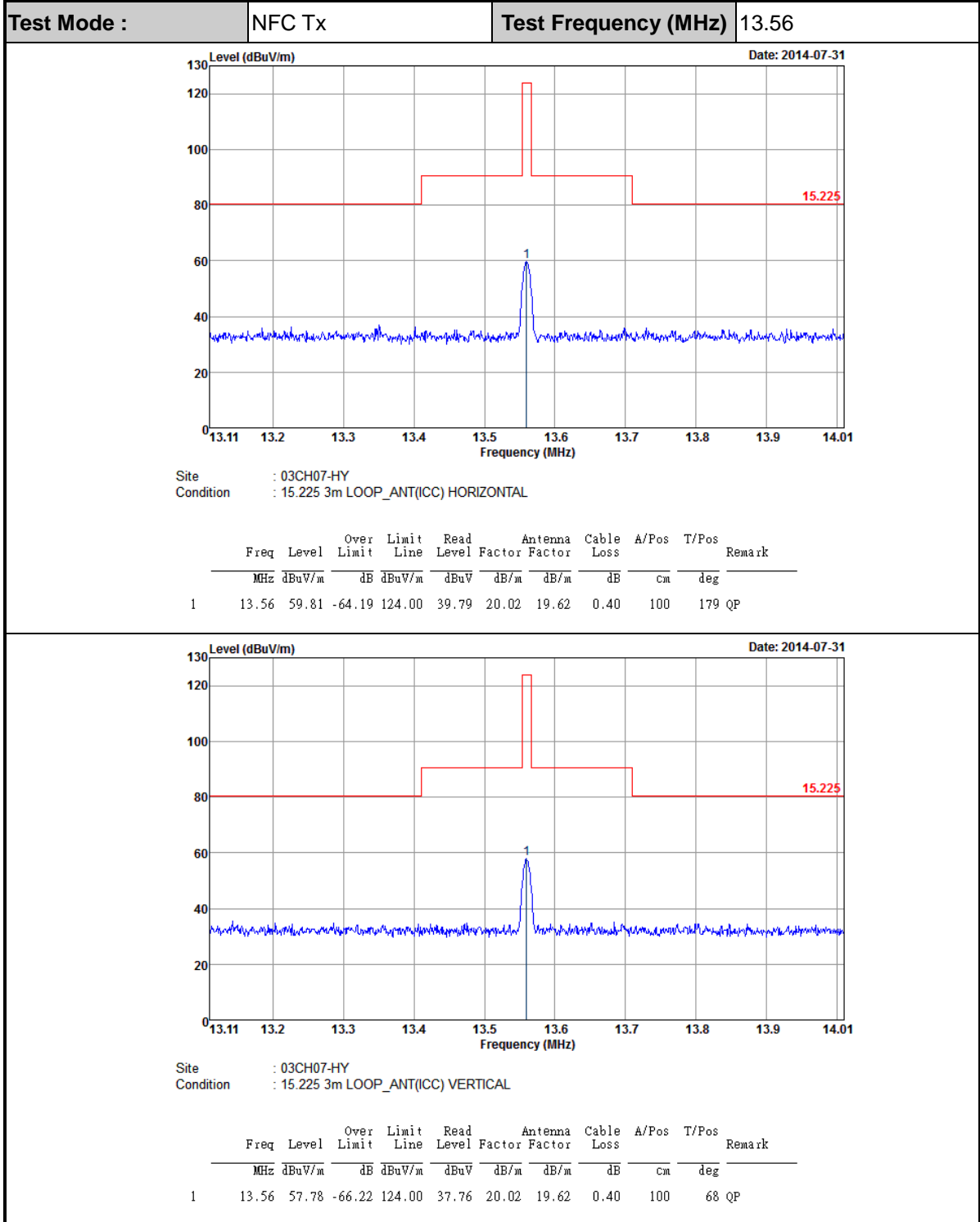
C.2 Test Result of Frequency Stability

Voltage vs. Frequency Stability		Temperature vs. Frequency Stability	
Voltage (Vac)	Measurement Frequency (MHz)	Temperature (°C)	Measurement Frequency (MHz)
3.8	13.560330	-20	13.560380
3.4	13.560320	-10	13.560380
4.2	13.560330	0	13.560370
		10	13.560360
		20	13.560340
		30	13.560330
		40	13.560340
		50	13.560320
Max.Deviation (MHz)	0.000330	Max.Deviation (MHz)	0.000380
Max.Deviation (ppm)	24.3363	Max.Deviation (ppm)	28.0236
Limit	FS < ±100 ppm	Limit	FS < ±100 ppm
Test Result	PASS	Test Result	PASS



# Appendix D. Test Results of Radiated Test Items

## D.1 Test Result of Field Strength of Fundamental Emissions



**Note:** All NFC's spurious emissions are below 20dB of limits.



D.2 Results of Radiated Emissions (9 kHz~30MHz)

Test Mode :		NFC Tx			Polarization :		Horizontal		
Frequency ( MHz )	Level ( dBµV/m )	Over Limit ( dB )	Limit Line ( dBµV/m )	Read Level ( dBµV )	Antenna Factor ( dB )	Cable Loss ( dB )	Ant Pos ( cm )	Table Pos ( deg )	Remark
0.01798	31.82	-90.69	122.51	11.25	20.28	0.29	-	-	Average
0.06018	33.68	-78.34	112.02	13.32	20.07	0.29	-	-	Average
0.10198	21.29	-86.14	107.43	0.95	20.05	0.29	-	-	QP
0.1204	29.51	-76.48	105.99	9.2	20.02	0.29	-	-	Average
0.36182	38.48	-57.95	96.43	18.27	19.92	0.29	-	-	Average
1.729	47.6	-22.4	70	27.33	19.94	0.33	100	21	QP
10.632	35.84	-34.16	70	15.71	19.74	0.39	-	-	QP
13.56	58.53	-11.47	70	38.51	19.62	0.4	-	-	QP
20.203	37.03	-32.97	70	16.57	20.03	0.43	-	-	QP
28.105	35.76	-34.24	70	14.94	20.32	0.5	-	-	QP

Test Mode :		NFC Tx			Polarization :		Vertical		
Frequency ( MHz )	Level ( dBµV/m )	Over Limit ( dB )	Limit Line ( dBµV/m )	Read Level ( dBµV )	Antenna Factor ( dB )	Cable Loss ( dB )	Ant Pos ( cm )	Table Pos ( deg )	Remark
0.01155	32.52	-93.83	126.35	11.95	20.28	0.29	-	-	Average
0.07881	22.37	-87.3	109.67	2.01	20.07	0.29	-	-	Average
0.09676	22.14	-85.75	107.89	1.8	20.05	0.29	-	-	QP
0.12044	25.63	-80.36	105.99	5.32	20.02	0.29	-	-	Average
0.45056	43.96	-50.57	94.53	23.77	19.9	0.29	-	-	Average
1.489	49.5	-14.65	64.15	29.26	19.93	0.31	100	308	QP
11.008	36.48	-33.52	70	16.36	19.73	0.39	-	-	QP
13.56	57.69	-12.31	70	37.67	19.62	0.4	-	-	QP
21.274	37.46	-32.54	70	16.91	20.12	0.43	-	-	QP
27.93	36.01	-33.99	70	15.19	20.32	0.5	-	-	QP



**Note:**

1. 13.56 MHz is fundamental signal which can be ignored.
2. The amplitude of spurious emissions which are attenuated by more than 20dB below the permissible value has no need to be reported.
3. Distance extrapolation factor =  $40 \log (\text{specific distance} / \text{test distance})$  (dB);
4. Limit line = specific limits (dB $\mu$ V) + distance extrapolation factor.





D.3 Results of Radiated Emissions (30MHz~1GHz)

Test Mode :	NFC Tx	Polarization :	Horizontal
-------------	--------	----------------	------------

Frequency ( MHz )	Level ( dBμV/m )	Over Limit ( dB )	Limit Line ( dBμV/m )	Read Level ( dBμV )	Antenna Factor ( dB )	Cable Loss ( dB )	Preamp Factor ( dB )	Ant Pos ( cm )	Table Pos ( deg )	Remark
31.08	34.32	-5.68	40	46.96	18.28	0.54	31.46	125	187	Peak
67.8	26.04	-13.96	40	50.24	6.24	0.82	31.26	-	-	Peak
244.11	28.35	-17.65	46	46.02	11.8	1.53	31	-	-	Peak
459.6	19.91	-26.09	46	30.99	17.4	2.32	30.8	-	-	Peak
622.7	20.65	-25.35	46	28.19	20.25	2.76	30.55	-	-	Peak
736.1	24.45	-21.55	46	29.7	22.12	3.03	30.4	-	-	Peak

Test Mode :	NFC Tx	Polarization :	Vertical
-------------	--------	----------------	----------

Frequency ( MHz )	Level ( dBμV/m )	Over Limit ( dB )	Limit Line ( dBμV/m )	Read Level ( dBμV )	Antenna Factor ( dB )	Cable Loss ( dB )	Preamp Factor ( dB )	Ant Pos ( cm )	Table Pos ( deg )	Remark
40.53	35.47	-4.53	40	52.74	13.3	0.63	31.2	185	307	Peak
67.8	29.35	-10.65	40	53.55	6.24	0.82	31.26	-	-	Peak
244.11	23.11	-22.89	46	40.78	11.8	1.53	31	-	-	Peak
332.2	17.3	-28.7	46	32.56	13.88	1.86	31	-	-	Peak
575.8	22.7	-23.3	46	31.14	19.64	2.62	30.7	-	-	Peak
725.6	24.45	-21.55	46	30.12	21.73	3	30.4	-	-	Peak

Note:

1. The amplitude of spurious emissions which are attenuated by more than 20dB below the permissible value has no need to be reported.
2. Emission level (dBμV/m) = 20 log Emission level (μV/m).
3. Corrected Reading: Antenna Factor + Cable Loss + Read Level - Preamp Factor= Level.