

## HAC\_E\_Dipole\_835\_170808

### DUT: HAC-Dipole 835 MHz

Communication System: CW; Frequency: 835 MHz; Duty Cycle: 1:1  
 Medium: Air Medium parameters used:  $\sigma = 0$  S/m,  $\epsilon_r = 1$ ;  $\rho = 0$  kg/m<sup>3</sup>  
 Ambient Temperature : 23.3 °C

#### DASY5 Configuration

- Probe: ER3DV6 - SN2358; ConvF(1, 1, 1); Calibrated: 2017/1/19;
- Sensor-Surface: (Fix Surface)
- Electronics: DAE4 Sn778; Calibrated: 2017/5/22
- Phantom: HAC Test Arch with AMCC; Type: SD HAC P01 BA;
- Measurement SW: DASY52, Version 52.8 (8); SEMCAD X Version 14.6.10 (7373)

### E Scan - measurement distance from the probe sensor center to CD835 = 10mm & 15mm/Hearing Aid Compatibility Test at 15mm distance (41x361x1): Interpolated grid:

dx=0.5000 mm, dy=0.5000 mm

Device Reference Point: 0, 0, -6.3 mm

Reference Value = 117.0 V/m; Power Drift = 0.02 dB

PMR not calibrated. PMF = 1.000 is applied.

E-field emissions = 111.3 V/m

Average value of Total=(111.3+101.7) / 2 = 106.5 V/m

#### PMF scaled E-field

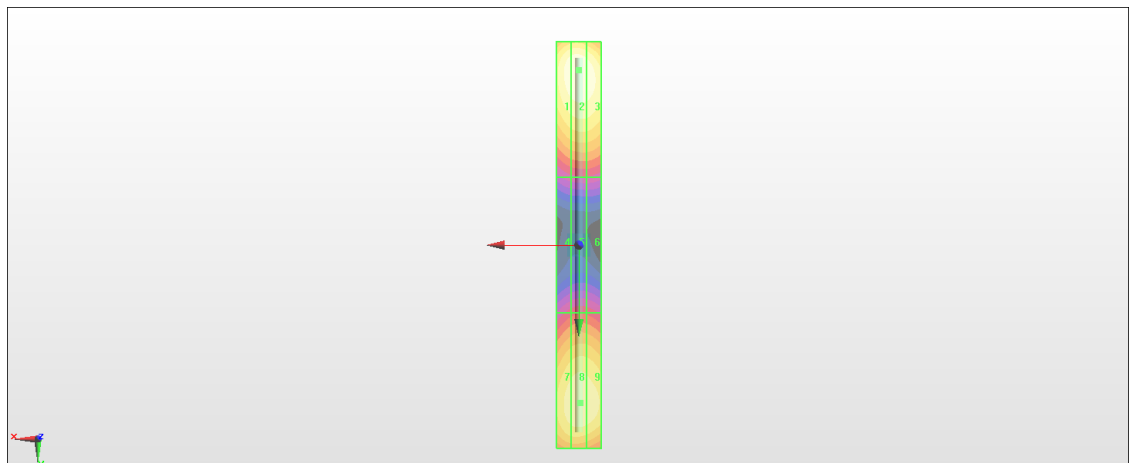
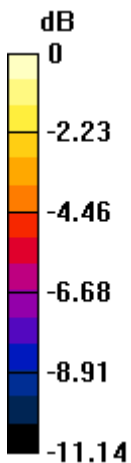
Grid 1 M4 <b>108.8 V/m</b>	Grid 2 M4 <b>111.3 V/m</b>	Grid 3 M4 <b>108.6 V/m</b>
Grid 4 M4 <b>58.86 V/m</b>	Grid 5 M4 <b>60.65 V/m</b>	Grid 6 M4 <b>59.93 V/m</b>
Grid 7 M4 <b>99.17 V/m</b>	Grid 8 M4 <b>101.7 V/m</b>	Grid 9 M4 <b>100.1 V/m</b>

#### Cursor:

Total = 111.3 V/m

E Category: M4

Location: 0, -77.5, 9.7 mm



0 dB = 111.3 V/m = 40.98 dBV/m

# HAC\_E\_Dipole\_1880\_170808

## DUT: HAC Dipole 1880 MHz

Communication System: CW; Frequency: 1880 MHz; Duty Cycle: 1:1  
 Medium: Air Medium parameters used:  $\sigma = 0$  S/m,  $\epsilon_r = 1$ ;  $\rho = 0$  kg/m<sup>3</sup>  
 Ambient Temperature : 23.3 °C

### DASY5 Configuration

- Probe: ER3DV6 - SN2358; ConvF(1, 1, 1); Calibrated: 2017/1/19;
- Sensor-Surface: (Fix Surface)
- Electronics: DAE4 Sn778; Calibrated: 2017/5/22
- Phantom: HAC Test Arch with AMCC; Type: SD HAC P01 BA;
- Measurement SW: DASY52, Version 52.8 (8); SEMCAD X Version 14.6.10 (7373)

### E Scan - measurement distance from the probe sensor center to CD1880 = 10mm & 15mm/Hearing Aid Compatibility Test at 15mm distance (41x181x1): Interpolated grid:

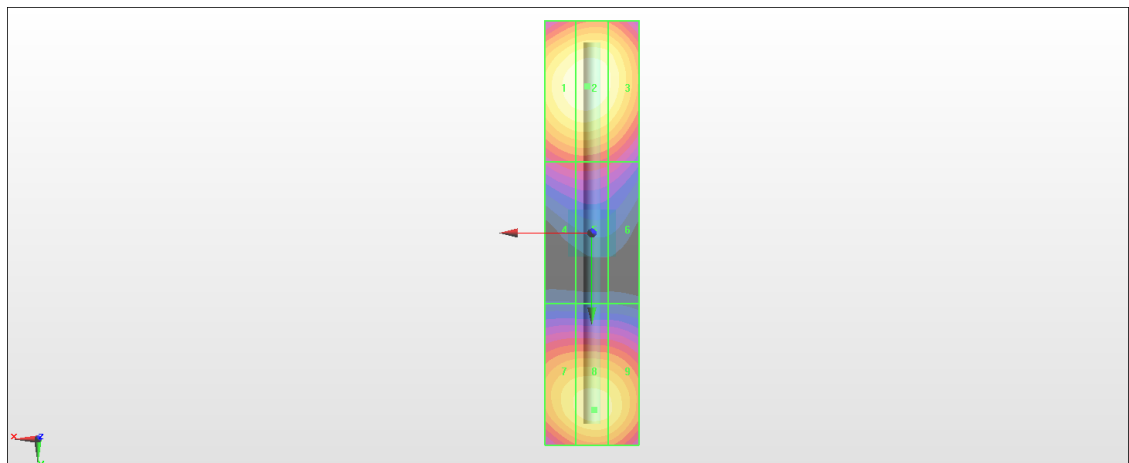
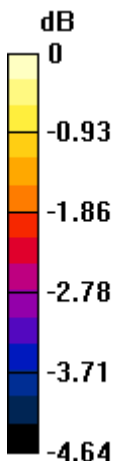
dx=0.5000 mm, dy=0.5000 mm  
 Device Reference Point: 0, 0, -6.3 mm  
 Reference Value = 148.0 V/m; Power Drift = 0.01 dB  
 PMR not calibrated. PMF = 1.000 is applied.  
 E-field emissions = 89.28 V/m  
 Average value of Total=(89.28+83.34) / 2 = 86.31 V/m

PMF scaled E-field

Grid 1 <b>M3</b> <b>88.55 V/m</b>	Grid 2 <b>M3</b> <b>89.28 V/m</b>	Grid 3 <b>M3</b> <b>86.73 V/m</b>
Grid 4 <b>M3</b> <b>69.75 V/m</b>	Grid 5 <b>M3</b> <b>69.95 V/m</b>	Grid 6 <b>M3</b> <b>68.10 V/m</b>
Grid 7 <b>M3</b> <b>83.55 V/m</b>	Grid 8 <b>M3</b> <b>83.34 V/m</b>	Grid 9 <b>M3</b> <b>83.91 V/m</b>

**Cursor:**

Total = 89.28 V/m  
 E Category: M3  
 Location: 1, -31, 9.7 mm



0 dB = 89.28 V/m = 39.01 dBV/m

# HAC\_E\_Dipole\_2600\_170808

## DUT: HAC Dipole 2600 MHz

Communication System: CW ; Frequency: 2600 MHz; Duty Cycle: 1:1

Medium: Air Medium parameters used:  $\sigma = 0$  S/m,  $\epsilon_r = 1$ ;  $\rho = 0$  kg/m<sup>3</sup>

Ambient Temperature : 23.3 °C

### DASY5 Configuration

- Probe: ER3DV6 - SN2358; ConvF(1, 1, 1); Calibrated: 2015/1/26;
- Sensor-Surface: (Fix Surface)
- Electronics: DAE4 Sn778; Calibrated: 2015/8/25
- Phantom: HAC Test Arch with AMCC; Type: SD HAC P01 BA;
- Measurement SW: DASY52, Version 52.8 (8); SEMCAD X Version 14.6.10 (7373)

### E Scan - measurement distance from the probe sensor center to CD2600 = 10mm & 15mm/Hearing Aid Compatibility Test at 15mm distance (41x181x1): Interpolated grid:

dx=0.5000 mm, dy=0.5000 mm

Device Reference Point: 0, 0, -6.3 mm

Reference Value = 74.08 V/m; Power Drift = -0.01 dB

PMR not calibrated. PMF = 1.000 is applied.

E-field emissions = 93.61 V/m

Average value of Total=(93.61+84.24) / 2 = 88.925 V/m

### PMF scaled E-field

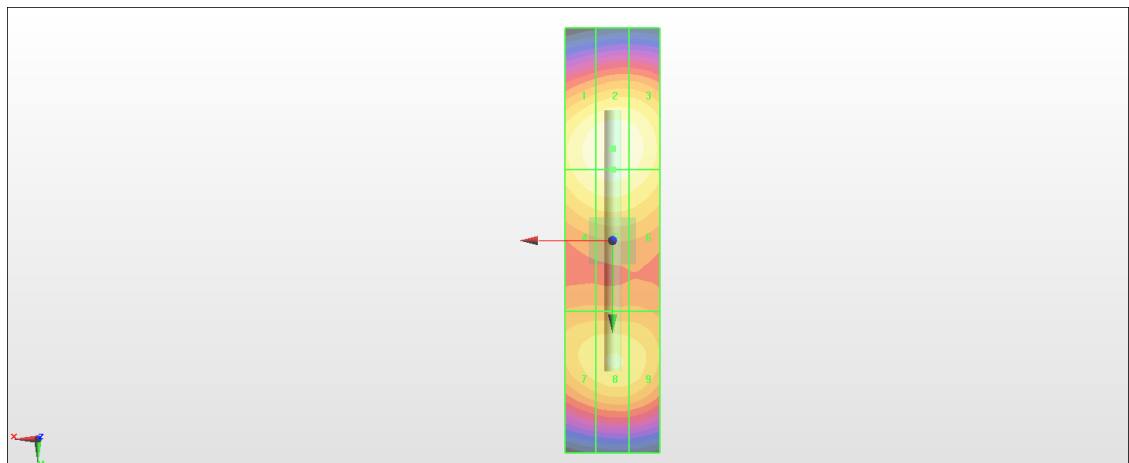
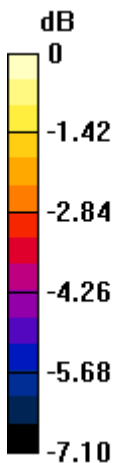
Grid 1 <b>M3</b> <b>91.95 V/m</b>	Grid 2 <b>M3</b> <b>93.61 V/m</b>	Grid 3 <b>M3</b> <b>92.22 V/m</b>
Grid 4 <b>M3</b> <b>89.90 V/m</b>	Grid 5 <b>M3</b> <b>91.22 V/m</b>	Grid 6 <b>M3</b> <b>89.78 V/m</b>
Grid 7 <b>M3</b> <b>82.89 V/m</b>	Grid 8 <b>M3</b> <b>84.24 V/m</b>	Grid 9 <b>M3</b> <b>83.47 V/m</b>

### Cursor:

Total = 93.61 V/m

E Category: M3

Location: 0, -19.5, 9.7 mm



0 dB = 93.61 V/m = 39.43 dBV/m